



US00D926233S

(12) **United States Design Patent**  
**Farley et al.**

(10) **Patent No.:** **US D926,233 S**

(45) **Date of Patent:** **\*\* Jul. 27, 2021**

(54) **CALIBRATION BATH**

(71) Applicant: **Fluke Corporation**, Everett, WA (US)

(72) Inventors: **David W. Farley**, Orem, UT (US);  
**Matthew B. Marzynski**, Seattle, WA (US)

(73) Assignee: **Fluke Corporation**, Everett, WA (US)

(\*\*) Term: **15 Years**

(21) Appl. No.: **29/703,119**

(22) Filed: **Aug. 23, 2019**

**Related U.S. Application Data**

(62) Division of application No. 29/592,987, filed on Feb. 3, 2017, now Pat. No. Des. 862,527.

(51) **LOC (13) Cl.** ..... **15-07**

(52) **U.S. Cl.**  
USPC ..... **D15/79**

(58) **Field of Classification Search**

USPC ..... D15/79-91  
CPC ..... F24F 11/30; F24F 11/62; F24F 2110/10;  
F24F 11/46; F24F 11/56; F24F 2110/00;  
F24F 11/58; F24F 2140/60; F24F 11/52;  
F24F 11/32; F24F 11/63; F24F 11/64;  
F24F 2006/008; F24F 3/14; F24F 11/59;  
F24F 11/70; F24F 11/83; F24F 13/28;  
F24F 1/0007; F24F 2110/20; F24F  
2120/10; F24F 2120/20; F24F 2140/50;  
F24F 11/0001; F24F 11/54; F24F 11/61;  
F24F 11/76; F24F 11/85; F24F 11/88;  
F24F 11/89; F24F 13/20; F24F 13/24;  
F24F 1/02; F24F 1/022; F24F 1/08; F24F  
1/12; F24F 1/32; F24F 2006/046; F24F  
2110/70; F24F 2120/12; F24F 2120/14;  
F24F 2130/00; F24F 2130/10; F24F  
2130/30; F24F 2221/12; F24F 3/147;  
F24F 3/1603; F24F 5/0035; F24F 6/02;  
F24F 6/04; F24F 6/043; F24F 6/10; F24F  
6/12; F24F 6/14; F24F 7/08

See application file for complete search history.

(56) **References Cited**

U.S. PATENT DOCUMENTS

2,262,261 A 11/1941 Smith  
2,566,865 A 9/1951 Wingerter  
D312,469 S 11/1990 Blacker et al.

(Continued)

*Primary Examiner* — Khawaja Anwar

(74) *Attorney, Agent, or Firm* — Seed Intellectual Property Law Group LLP

(57) **CLAIM**

The ornamental design for a calibration bath, as shown and described.

**DESCRIPTION**

FIG. 1 is a top front right perspective view of a calibration bath showing our new design.

FIG. 2 is a bottom rear left perspective view thereof.

FIG. 3 is a front elevation view thereof.

FIG. 4 is a right side elevation view thereof.

FIG. 5 is a left side elevation view thereof.

FIG. 6 is a top plan view thereof.

FIG. 7 is a rear elevation view thereof.

FIG. 8 is a bottom plan view thereof.

FIG. 9 is a top front right perspective view of another embodiment of a calibration bath showing our new design.

FIG. 10 is a bottom rear left perspective view thereof.

FIG. 11 is a front elevation view thereof.

FIG. 12 is a right side elevation view thereof.

FIG. 13 is a left side elevation view thereof.

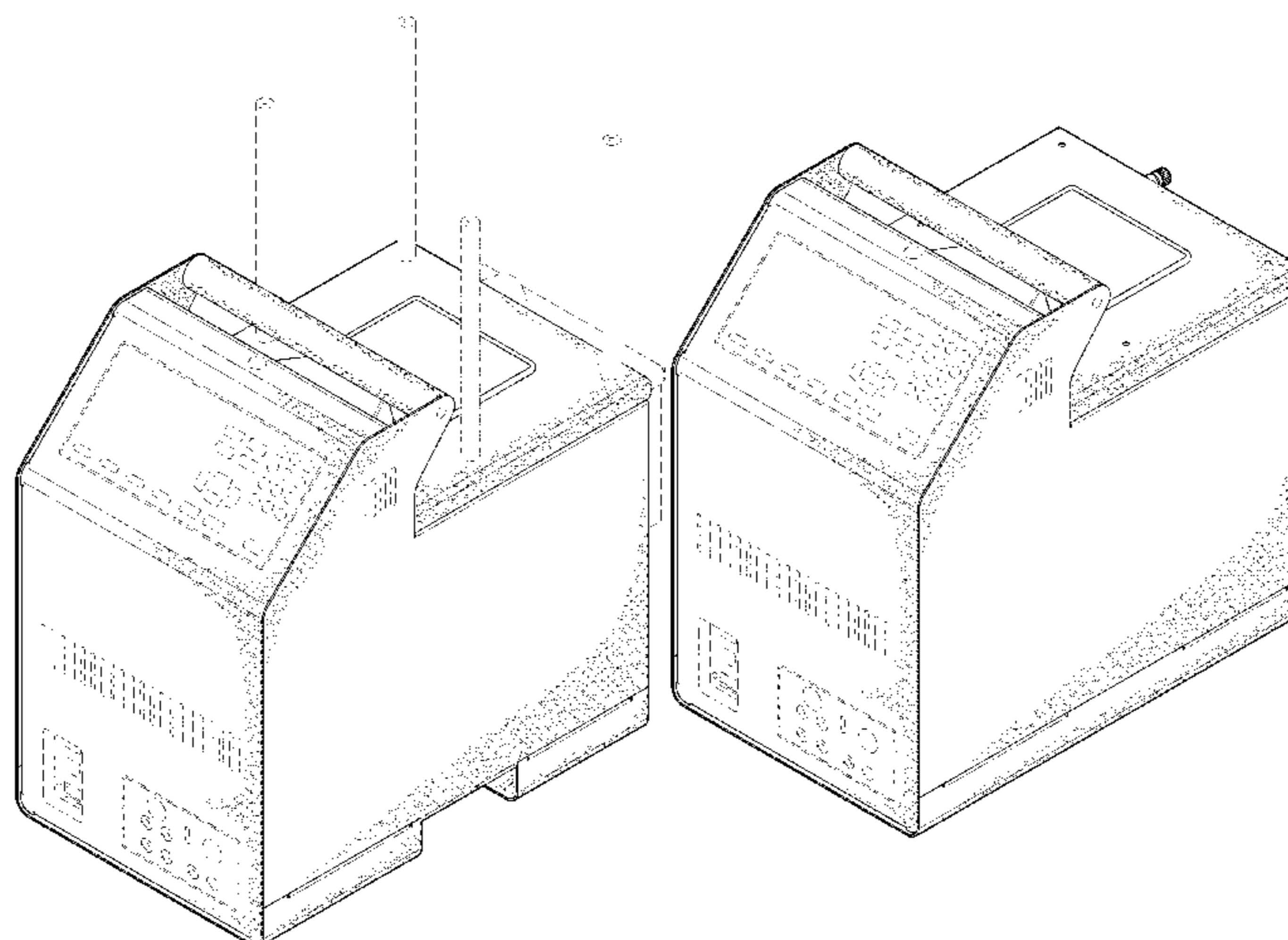
FIG. 14 is a top plan view thereof.

FIG. 15 is a rear elevation view thereof; and,

FIG. 16 is a bottom plan view thereof.

The broken lines in the figures illustrate environment and/or aspects of the calibration bath that form no part of the claimed design.

**1 Claim, 16 Drawing Sheets**



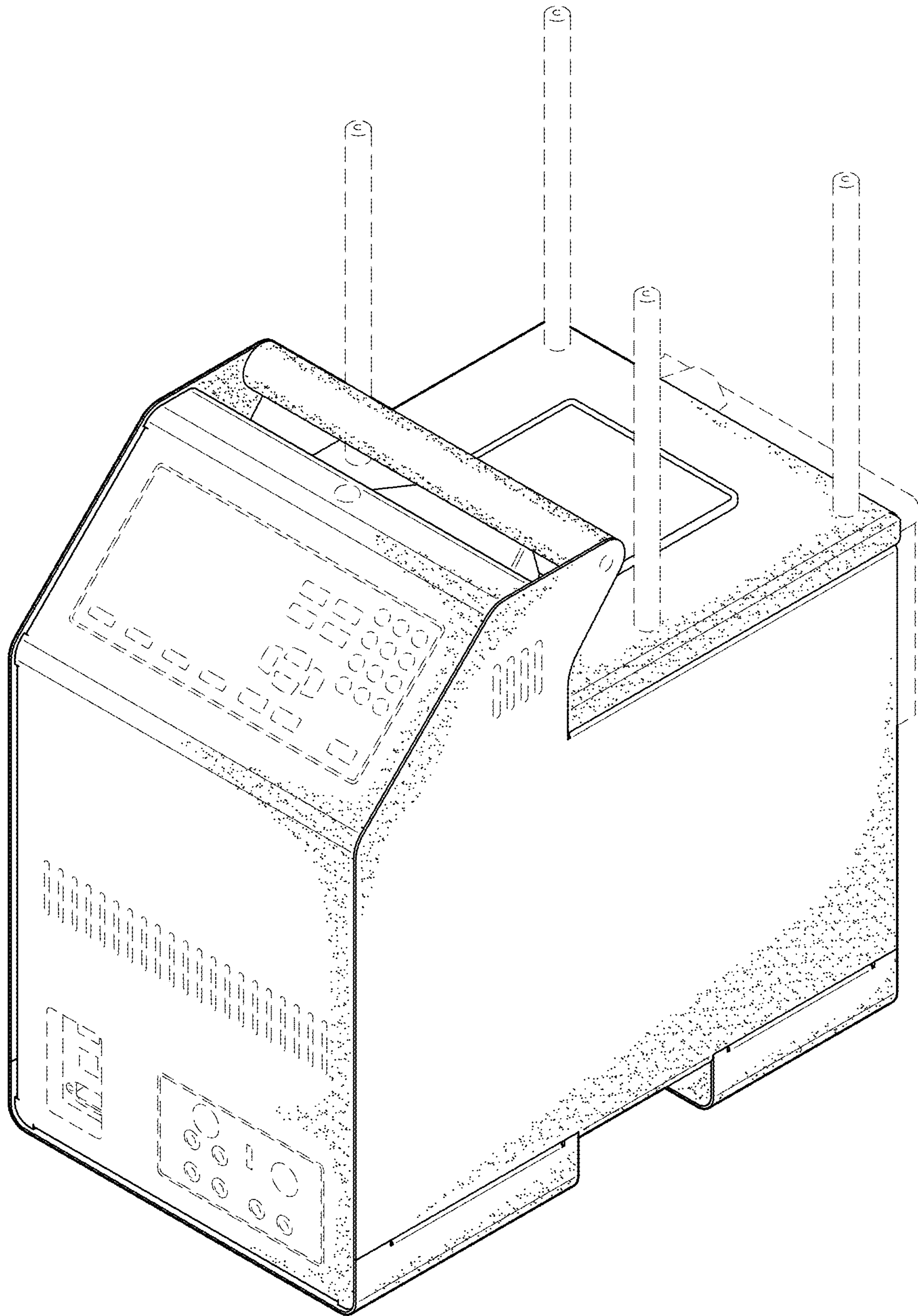
(56)

**References Cited**

U.S. PATENT DOCUMENTS

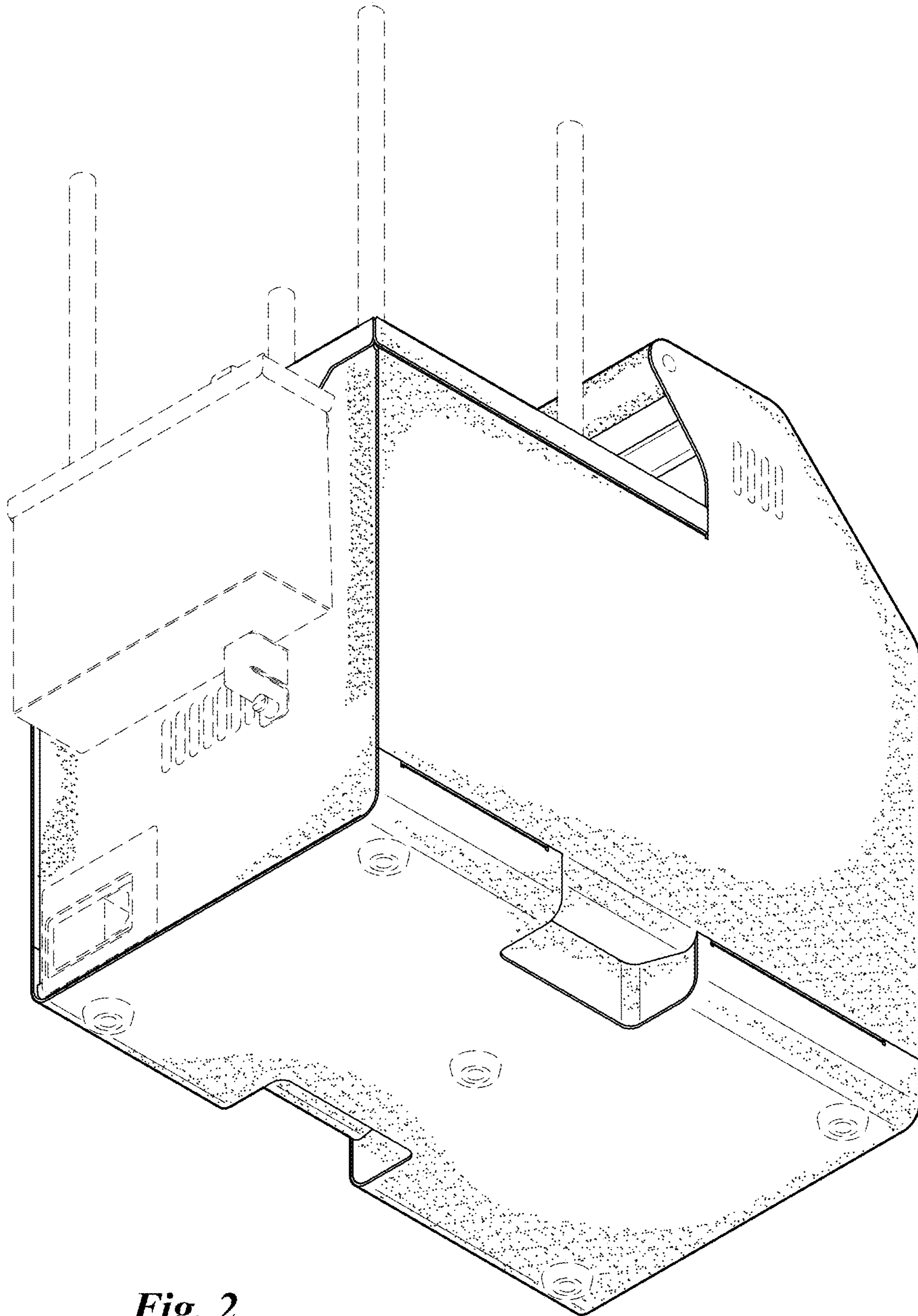
D622,533 S *	8/2010	Gross .....	D7/301
D762,743 S	8/2016	Fan	
D774,568 S	12/2016	Bonney et al.	
D832,311 S	10/2018	Twiggar, III et al.	
D834,073 S	11/2018	Adomat	
D839,930 S	2/2019	Fischbach et al.	
D854,588 S *	7/2019	Black .....	D15/81
D860,268 S *	9/2019	Jakobsen .....	D15/81
D862,527 S *	10/2019	Farley .....	D15/79
D895,060 S *	9/2020	Qin .....	D23/209
D902,964 S *	11/2020	Lozano .....	D15/81
D903,727 S *	12/2020	Adjabeng .....	D15/79
D903,729 S *	12/2020	Etgar .....	D15/79

\* cited by examiner

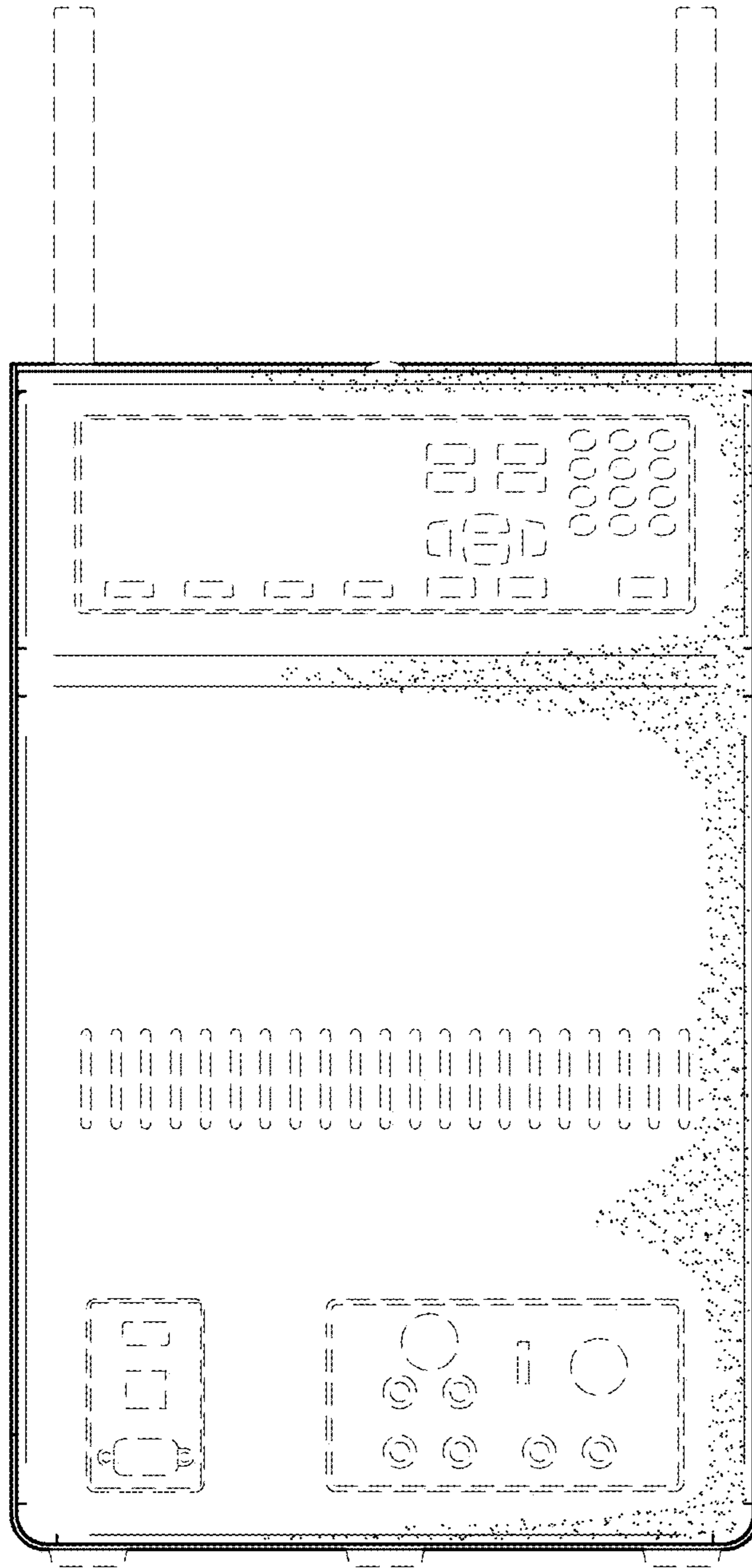


*Fig. 1*

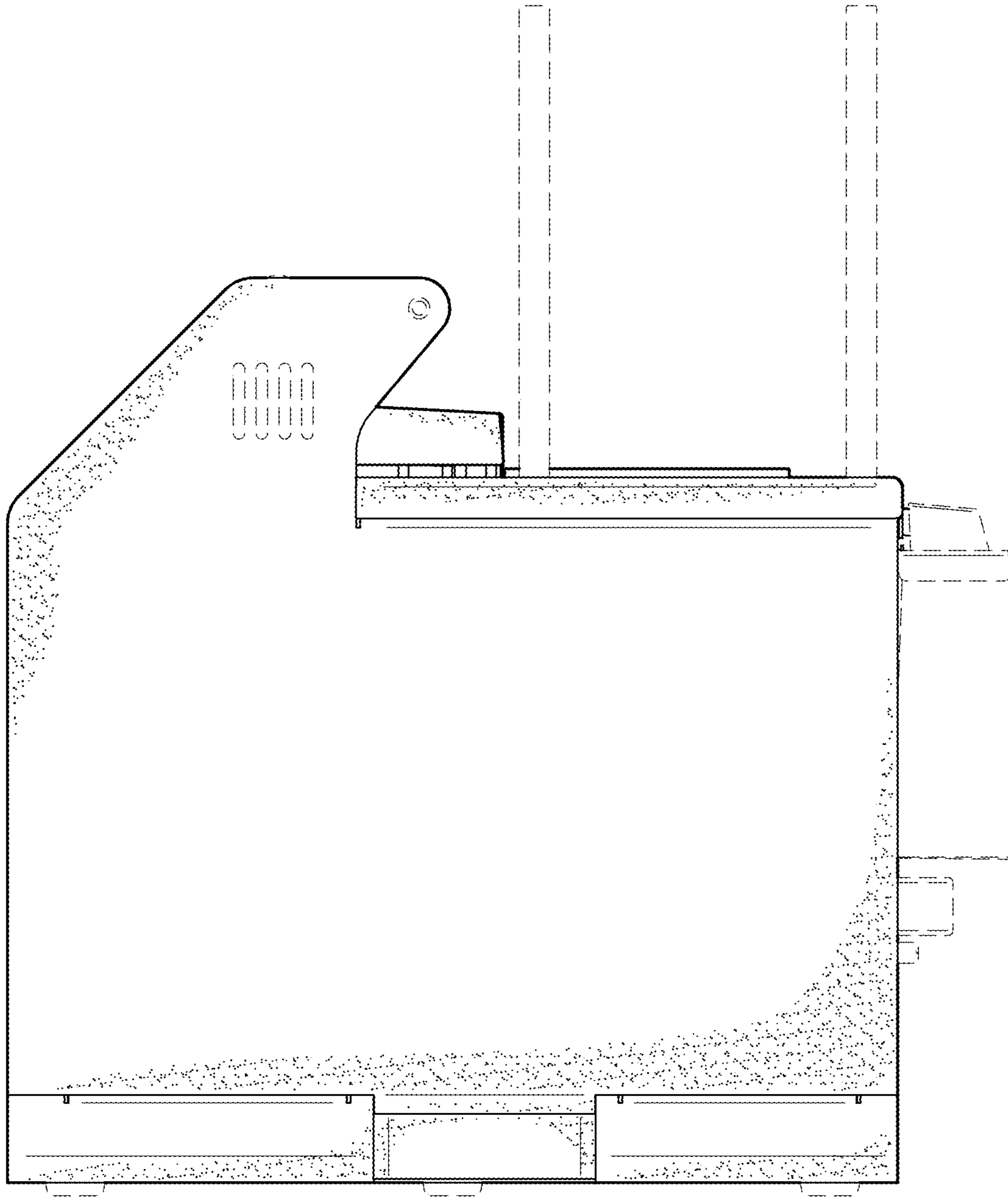




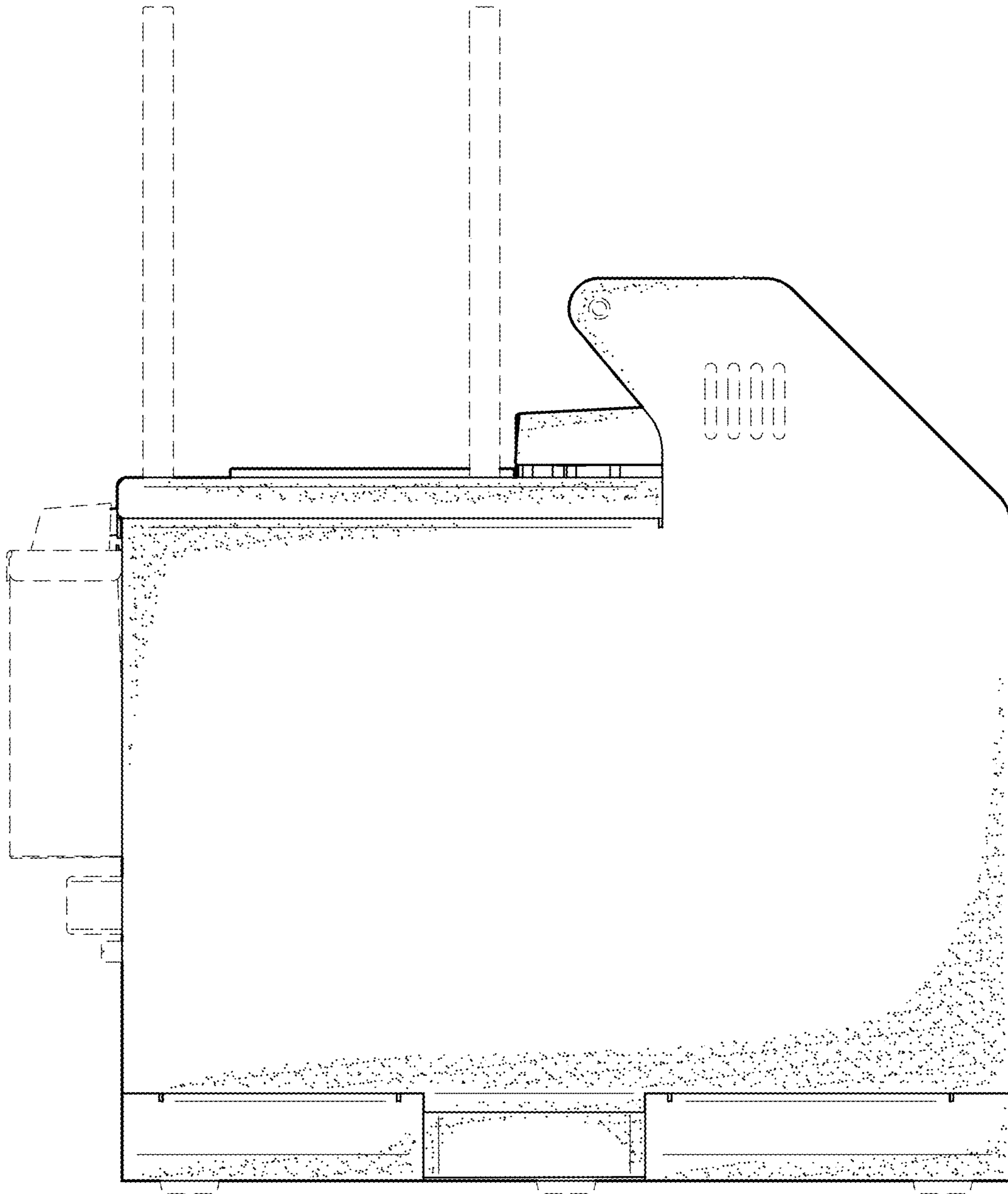
*Fig. 2*



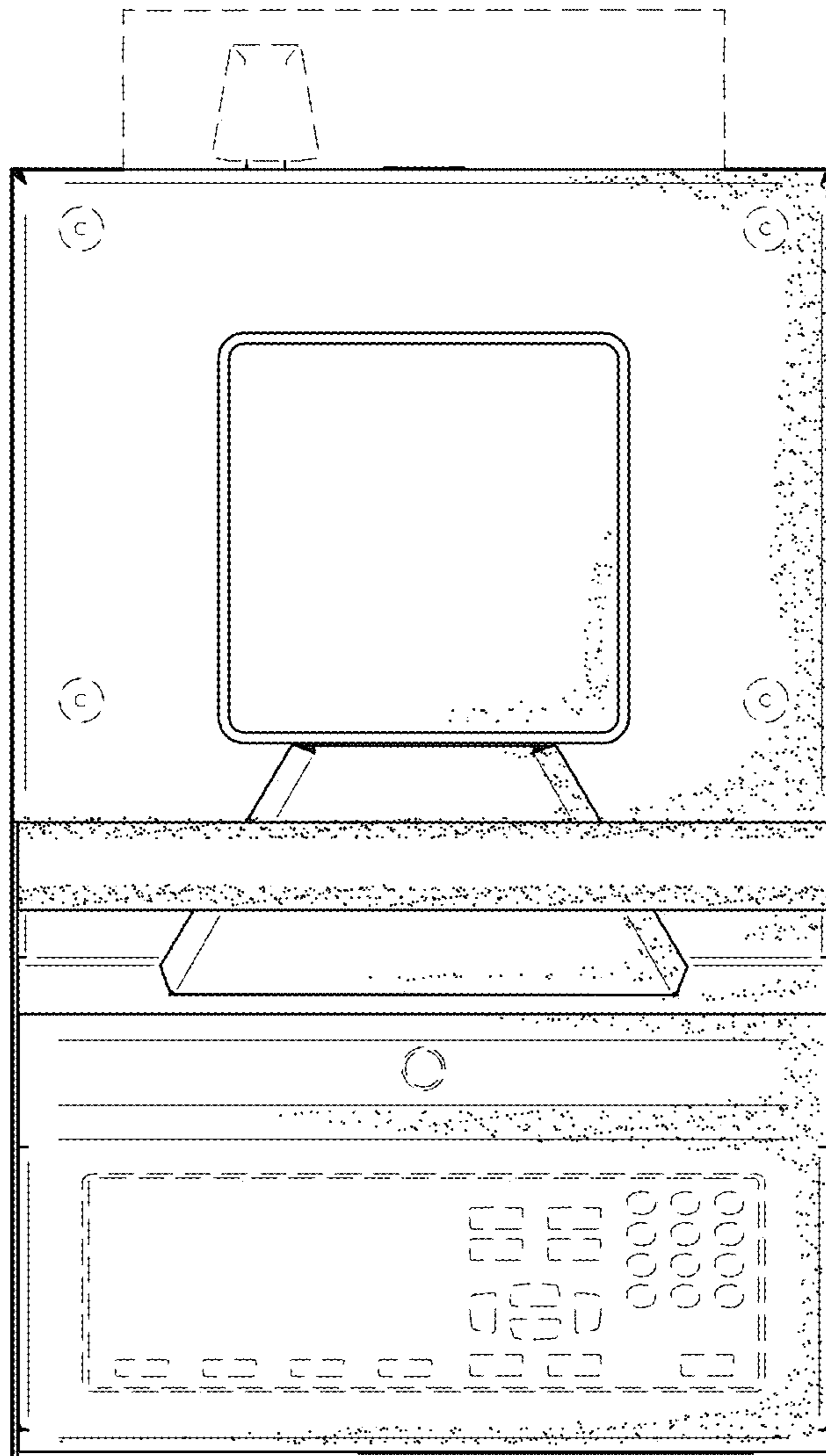
*Fig. 3*



*Fig. 4*

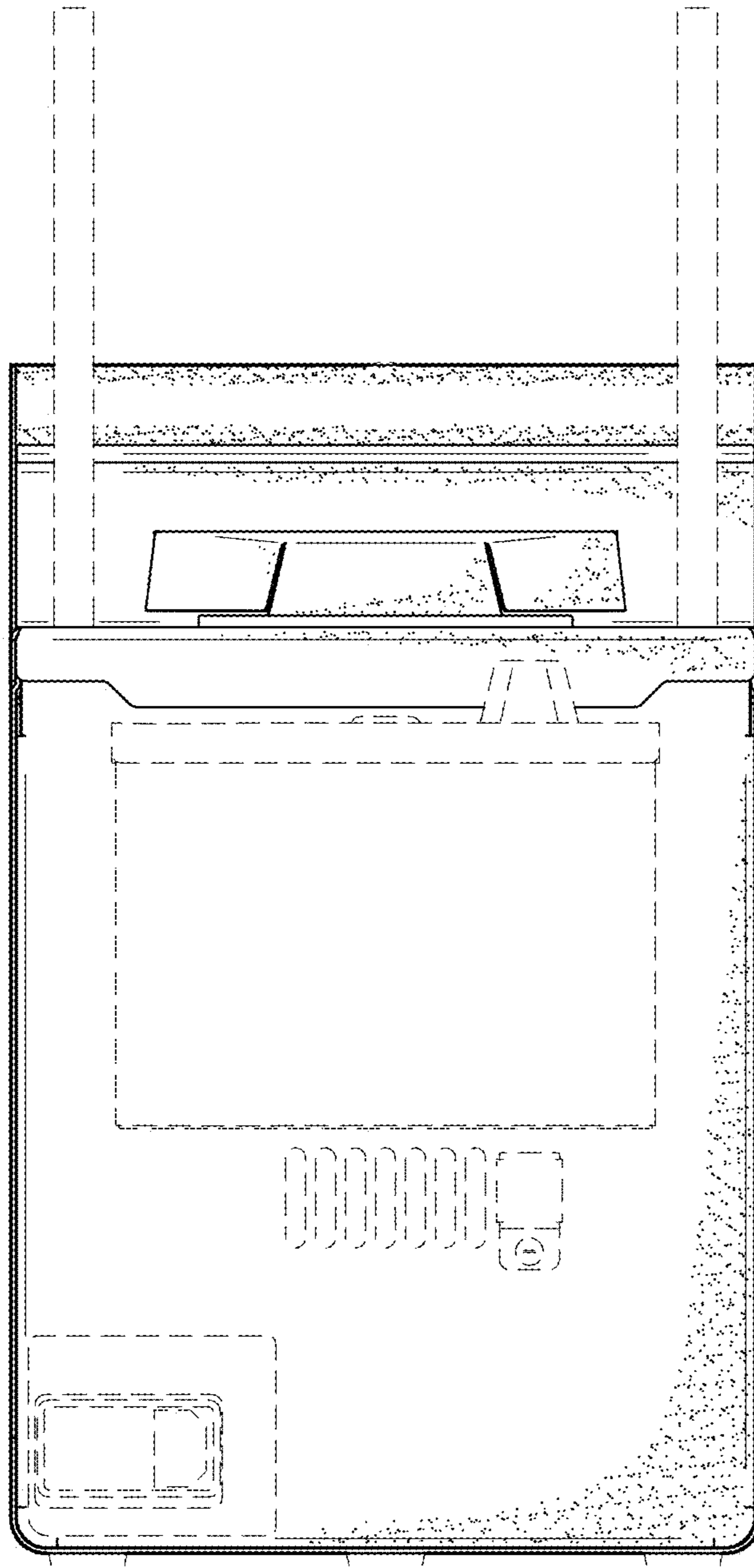


*Fig. 5*

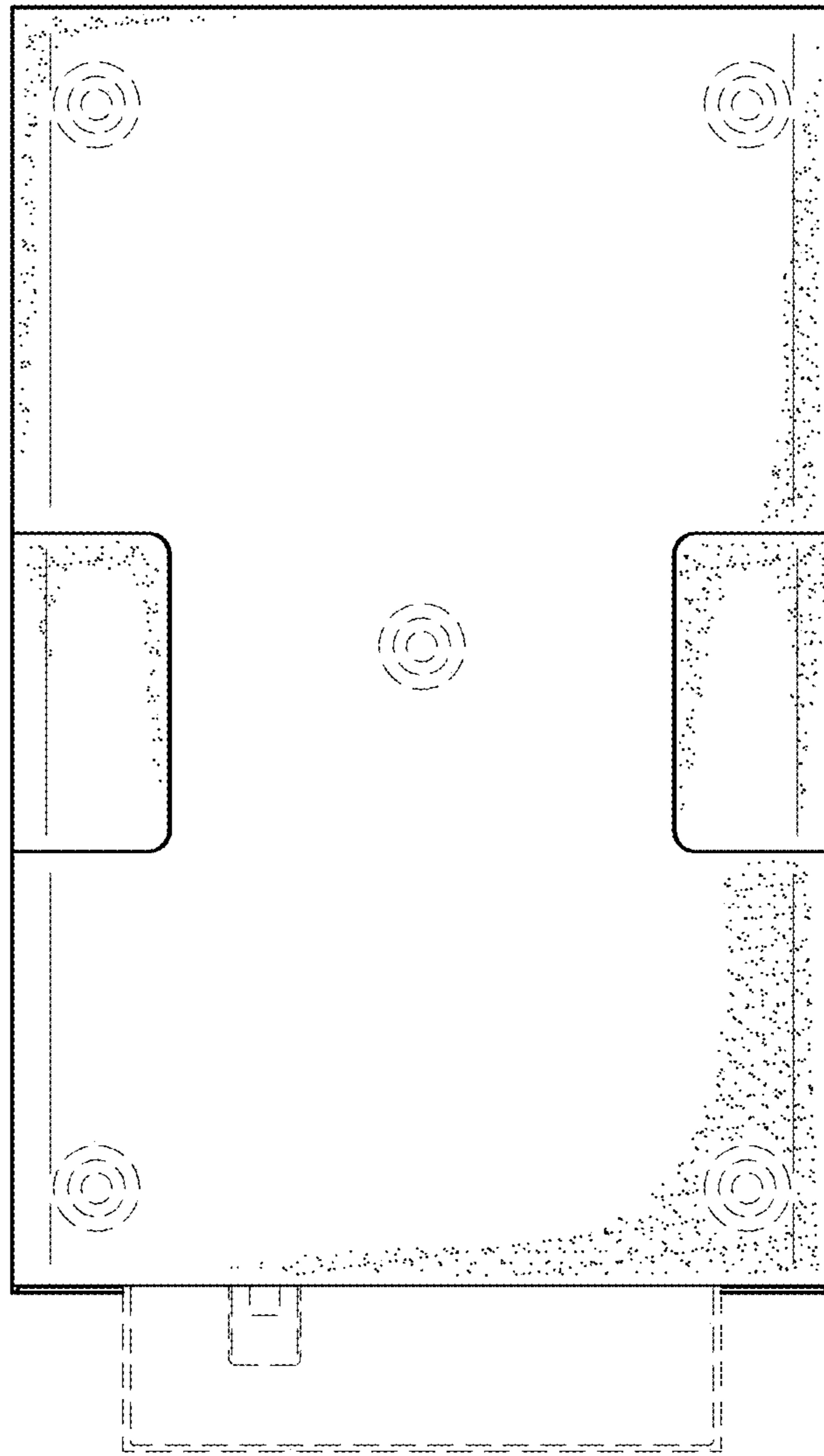


*Fig. 6*

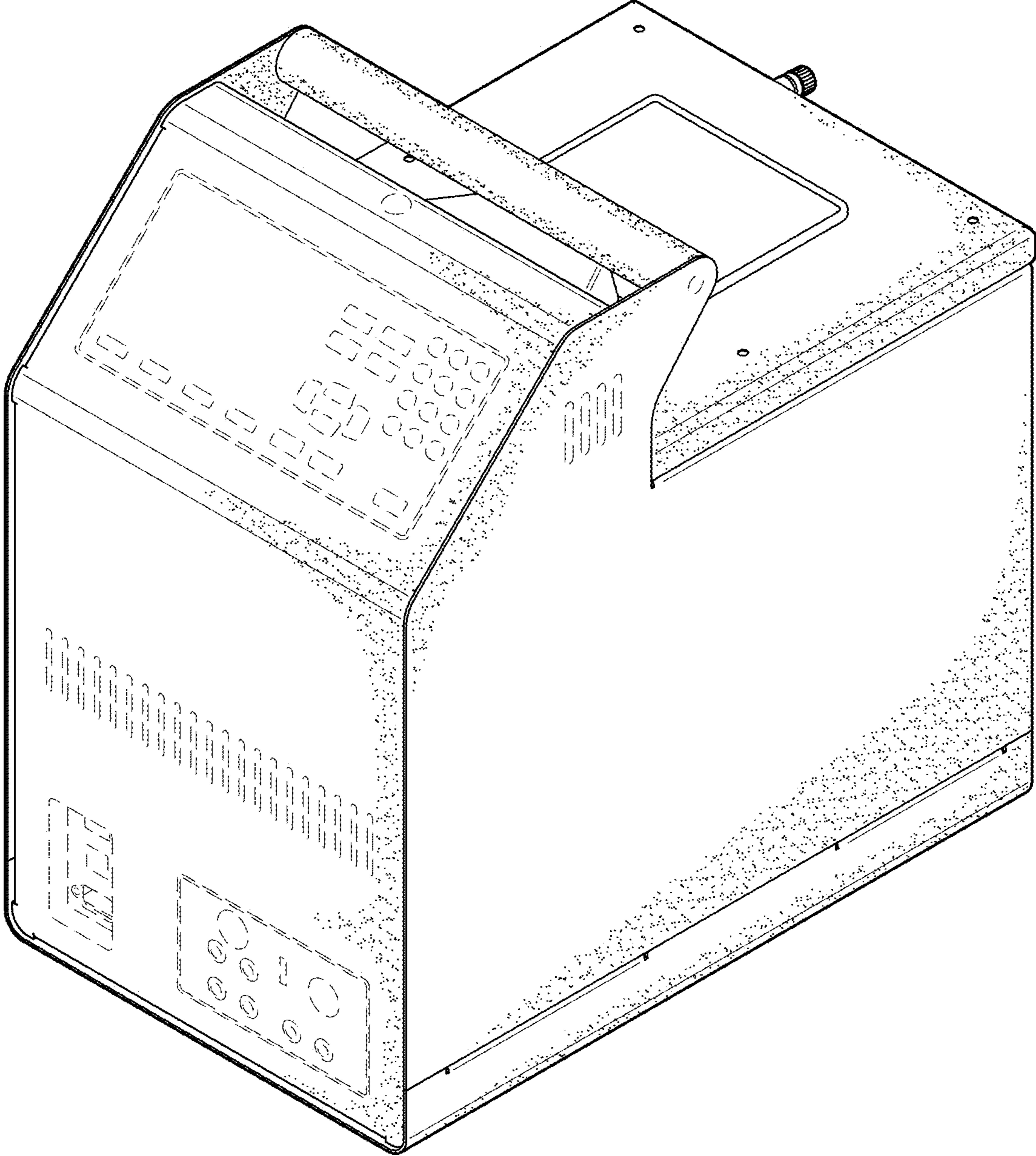




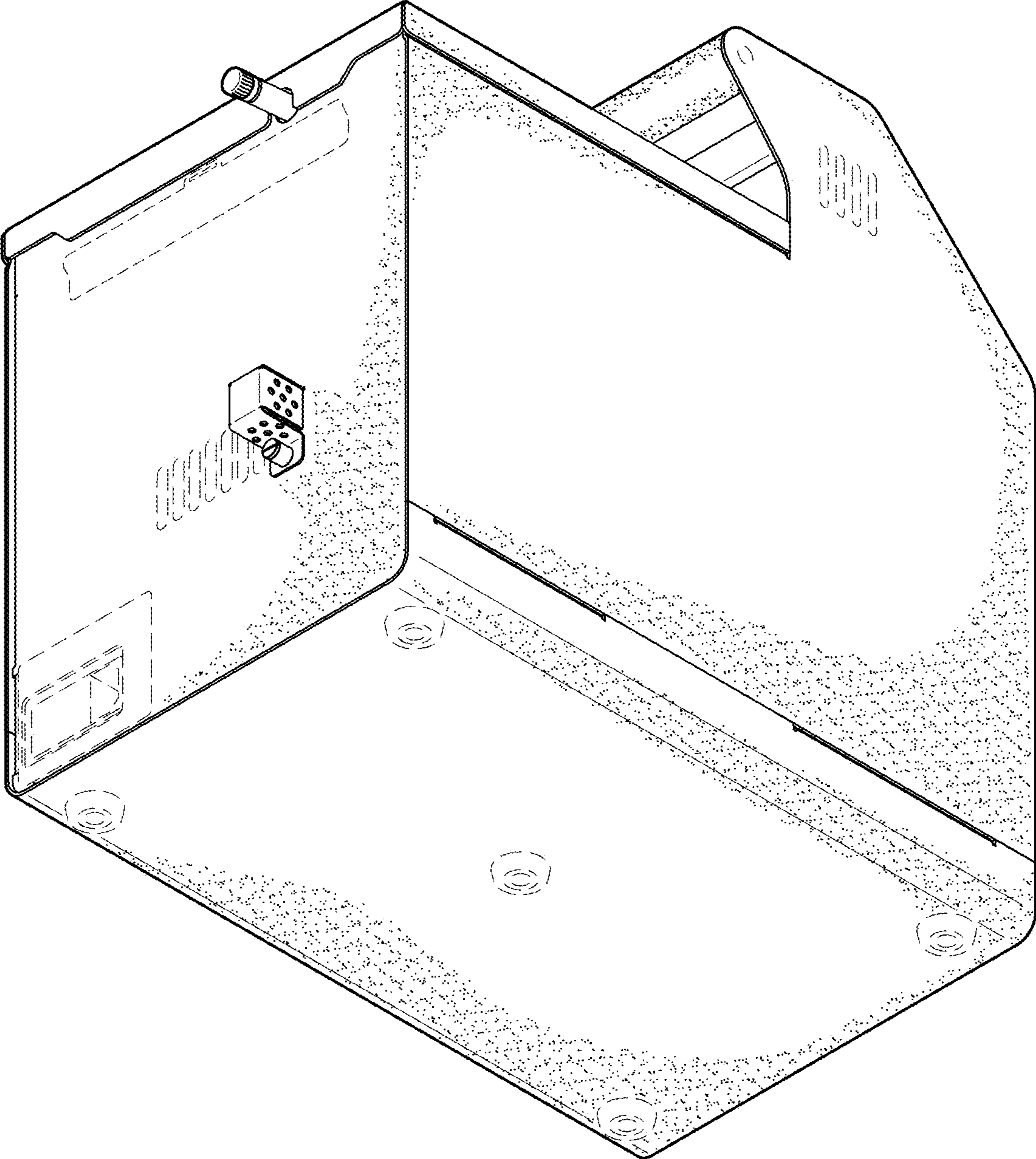
*Fig. 7*



*Fig. 8*

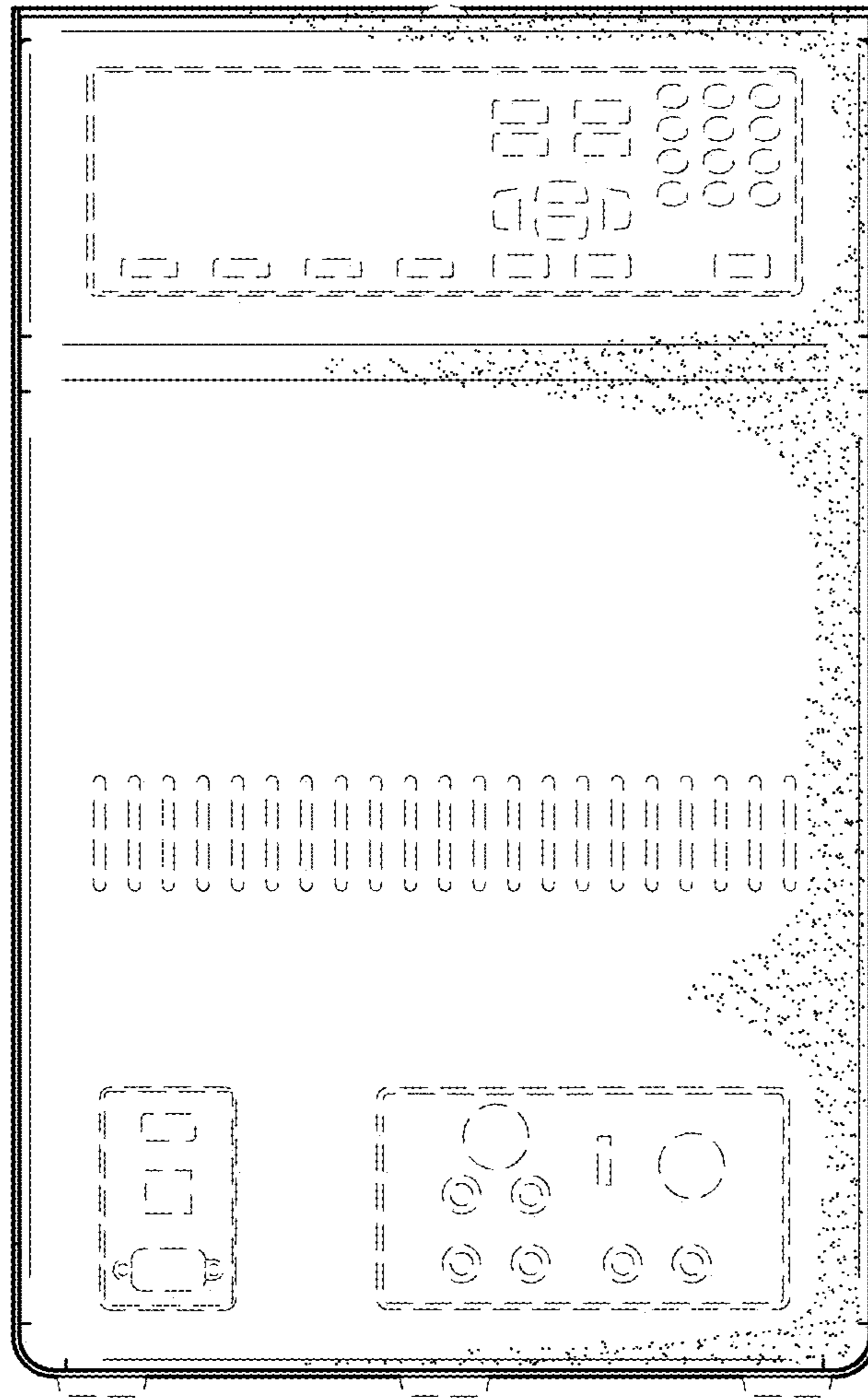


*Fig. 9*

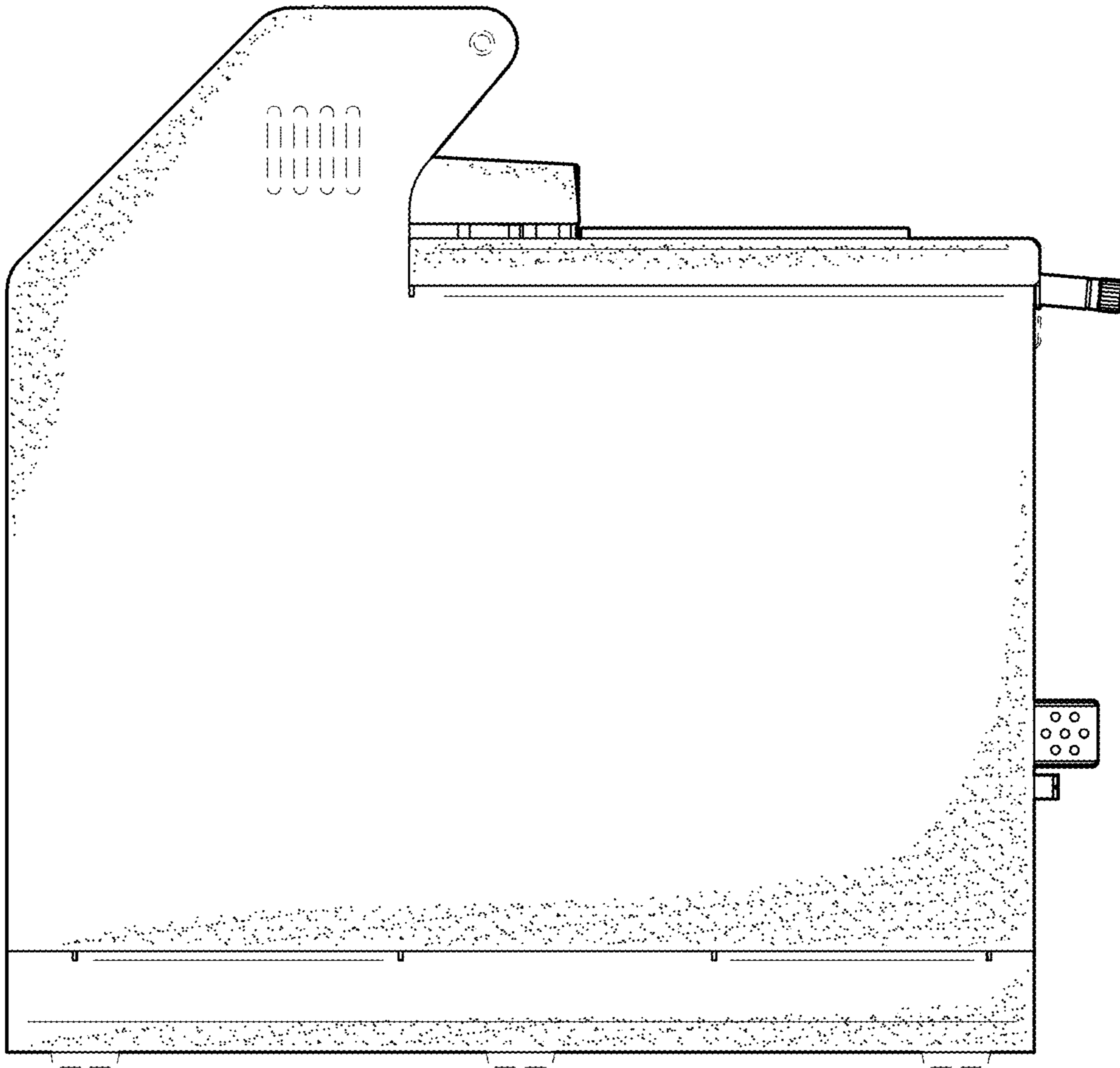


*Fig. 10*

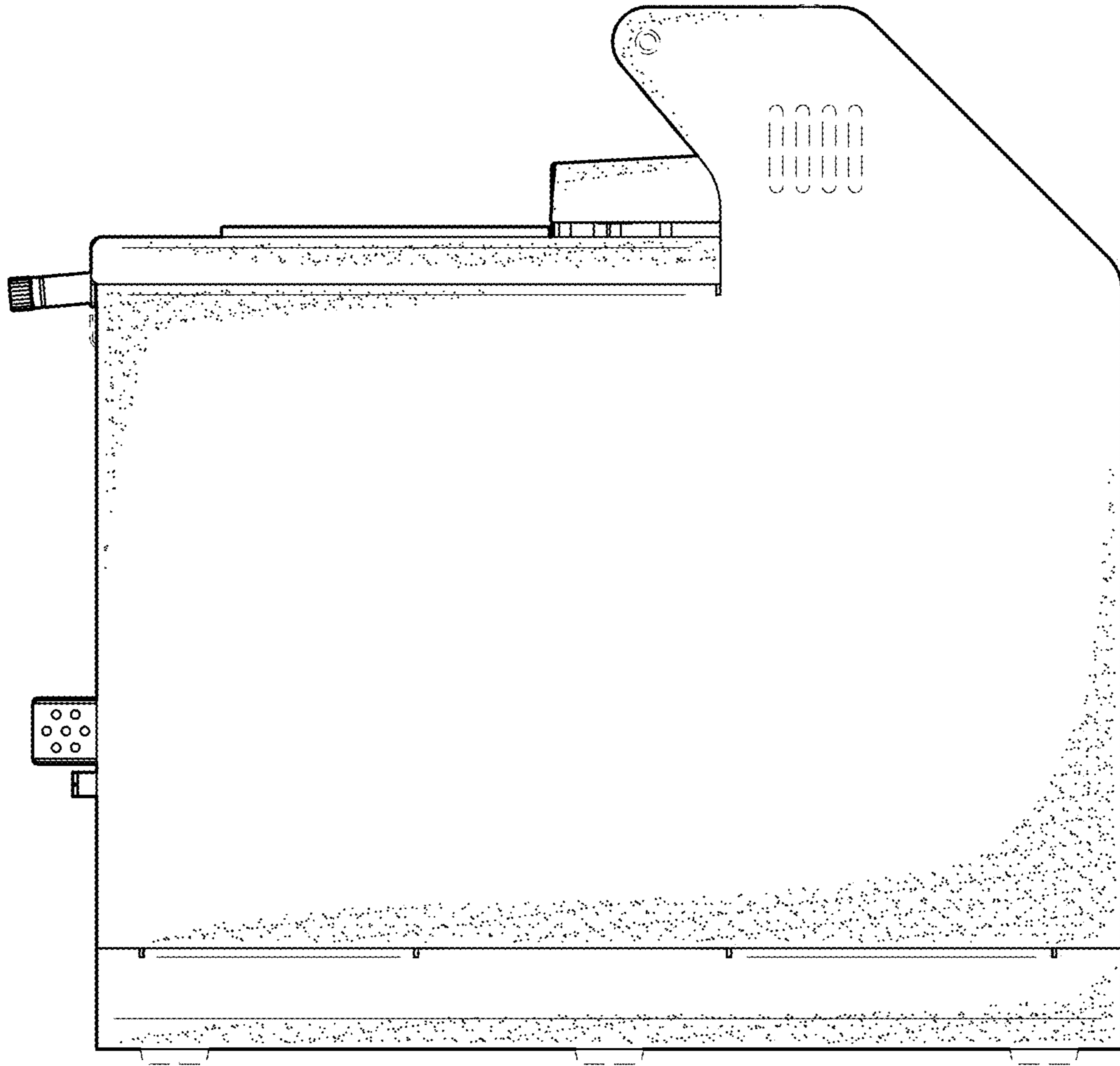




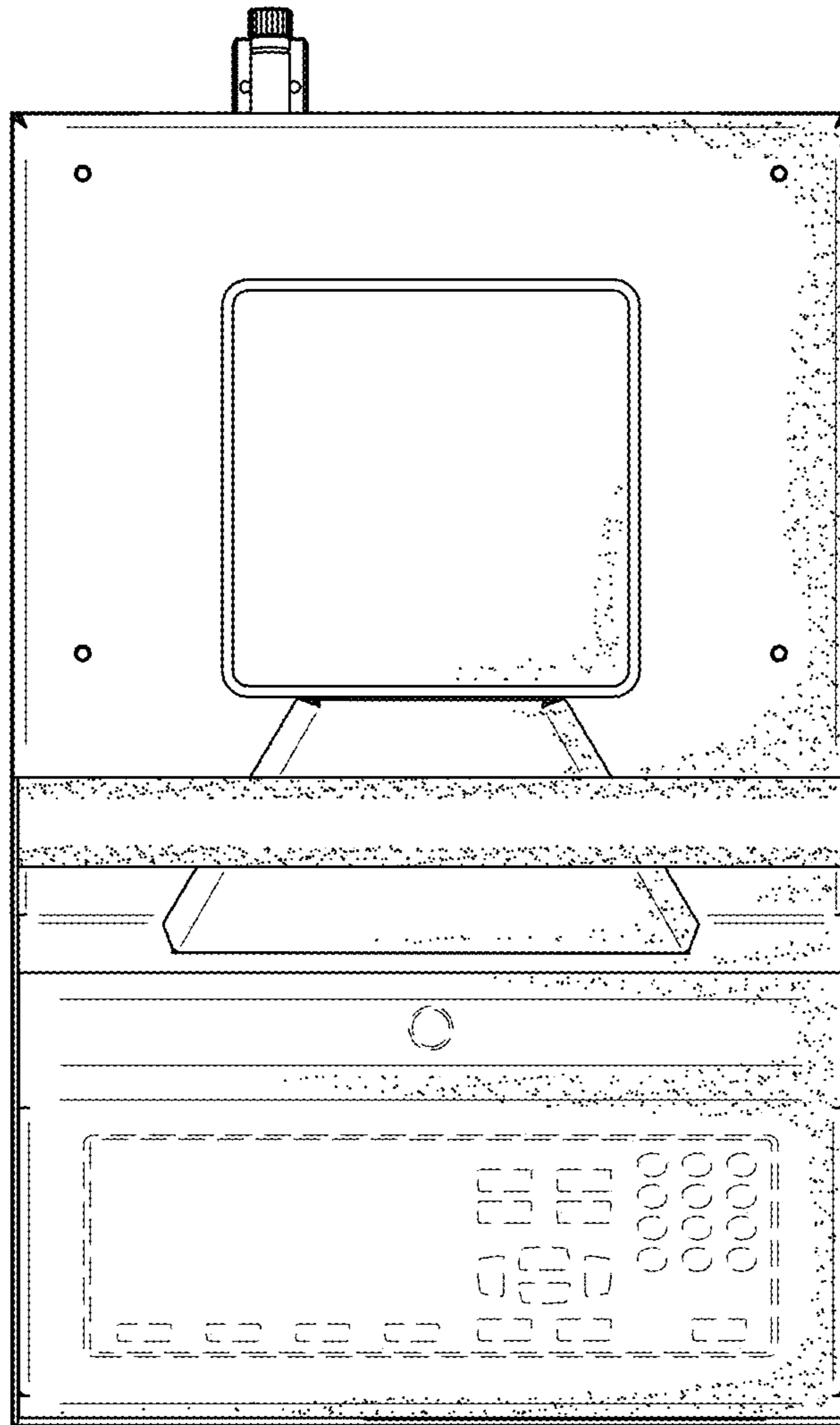
*Fig. 11*



*Fig. 12*

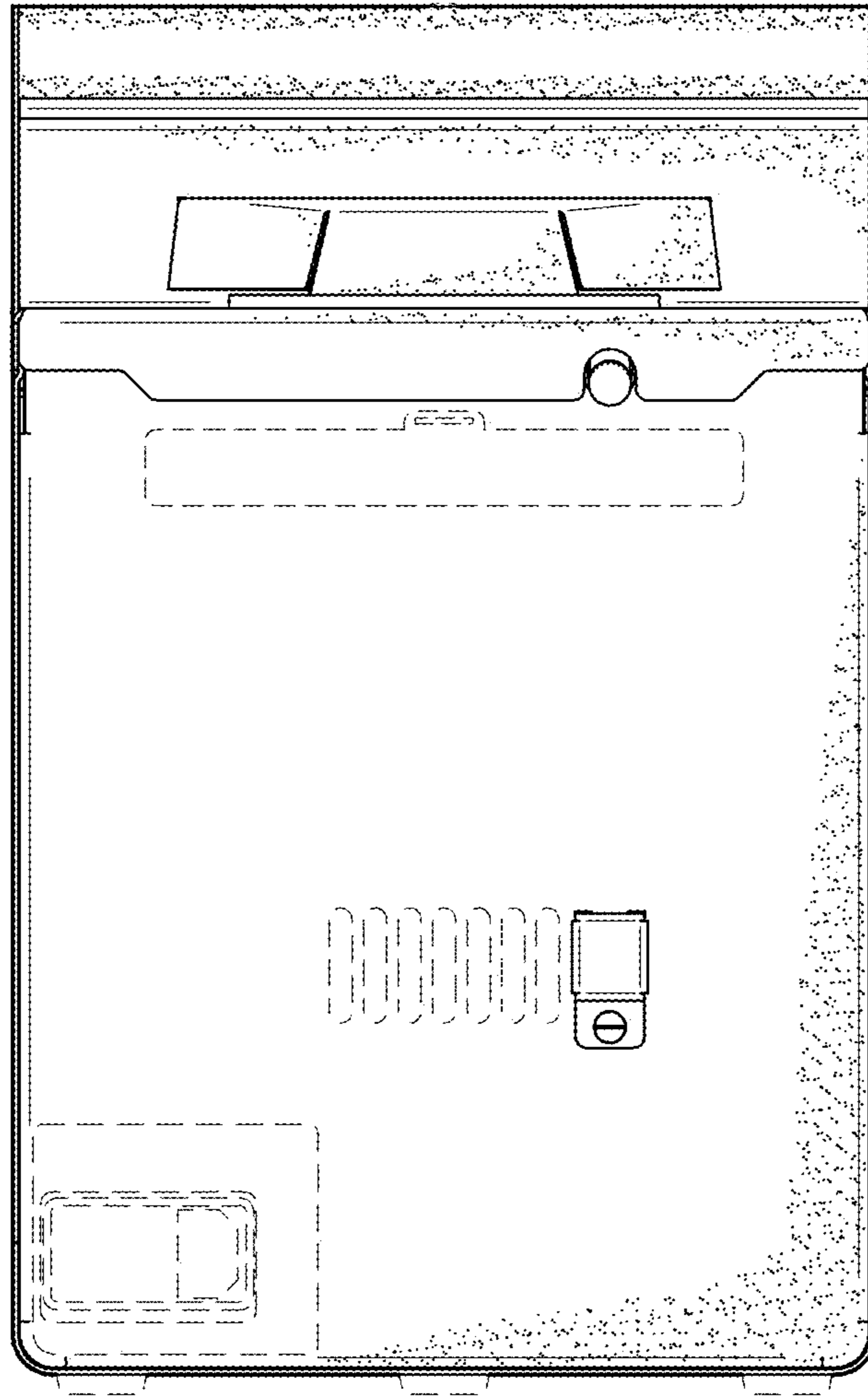


*Fig. 13*

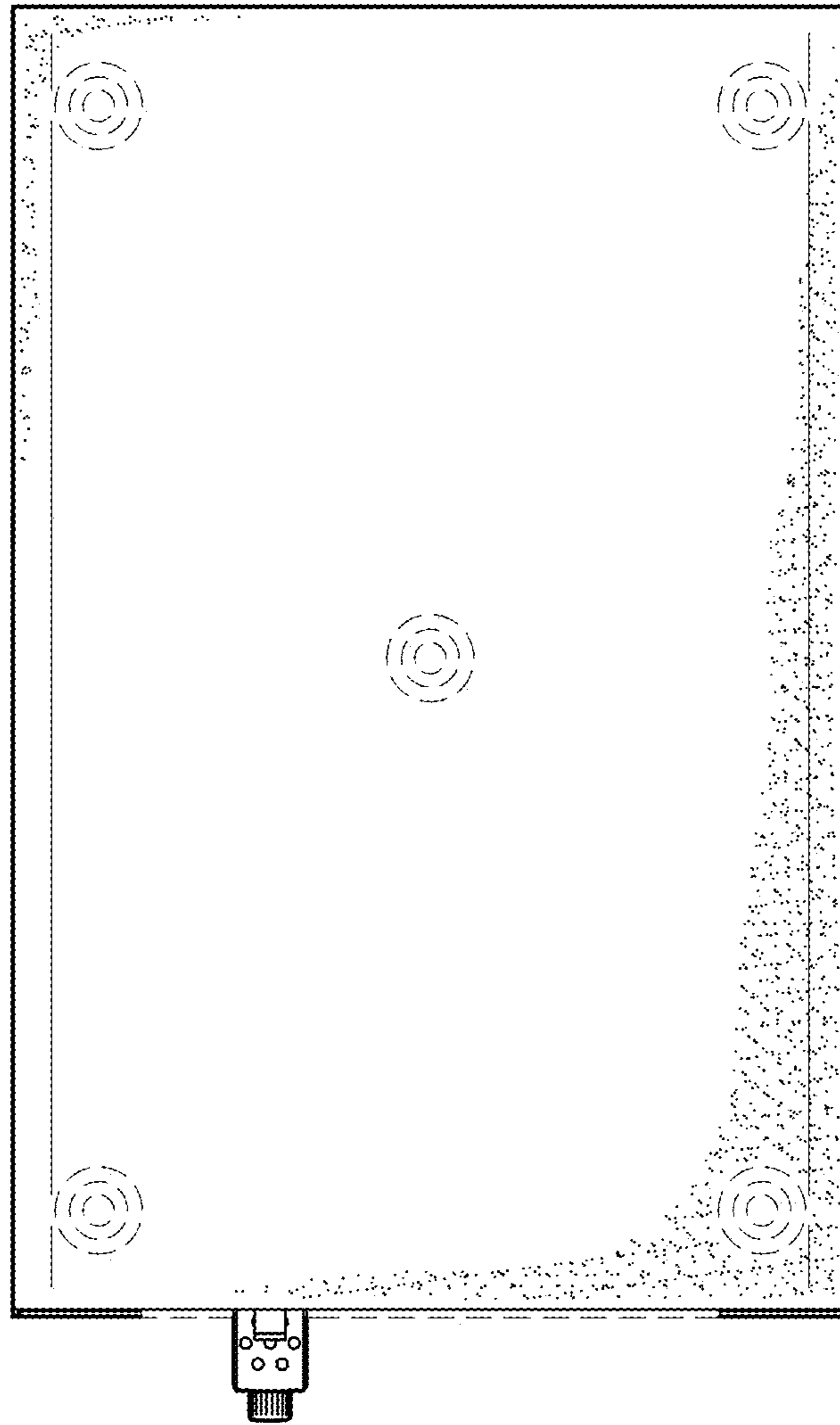


*Fig. 14*





*Fig. 15*



*Fig. 16*