



US00D926232S

(12) **United States Design Patent** (10) **Patent No.:** **US D926,232 S**  
**Nam** (45) **Date of Patent:** **\*\* Jul. 27, 2021**

(54) **RUBBER TRACK**  
(71) Applicant: **DRB INDUSTRIAL CO., LTD.**, Busan (KR)  
(72) Inventor: **YoonTae Nam**, Busan (KR)  
(73) Assignee: **DRB INDUSTRIAL CO., LTD.**, Busan (KR)  
(\*\*) Term: **15 Years**

D694,283 S \* 11/2013 Shimozono ..... D15/28  
D723,070 S \* 2/2015 Sugihara ..... D15/28  
D724,628 S \* 3/2015 Tateishi ..... D15/28  
D738,405 S \* 9/2015 Meyer ..... D15/28  
D768,033 S \* 10/2016 Degtyarev ..... D12/7  
D821,453 S \* 6/2018 Nagamoto ..... D15/28  
D827,680 S \* 9/2018 Choi ..... D15/28  
D827,681 S \* 9/2018 Choi ..... D15/28  
D881,752 S \* 4/2020 Degtyarev ..... D12/7  
D887,896 S \* 6/2020 Degtyarev ..... D12/7  
D902,963 S \* 11/2020 Wood ..... D15/28  
D906,879 S \* 1/2021 Dandurand ..... D12/7  
2017/0210436 A1\* 7/2017 Brazier ..... B62D 55/10

(21) Appl. No.: **29/723,565**  
(22) Filed: **Feb. 7, 2020**  
(51) **LOC (13) Cl.** ..... **15-03**  
(52) **U.S. Cl.**  
USPC ..... **D15/28**  
(58) **Field of Classification Search**  
USPC .... D15/22-26, 28; D21/491, 495, 537, 431, D21/484  
CPC .... B62D 55/244; B62D 55/26; B62D 55/088; B62D 55/24; B62D 55/084; B62D 55/14; B62D 55/02; B62D 55/125; B62D 55/08; B62D 55/00  
See application file for complete search history.

\* cited by examiner

*Primary Examiner* — Mark A Goodwin  
*Assistant Examiner* — Benjamin M Weeks  
(74) *Attorney, Agent, or Firm* — Novick, Kim & Lee, PLLC; Jae Youn Kim; Hyun Woo Shin

(57) **CLAIM**

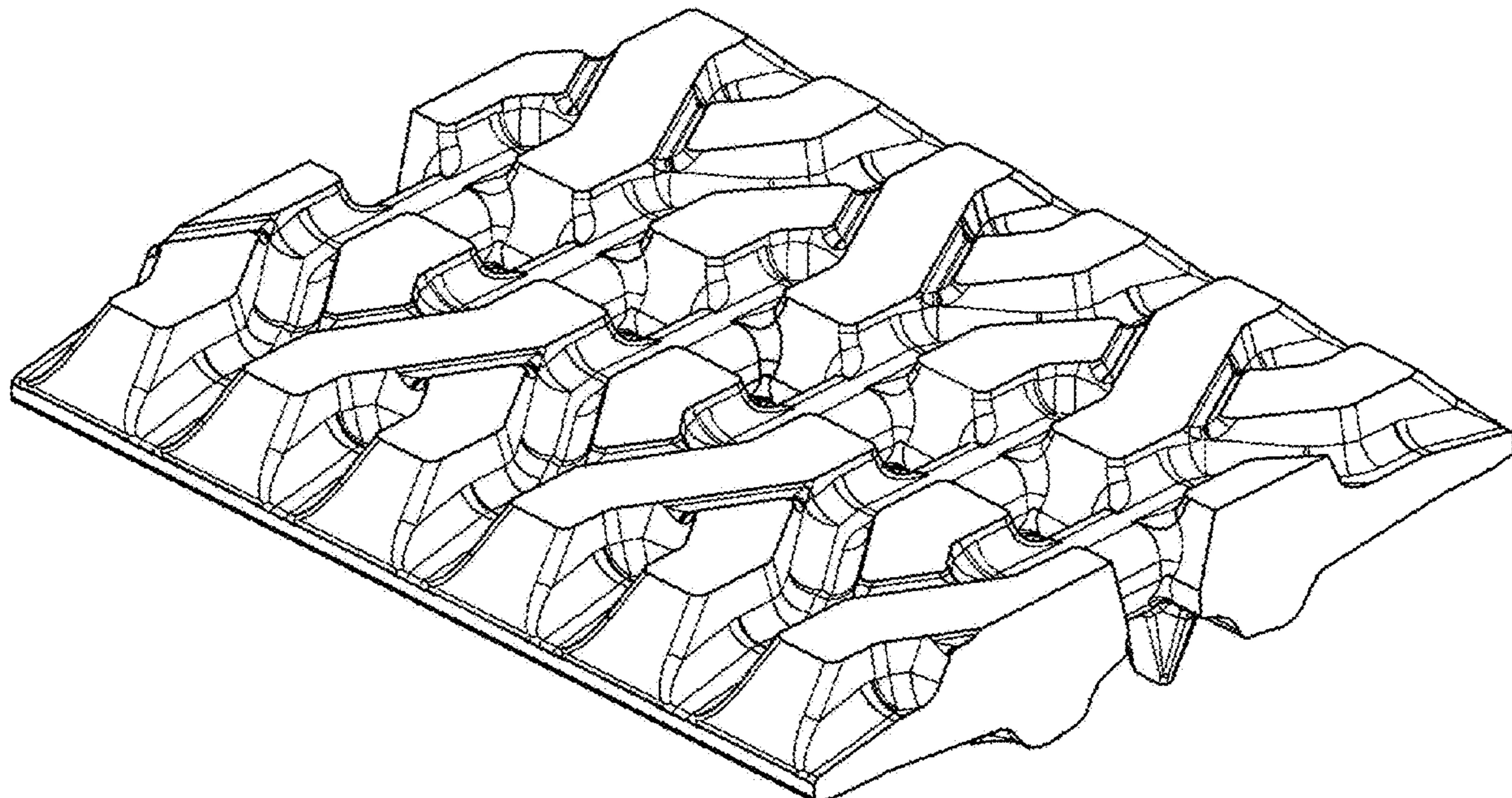
I claim the ornamental design for a rubber track, as shown and described.

**DESCRIPTION**

FIG. 1 is a front perspective view of a rubber track, showing my new design;  
FIG. 2 is a front elevational view thereof;  
FIG. 3 is a rear elevational view thereof;  
FIG. 4 is a left side elevational view thereof;  
FIG. 5 is a right side elevational view thereof;  
FIG. 6 is a top plan view thereof;  
FIG. 7 is a bottom plan view thereof; and,  
FIG. 8 is a bottom perspective view thereof.  
The rubber track as shown would be utilized to form a continuous loop.

(56) **References Cited**  
U.S. PATENT DOCUMENTS  
D549,741 S \* 8/2007 Tateishi ..... D15/28  
D615,105 S \* 5/2010 Abiko ..... D15/28  
D615,106 S \* 5/2010 Shimozono ..... D15/28  
D618,254 S \* 6/2010 Shimozono ..... D15/28  
D626,973 S \* 11/2010 Shimozono ..... D15/28  
D636,793 S \* 4/2011 Vladimirovich ..... D15/28  
D637,626 S \* 5/2011 Vladimirovich ..... D15/28  
D672,792 S \* 12/2012 Nomizo ..... D15/28

**1 Claim, 6 Drawing Sheets**



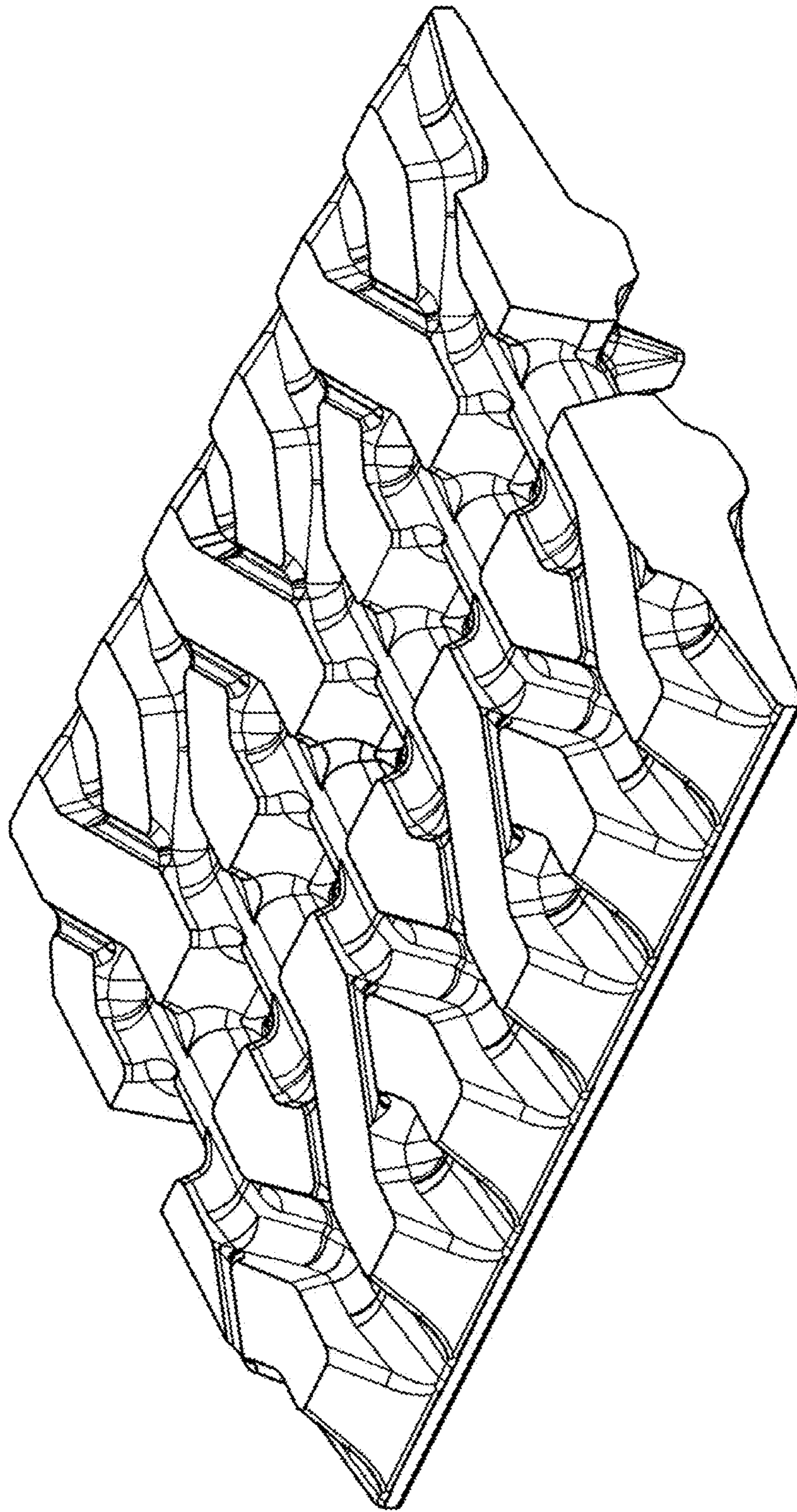


FIG. 1



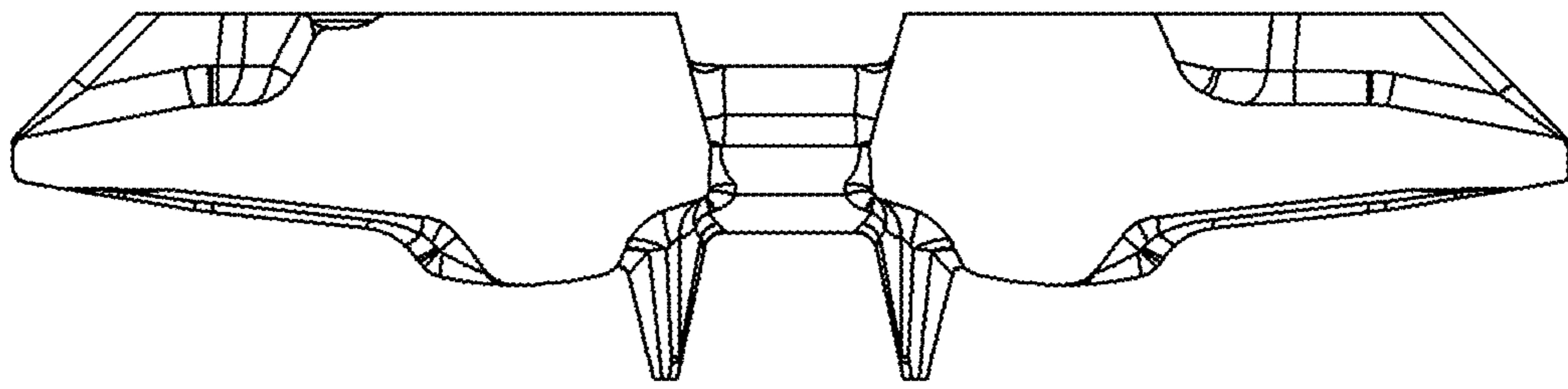


FIG. 2

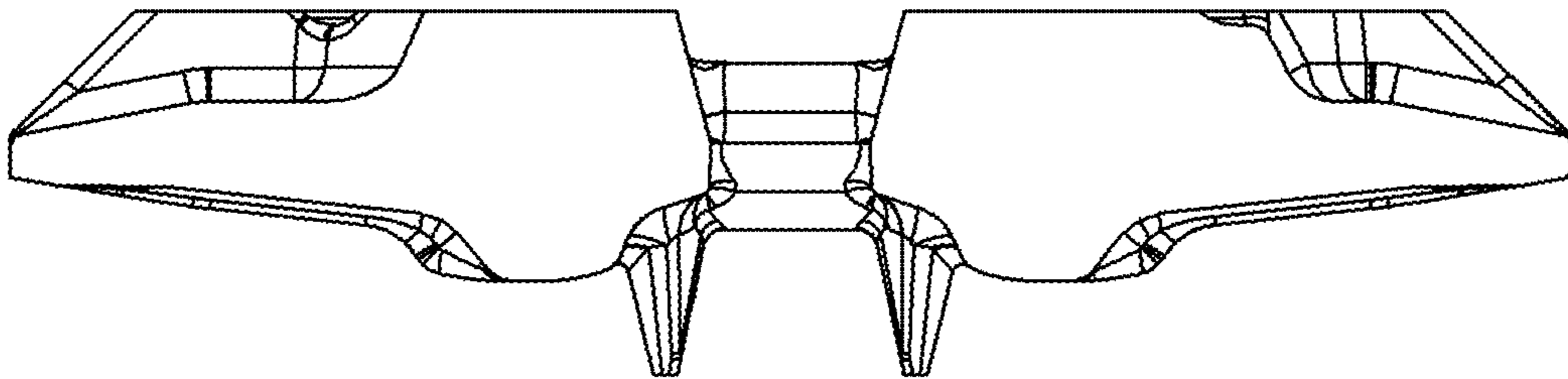


FIG. 3

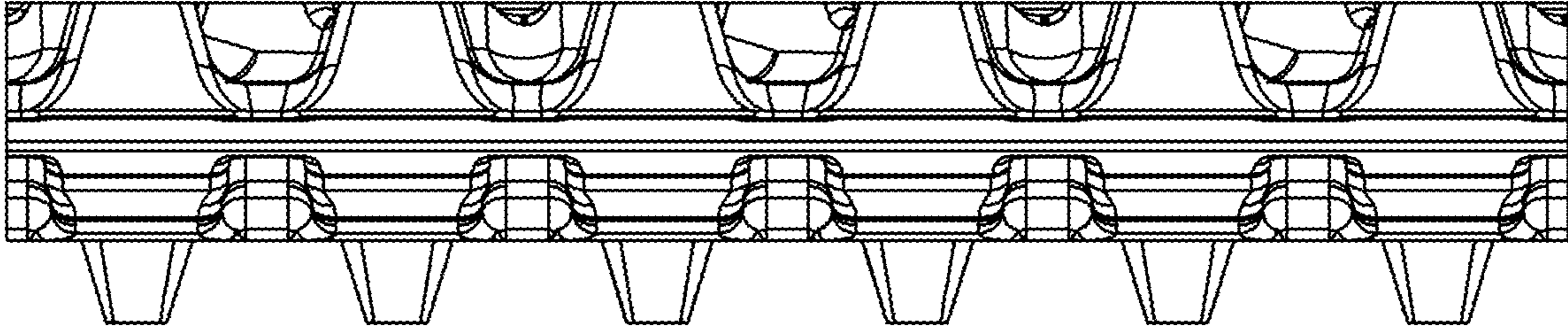


FIG. 4

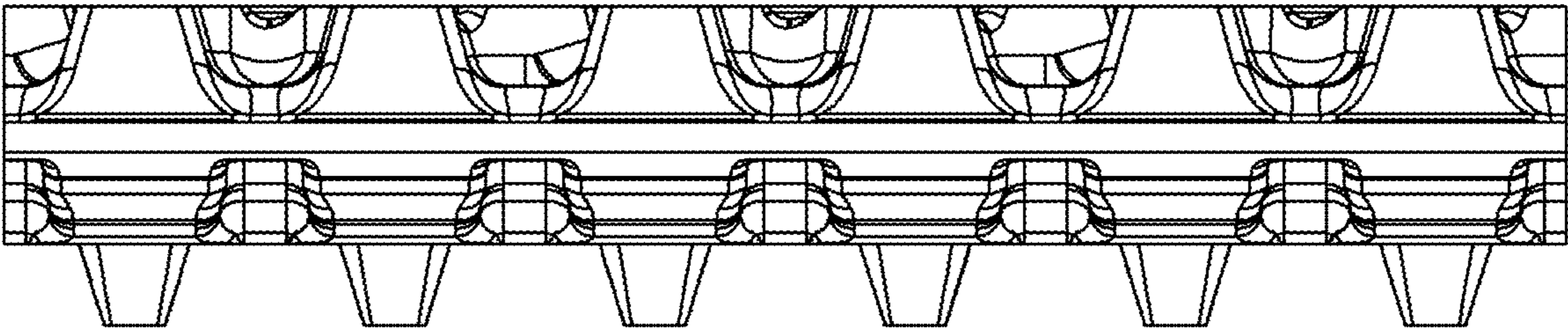


FIG. 5

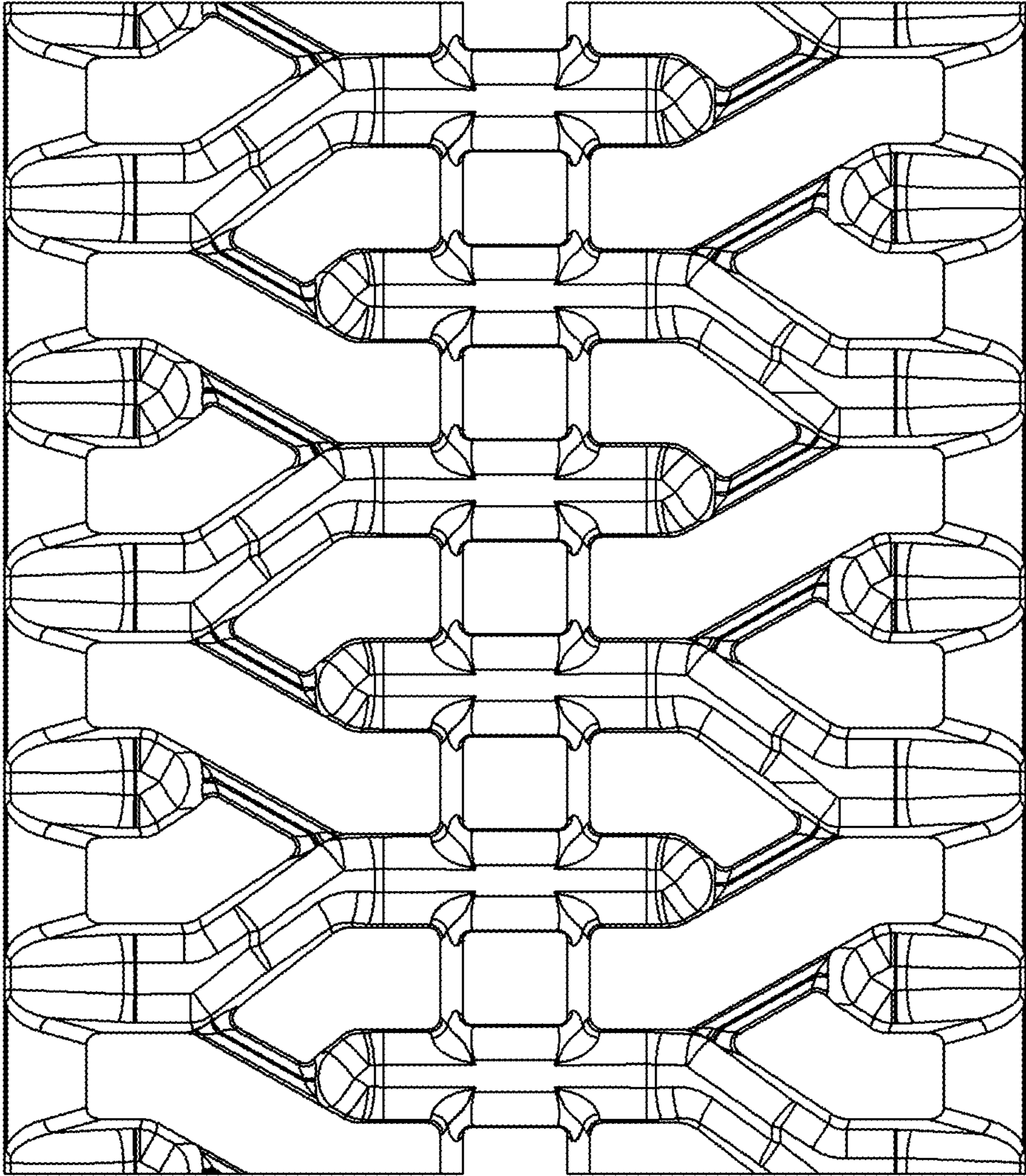


FIG. 6



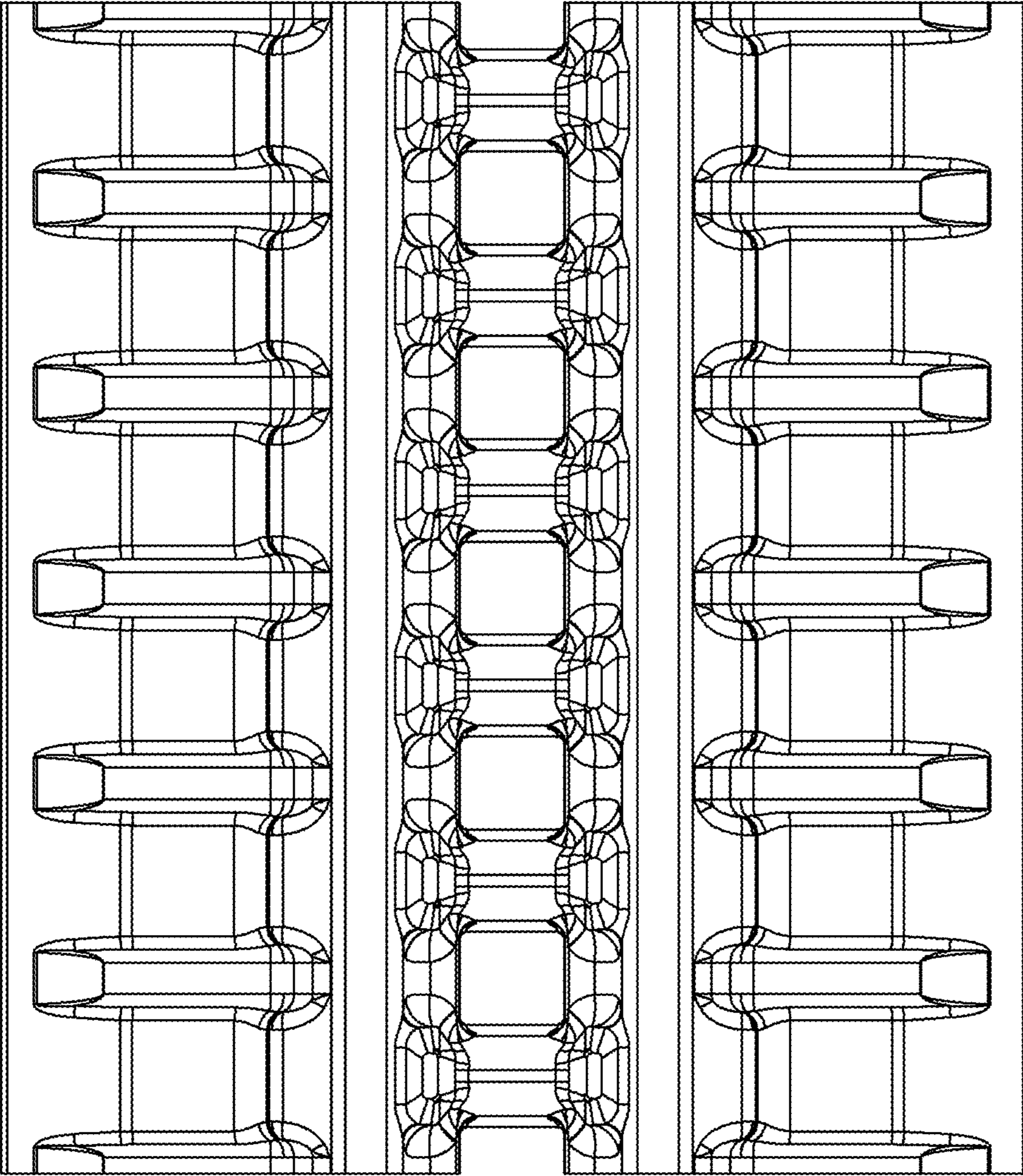


FIG. 7

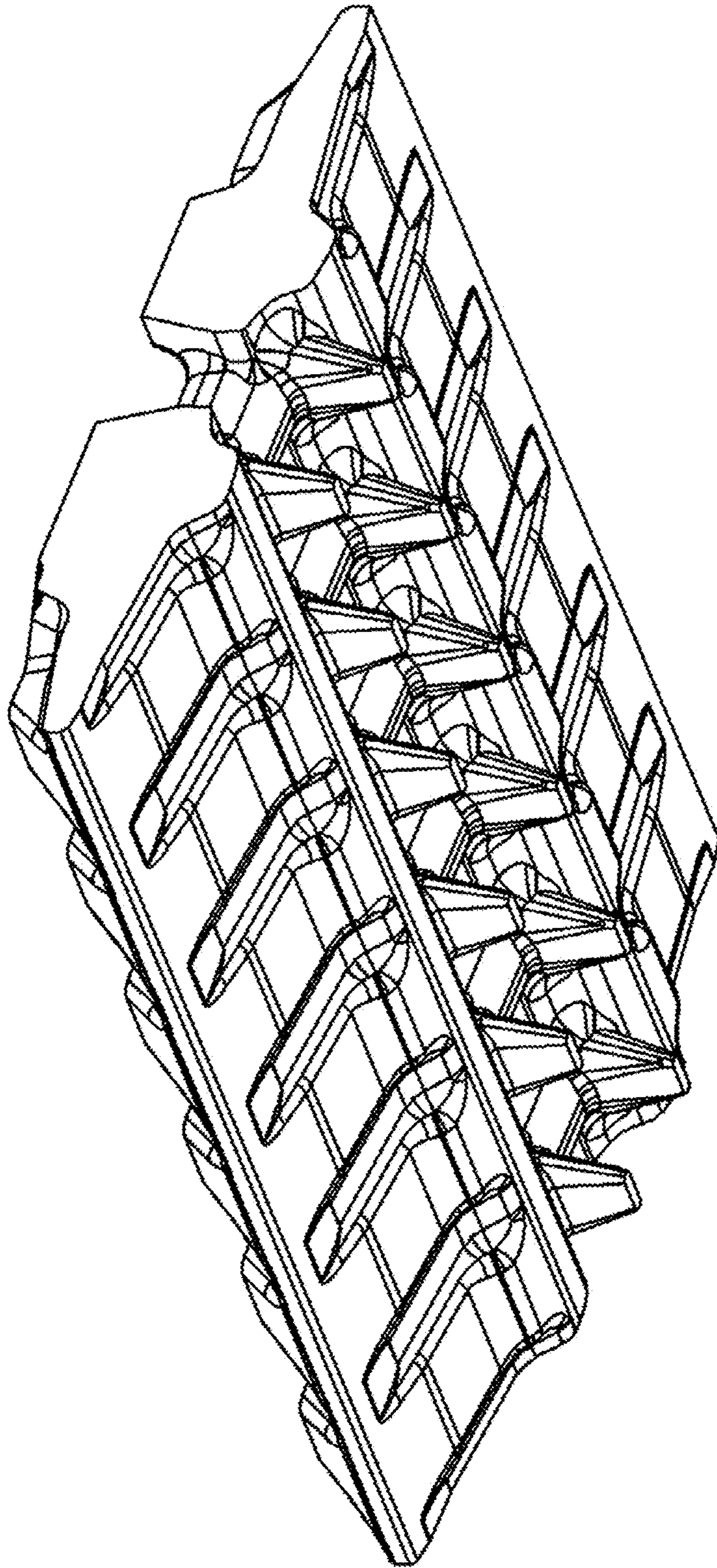


FIG. 8