



US00D926231S

(12) **United States Design Patent** (10) **Patent No.:** **US D926,231 S**
Nam (45) **Date of Patent:** **** Jul. 27, 2021**

(54) **RUBBER TRACK**
(71) Applicant: **DRB INDUSTRIAL CO., LTD.**, Busan (KR)
(72) Inventor: **YoonTae Nam**, Busan (KR)
(73) Assignee: **DRB INDUSTRIAL CO., LTD.**, Busan (KR)
(**) Term: **15 Years**

D694,283 S * 11/2013 Shimozono D15/28
D723,070 S * 2/2015 Sugihara D15/28
D724,628 S * 3/2015 Tateishi D15/28
D738,405 S * 9/2015 Meyer D15/28
D768,033 S * 10/2016 Degtyarev D12/7
D821,453 S * 6/2018 Nagamoto D15/28
D827,680 S * 9/2018 Choi D15/28
D827,681 S * 9/2018 Choi D15/28
D881,752 S * 4/2020 Degtyarev D12/7
D887,896 S * 6/2020 Degtyarev D12/7
D902,963 S * 11/2020 Wood D15/28
D906,879 S * 1/2021 Dandurand D12/7
2017/0210436 A1 * 7/2017 Brazier B62D 55/10

(21) Appl. No.: **29/723,561**
(22) Filed: **Feb. 7, 2020**
(51) **LOC (13) Cl.** **15-03**
(52) **U.S. Cl.**
USPC **D15/28**
(58) **Field of Classification Search**
USPC D15/22-26, 28; D21/491, 495, 537, 431, D21/484
CPC B62D 55/244; B62D 55/26; B62D 55/088; B62D 55/24; B62D 55/084; B62D 55/14; B62D 55/02; B62D 55/125; B62D 55/08; B62D 55/00
See application file for complete search history.

* cited by examiner

Primary Examiner — Mark A Goodwin
Assistant Examiner — Benjamin M Weeks
(74) *Attorney, Agent, or Firm* — Novick, Kim & Lee, PLLC; Jae Youn Kim; Hyun Woo Shin

(57) **CLAIM**

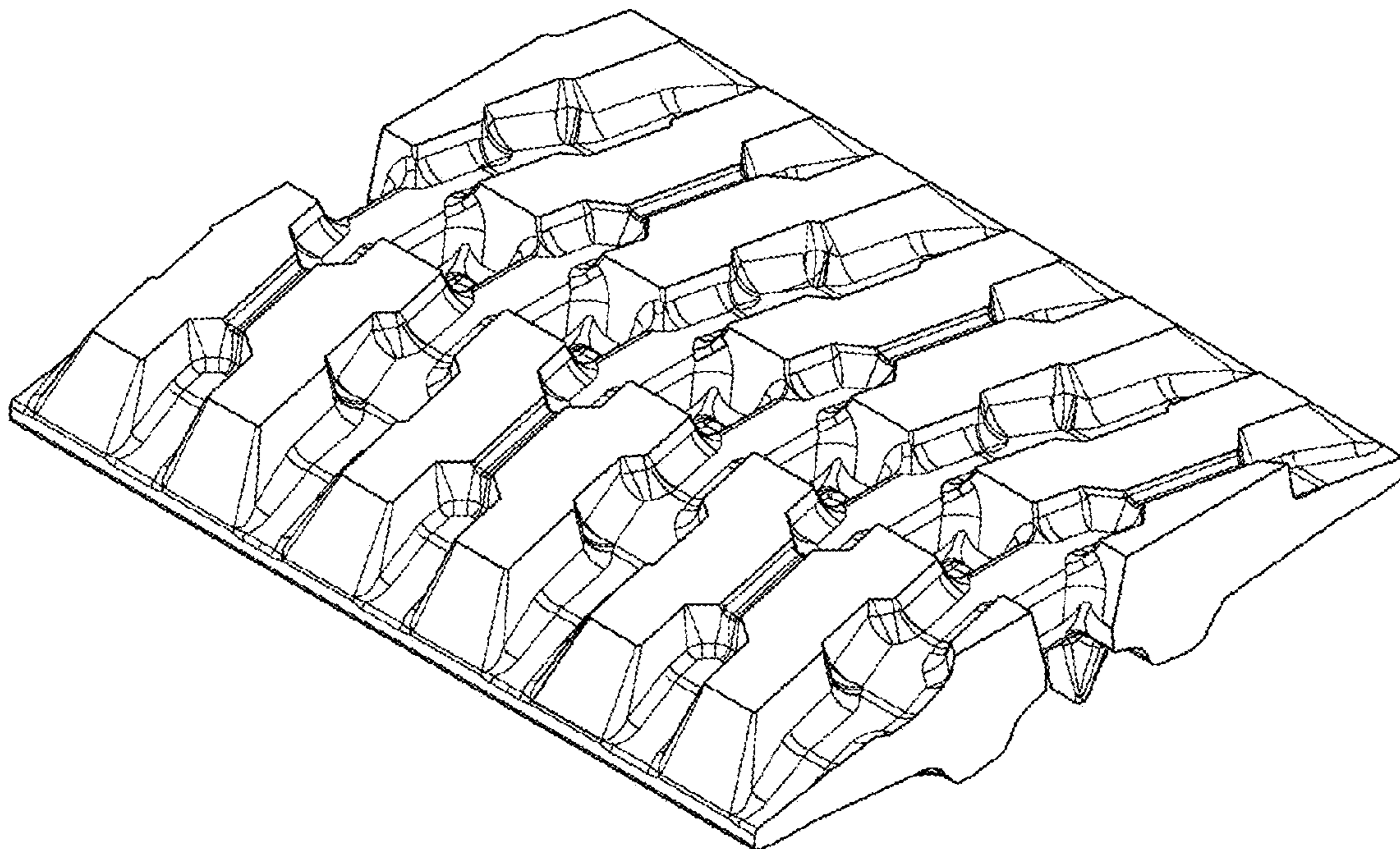
I claim the ornamental design for a rubber track, as shown and described.

DESCRIPTION

FIG. 1 is a front perspective view of a rubber track, showing my new design;
FIG. 2 is a front elevational view thereof;
FIG. 3 is a rear elevational view thereof;
FIG. 4 is a left side elevational view thereof;
FIG. 5 is a right side elevational view thereof;
FIG. 6 is a top plan view thereof;
FIG. 7 is a bottom plan view thereof; and,
FIG. 8 is a bottom perspective view thereof.
The rubber track as shown would be utilized to form a continuous loop.

(56) **References Cited**
U.S. PATENT DOCUMENTS
D549,741 S * 8/2007 Tateishi D15/28
D615,105 S * 5/2010 Abiko D15/28
D615,106 S * 5/2010 Shimozono D15/28
D618,254 S * 6/2010 Shimozono D15/28
D626,973 S * 11/2010 Shimozono D15/28
D636,793 S * 4/2011 Vladimirovich D15/28
D637,626 S * 5/2011 Vladimirovich D15/28
D672,792 S * 12/2012 Nomizo D15/28

1 Claim, 6 Drawing Sheets



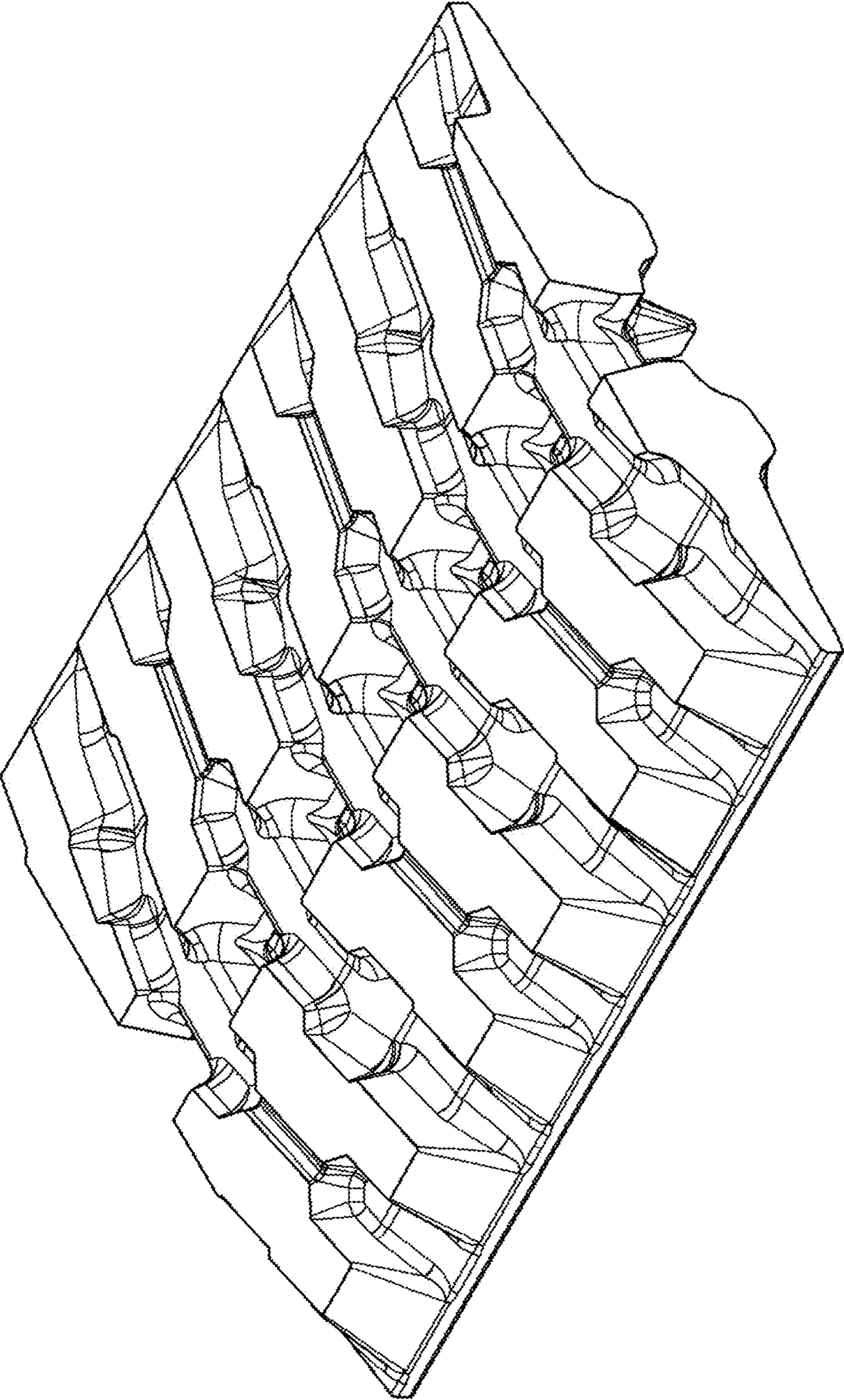


FIG. 1

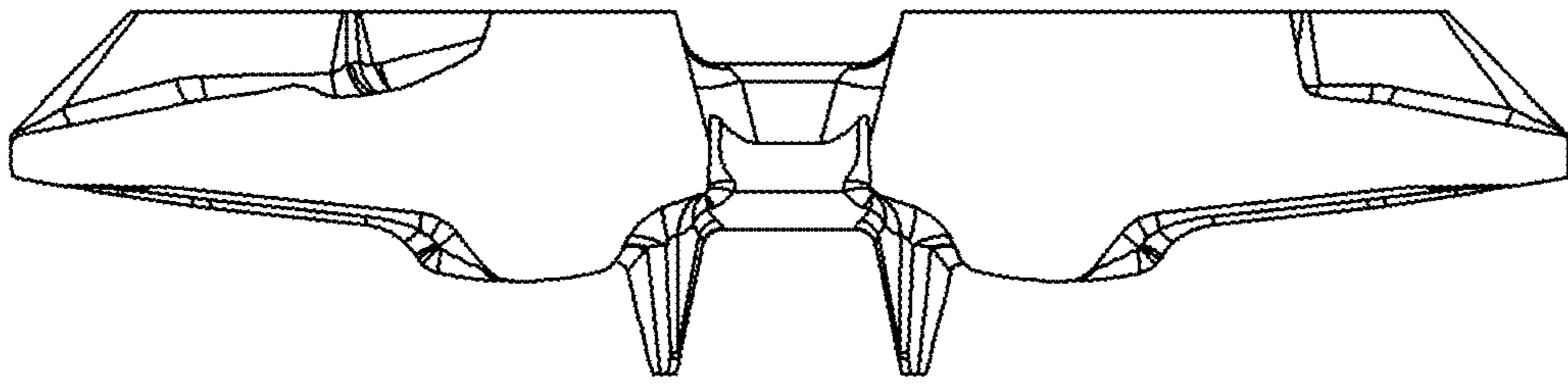


FIG. 2

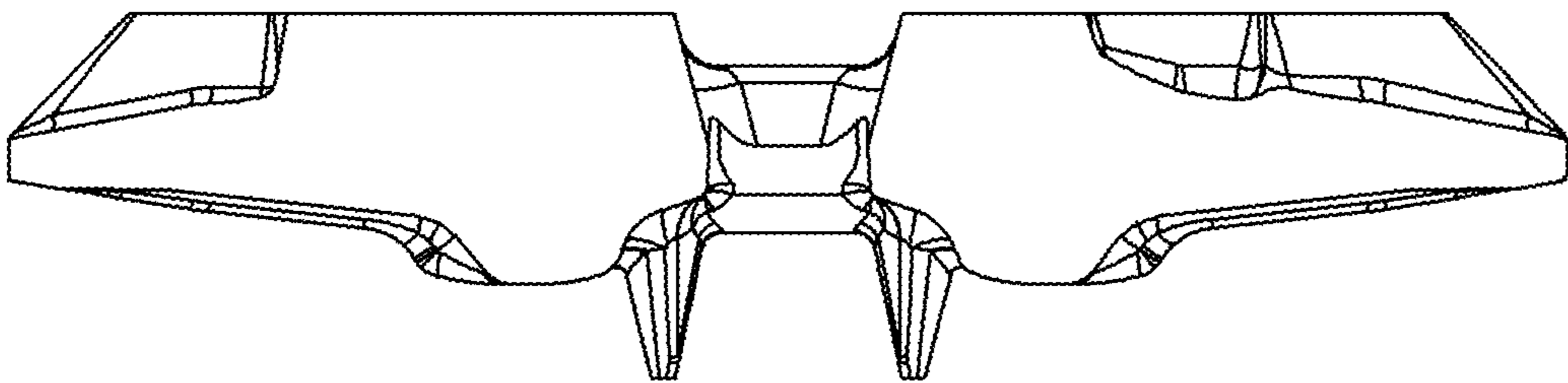


FIG. 3

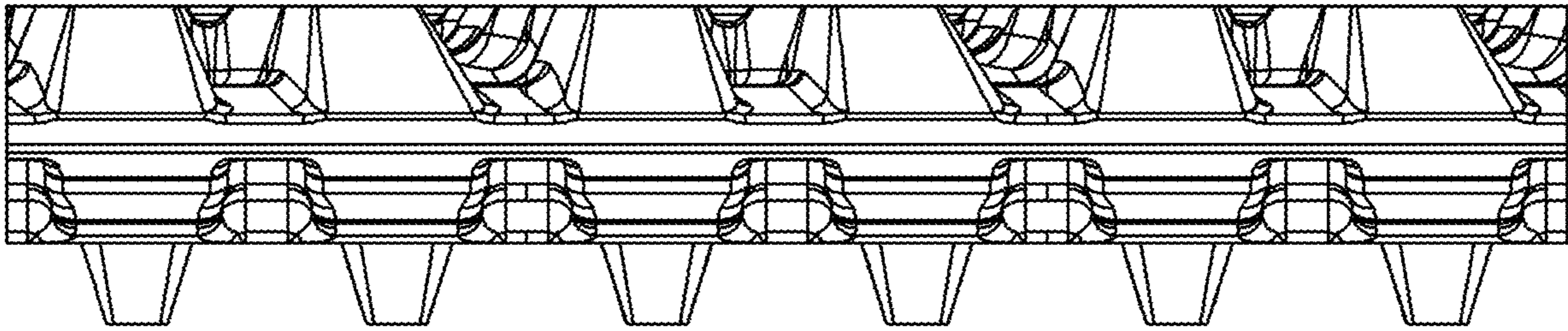


FIG. 4

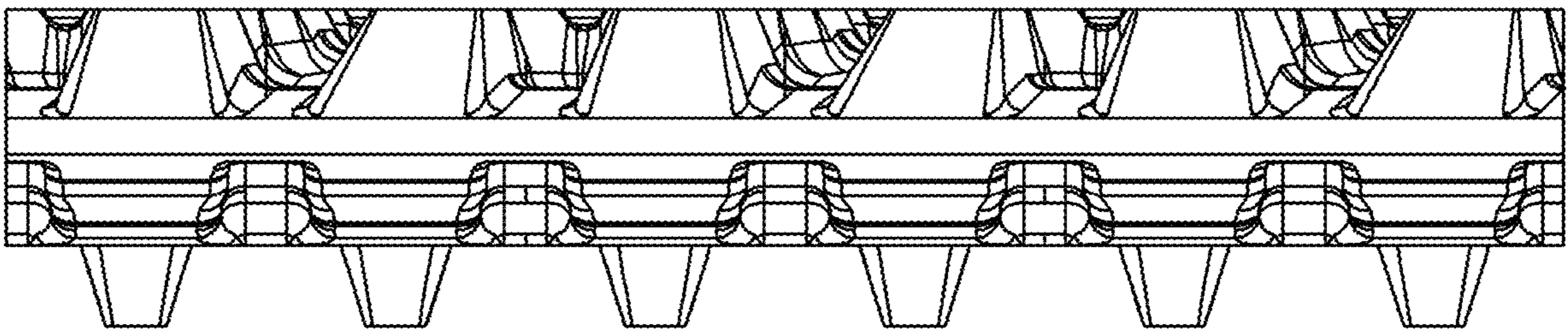


FIG. 5

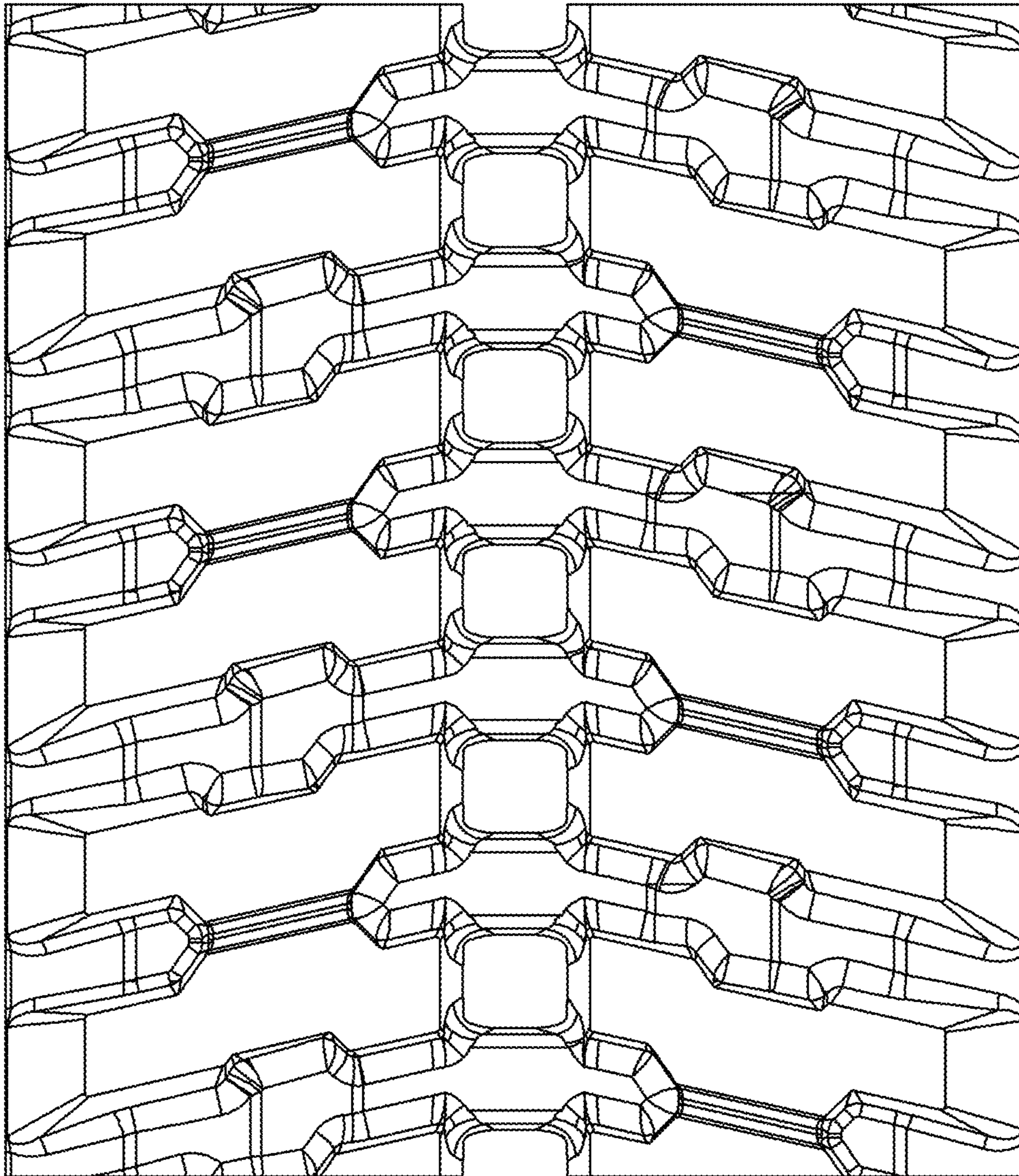


FIG. 6

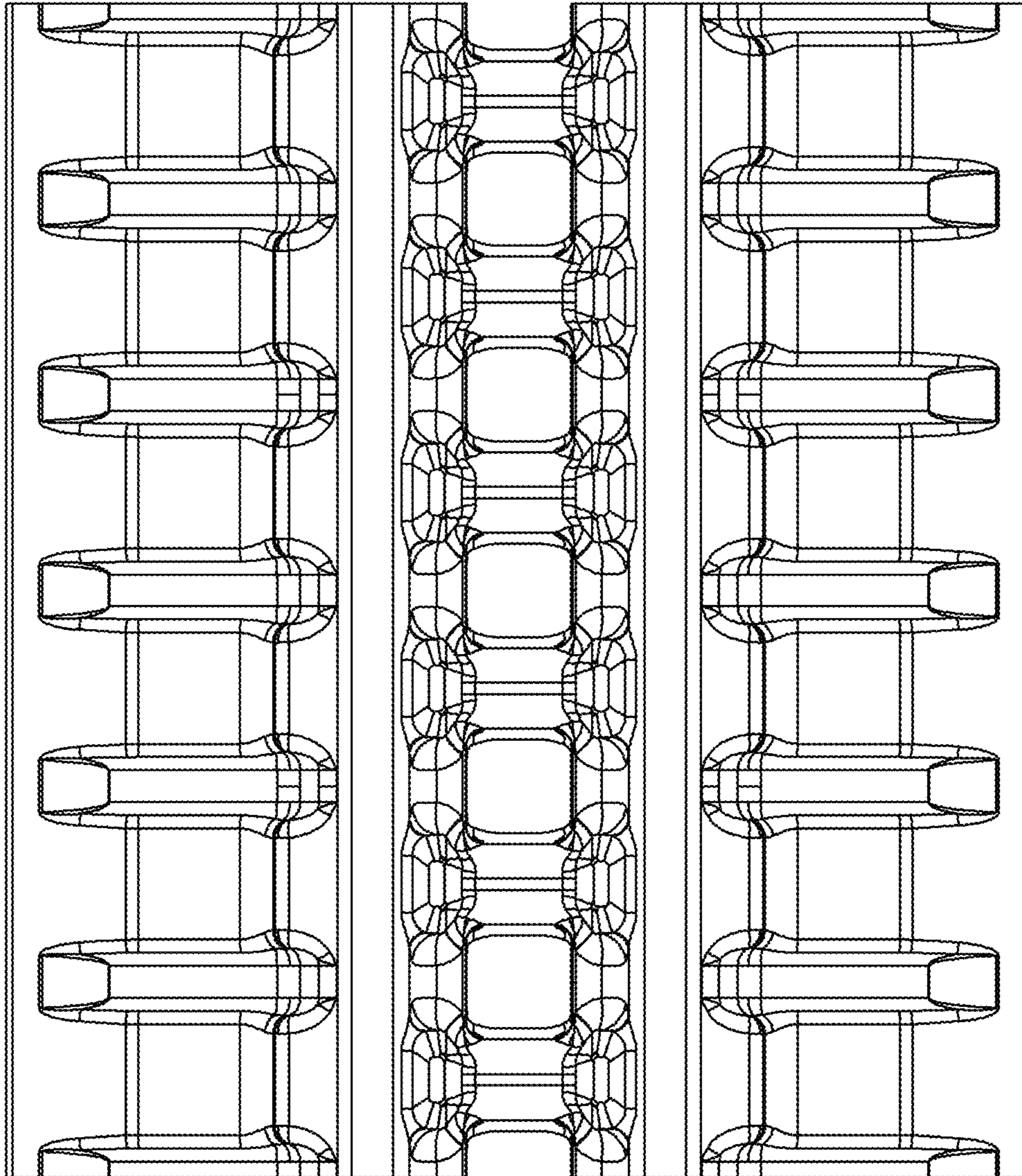


FIG. 7

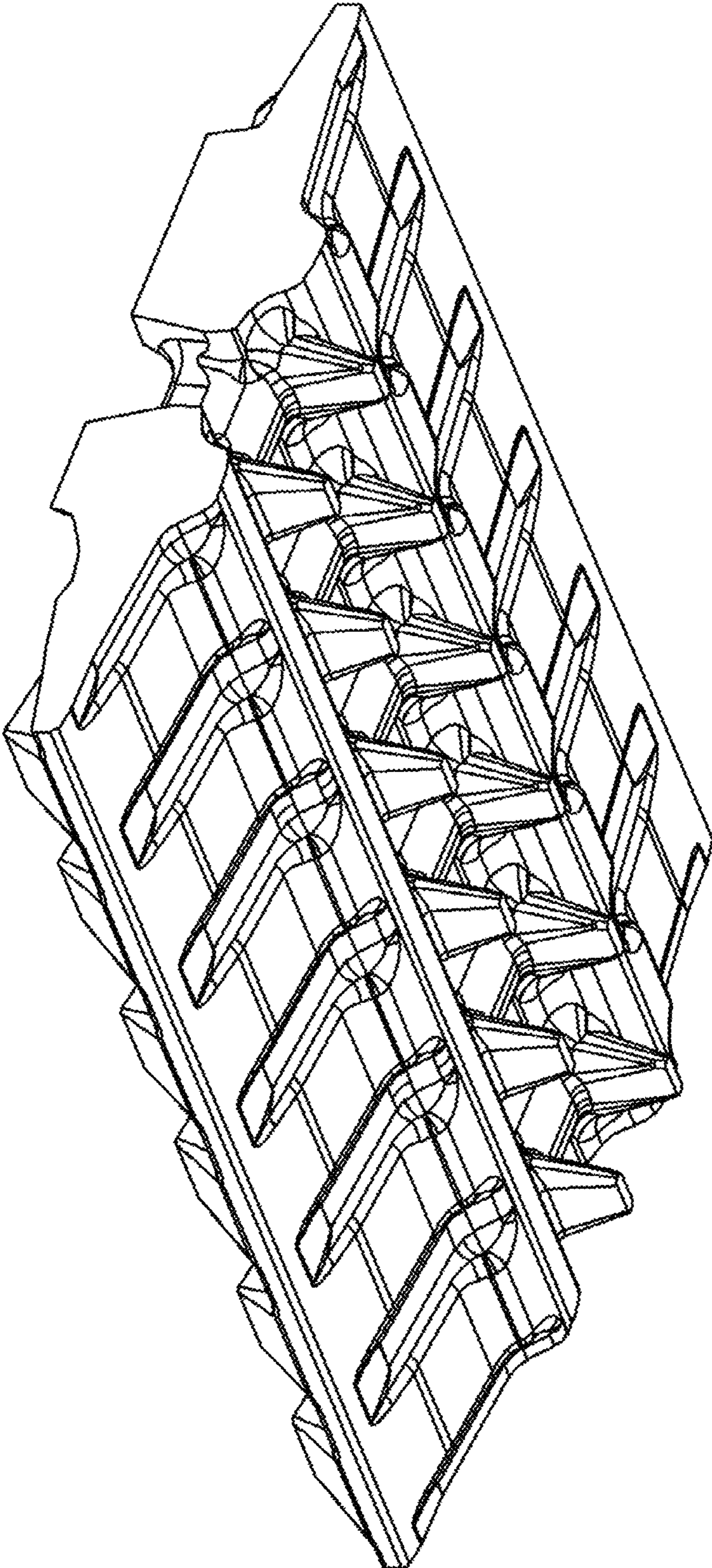


FIG. 8