



US00D926228S

(12) **United States Design Patent** (10) **Patent No.:** **US D926,228 S**
Nonaka et al. (45) **Date of Patent:** **** Jul. 27, 2021**

(54) **CYLINDER BLOCK FOR ENGINE**

(71) Applicant: **KAAZ CORPORATION**, Okayama (JP)

(72) Inventors: **Masaki Nonaka**, Okayama (JP); **Koichi Hirakawa**, Okayama (JP); **Shinichirou Okamoto**, Okayama (JP)

(73) Assignee: **KAAZ CORPORATION**, Okayama (JP)

(**) Term: **15 Years**

(21) Appl. No.: **29/713,825**

(22) Filed: **Nov. 19, 2019**

(30) **Foreign Application Priority Data**

Jul. 22, 2019 (JP) 2019-016313

(51) **LOC (13) Cl.** **15-01**

(52) **U.S. Cl.**
USPC **D15/5**

(58) **Field of Classification Search**

USPC D15/1, 2, 3, 4, 5, 6
CPC F02B 33/28; F02B 33/00; F02B 33/02;
F02F 7/0039; F02F 7/0095; F02F 1/30
See application file for complete search history.

(56) **References Cited**

U.S. PATENT DOCUMENTS

- 6,408,805 B2 * 6/2002 Uenoyama F02M 23/03
123/73 PP
- 8,127,724 B2 * 3/2012 Yuasa F02B 33/04
123/65 R
- 9,702,318 B2 * 7/2017 Geyer F02B 75/02
- 10,145,293 B2 * 12/2018 Huang F01P 1/02
- D896,279 S * 9/2020 Elias D15/5
- 2001/0032602 A1 * 10/2001 Bergmann F02B 33/04
123/73 R

- 2003/0226526 A1 * 12/2003 Roskamp F02B 33/04
123/73 PP
- 2007/0119404 A1 * 5/2007 Yuasa F02F 7/0036
123/195 R
- 2008/0035096 A1 * 2/2008 Carlsson F02B 33/02
123/193.2
- 2011/0308491 A1 12/2011 Lawes
- 2013/0008681 A1 * 1/2013 Ichihashi F02M 35/10262
173/213
- 2013/0291840 A1 * 11/2013 Ono F02B 33/00
123/559.1
- 2015/0027390 A1 * 1/2015 Garrison F02M 26/41
123/41.69

(Continued)

FOREIGN PATENT DOCUMENTS

JP 5497796 B 5/2014

Primary Examiner — Ania Aman

(74) *Attorney, Agent, or Firm* — Pearne & Gordon LLP

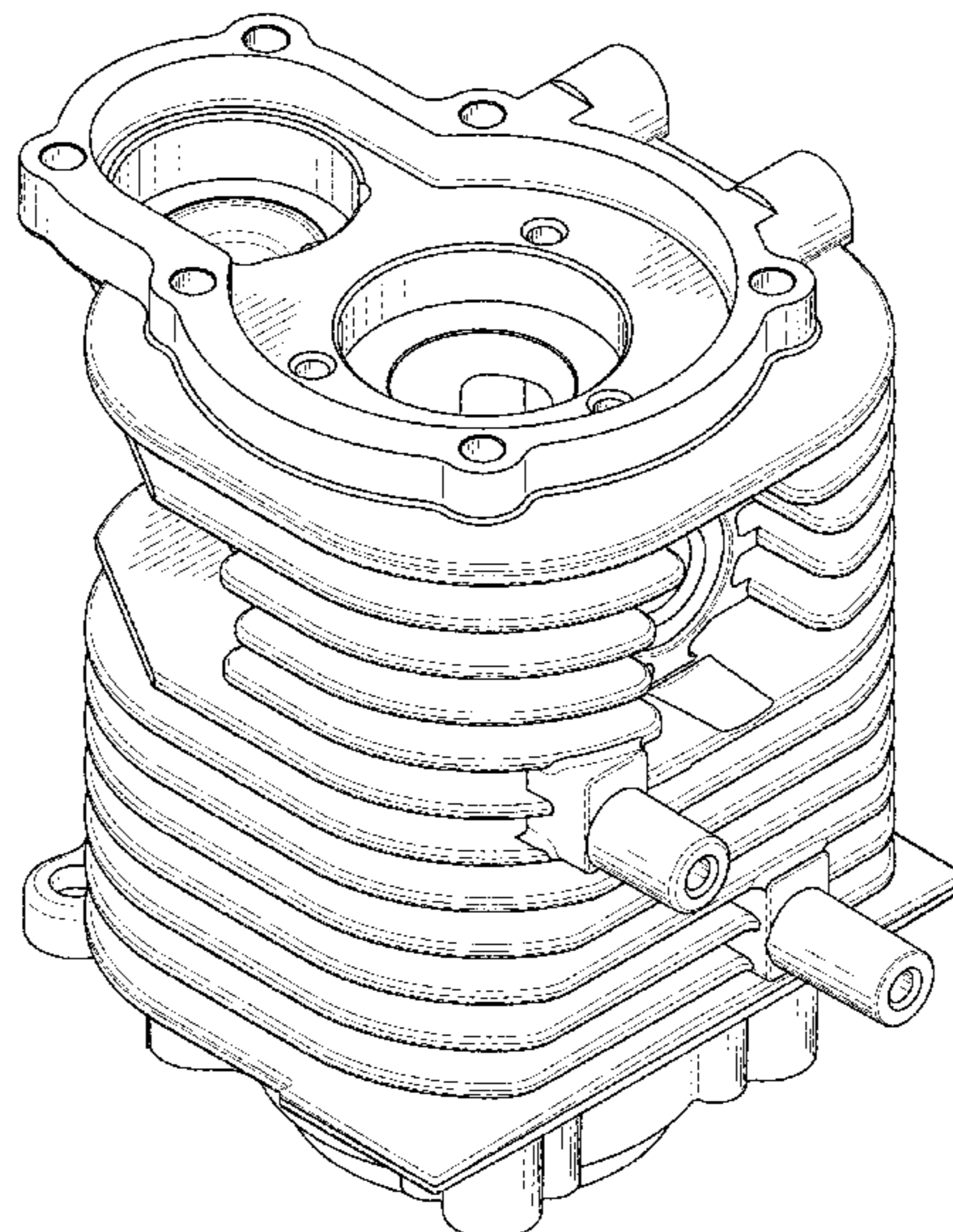
(57) **CLAIM**

The ornamental design for a cylinder block for engine, as shown and described.

DESCRIPTION

FIG. 1 is a top front perspective view of a cylinder block for engine showing our new design;
 FIG. 2 is a bottom back perspective view thereof;
 FIG. 3 is a front elevational view thereof;
 FIG. 4 is a back elevational view thereof;
 FIG. 5 is a left side elevational view thereof;
 FIG. 6 is a right side elevational view thereof;
 FIG. 7 is a top plan view thereof;
 FIG. 8 is a bottom plan view thereof;
 FIG. 9 is top back perspective view thereof; and,
 FIG. 10 is a bottom back perspective view thereof.
 The broken lines shown are included for the purpose of illustrating the unclaimed portions and form no part of the claimed design.

1 Claim, 10 Drawing Sheets



(56)

References Cited

U.S. PATENT DOCUMENTS

2016/0069296 A1* 3/2016 Geyer F02B 75/02
123/73 PP
2019/0170054 A1* 6/2019 Ferrari F02B 33/28
2019/0390628 A1* 12/2019 Wilson F02F 1/065

* cited by examiner

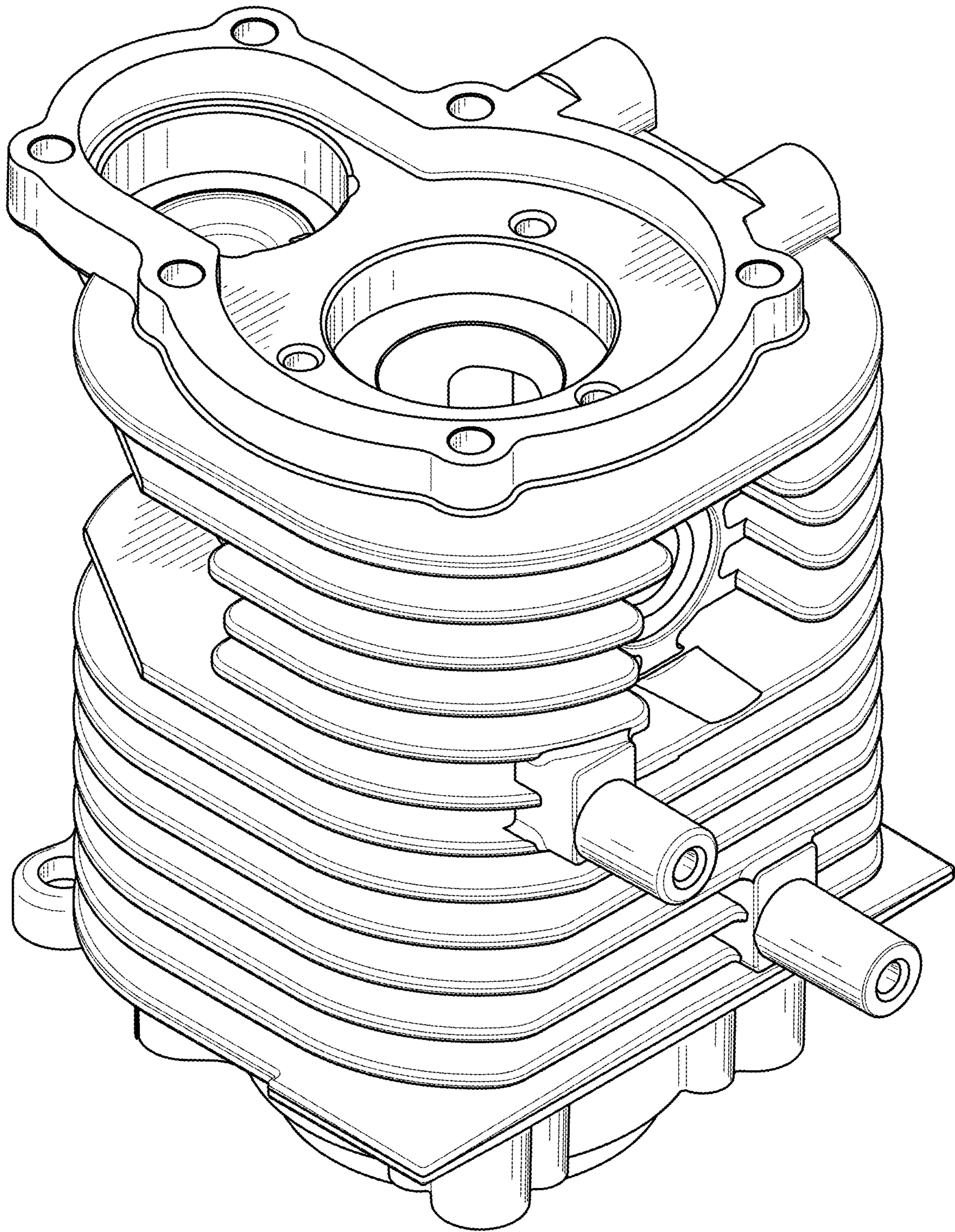


FIG. 1

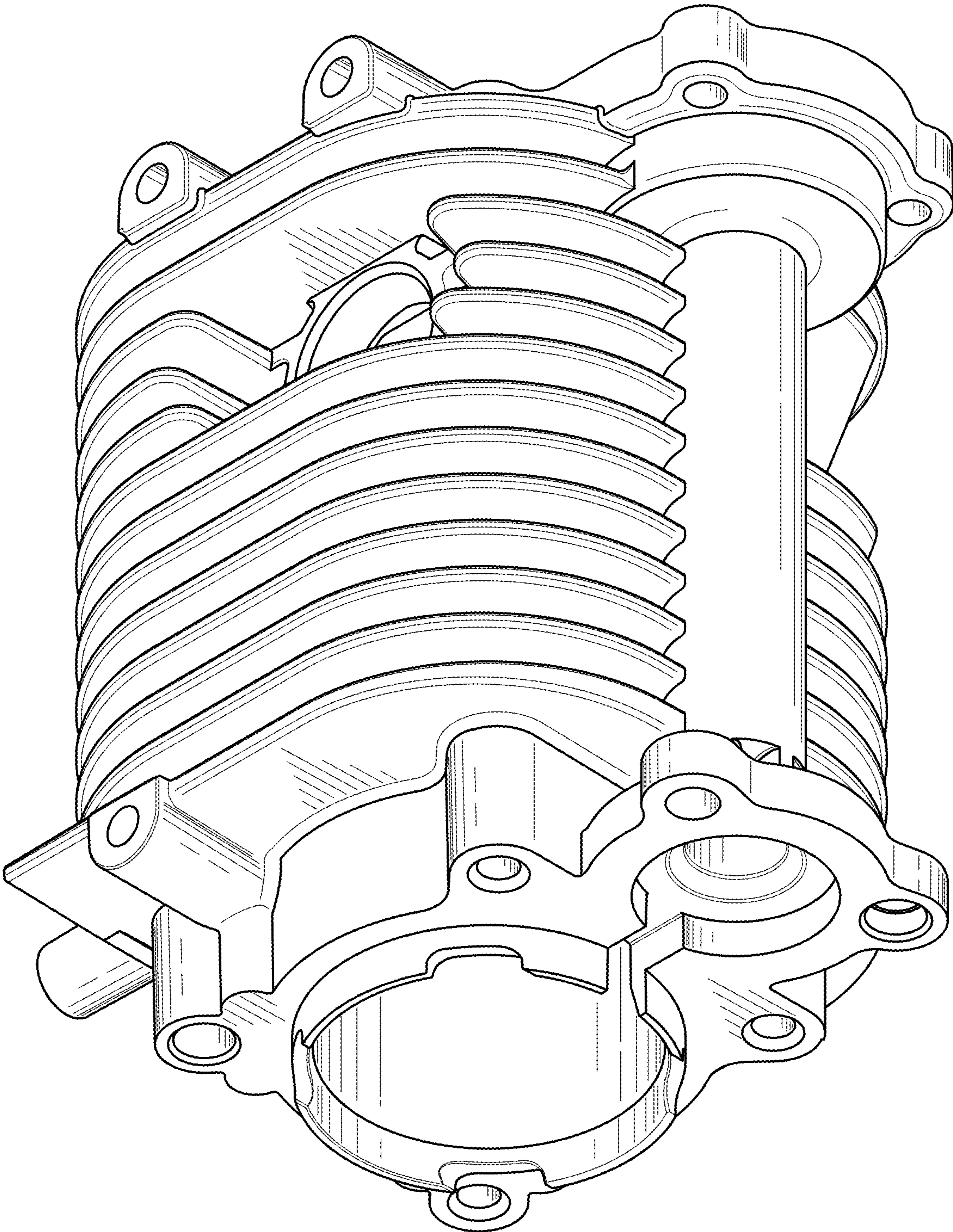


FIG. 2

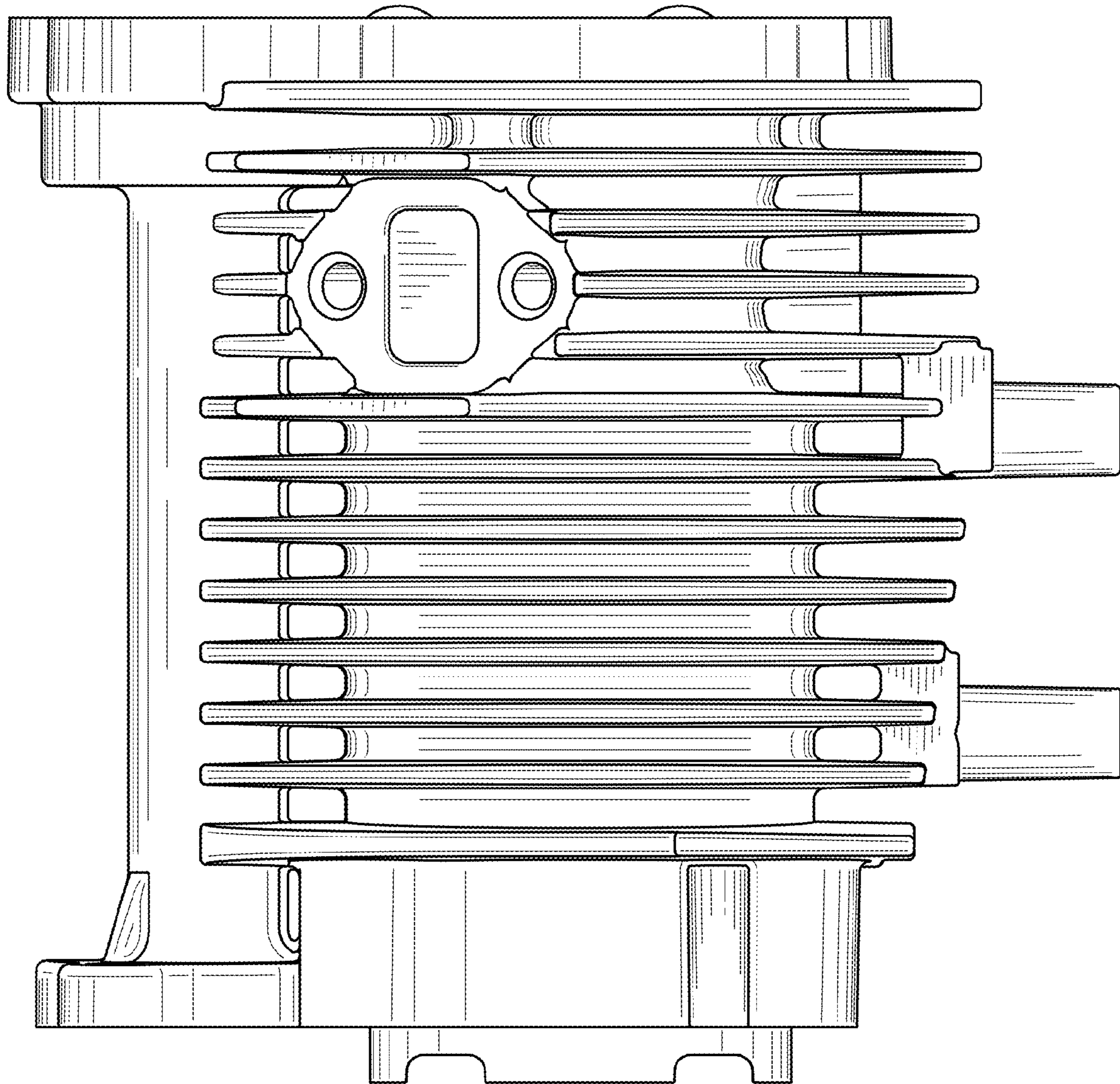


FIG. 3

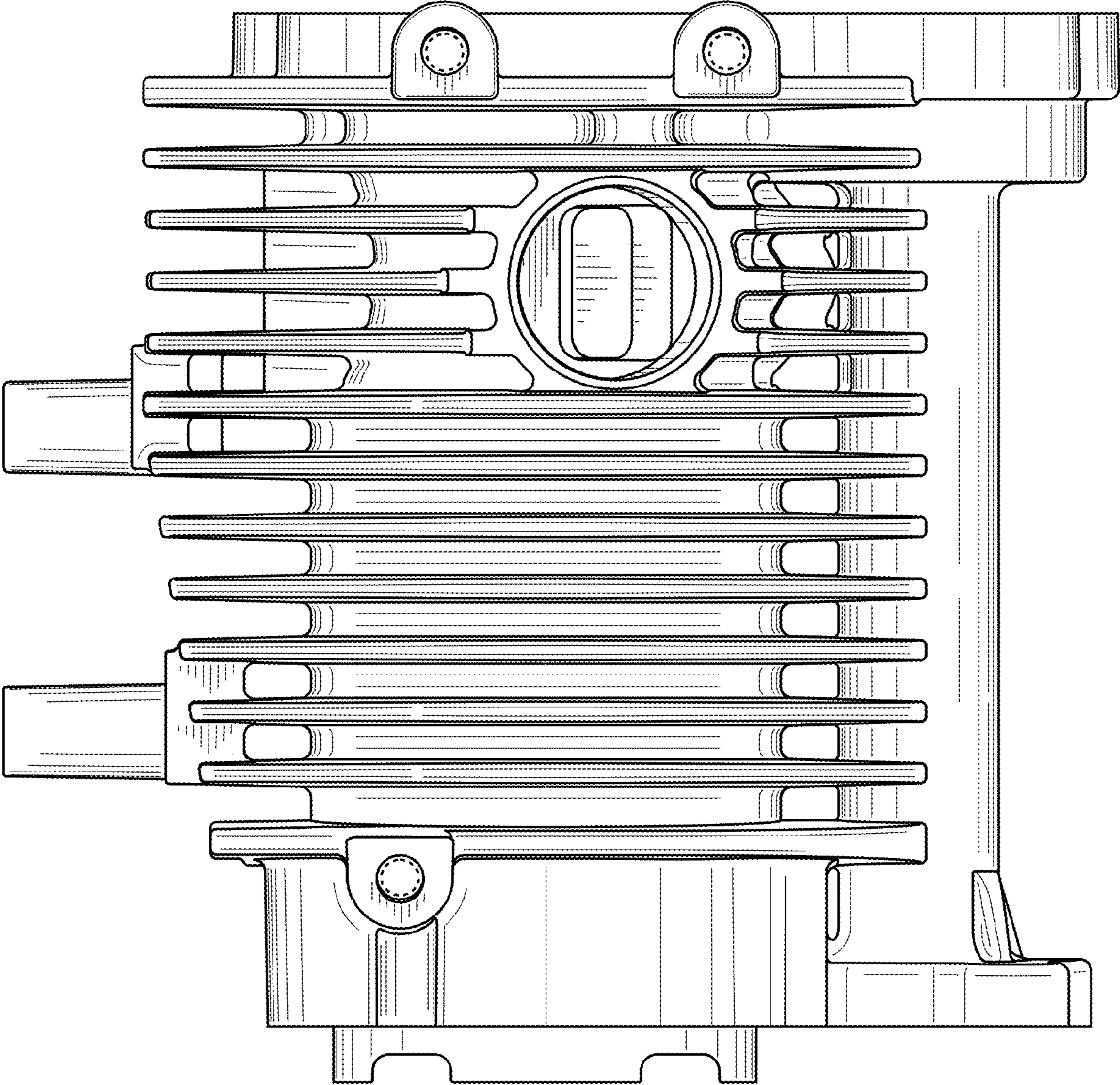


FIG. 4

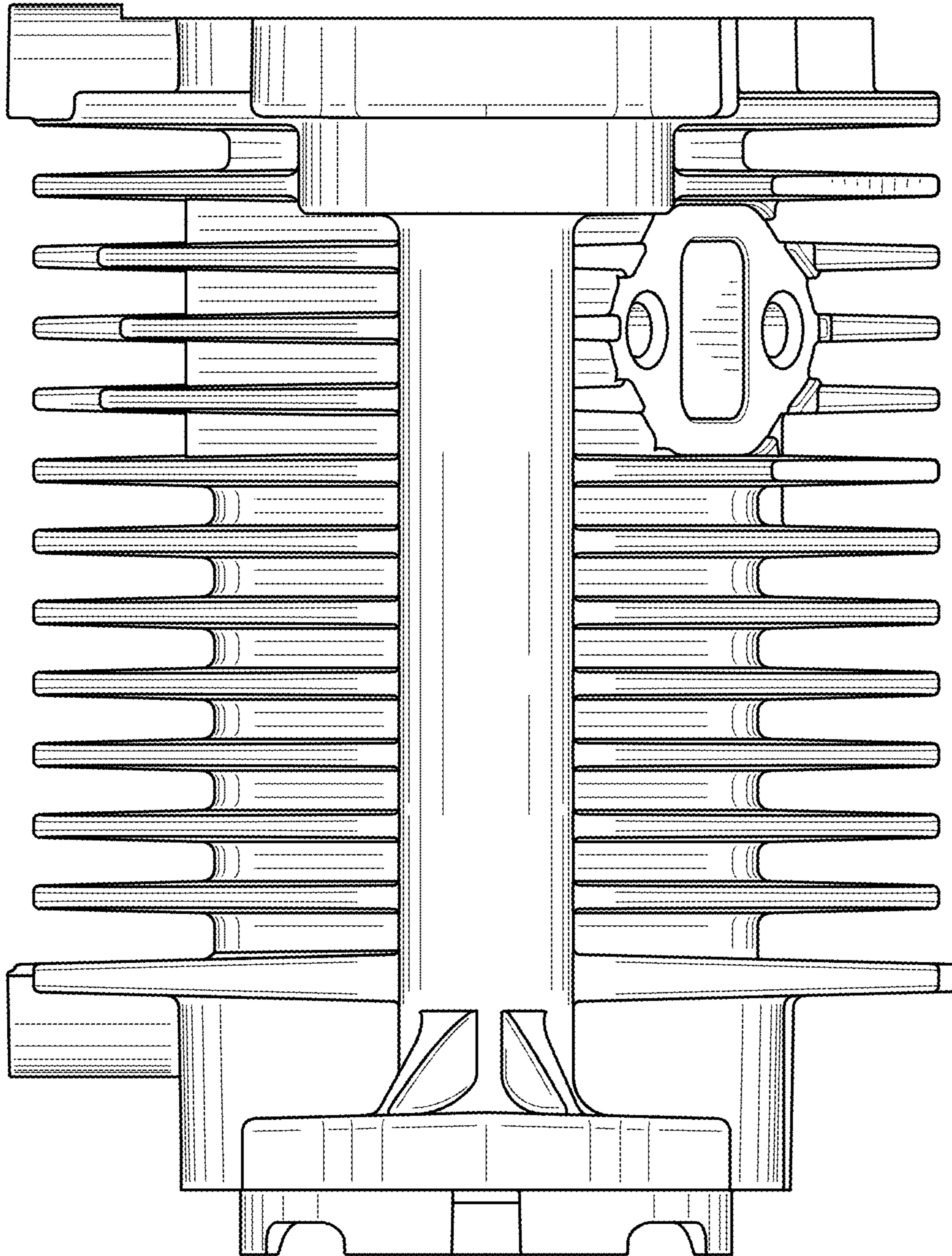


FIG. 5

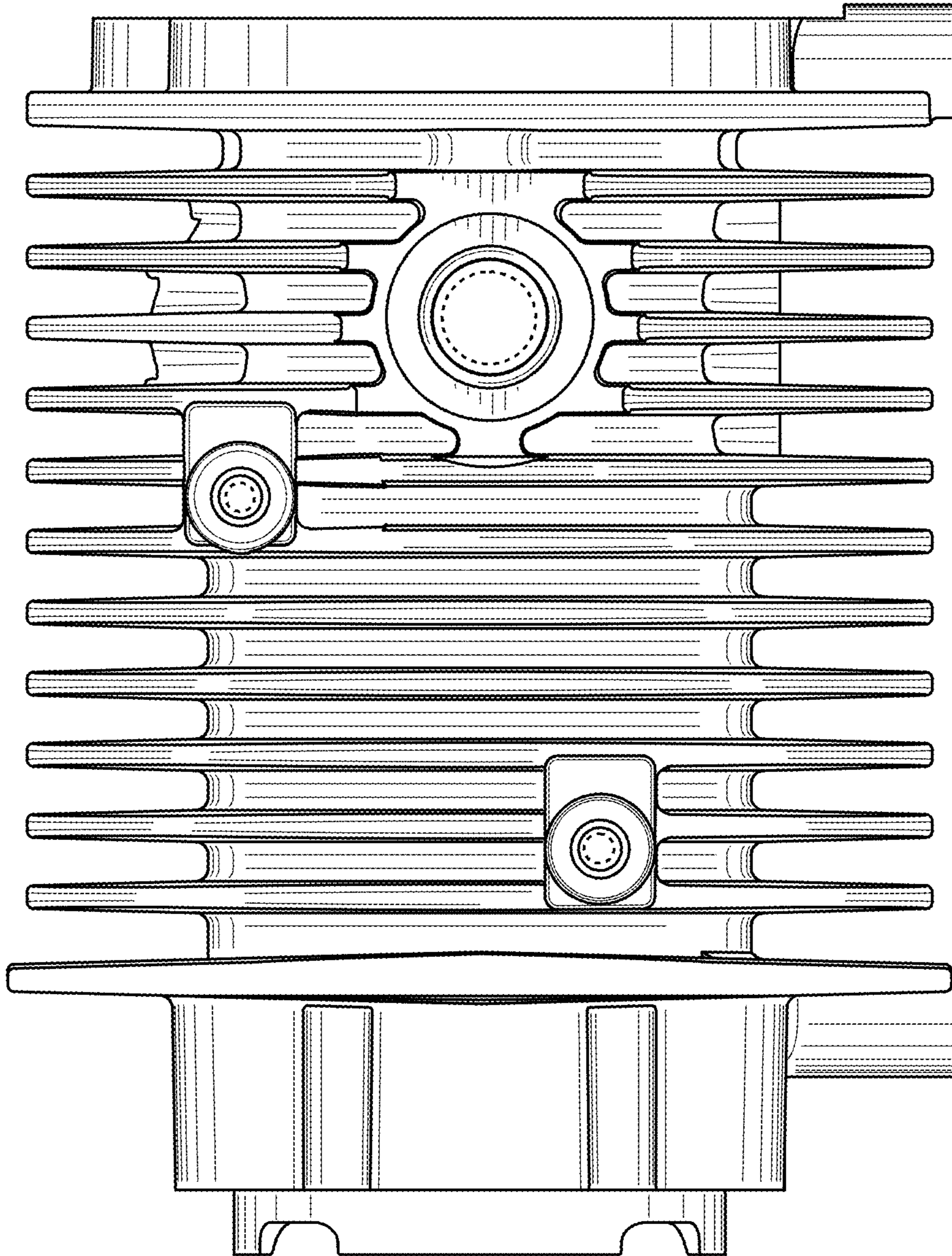


FIG. 6

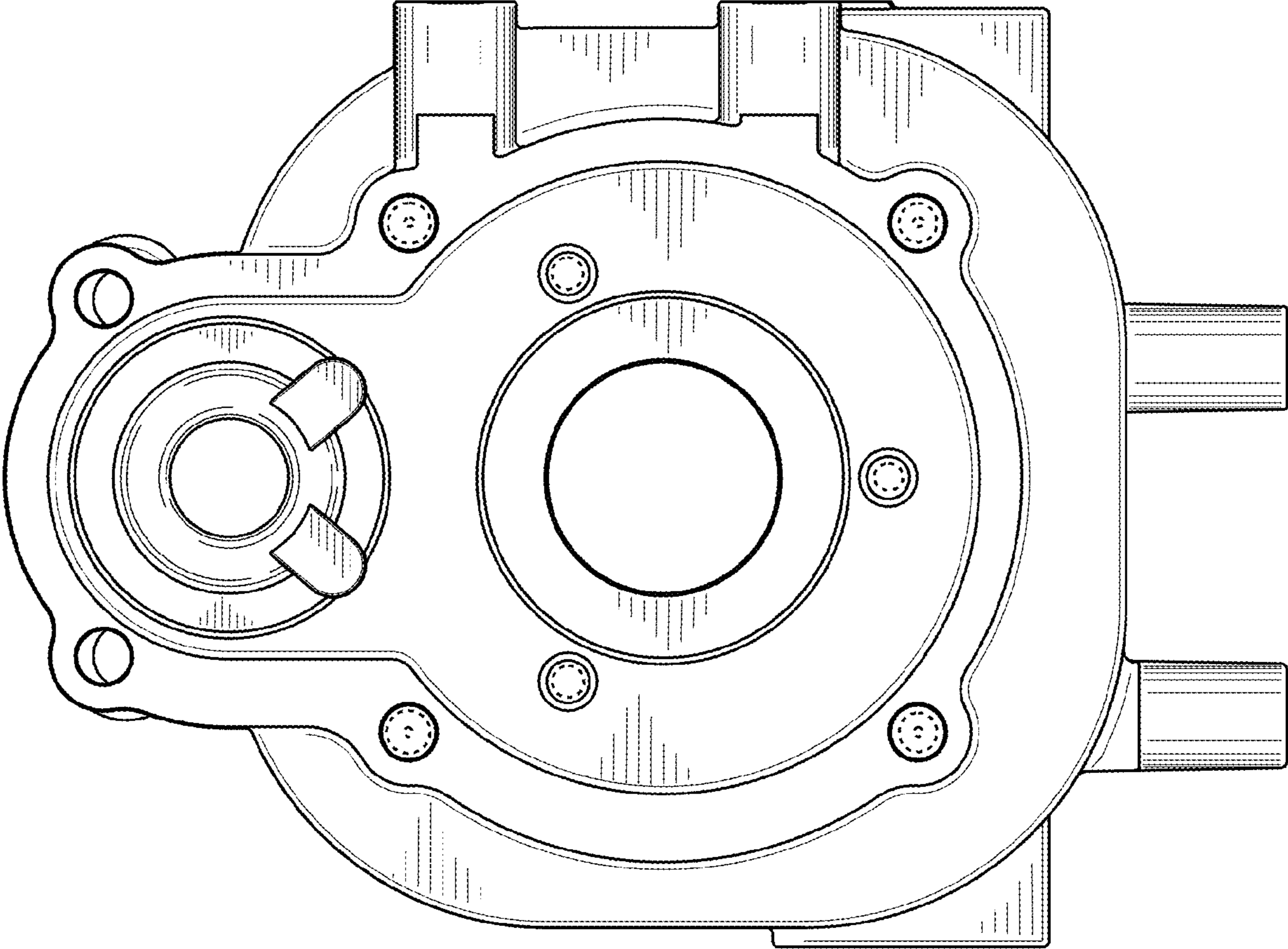


FIG. 7

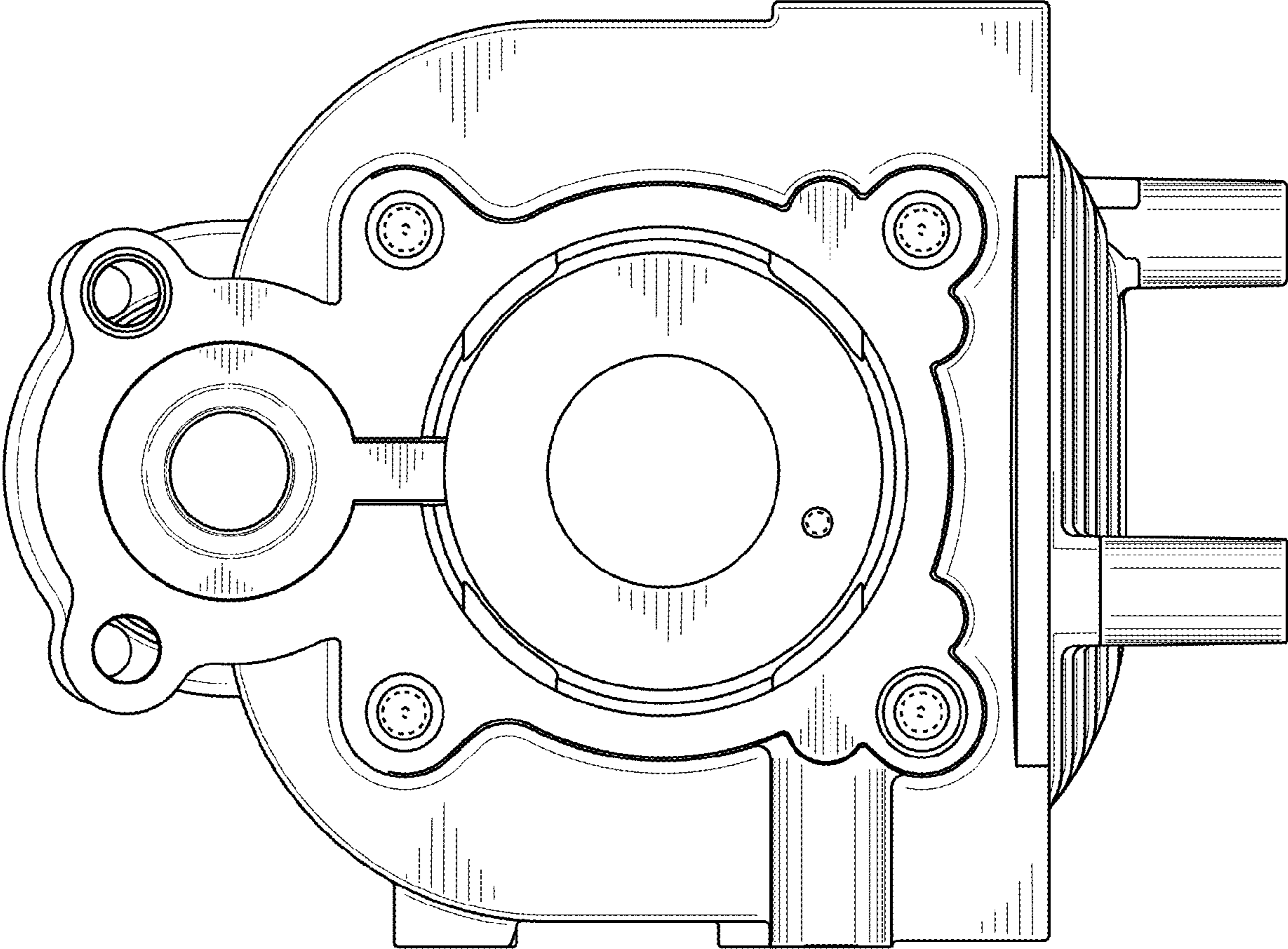


FIG. 8

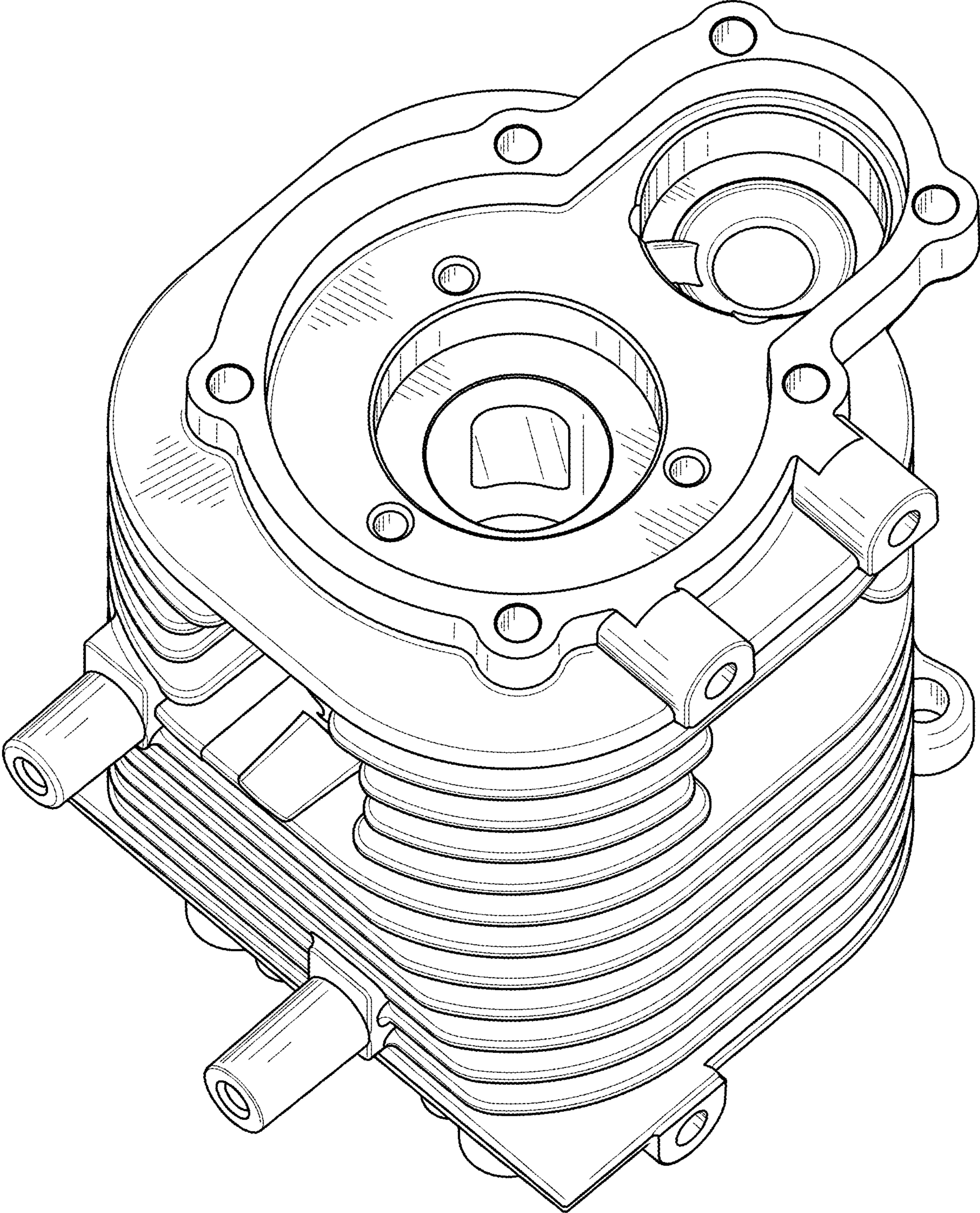


FIG. 9

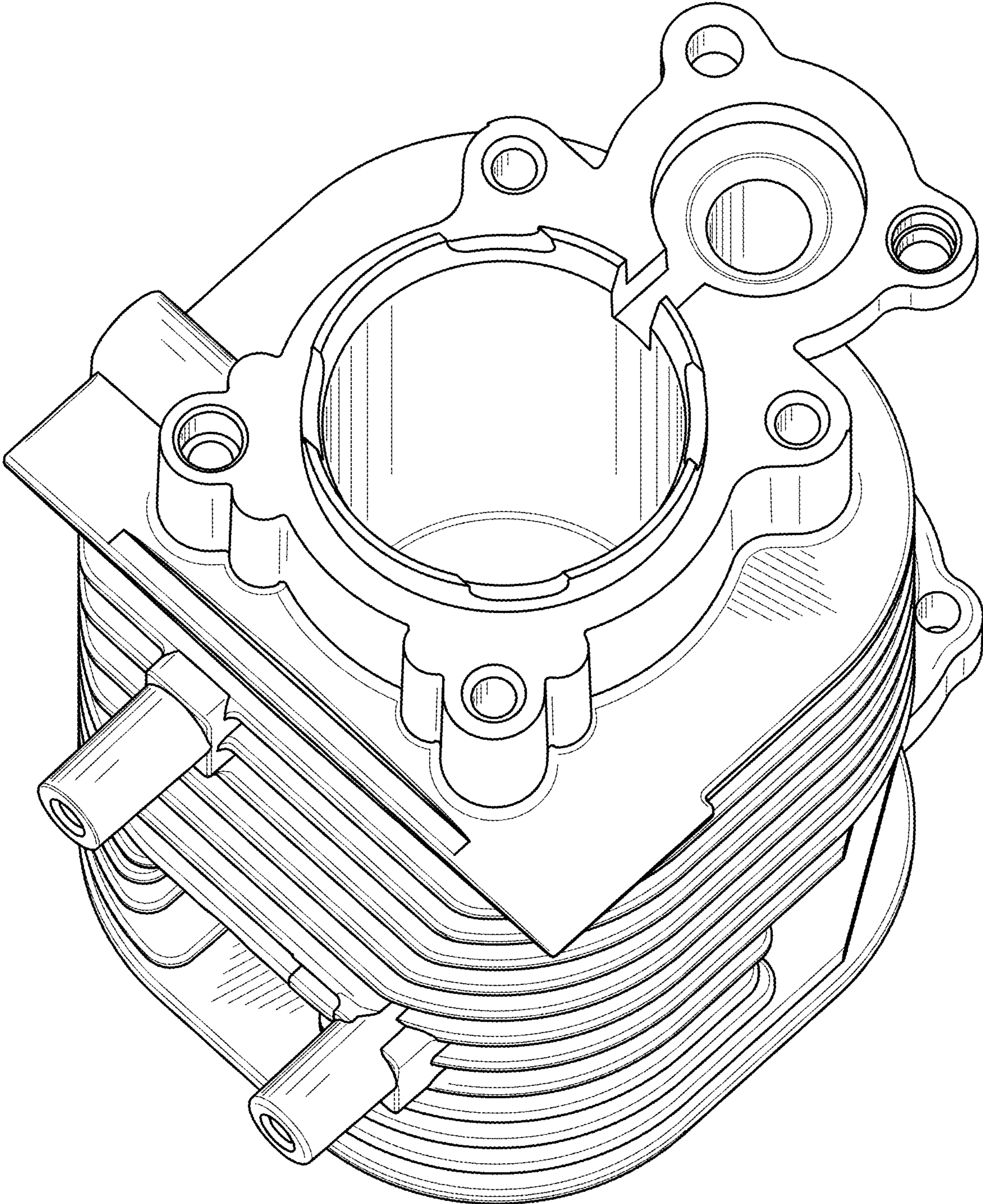


FIG. 10