

US00D926196S

(12) **United States Design Patent**
Lyu

(10) **Patent No.:** **US D926,196 S**
(45) **Date of Patent:** **** Jul. 27, 2021**

(54) **ARTICULATING ARM MONITOR STAND**

FOREIGN PATENT DOCUMENTS

(71) Applicant: **Yaqi Lyu**, Shenzen (CN)

CN 302551477 * 8/2013
CN 302931518 * 9/2014

(72) Inventor: **Yaqi Lyu**, Shenzen (CN)

(Continued)

(**) Term: **15 Years**

OTHER PUBLICATIONS

(21) Appl. No.: **29/730,497**

Amazon. Link: https://www.amazon.com/dp/B07T3KCQ94/ref=cm_sw_em_r_mt_dp_dlc_Pst0Fb3SS0RNP?_encoding=UTF8&psc=1. Jul. 26, 2019. HUANUO Single Monitor Mount. (Year: 2019).*

(22) Filed: **Apr. 5, 2020**

(Continued)

(51) **LOC (13) Cl.** **14-02**

(52) **U.S. Cl.**

USPC **D14/452**

(58) **Field of Classification Search**

USPC D14/447-452, 239, 371, 372, 373, 374,
D14/125, 127, 128, 129, 335-337, 375,
D14/376, 377, 341, 126; D8/355, 363,
D8/373; D6/672, 682

CPC F16M 11/2085; F16M 11/2092; F16M
11/2007; F16M 11/2014; F16M 11/2021;
F16M 11/105; F16M 11/10; F16M
11/048; F16M 11/12; F16M 13/022

See application file for complete search history.

Primary Examiner — Lauren D McVey

(57) **CLAIM**

The ornamental design for a articulating arm monitor stand, as shown and described.

DESCRIPTION

(56) **References Cited**

U.S. PATENT DOCUMENTS

7,694,927	B2 *	4/2010	Chuang	F16M 11/041 248/276.1
D660,308	S *	5/2012	Huang	D14/452
D740,830	S *	10/2015	Chu	D14/452
9,746,128	B2 *	8/2017	Huang	F16M 11/22
9,797,544	B1 *	10/2017	Smed	F16M 11/2085
9,890,899	B2 *	2/2018	Theis	F16M 13/022
10,323,791	B1 *	6/2019	Liu	F16B 2/065
10,349,739	B2 *	7/2019	Corbo	A47B 21/04
D871,380	S	12/2019	Fehr		
D872,719	S	1/2020	Knapp		
10,578,242	B2 *	3/2020	Hung	F16M 11/20
D918,218	S *	5/2021	Lyu	D14/452
2010/0327129	A1 *	12/2010	Chen	F16M 11/2092 248/121
2011/0079692	A1 *	4/2011	Li	F16M 13/022 248/220.21

(Continued)

FIG. 1 is a perspective view of a articulating arm monitor stand showing my new design in a first extended configuration;

FIG. 2 is a perspective view of the articulating arm monitor stand in a second extended configuration;

FIG. 3 is a front elevational view of FIG. 1;

FIG. 4 is a rear elevational view thereof;

FIG. 5 is a left side elevational view thereof;

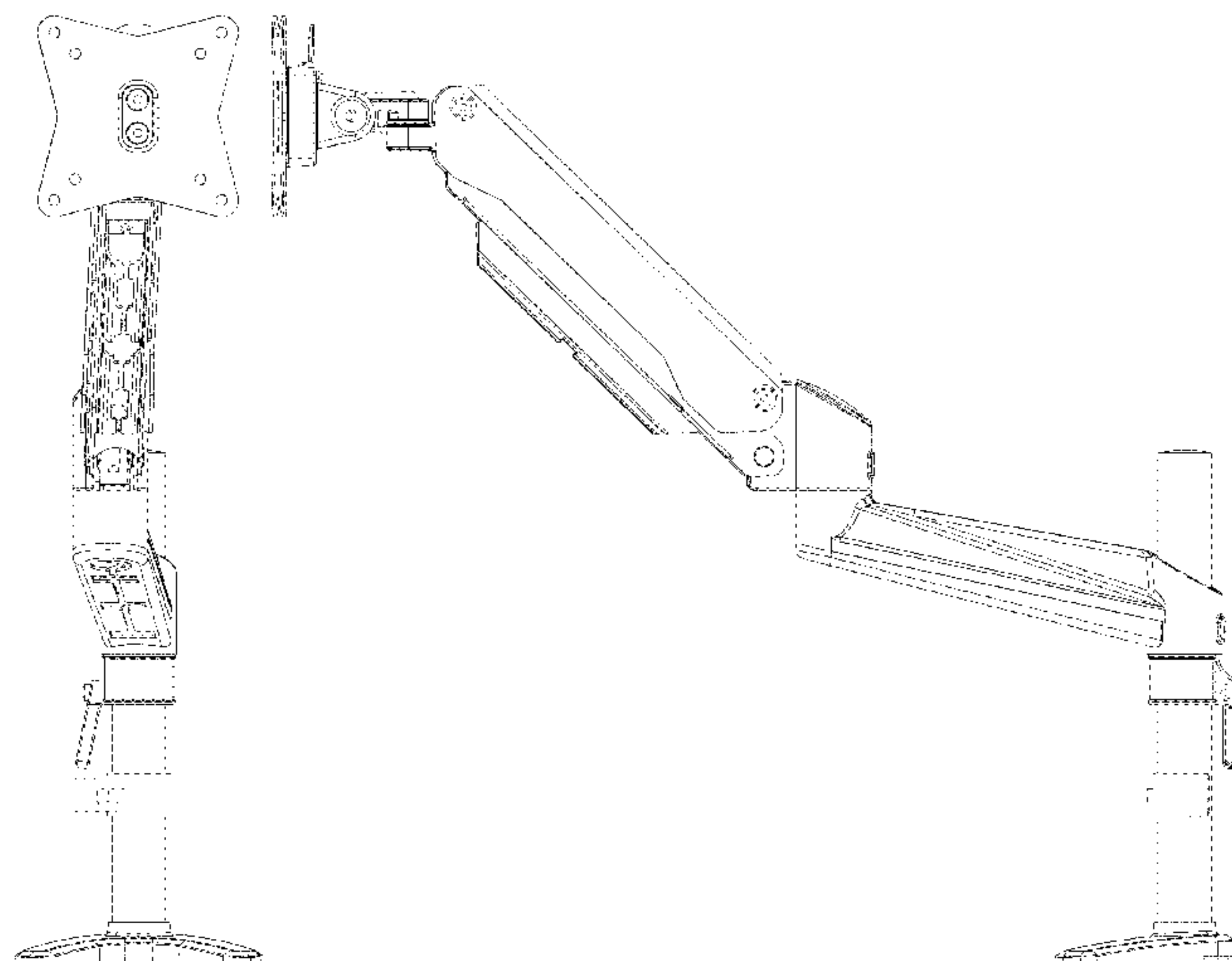
FIG. 6 is a right side elevational view thereof;

FIG. 7 is a top plan view thereof; and,

FIG. 8 is a bottom plan view thereof.

The broken lines immediately adjacent to the claim depict the bounds of the claimed design, while all other broken lines are directed to environment. The broken lines form no part of the claimed design. The wire frame lines shown throughout the views indicate surface contour.

1 Claim, 8 Drawing Sheets



(56)

References Cited

U.S. PATENT DOCUMENTS

2012/0267497 A1* 10/2012 Bowman F16M 11/2014
248/280.11
2016/0352054 A1* 12/2016 Xiang F16M 11/2007

FOREIGN PATENT DOCUMENTS

CN 305240877 * 7/2019
GB 3014482 * 10/2003

OTHER PUBLICATIONS

Amazon. Link: https://www.amazon.com/dp/B08BFD8FYZ/ref=cm_sw_em_r_mt_dp_Hut0FbJ6RH0PP?_encoding=UTF8&psc=1. Jun. 18, 2020. ErGear Single Monitor Mount Stand. (Year: 2020).*

Amazon. Link: https://www.amazon.com/dp/B07Z7YNCBW/ref=cm_sw_em_r_mt_dp_Swt0FbXZVR8ZV. Dec. 1, 2019. HUANUO Monitor Mount Stand—Single Arm Gas Spring Monitor Desk Mount. (Year: 2019).*

* cited by examiner

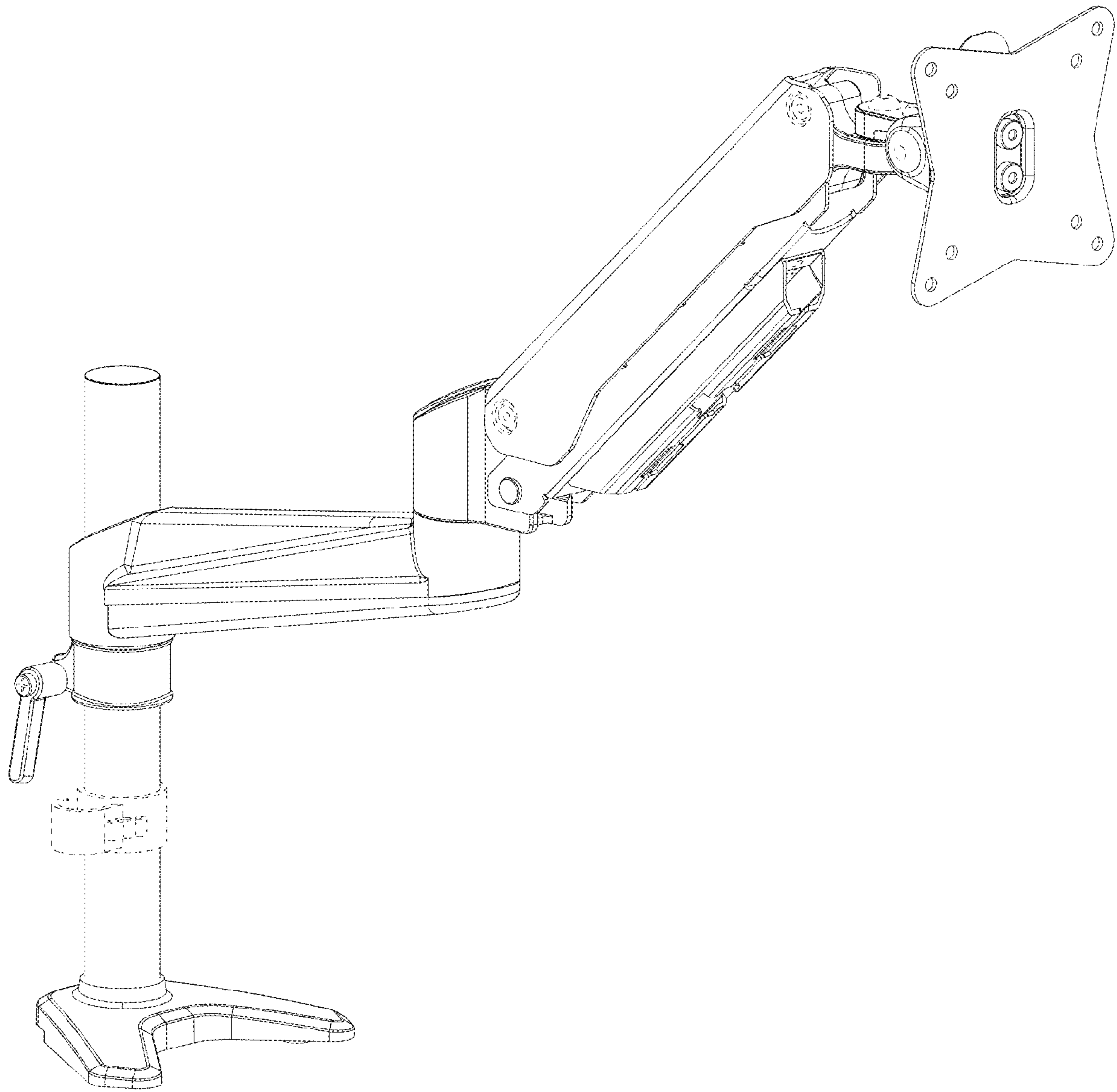


FIG. 1

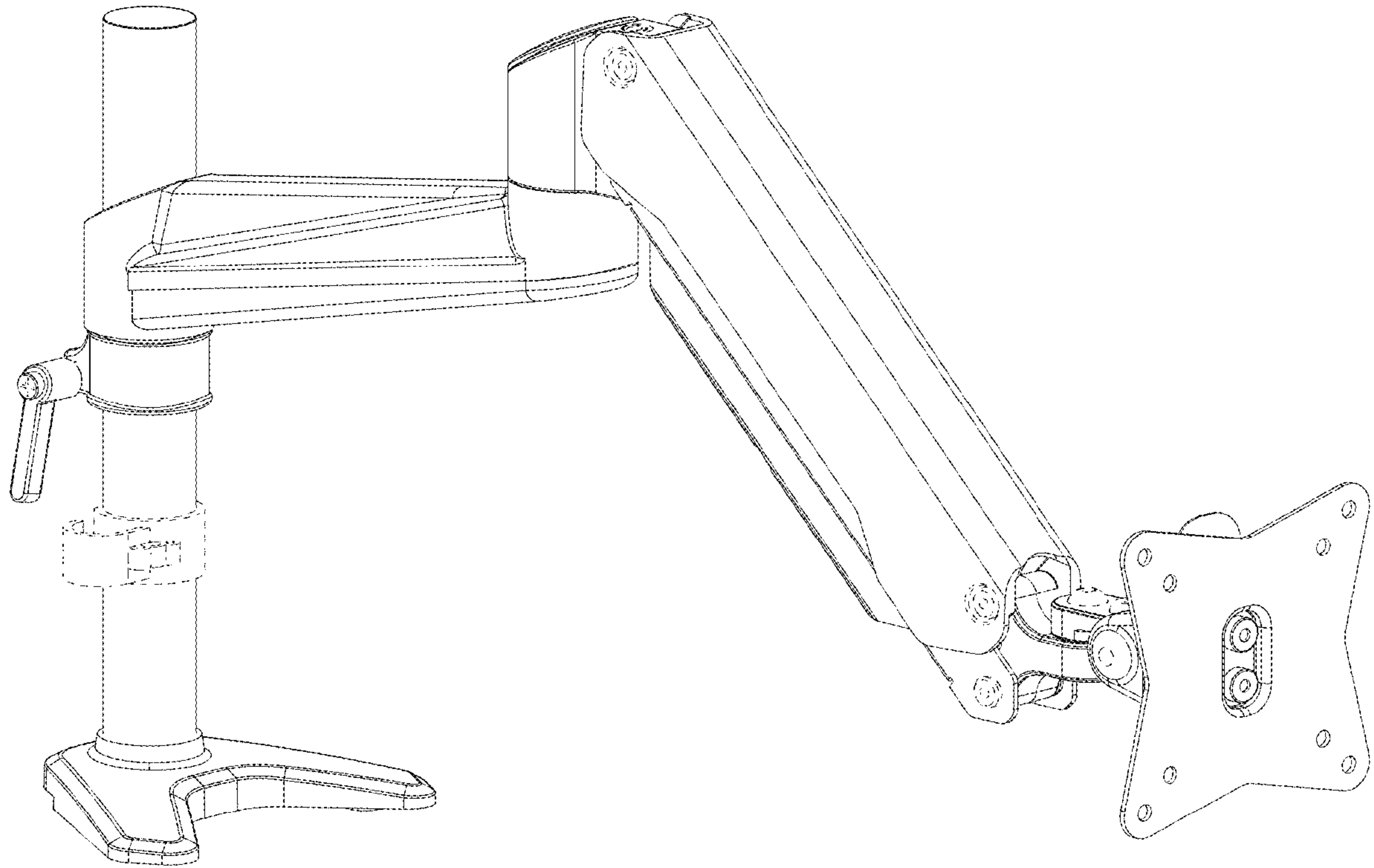


FIG. 2

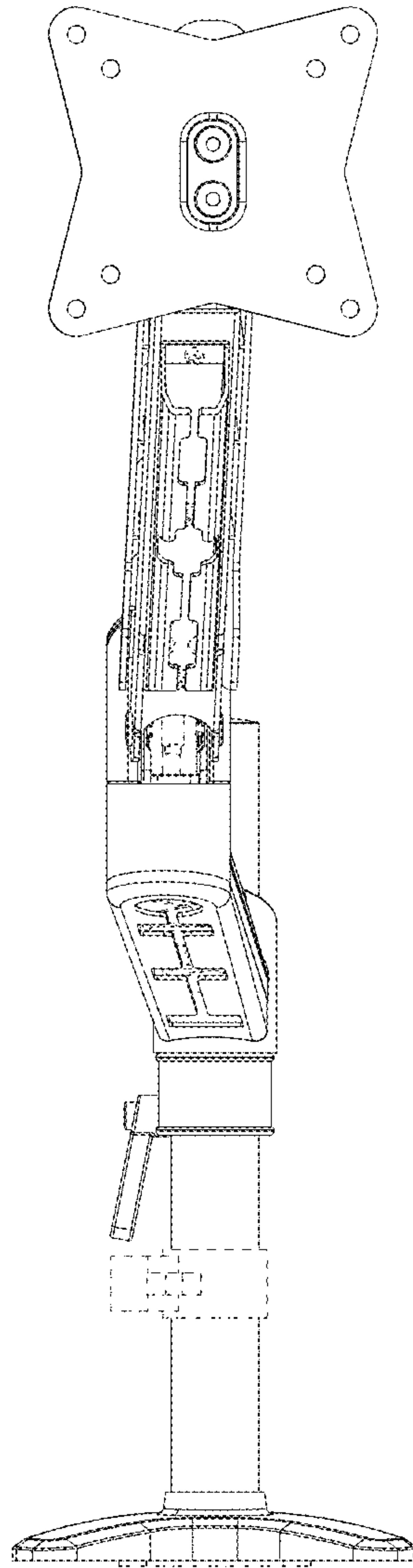


FIG. 3

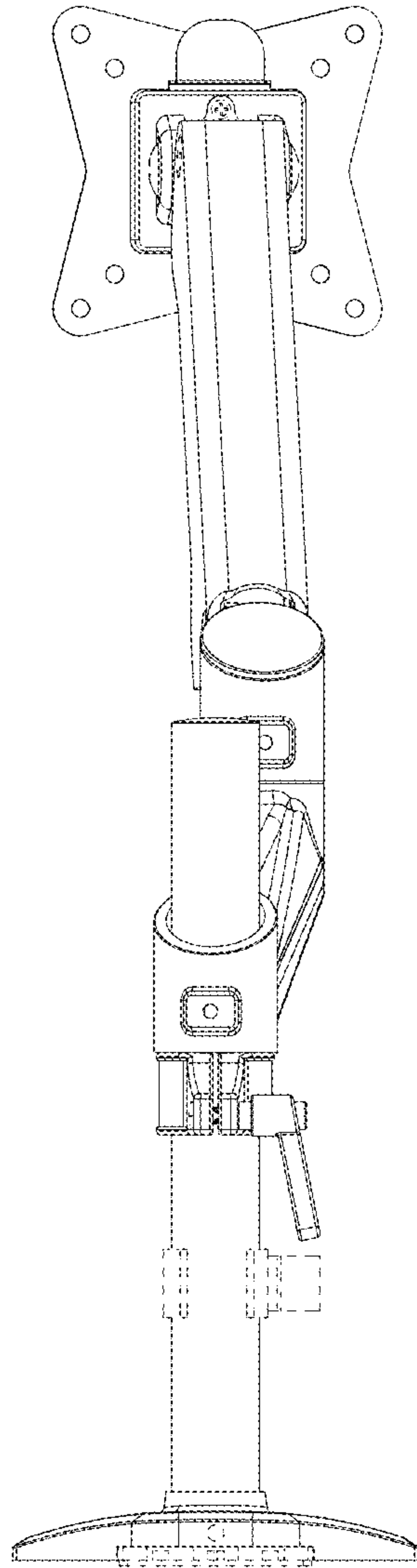


FIG. 4

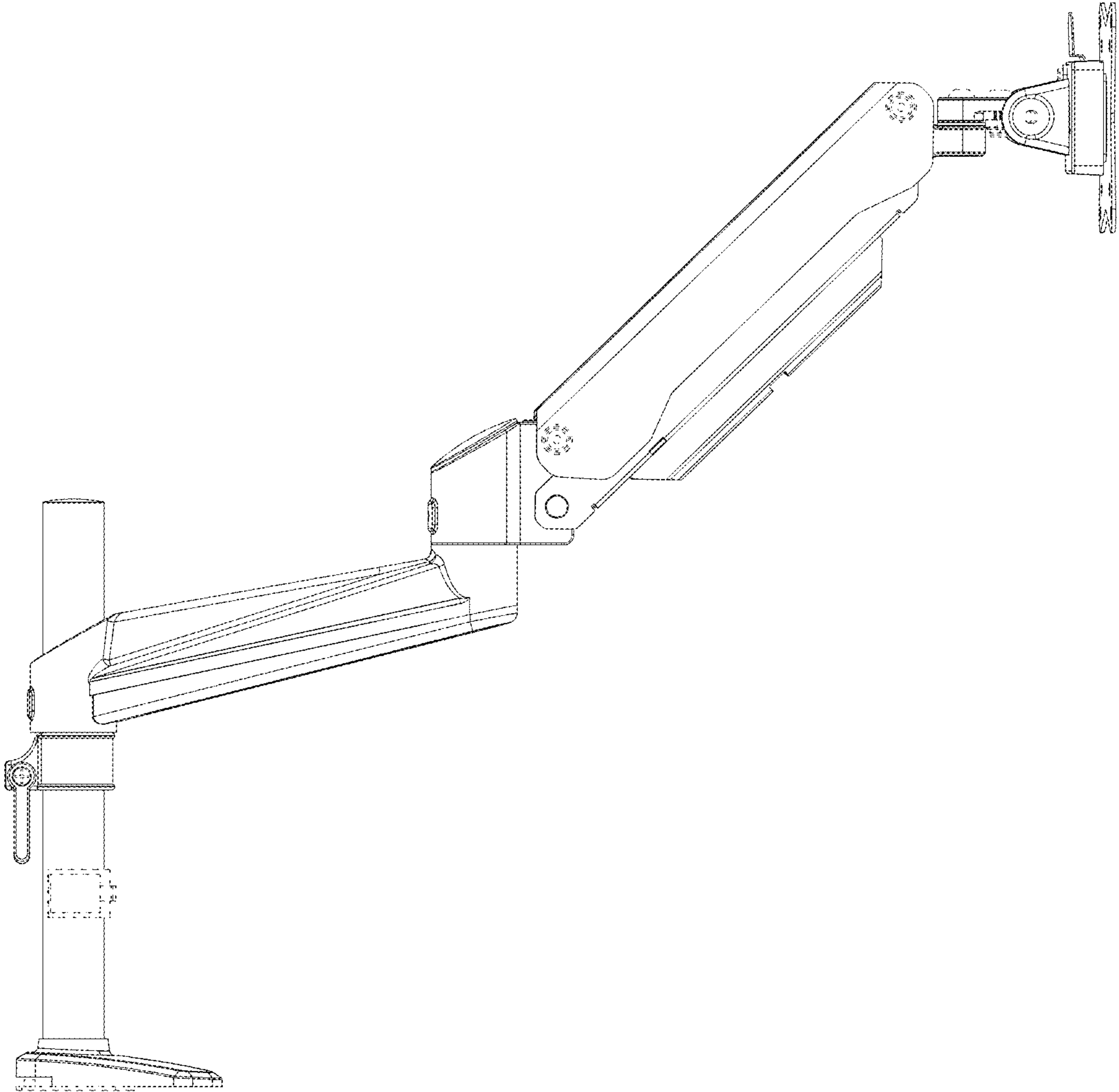


FIG. 5

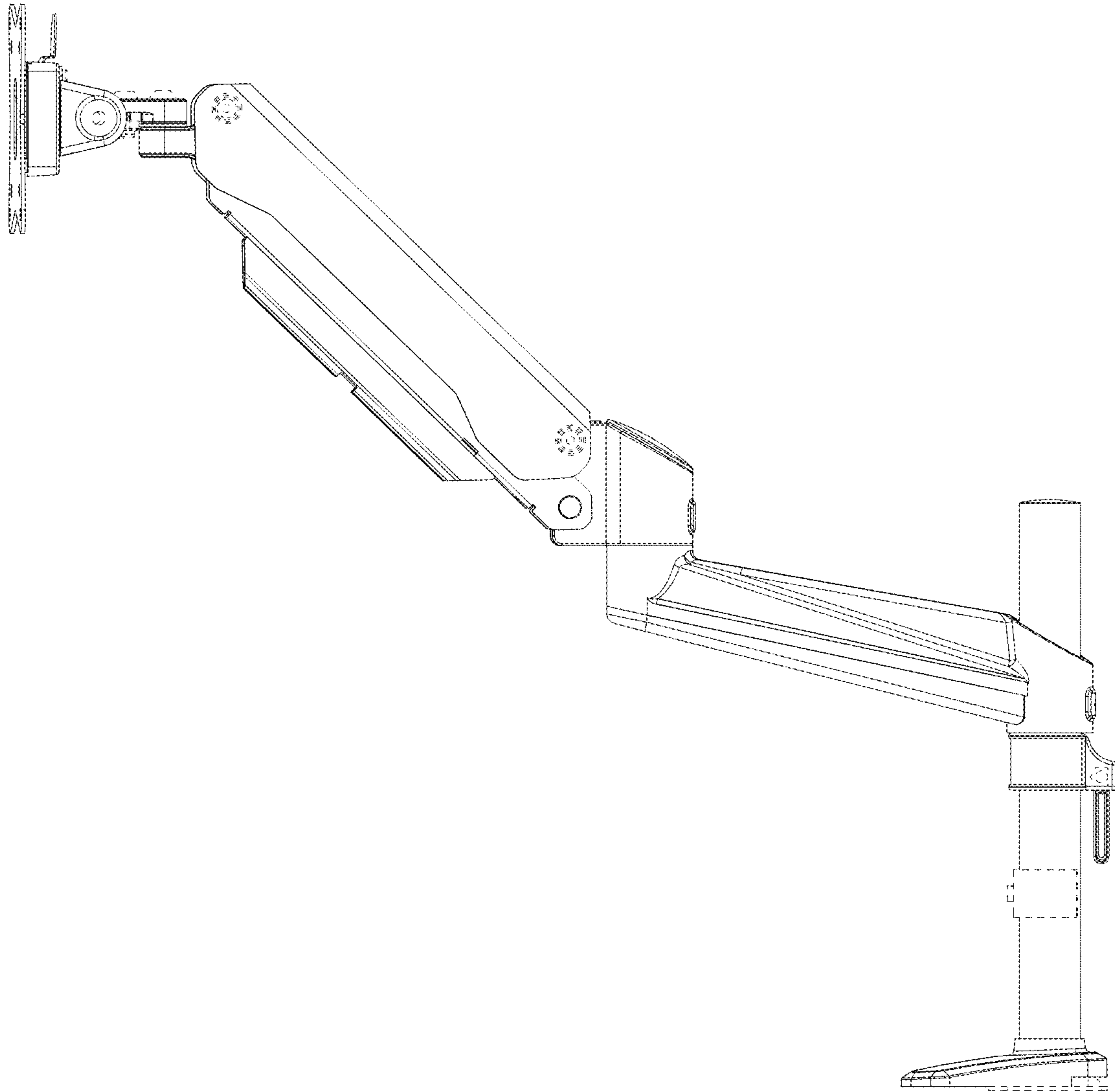


FIG. 6

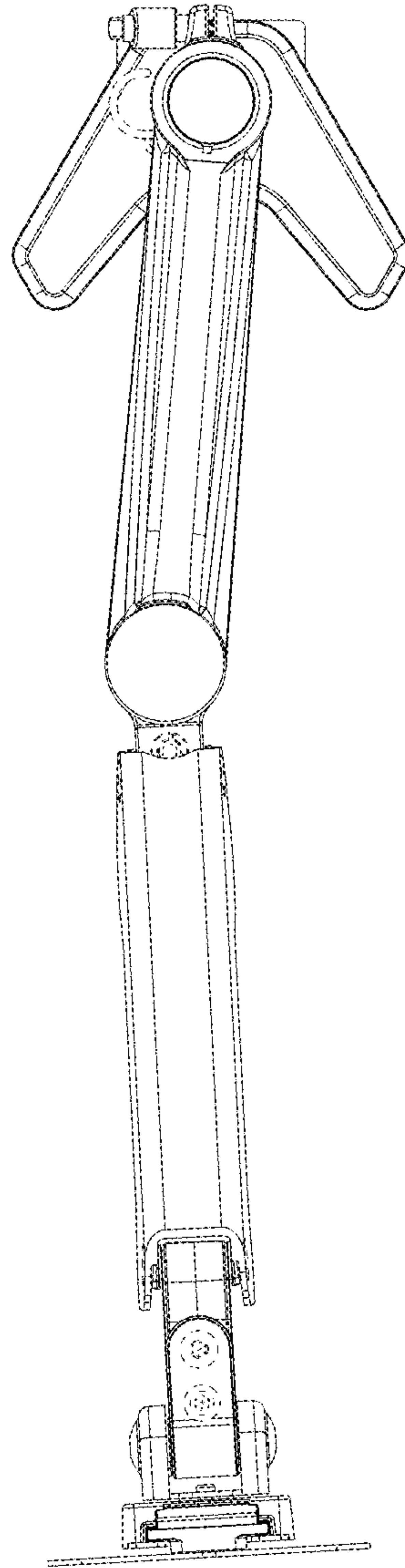


FIG. 7

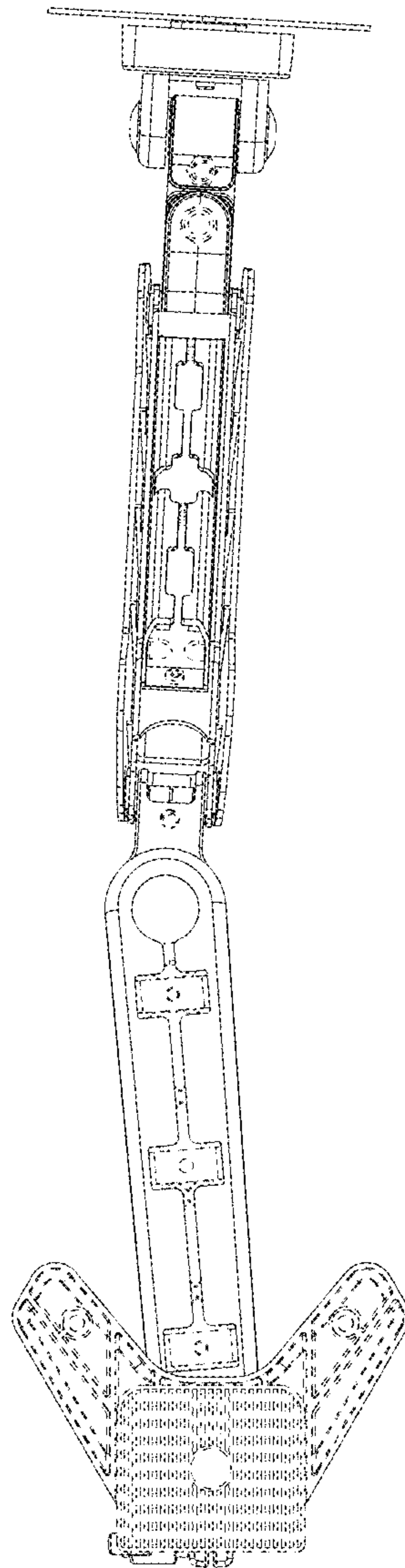


FIG. 8