



US00D926194S

(12) **United States Design Patent**  
**Piper et al.**

(10) **Patent No.:** **US D926,194 S**  
(45) **Date of Patent:** **\*\* Jul. 27, 2021**

- (54) **CASE FOR PORTABLE ELECTRONIC COMPUTING DEVICE**
- (71) Applicant: **Pioneer Square Brands, Inc.**, Seattle, WA (US)
- (72) Inventors: **Brian Lewis Piper**, Seattle, WA (US); **Michael Cooper Ferren**, Camus, WA (US)
- (73) Assignee: **PIONEER SQUARE BRANDS, INC.**, McLean, VA (US)
- (\*\*) Term: **15 Years**
- (21) Appl. No.: **29/768,373**
- (22) Filed: **Jan. 29, 2021**
- (51) **LOC (13) Cl.** ..... **14-02**
- (52) **U.S. Cl.**  
USPC ..... **D14/440**
- (58) **Field of Classification Search**  
USPC ..... D14/440, 447, 250; 206/45.23, 320, 206/45.2; 361/679.55; 294/25; 224/218  
CPC ... G06F 1/1628; G06F 1/1626; A47B 23/044; H04B 1/3888  
See application file for complete search history.

- (56) **References Cited**  
U.S. PATENT DOCUMENTS
- 4,259,568 A \* 3/1981 Dynesen ..... G06F 15/0216  
206/305
- 5,375,076 A \* 12/1994 Goodrich ..... G06F 1/1626  
361/679.17
- 7,042,712 B2 \* 5/2006 Ghosh ..... G06F 1/1605  
206/320
- 8,139,357 B2 \* 3/2012 Trang ..... G06F 1/203  
361/679.59
- D658,188 S 4/2012 Diebel
- D681,641 S 5/2013 Van Den Nieuwenhuizen et al.

- D709,510 S 7/2014 Soare
- 9,227,763 B2 \* 1/2016 Gengler ..... G06F 1/16
- D753,648 S \* 4/2016 Shyu ..... D14/315
- D772,880 S \* 11/2016 Corcoran ..... D14/440
- 9,489,054 B1 \* 11/2016 Sumsion ..... G06F 1/1681
- D801,976 S \* 11/2017 Li ..... D14/440
- D808,395 S 1/2018 Fenton
- D810,732 S 2/2018 Fenton et al.
- D816,087 S 4/2018 Fenton et al.
- D817,334 S 5/2018 Fenton et al.
- D837,219 S 1/2019 Gao
- D837,796 S 1/2019 Kim et al.
- D852,201 S 1/2019 Chan et al.
- D841,012 S 2/2019 Kim et al.
- D841,013 S 2/2019 Ferren et al.
- D861,698 S 2/2019 Fenton et al.
- D844,611 S 4/2019 Ferren et al.
- D847,817 S 5/2019 Cheng
- D848,441 S 5/2019 Ferren et al.
- D850,452 S 6/2019 Akana et al.
- D850,454 S 6/2019 Kim et al.

(Continued)

*Primary Examiner* — Cynthia R Underwood  
(74) *Attorney, Agent, or Firm* — Grandview Law

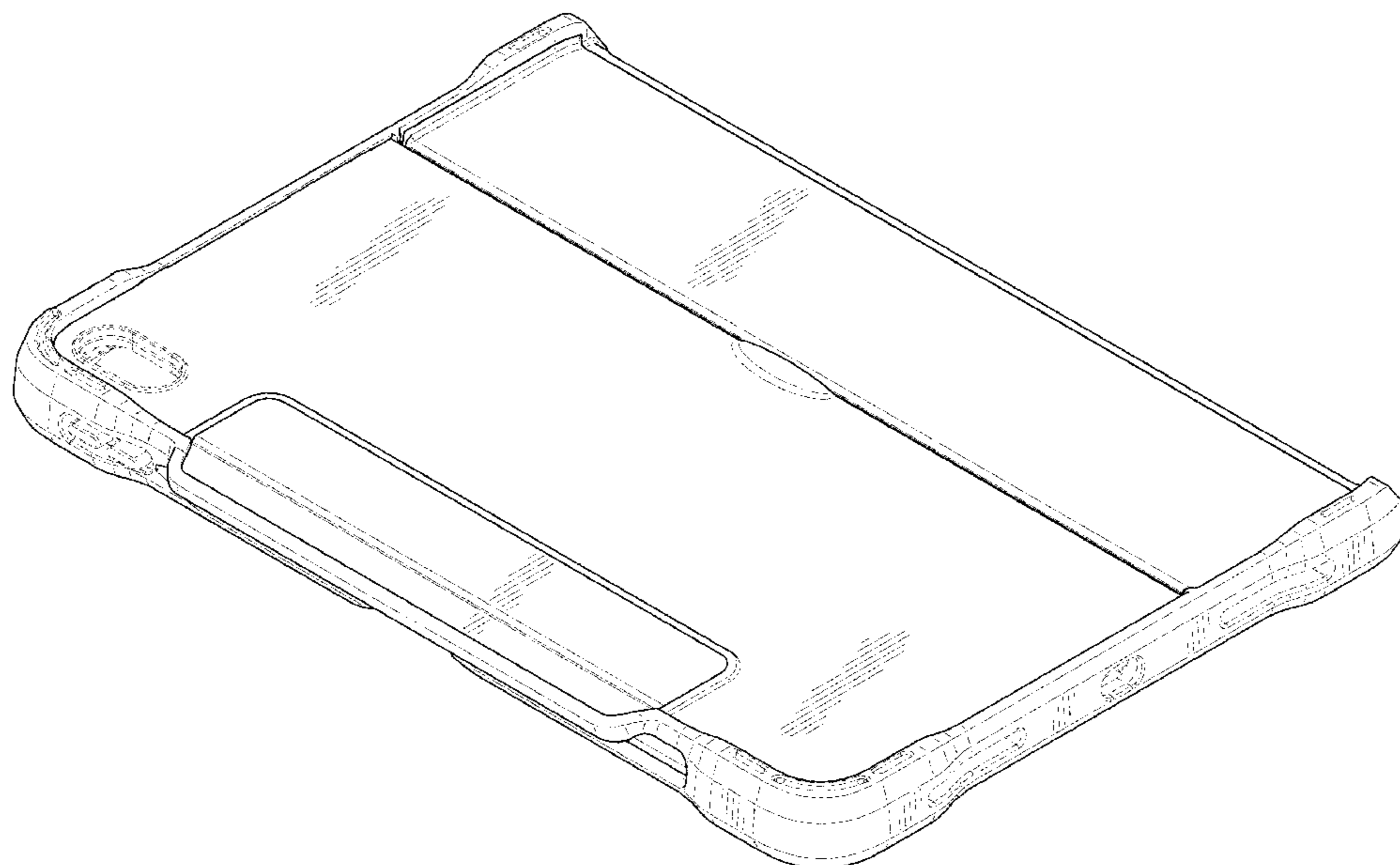
(57) **CLAIM**

The ornamental design for a case for portable electronic computing device, as shown and described.

**DESCRIPTION**

FIG. 1 is a top perspective view of a case for portable electronic computing device showing our new design. FIG. 2 is a front elevational view thereof. FIG. 3 is a rear elevational view thereof. FIG. 4 is a right elevational view thereof. FIG. 5 is a left elevational view thereof. FIG. 6 is a top plan view thereof; and, FIG. 7 is a bottom plan view thereof. The features shown in broken lines in the drawing figures depict features that form no part of the claimed design.

**1 Claim, 7 Drawing Sheets**



(56)

References Cited

U.S. PATENT DOCUMENTS

D852,199 S	6/2019	Kim et al.					
D852,200 S	6/2019	Chan et al.					
D852,802 S	7/2019	Gao					
D863,314 S	7/2019	Chan et al.					
D863,315 S	7/2019	Chan et al.					
D864,210 S	7/2019	Chan et al.					
D863,316 S	9/2019	Chan et al.					
D862,480 S	10/2019	Chan et al.					
D863,317 S	10/2019	Piper et al.					
D868,789 S	12/2019	Weng					
D868,790 S	12/2019	Weng					
D874,467 S	2/2020	Piper et al.					
D881,895 S	4/2020	Liu					
D883,989 S	5/2020	Cheng					
D888,063 S	6/2020	Chan et al.					
D888,718 S	6/2020	Xu					
D892,128 S *	8/2020	Chen .....	D14/440				
D892,804 S	8/2020	Lin					
D892,806 S	8/2020	Manazo et al.					
D895,630 S	9/2020	Piper et al.					
D902,934 S	11/2020	Manzano et al.					
D905,698 S	12/2020	Wall					
D905,699 S	12/2020	Hyun					
D906,334 S	12/2020	Du					
				D906,338 S	12/2020	Hyun	
				D906,341 S	12/2020	Jiao	
				D907,638 S	1/2021	Yang	
				D908,129 S	1/2021	Nyholm et al.	
				D908,132 S *	1/2021	Poon .....	D14/440
				D908,708 S	1/2021	Miller et al.	
				D912,060 S *	3/2021	Zhu .....	D14/440
				D918,215 S *	5/2021	Hyun .....	D14/440
				D920,337 S *	5/2021	Chan .....	D14/440
				2001/0009500 A1 *	7/2001	Selker .....	G06F 3/0395 361/679.55
				2009/0017883 A1 *	1/2009	Lin .....	H04M 1/026 455/575.8
				2010/0294909 A1 *	11/2010	Hauser .....	B42D 9/00 248/456
				2012/0140396 A1 *	6/2012	Zeliff .....	G06F 1/1632 361/679.09
				2012/0194448 A1 *	8/2012	Rothkopf .....	G06F 1/1616 345/173
				2014/0139989 A1 *	5/2014	Mori .....	G06F 1/1626 361/679.09
				2015/0280768 A1 *	10/2015	Huang .....	H04B 1/3888 455/575.8
				2015/0296060 A1 *	10/2015	Gu .....	G06F 1/162 455/575.4
				2016/0349794 A1 *	12/2016	Yeh .....	G06F 3/0426

\* cited by examiner

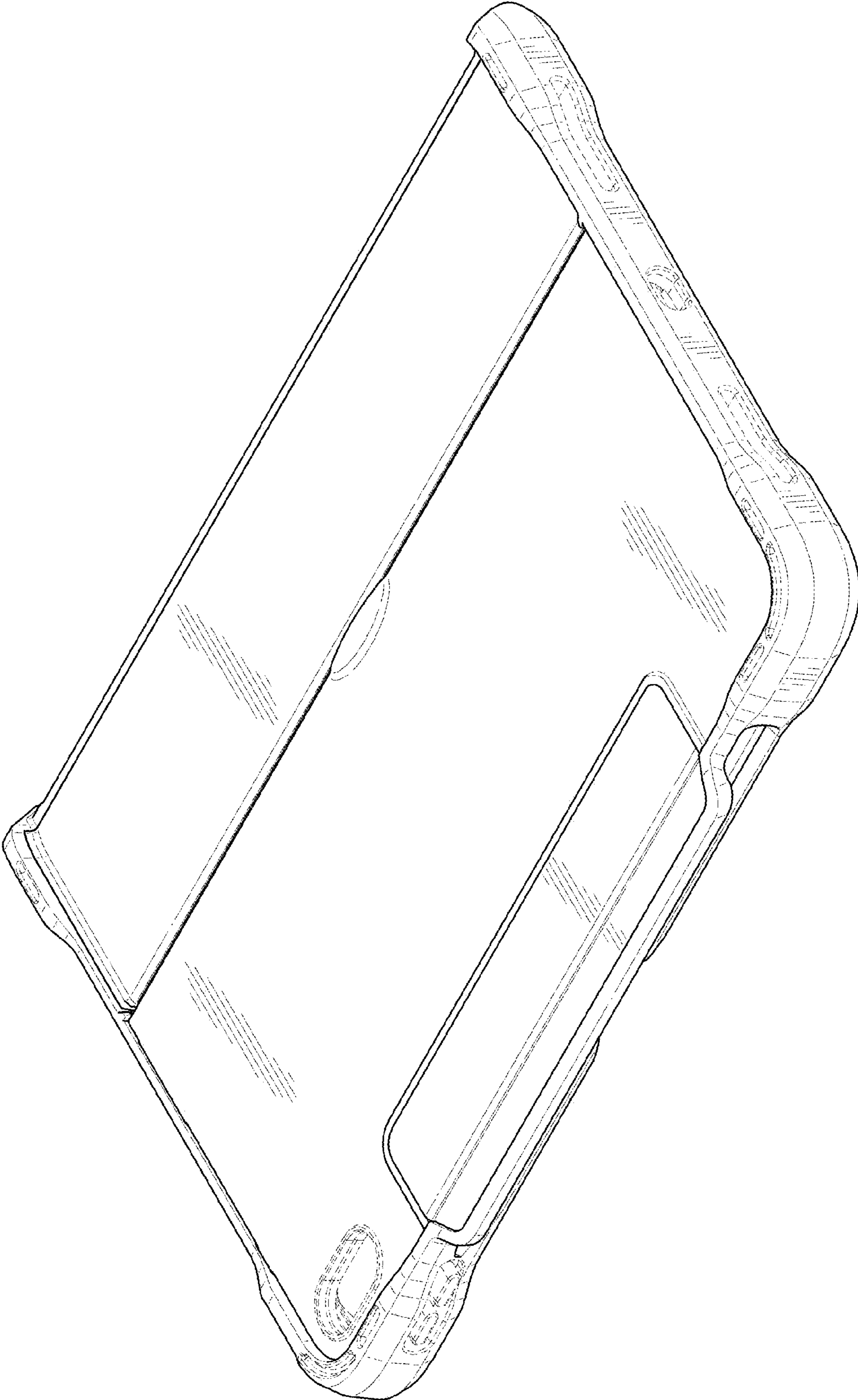


FIG. 1

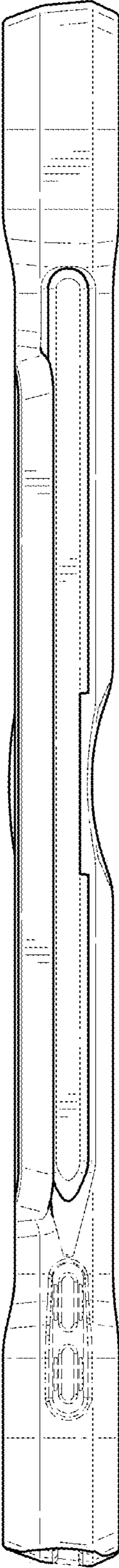


FIG. 2

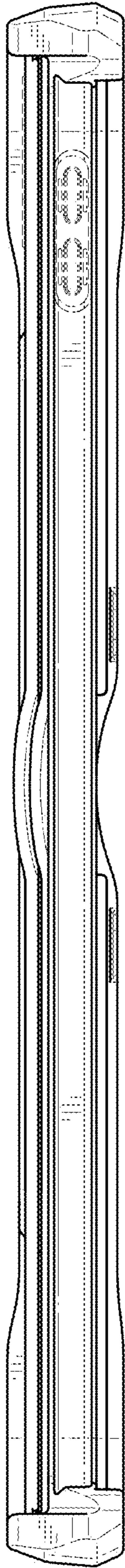


FIG. 3

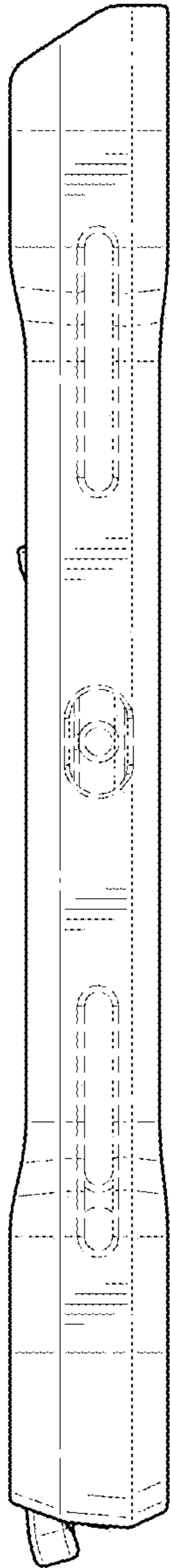


FIG. 4

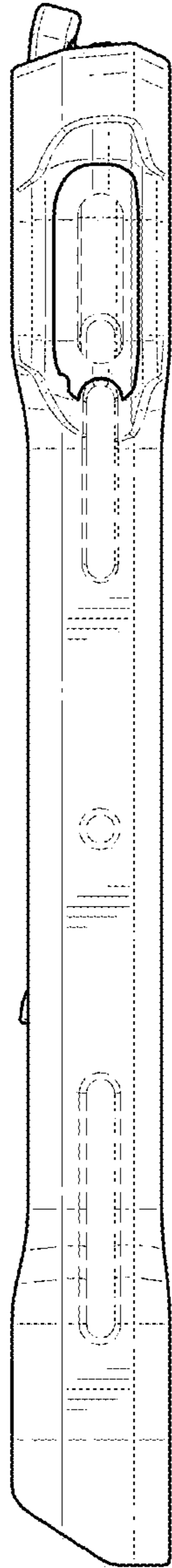


FIG. 5

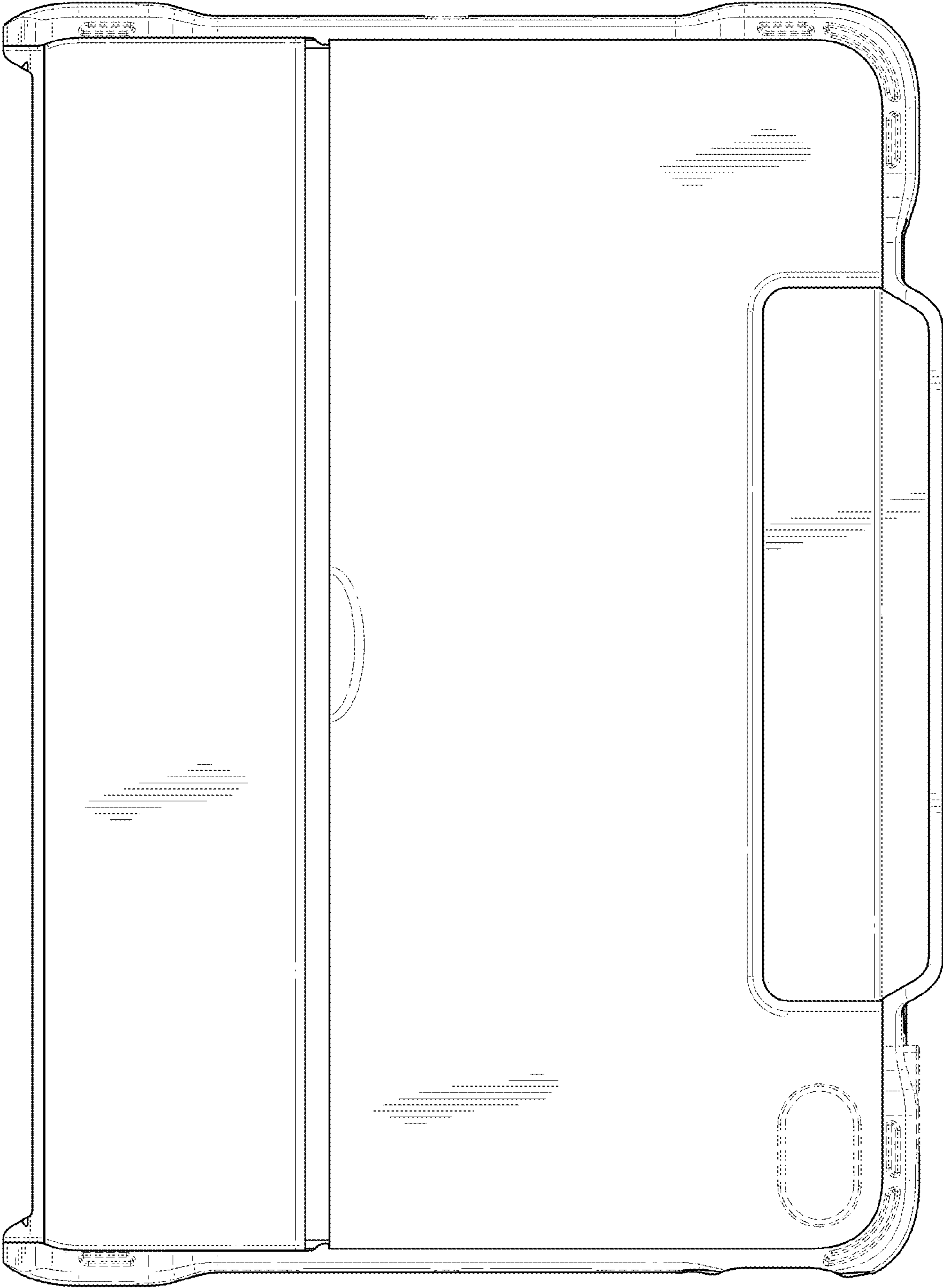


FIG. 6



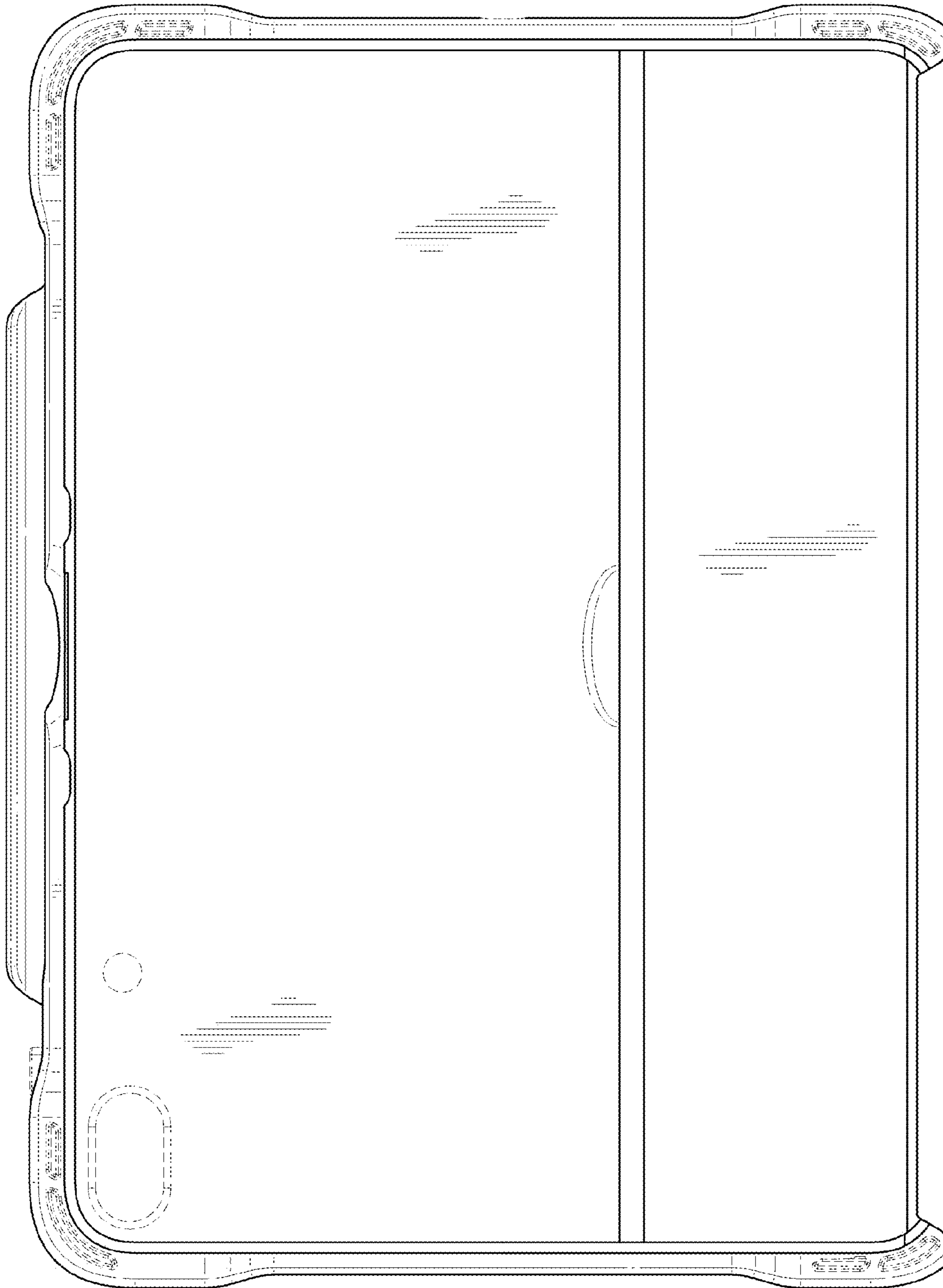


FIG. 7