



US00D926193S

(12) **United States Design Patent** (10) **Patent No.:** **US D926,193 S**  
**Ma** (45) **Date of Patent:** **\*\* Jul. 27, 2021**

(54) **TABLET COVER**

(71) Applicant: **Wenhong Ma**, Shenzhen (CN)

(72) Inventor: **Wenhong Ma**, Shenzhen (CN)

(\*\*) Term: **15 Years**

(21) Appl. No.: **29/752,395**

(22) Filed: **Sep. 27, 2020**

(51) **LOC (13) Cl.** ..... **14-02**

(52) **U.S. Cl.**  
USPC ..... **D14/440**

(58) **Field of Classification Search**  
USPC ..... D14/440, 447, 250; 206/45.23, 320,  
206/45.2; 361/679.55; 294/25; 224/218  
CPC ... G06F 1/1628; G06F 1/1626; A47B 23/044;  
H04B 1/3888  
See application file for complete search history.

(56) **References Cited**

**U.S. PATENT DOCUMENTS**

- 6,726,070 B2 \* 4/2004 Lautner ..... A44C 5/0007  
224/221
- D492,303 S \* 6/2004 Schlieffers ..... D14/341
- D591,801 S \* 5/2009 Mak ..... D21/469
- D594,004 S \* 6/2009 Takemasa ..... D14/341
- D611,467 S \* 3/2010 Gou ..... D14/315
- D613,285 S \* 4/2010 Grant ..... D14/341
- D626,123 S \* 10/2010 Peng ..... D14/324
- D676,449 S \* 2/2013 Probst ..... D14/440
- D685,376 S \* 7/2013 Kim ..... D14/439
- D689,056 S \* 9/2013 Li ..... D14/440
- D690,704 S \* 10/2013 Padilla ..... D14/440
- D691,144 S \* 10/2013 Peters ..... D14/440
- D694,246 S \* 11/2013 Park ..... D14/440
- D703,672 S \* 4/2014 Kim ..... D14/440
- 8,690,210 B1 \* 4/2014 May ..... G06F 1/163  
294/25
- D712,412 S \* 9/2014 Bleau ..... D14/440

- D721,075 S \* 1/2015 Toda ..... D14/342
- D721,376 S \* 1/2015 Lee ..... D14/440
- D725,659 S \* 3/2015 Tussy ..... D14/440
- D727,917 S \* 4/2015 Yeo ..... D14/440
- D733,154 S \* 6/2015 Armstrong ..... D14/440
- D741,335 S \* 10/2015 Bastian ..... D14/440
- D747,321 S \* 1/2016 London ..... D14/440
- D749,592 S \* 2/2016 Huang ..... D14/440
- D752,052 S \* 3/2016 Park ..... D14/440
- D763,853 S \* 8/2016 Pearce ..... D14/440
- D765,085 S \* 8/2016 Moore ..... D14/440
- 9,407,743 B1 \* 8/2016 Hirshberg ..... H04M 1/04
- D771,030 S \* 11/2016 Tussy ..... D14/250
- D784,350 S \* 4/2017 Li ..... D14/440
- D797,106 S \* 9/2017 Paolizzi ..... D14/426
- D811,412 S \* 2/2018 McCurdy ..... D14/440
- D830,368 S 10/2018 Zhang
- D872,091 S 1/2020 Lu
- D906,337 S \* 12/2020 Cheng ..... D14/440
- 2004/0226973 A1 \* 11/2004 Kao ..... F16M 11/041  
224/218

(Continued)

*Primary Examiner* — Cynthia R Underwood

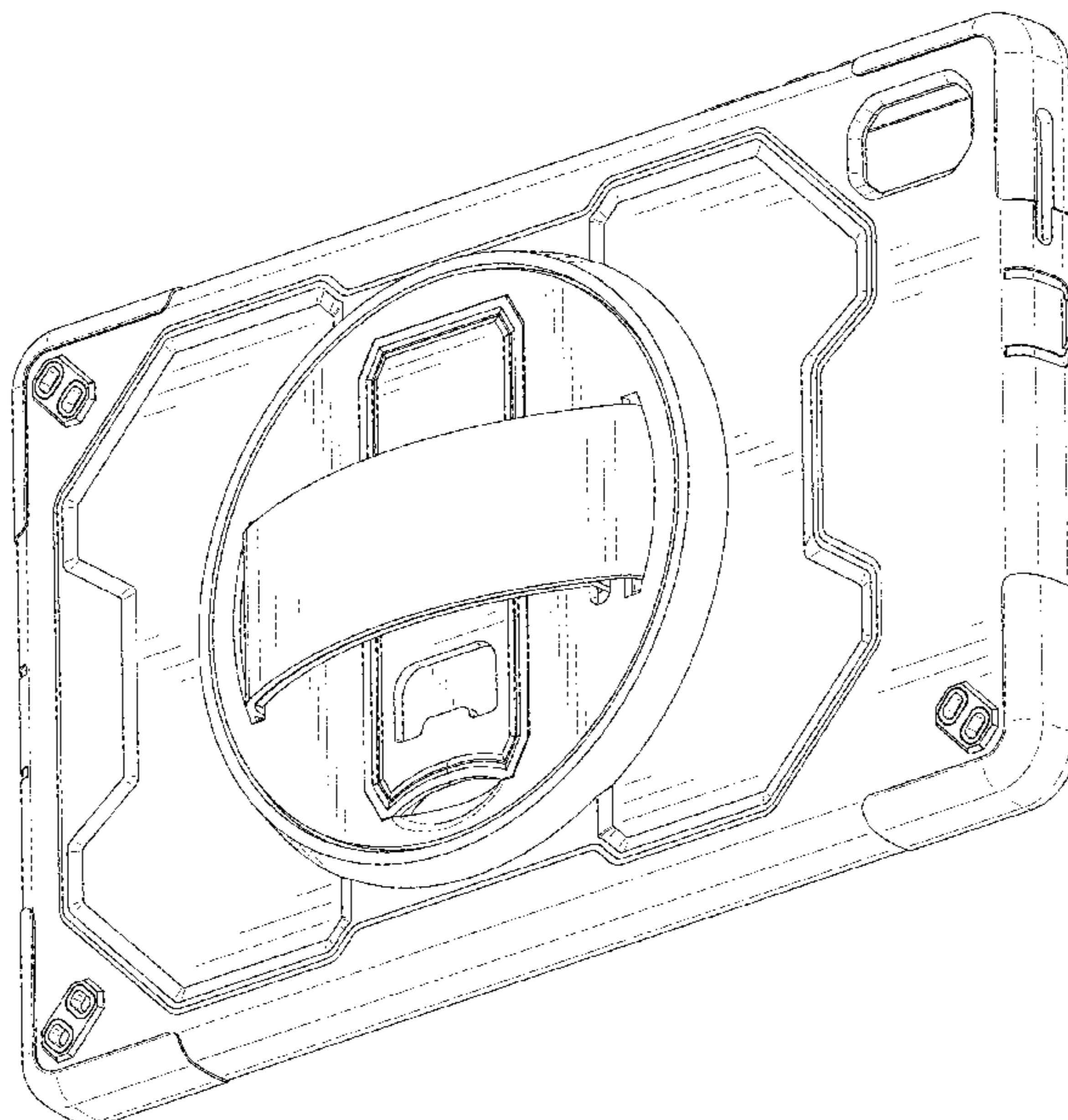
(57) **CLAIM**

The ornamental design for a tablet cover, as shown and described.

**DESCRIPTION**

FIG. 1 is a perspective view of a tablet cover showing my new design;  
FIG. 2 is another perspective view thereof;  
FIG. 3 is a front elevational view thereof;  
FIG. 4 is a rear elevational view thereof;  
FIG. 5 is a left side elevational view thereof;  
FIG. 6 is a right side elevational view thereof;  
FIG. 7 is a top plan view thereof; and,  
FIG. 8 is a bottom plan view thereof.  
The broken lines in the drawings depict portions of the tablet cover that form no part of the claimed design.

**1 Claim, 8 Drawing Sheets**



(56)

**References Cited**

U.S. PATENT DOCUMENTS

2007/0215512 A1\* 9/2007 Bellissimo ..... A47G 23/0625  
206/557  
2009/0219677 A1\* 9/2009 Mori ..... A45F 3/14  
361/679.03  
2011/0267748 A1\* 11/2011 Lane ..... A45F 5/00  
361/679.01  
2011/0309117 A1\* 12/2011 Roberts ..... A45F 5/00  
224/217  
2012/0091312 A1\* 4/2012 Baker ..... F16M 13/00  
248/682  
2014/0054910 A1\* 2/2014 Kim ..... H04B 1/385  
294/158  
2014/0152034 A1\* 6/2014 Tussy ..... F16M 13/04  
294/142  
2015/0009610 A1\* 1/2015 London ..... G06F 1/163  
361/679.03  
2015/0201743 A1\* 7/2015 Erickson-Davis ..... A45F 5/00  
224/218

\* cited by examiner

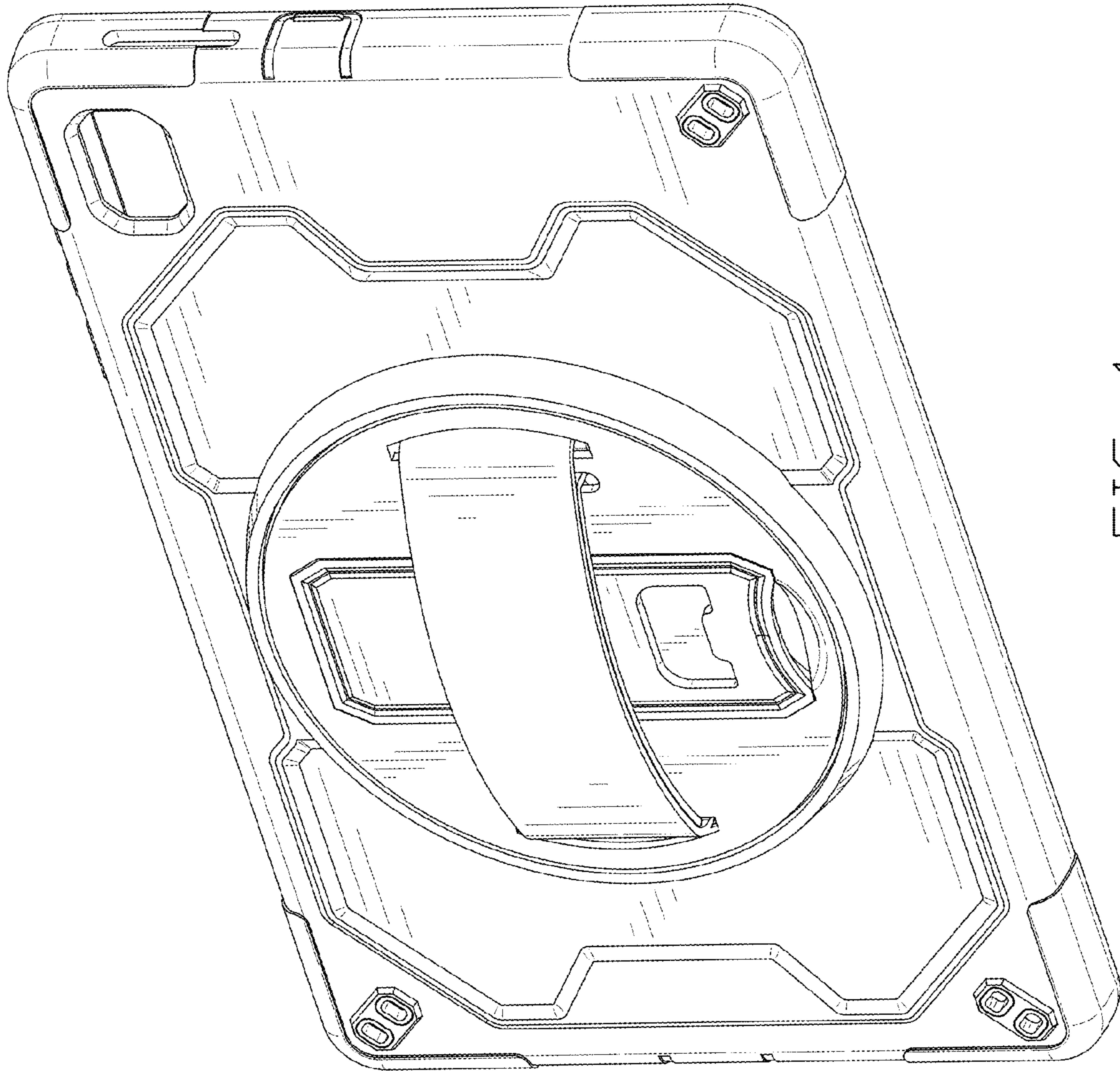


FIG. 1

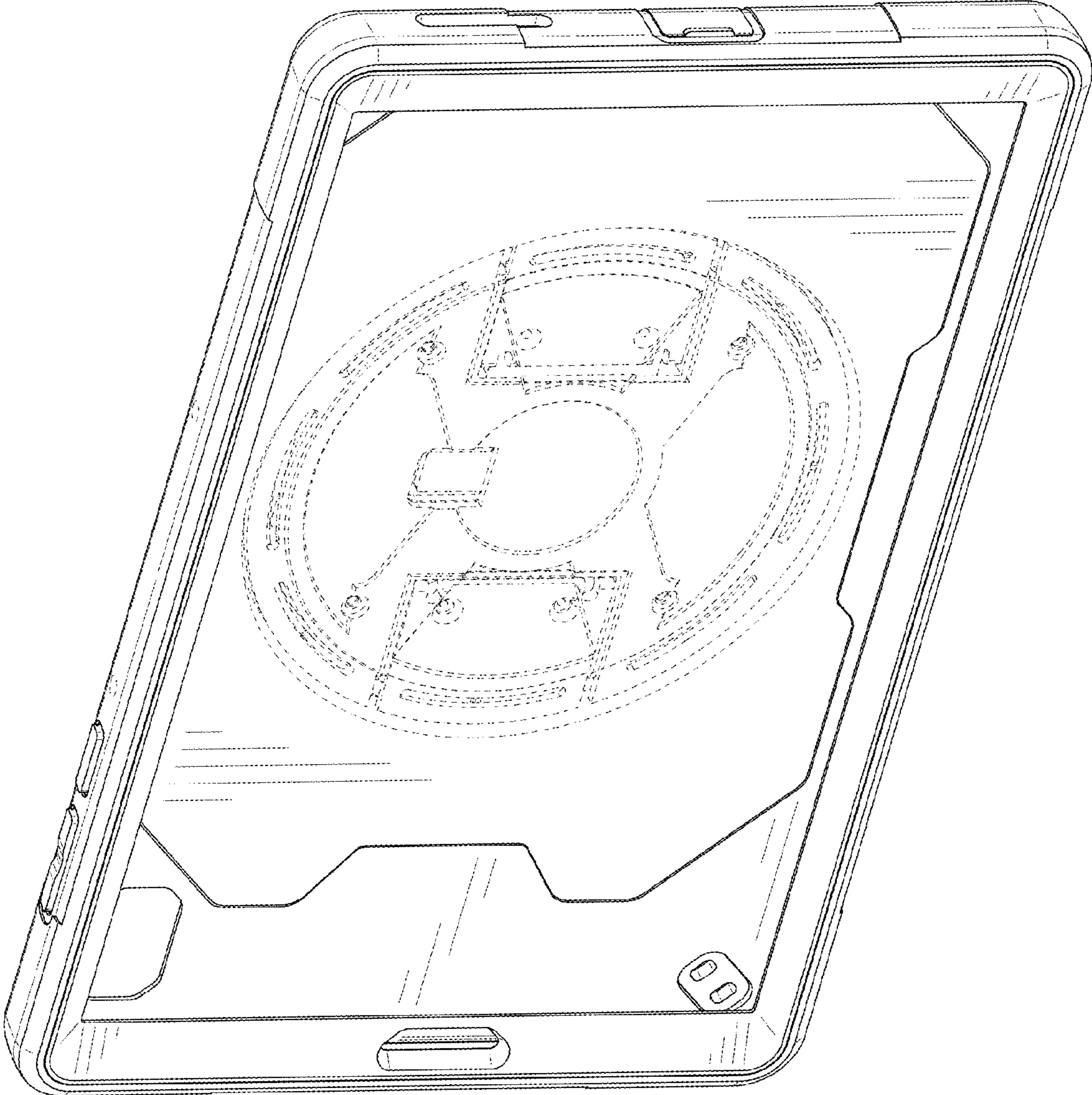


FIG. 2

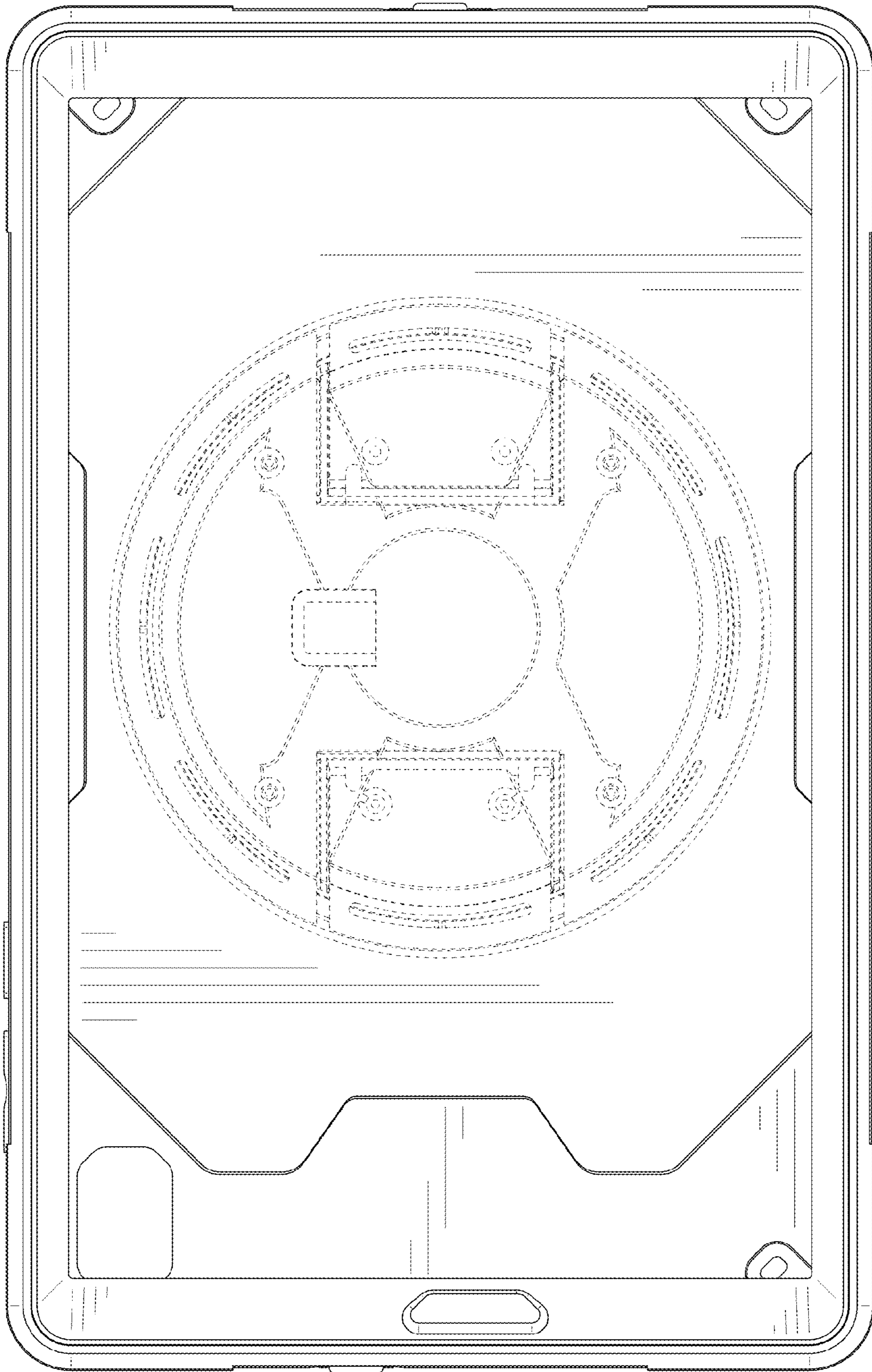


FIG. 3

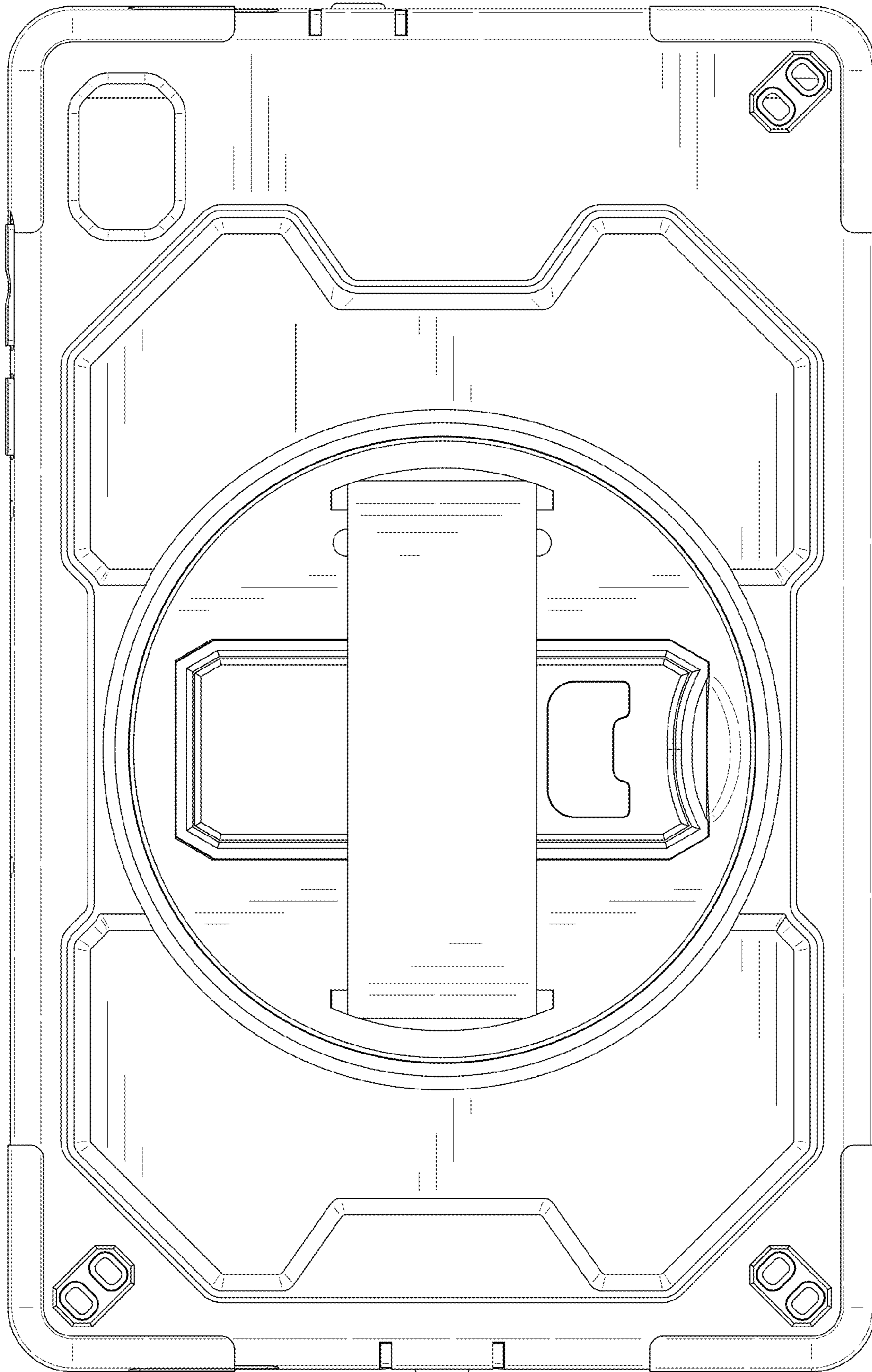


FIG. 4

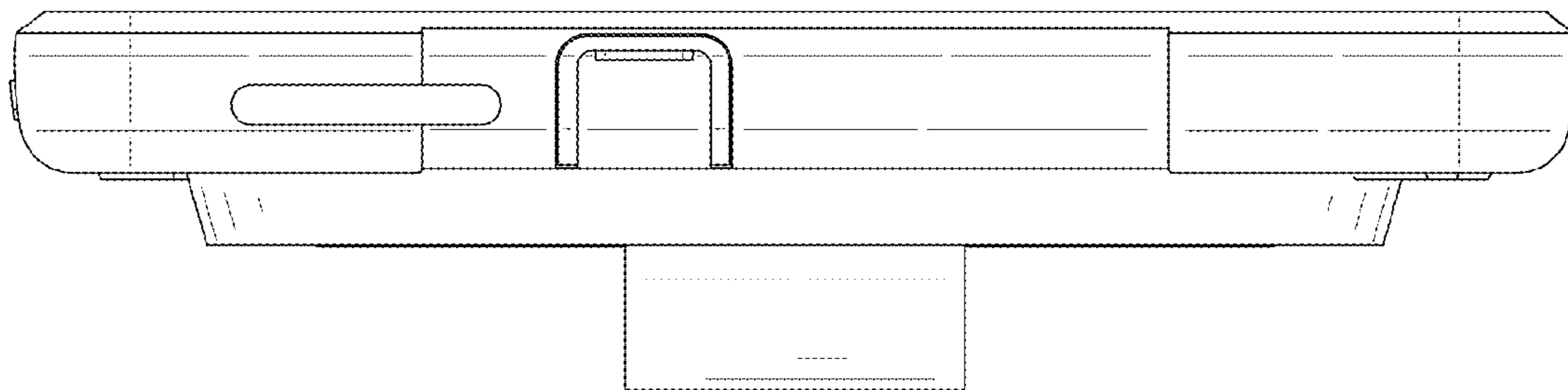


FIG. 5

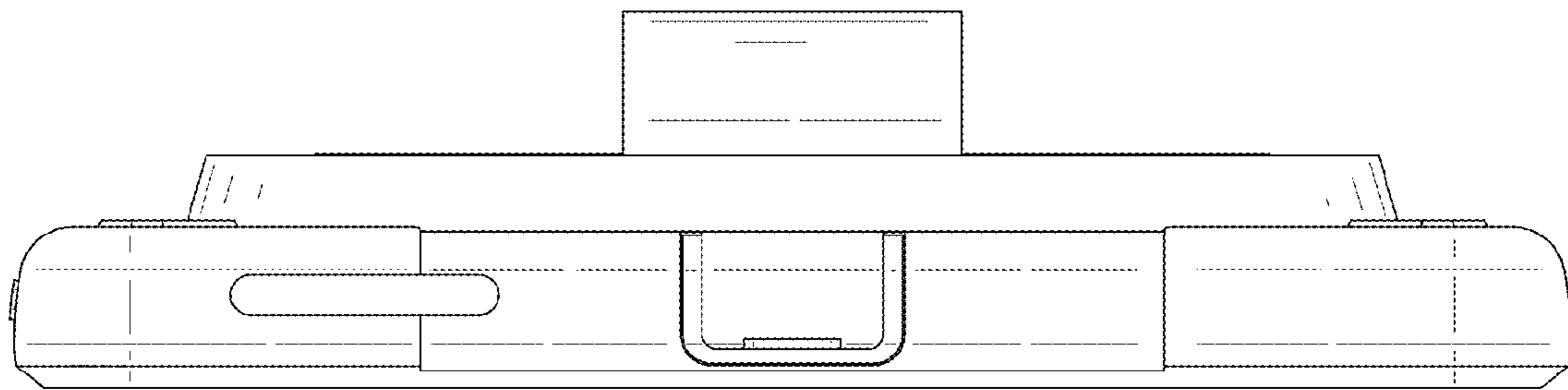


FIG. 6



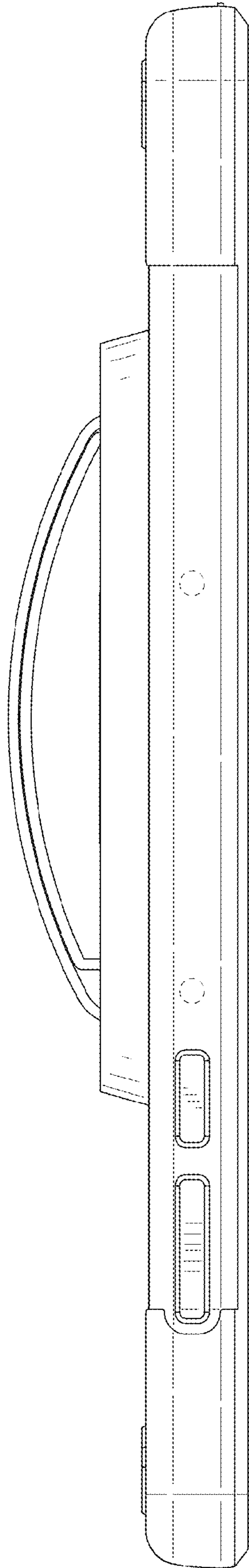


FIG. 7

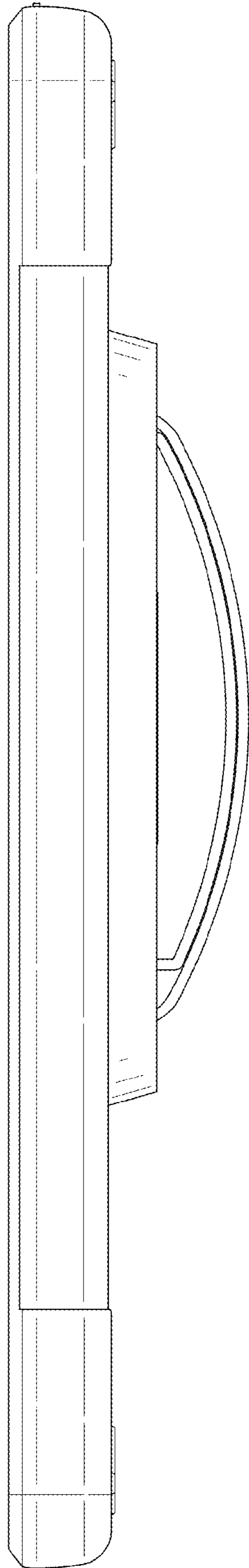


FIG. 8