

US00D926191S

(12) **United States Design Patent** (10) **Patent No.:** **US D926,191 S**  
**Wu** (45) **Date of Patent:** **\*\* Jul. 27, 2021**

(54) **DOCKING STATION**  
(71) Applicant: **Shihong Wu**, Liuzhou (CN)  
(72) Inventor: **Shihong Wu**, Liuzhou (CN)  
(73) Assignee: **DONGGUAN KINGTRON ELECTRONICS TECHNOLOGY CO., LTD**, Dongguan (CN)

(\*\*) Term: **15 Years**

(21) Appl. No.: **29/749,879**

(22) Filed: **Sep. 9, 2020**

(51) **LOC (13) Cl.** ..... **14-02**

(52) **U.S. Cl.**  
USPC ..... **D14/434**

(58) **Field of Classification Search**  
USPC ... D14/434, 432, 433, 435, 435.1, 356, 357, D14/358, 251-253, 217, 299, 496, 169, D14/383, 385; D13/103, 107, 108, 184, D13/110, 123, 133, 135, 179; D21/324, D21/332, 333  
CPC ..... G06F 1/16; G06F 1/1632; G06F 1/266; G06F 13/00; G06F 13/38; G06F 13/382; G06F 13/385; G06F 13/387; G06F 3/065; G06F 9/541; G06F 2213/3814; G06F 2213/40; G06F 2213/4004

See application file for complete search history.

(56) **References Cited**

**U.S. PATENT DOCUMENTS**

D362,240 S \* 9/1995 Heidorn ..... D14/357  
D532,786 S \* 11/2006 Iseki ..... D14/365  
D648,726 S \* 11/2011 Behar ..... D14/435.1  
D778,280 S \* 2/2017 Vanderpol ..... D14/363  
D814,460 S \* 4/2018 Behar ..... D14/349  
D816,659 S \* 5/2018 Latta ..... D14/314  
D828,354 S \* 9/2018 Chuang ..... D14/433  
D828,356 S \* 9/2018 Xie ..... D14/433  
D828,839 S \* 9/2018 Zhang ..... D14/433

D828,840 S \* 9/2018 Zhang ..... D14/433  
D828,841 S \* 9/2018 Zhang ..... D14/433  
D838,241 S \* 1/2019 Xie ..... D13/108  
D847,139 S \* 4/2019 Wang ..... D14/433  
D869,411 S \* 12/2019 Wang ..... D14/357  
D880,479 S \* 4/2020 Liao ..... D14/433  
D881,186 S \* 4/2020 Peng ..... D14/349  
D883,293 S \* 5/2020 Zhang  
D890,760 S \* 7/2020 Menendez ..... D14/434  
D899,363 S \* 10/2020 Wu ..... D13/110  
D902,924 S \* 11/2020 Behar ..... D14/349  
D904,399 S \* 12/2020 Behar ..... D14/349  
D917,489 S \* 4/2021 Jiang ..... D14/434  
D918,917 S \* 5/2021 Wu ..... D14/433

(Continued)

**OTHER PUBLICATIONS**

Docks and Hubs and Converters. (Design—© Questel) orbit.com. [online PDF of Foreign references] 29 pgs. Print Dates range Apr. 21, 2020-May 7, 2021 [Retrieved Jun. 7, 2021] <https://www.orbit.com/export/QPTUJ214/pdf2/0ceac76f-12e7-4232-91b2-1c5878ef5eb4-234030.pdf>.\*

*Primary Examiner* — Marie D. Fast Horse  
(74) *Attorney, Agent, or Firm* — Justin Lampel

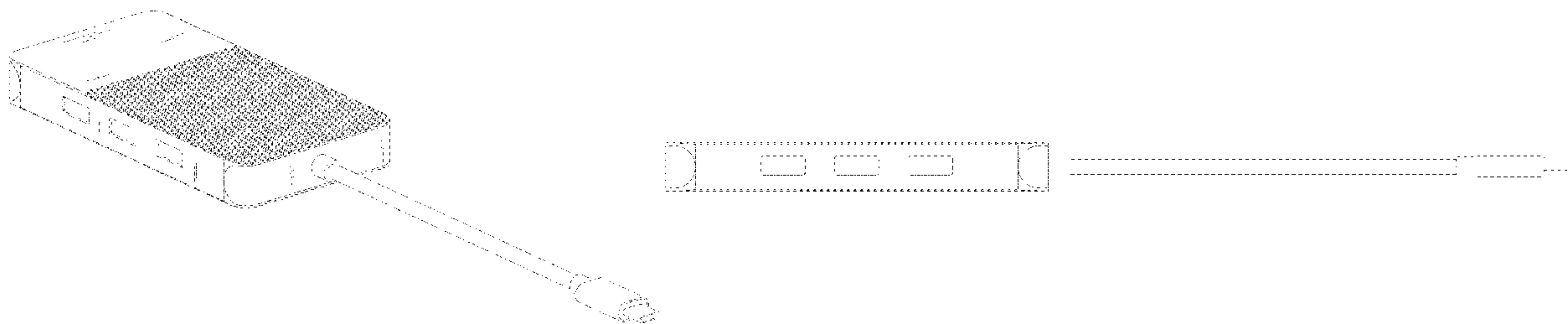
(57) **CLAIM**

The ornamental design for a docking station, as shown and described.

**DESCRIPTION**

FIG. 1 is a perspective view of a docking station showing the claimed design;  
FIG. 2 is a top plan view thereof;  
FIG. 3 is a rear elevational view thereof;  
FIG. 4 is a bottom plan view thereof;  
FIG. 5 is a right side view thereof;  
FIG. 6 is a front elevational view thereof; and,  
FIG. 7 is a left side view thereof.  
The broken lines in the drawings depict portions of the docking station that form no part of the claimed design.

**1 Claim, 7 Drawing Sheets**



(56)

**References Cited**

U.S. PATENT DOCUMENTS

2003/0216069 A1\* 11/2003 Huang ..... G06F 1/266  
439/105  
2018/0329457 A1\* 11/2018 Fairchild ..... G06F 1/187

\* cited by examiner

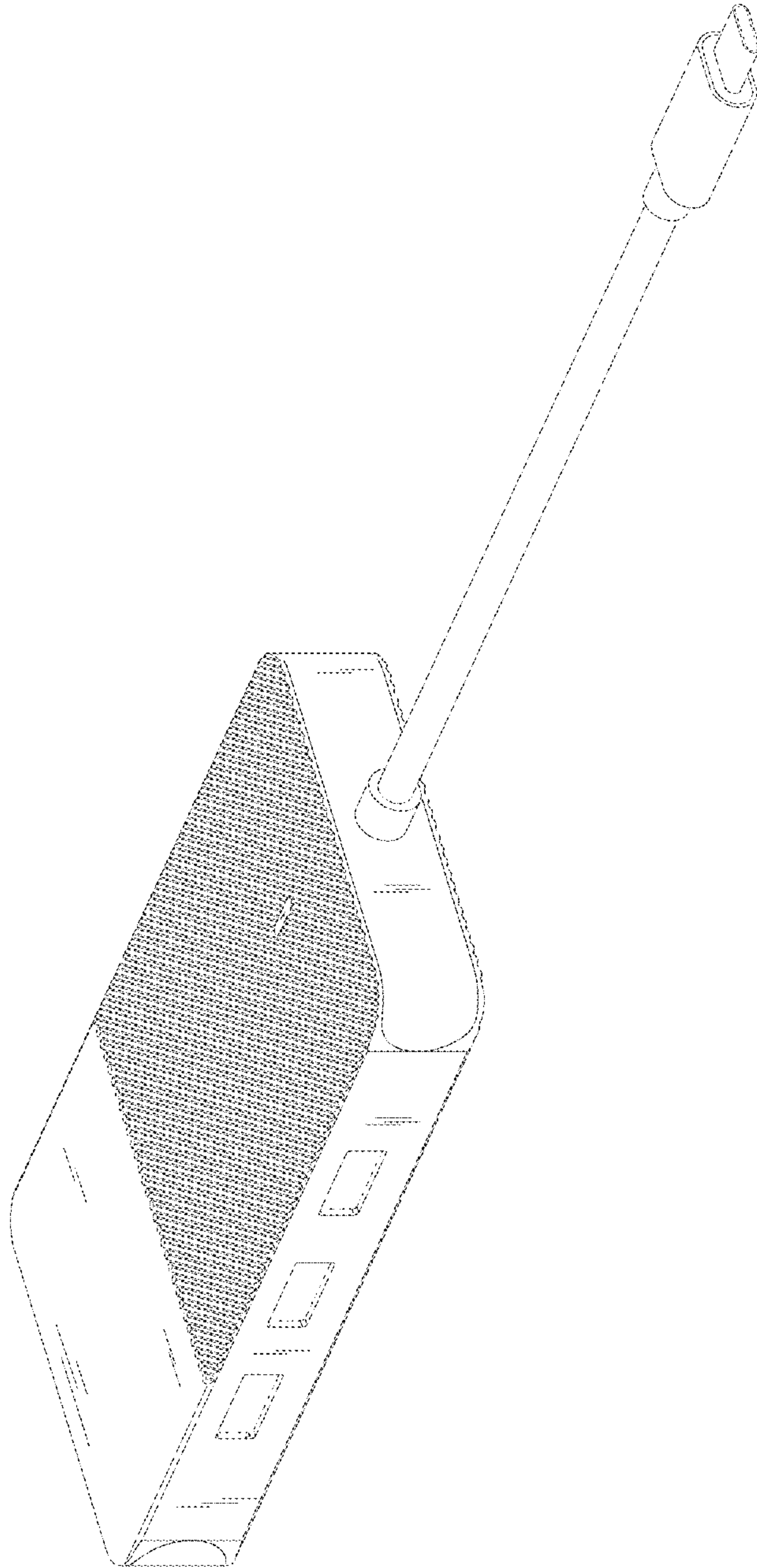


FIG. 1



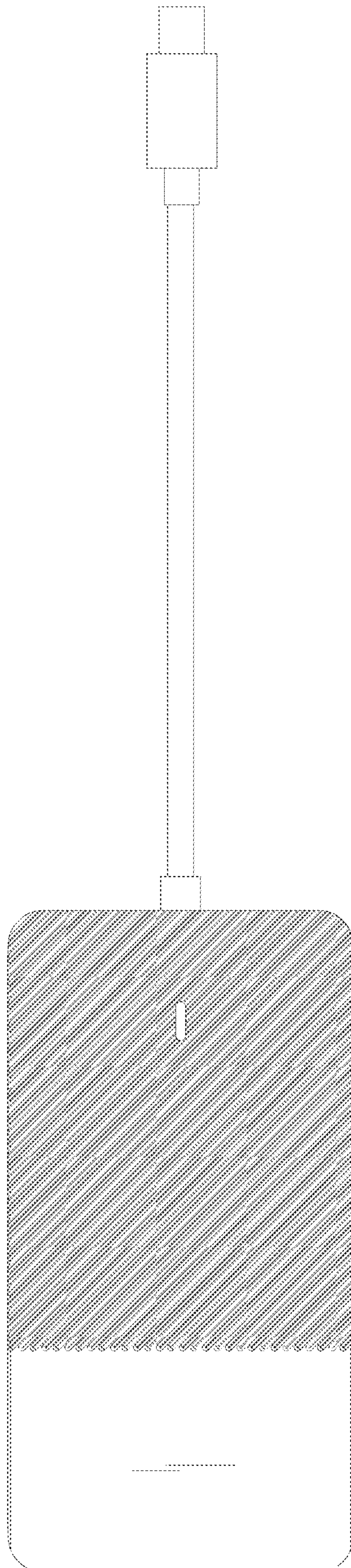


FIG. 2

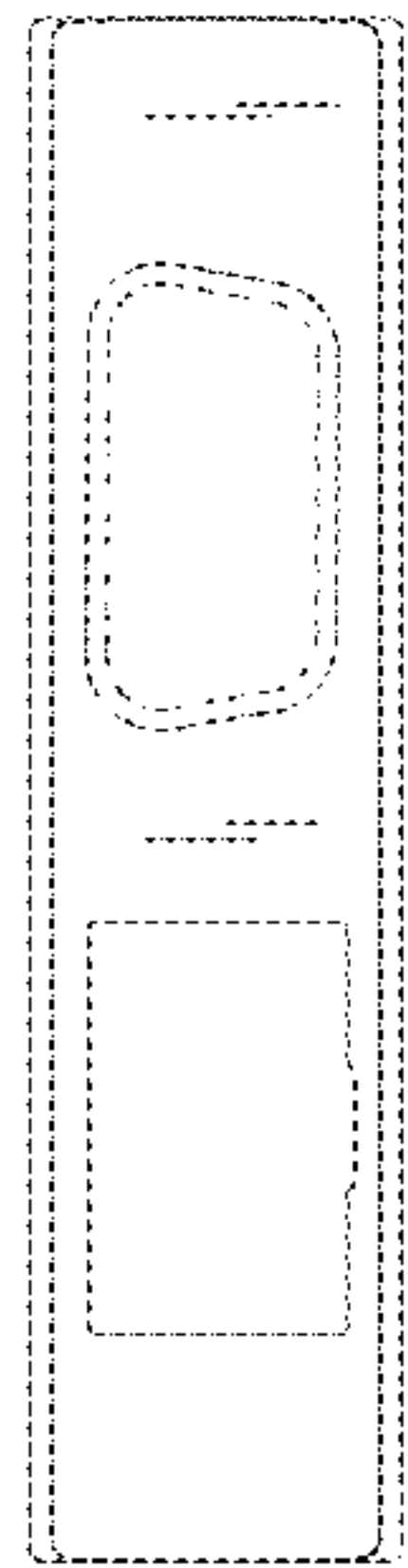


FIG. 3

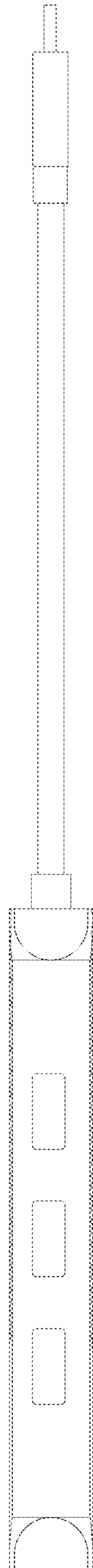


FIG. 4

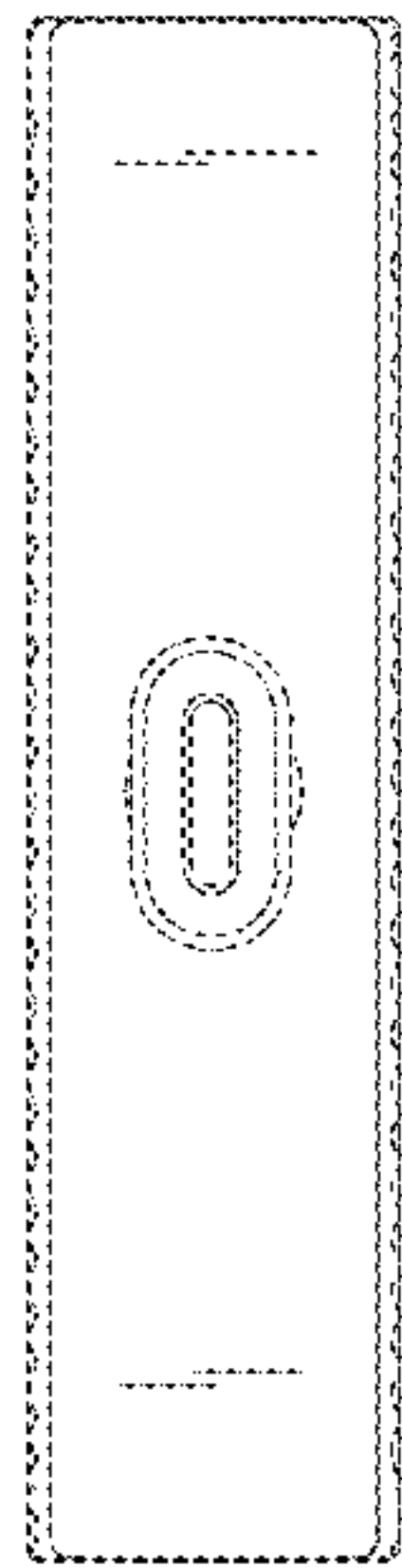


FIG. 5

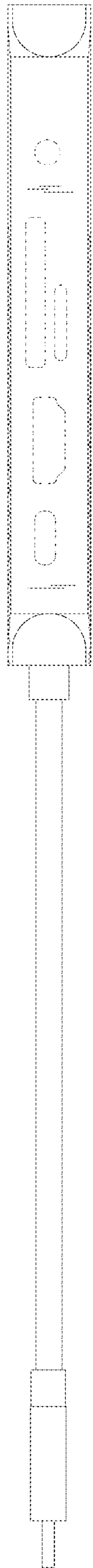


FIG. 6



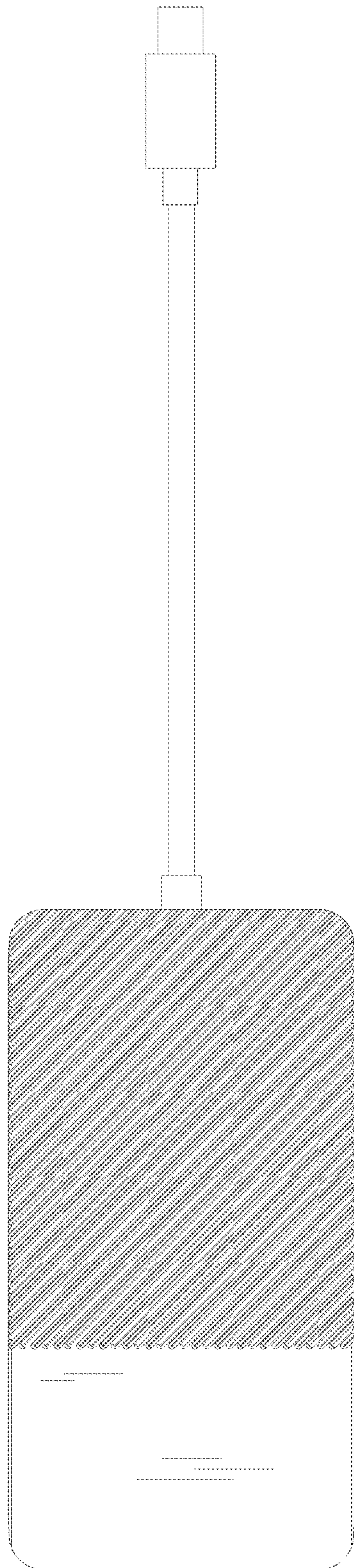


FIG. 7