

US00D926190S

(12) **United States Design Patent**  
**Green et al.**

(10) **Patent No.:** **US D926,190 S**  
(45) **Date of Patent:** **\*\* Jul. 27, 2021**

(54) **ELECTRONIC DEVICE ADAPTER**

(71) Applicant: **Amazon Technologies, Inc.**, Seattle, WA (US)

(72) Inventors: **Christopher Green**, San Francisco, CA (US); **Marc Rene Walliser**, San Francisco, CA (US); **Matthew Michael Seflic**, San Jose, CA (US)

(73) Assignee: **Amazon Technologies, Inc.**, Seattle, WA (US)

(\*\*) Term: **15 Years**

(21) Appl. No.: **29/747,817**

(22) Filed: **Aug. 25, 2020**

**Related U.S. Application Data**

(62) Division of application No. 29/692,475, filed on May 24, 2019, now Pat. No. Des. 900,106, which is a division of application No. 29/609,163, filed on Jun. 28, 2017, now Pat. No. Des. 852,797.

(51) **LOC (13) Cl.** ..... **14-02**

(52) **U.S. Cl.**  
USPC ..... **D14/433**

(58) **Field of Classification Search**

USPC .... D14/356, 432-434, 453, 454, 511, 203.8, D14/209.1, 238.1, 240, 125; 439/638, 439/928, 105, 502; 710/303, 304; 361/679.41, 679.55, 679.56; D13/110, D13/133, 146

CPC ... H04L 12/2832; H04L 12/2838; G06F 3/00; G06F 5/00; G06F 13/14

See application file for complete search history.

(56) **References Cited**

**U.S. PATENT DOCUMENTS**

D680,539 S 4/2013 Kim  
D682,835 S 5/2013 Daniel

D731,489 S 6/2015 Langhammer et al.  
D745,523 S 12/2015 Magi  
D781,294 S 3/2017 Schwalbach et al.  
D784,340 S 4/2017 Laffon de Mazieres et al.  
D798,301 S 9/2017 Kujawski et al.  
D817,199 S \* 5/2018 Farley ..... D10/70  
D818,448 S \* 5/2018 Wang ..... D14/125  
D828,356 S 9/2018 Xie  
D828,839 S 9/2018 Zhang  
D828,840 S 9/2018 Zhang  
D828,841 S 9/2018 Zhang  
D830,869 S 10/2018 Siminoff et al.  
D832,260 S 10/2018 Hutton et al.

(Continued)

**OTHER PUBLICATIONS**

Indian Office Action dated Jan. 2, 2018 for Indian design application No. 300141, a counterpart foreign application of design U.S. Appl. No. 29/609,163.

*Primary Examiner* — Austin Murphy

(74) *Attorney, Agent, or Firm* — Lee & Hayes, P.C.

(57) **CLAIM**

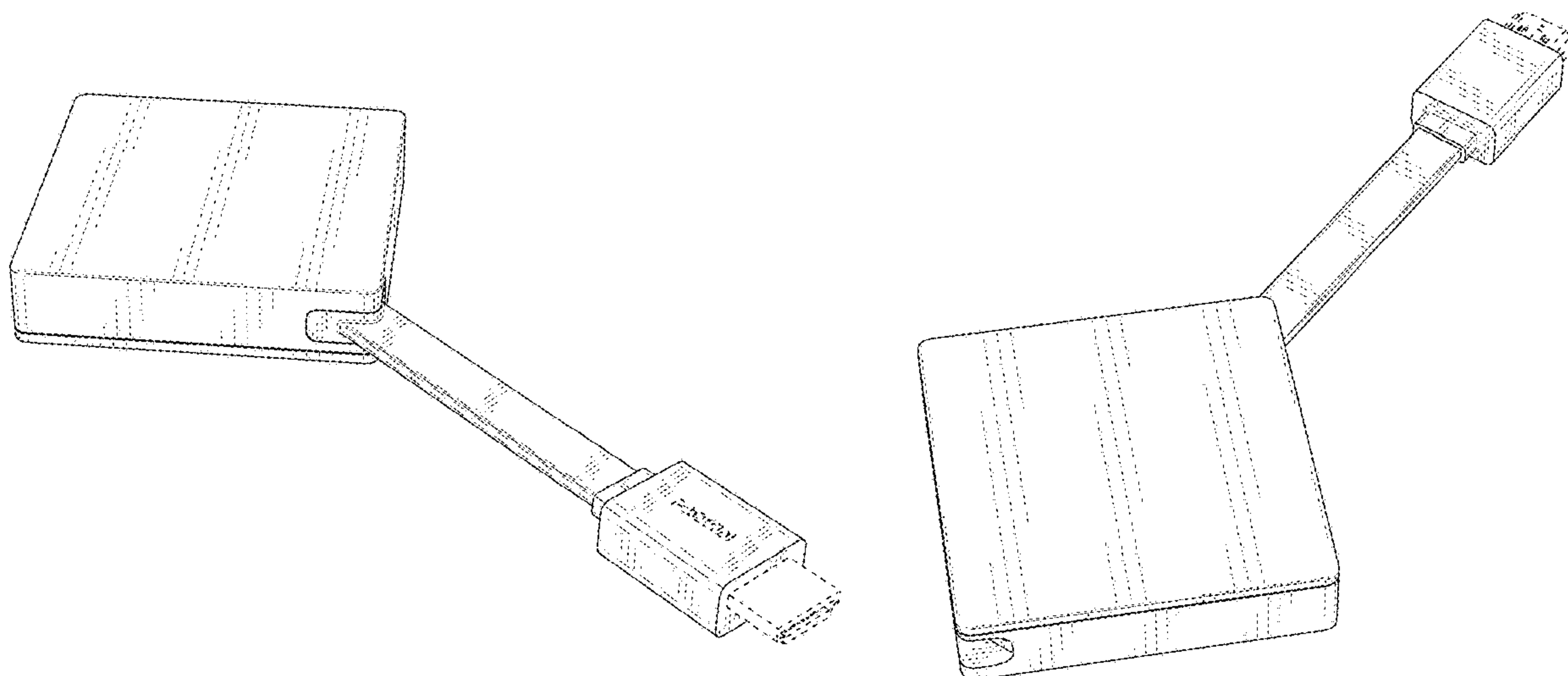
The ornamental design for an electronic device adapter, as shown and described.

**DESCRIPTION**

FIG. 1 is a bottom, front perspective view of an electronic device adapter;  
FIG. 2 is a top, back perspective view thereof;  
FIG. 3 is a bottom, back perspective view thereof;  
FIG. 4 is a front view thereof;  
FIG. 5 is a back view thereof;  
FIG. 6 is a left-side view thereof;  
FIG. 7 is a right-side view thereof;  
FIG. 8 is a top view thereof; and,  
FIG. 9 is a bottom view thereof.

The dashed broken lines depict portions of the electronic device adapter that form no part of the claimed design.

**1 Claim, 9 Drawing Sheets**



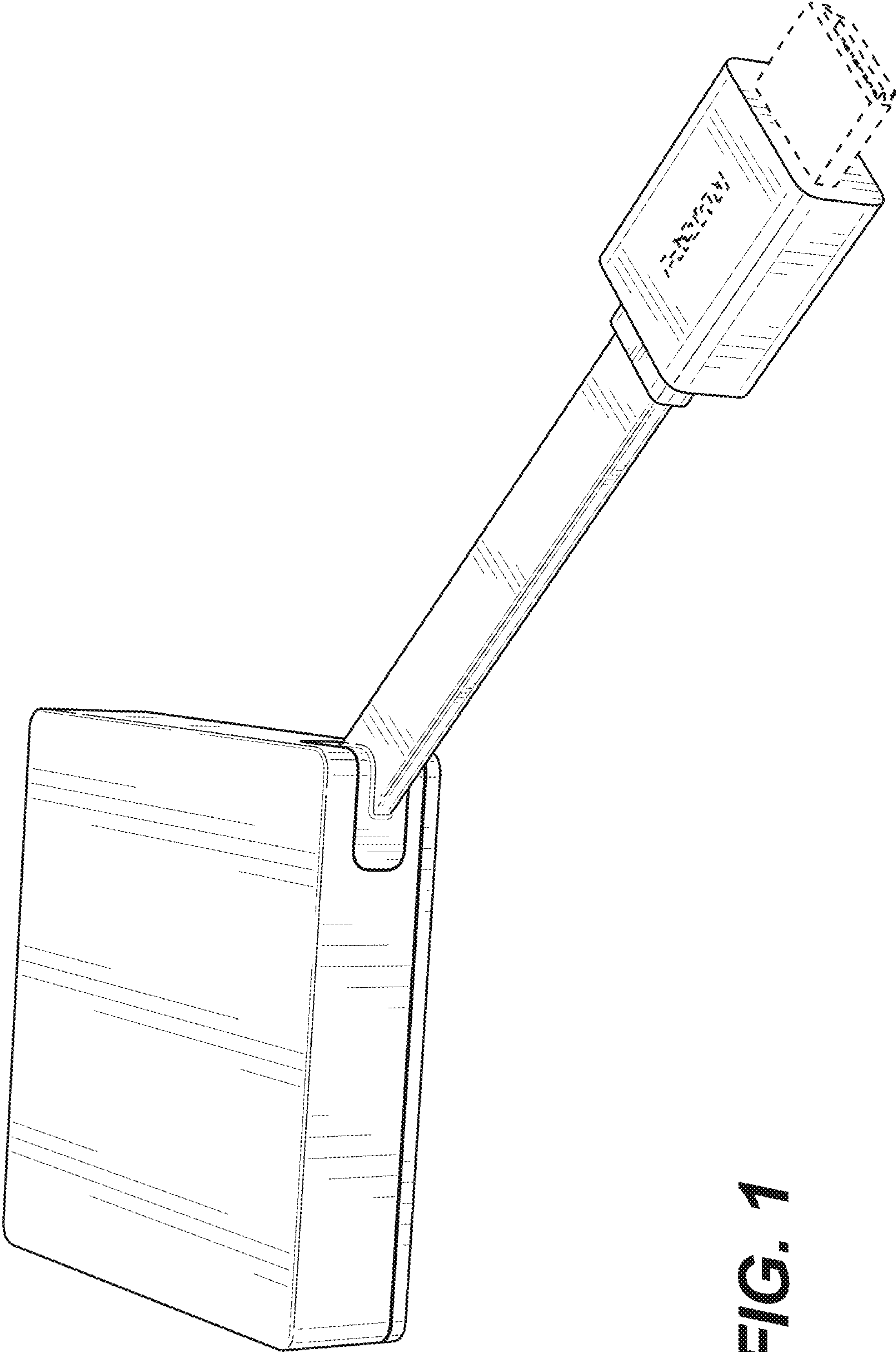
(56)

References Cited

U.S. PATENT DOCUMENTS

D832,849	S	11/2018	Kim et al.	
D836,114	S	12/2018	Nangeroni et al.	
D844,006	S	3/2019	Molnar	
D845,953	S *	4/2019	Boehmer .....	D14/433
D849,006	S *	5/2019	Pang .....	D14/433
D852,797	S *	7/2019	Green .....	D14/433
D852,798	S	7/2019	Biddle	
D854,018	S	7/2019	Liao	
D864,145	S	10/2019	Zhang et al.	
D864,206	S	10/2019	Wang	
D865,667	S *	11/2019	Roberts .....	D13/108
D869,426	S *	12/2019	Sandlund .....	D14/203.1
D872,078	S	1/2020	Wu	
D876,440	S	2/2020	Nangeroni et al.	
D876,441	S	2/2020	Boehmer et al.	
D879,034	S	3/2020	Wu	
D883,929	S *	5/2020	Tanaka .....	D13/123
D894,191	S *	8/2020	Turksu .....	D14/434
D900,106	S *	10/2020	Green .....	D14/433
D906,959	S *	1/2021	Turksu .....	D13/108
D910,591	S *	2/2021	Vossel .....	D14/203.1
D911,946	S *	3/2021	Turksu .....	D13/108
D911,955	S *	3/2021	Turksu .....	D13/108
D912,046	S *	3/2021	Huang .....	D14/358
2014/0335919	A1 *	11/2014	Stewart .....	H02J 7/0042 455/573
2015/0362668	A1 *	12/2015	McDonald .....	H05B 47/19 362/555

\* cited by examiner



**FIG. 1**

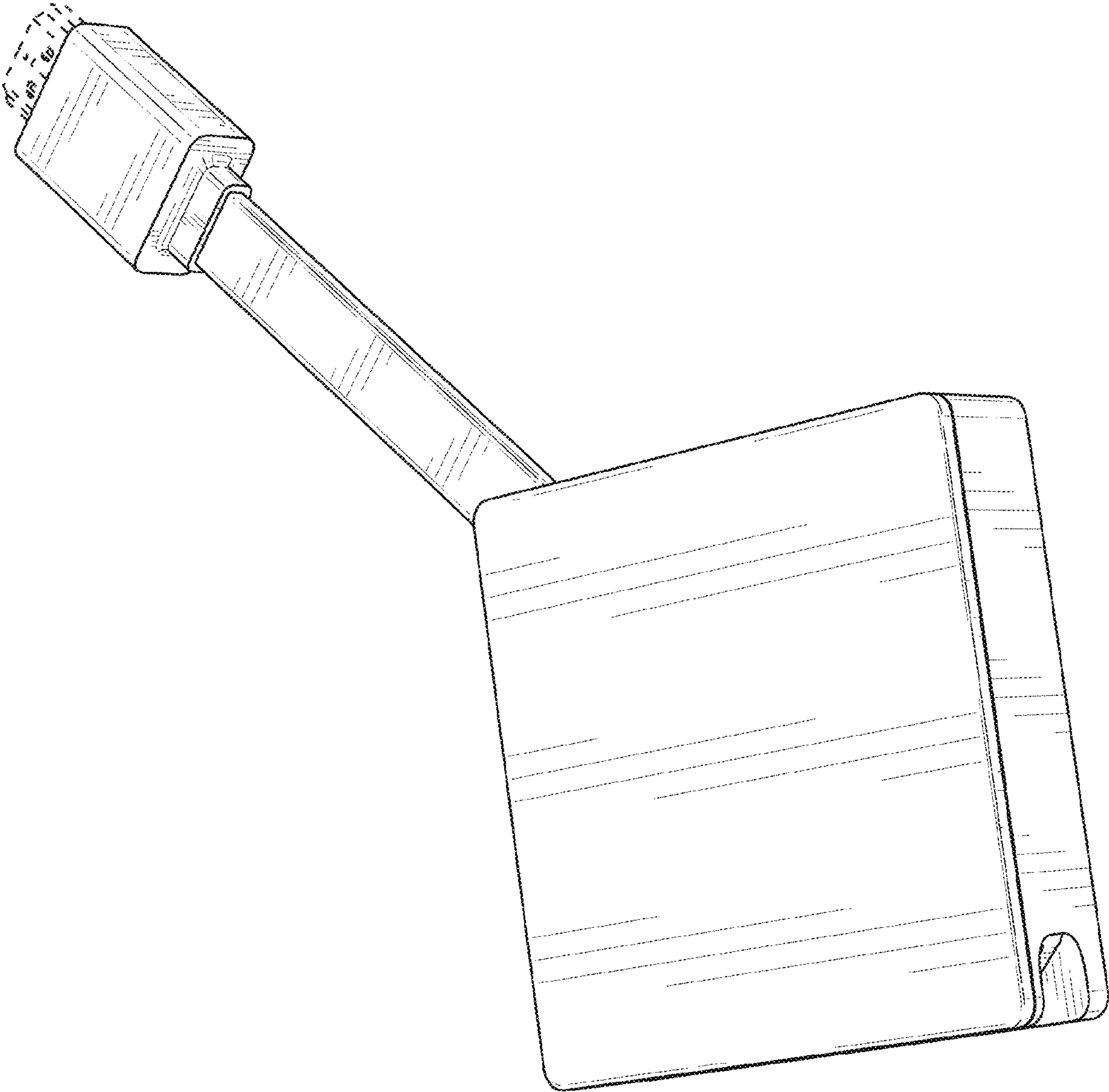
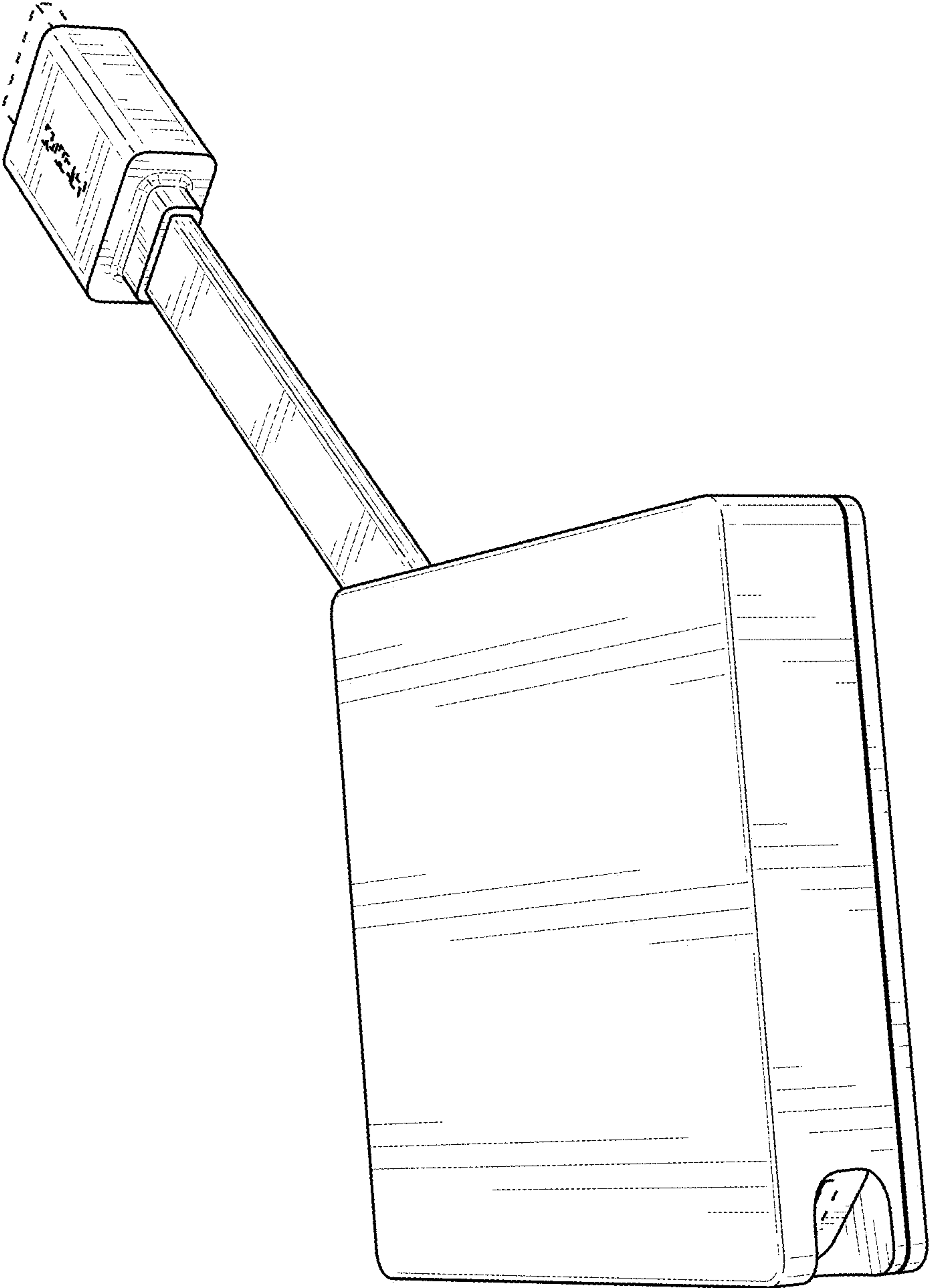
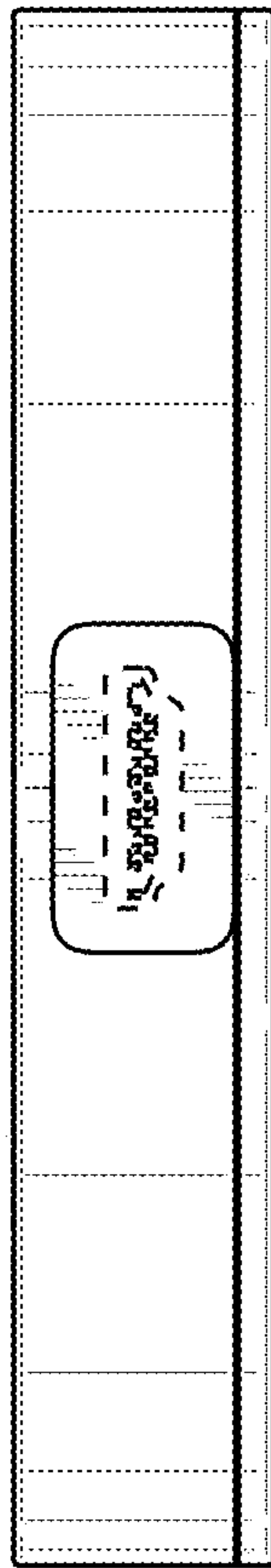


FIG. 2

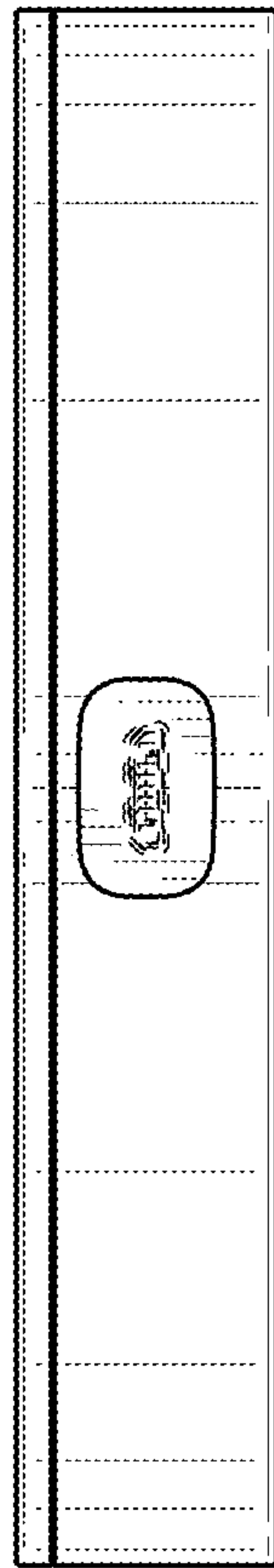




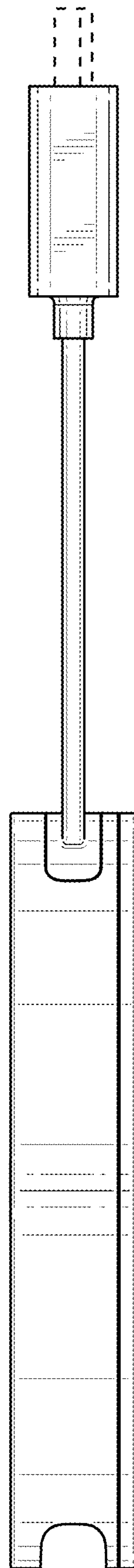
**FIG. 3**



**FIG. 4**

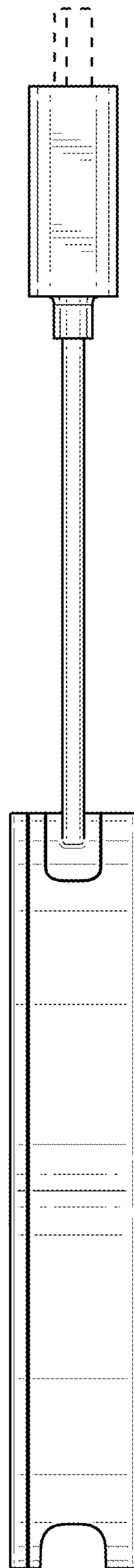


**FIG. 5**

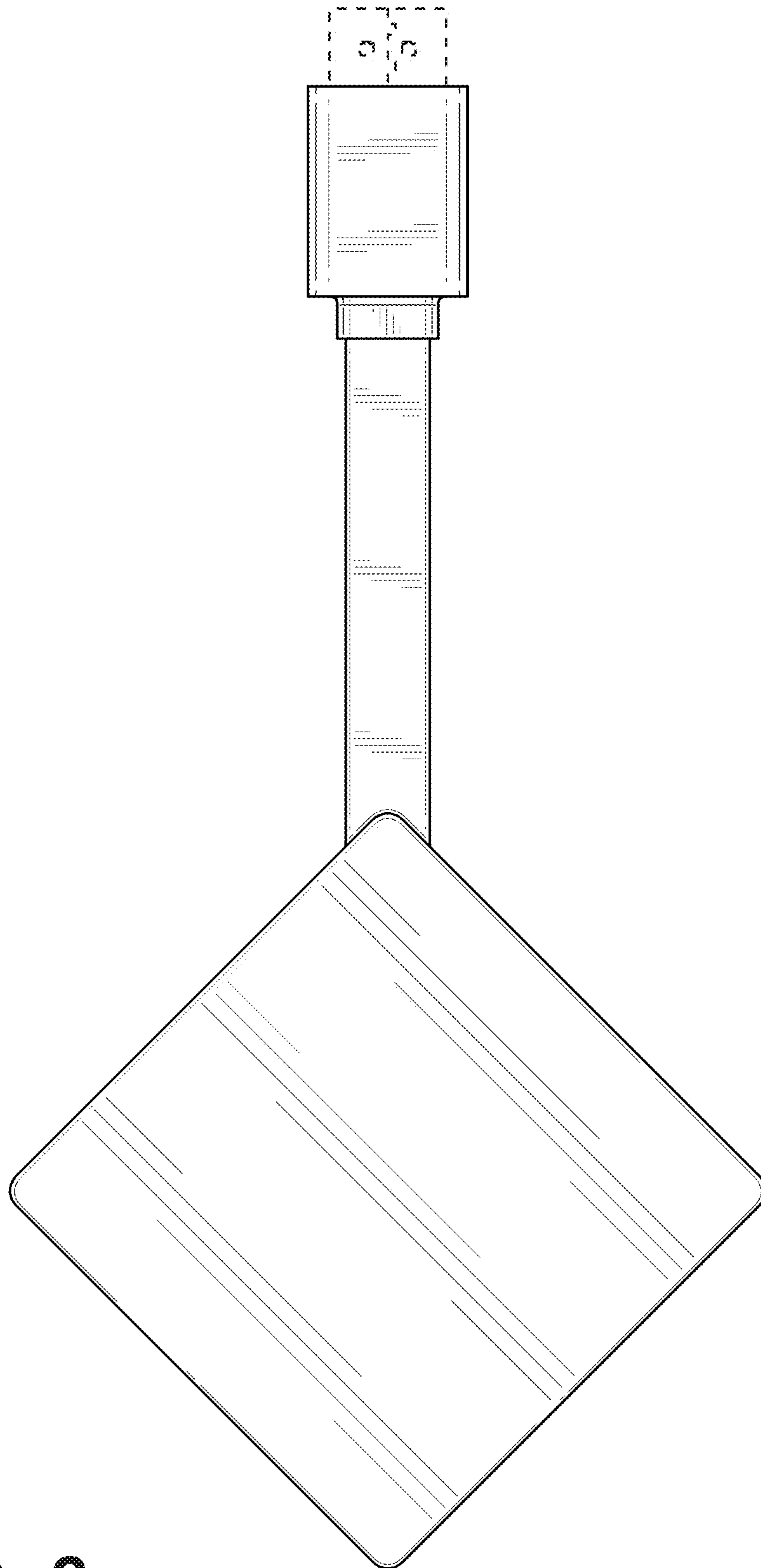


**FIG. 6**

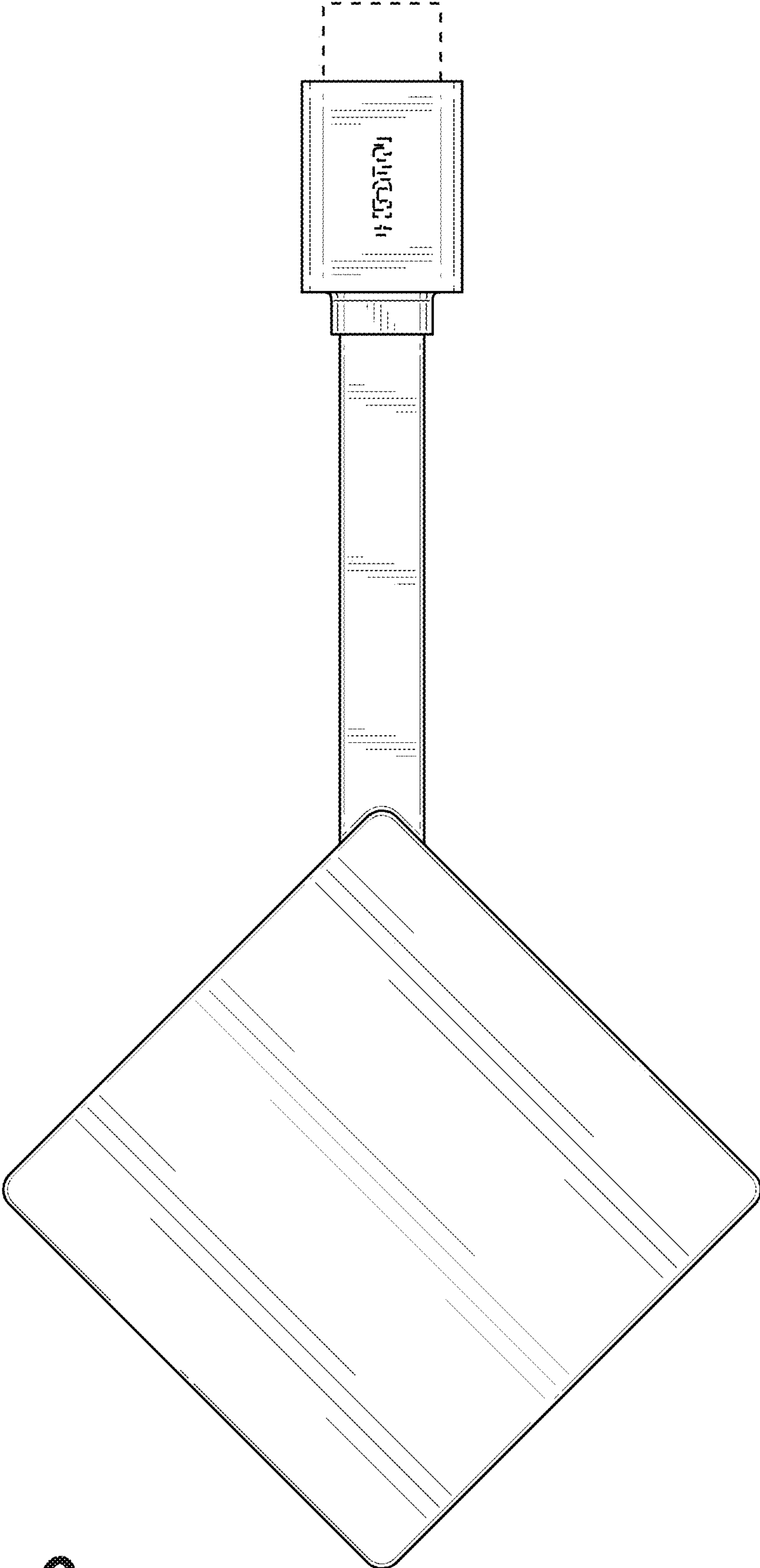




**FIG. 7**



**FIG. 8**



**FIG. 9**