



US00D926184S

(12) **United States Design Patent**
Zhang et al.

(10) **Patent No.:** **US D926,184 S**

(45) **Date of Patent:** **** Jul. 27, 2021**

(54) **CONVERTER**

(71) Applicant: **UGREEN GROUP LIMITED**,
Shenzhen (CN)

(72) Inventors: **Qingsen Zhang**, Shenzhen (CN);
Junling Chen, Shenzhen (CN); **Tuo Zhu**, Shenzhen (CN)

(**) Term: **15 Years**

(21) Appl. No.: **29/701,824**

(22) Filed: **Aug. 15, 2019**

(51) **LOC (13) Cl.** **14-02**

(52) **U.S. Cl.**
USPC **D14/357**; D14/433; D14/434

(58) **Field of Classification Search**
USPC ... D14/434, 432, 433, 435, 435.1, 356, 357,
D14/358, 251–253, 217, 299, 496, 169;
D13/103, 107, 108, 184, 110, 123, 133,
D13/135, 179; D21/324, 332, 333
CPC G06F 1/16; G06F 1/1632; G06F 1/266;
G06F 13/00; G06F 13/38; G06F 13/382;
G06F 13/385; G06F 13/387; G06F 3/065;
G06F 9/541; G06F 2213/3814; G06F
2213/40; G06F 2213/4004
See application file for complete search history.

(56) **References Cited**

U.S. PATENT DOCUMENTS

D537,036 S *	2/2007	Chen	D14/433
D559,848 S *	1/2008	Siu	D14/433
D662,050 S *	6/2012	Tien	D13/108
D670,291 S *	11/2012	Dalton	B25C 7/00
				D14/433
D672,309 S *	12/2012	Tien	D13/108
D674,748 S *	1/2013	Ferber	D13/108
8,512,079 B2 *	8/2013	Vroom	H01R 13/518
				439/639
D740,808 S *	10/2015	Kono	D14/365
D743,398 S *	11/2015	Smith	D14/433

D828,356 S *	9/2018	Xie	D14/433
D828,839 S *	9/2018	Zhang	D14/433
D828,840 S *	9/2018	Zhang	D14/433
D828,841 S *	9/2018	Zhang	D14/433
D838,241 S *	1/2019	Xie	D13/108
D841,010 S *	2/2019	Kong	D14/435.1
D847,139 S *	4/2019	Wang	D14/433

(Continued)

OTHER PUBLICATIONS

HP USB-C Travel Dock. (Online) 9 pgs. Available Jun. 3, 2016 .
[Retrieved May 10, 2021] https://www.amazon.com/HP-USB-C-Travel-Dock-T0K29AA/dp/B01AA0NACO/?tag=sleepareas-20.*

(Continued)

Primary Examiner — Marie D. Fast Horse

(57) **CLAIM**

The ornamental design for a converter, as shown and described.

DESCRIPTION

FIG. 1 is a front perspective view of a converter, showing our new design;

FIG. 2 is a rear perspective view thereof, showing a USB cable accommodated in a groove on rear side of the converter;

FIG. 3 is a front elevational view thereof;

FIG. 4 is a back elevational view thereof;

FIG. 5 is a left side elevational view thereof;

FIG. 6 is a right side elevational view thereof;

FIG. 7 is a top plan view thereof;

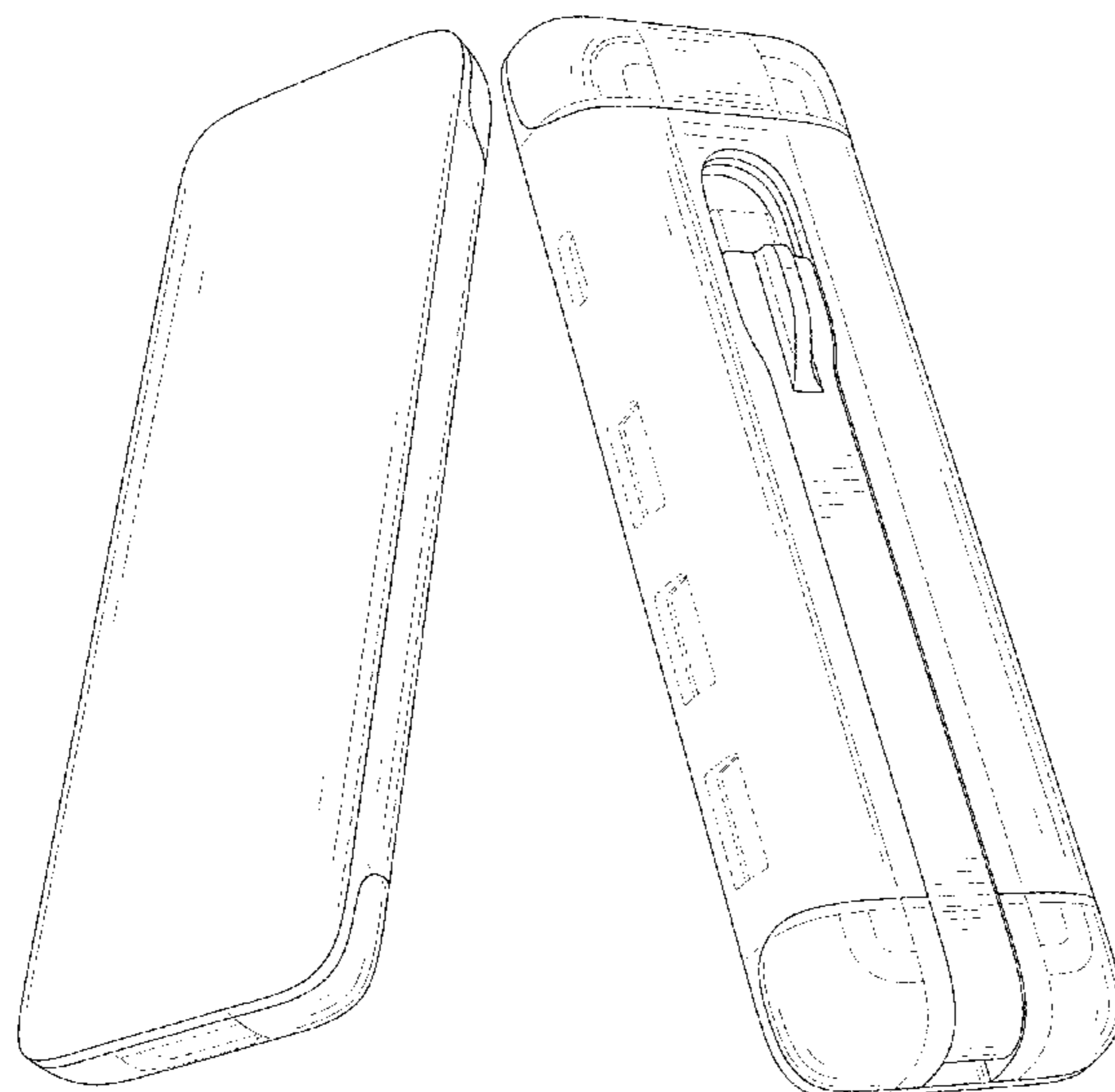
FIG. 8 is a bottom plan view thereof;

FIG. 9 is a front perspective view thereof, showing the USB cable pulled out of the groove; and,

FIG. 10 is a rear perspective view thereof, showing the USB cable pulled out of the groove.

The broken lines in the figures illustrate portions of the converter that form no part of the claimed design.

1 Claim, 10 Drawing Sheets



(56)

References Cited

U.S. PATENT DOCUMENTS

D853,322 S * 7/2019 Xu D13/108
D853,396 S * 7/2019 Kong D14/434
D853,397 S * 7/2019 Wang D14/435.1
D854,020 S * 7/2019 Liao D14/434
D863,310 S * 10/2019 Liao D14/433
D880,481 S * 4/2020 Liao D14/433
D881,889 S * 4/2020 Wang D14/433
D885,339 S * 5/2020 Duan D13/110
D888,717 S * 6/2020 Lu D14/433
D889,470 S * 7/2020 Zhang D14/433
D894,190 S * 8/2020 Zhang D14/433
D896,814 S * 9/2020 Zhang D14/433
D902,211 S * 11/2020 Jiang D14/433
D903,683 S * 12/2020 Zhang D14/433
D904,411 S * 12/2020 Zhang D14/433
D904,412 S * 12/2020 Qiu D14/434
D905,063 S * 12/2020 Liu D14/434
D911,347 S * 2/2021 Zhang D14/433
D916,093 S * 4/2021 Liao D14/433
D916,094 S * 4/2021 Liao D14/433
D916,705 S * 4/2021 Liao D14/433
D918,917 S * 5/2021 Wu D14/433
D918,918 S * 5/2021 Wu D14/433

OTHER PUBLICATIONS

Power Supplies-Converters-Docks-Hubs-Switches. (Design—© Questel) orbit.com. [online PDF of Foreign references] 63 pgs. Print Dates range Nov. 17, 2017-Nov. 27, 2020 [Retrieved May 19, 2021] <https://www.orbit.com/export/QPTUJ214/pdf2/9cd46593-f84c-40b3-b701-34392008af50-233016.pdf>.*

* cited by examiner

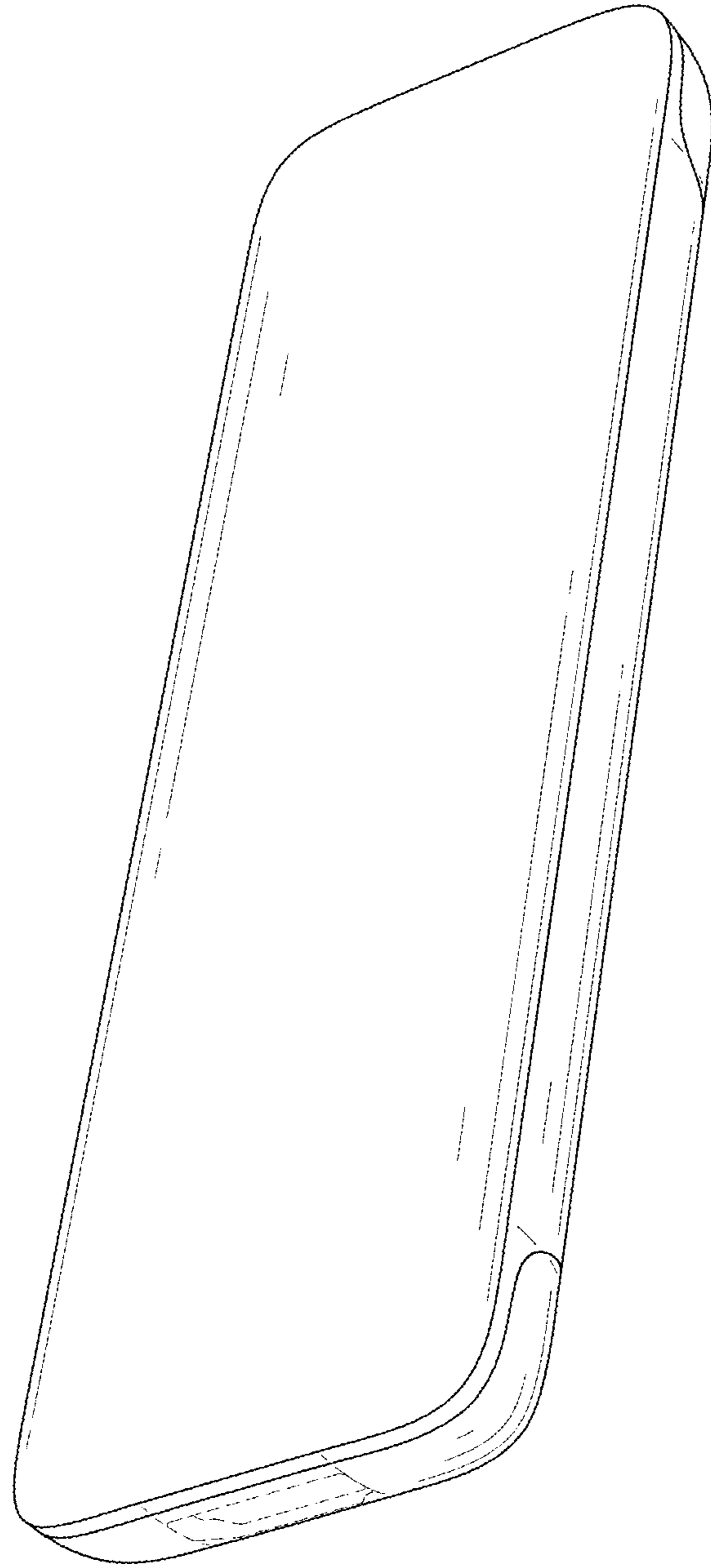


FIG. 1

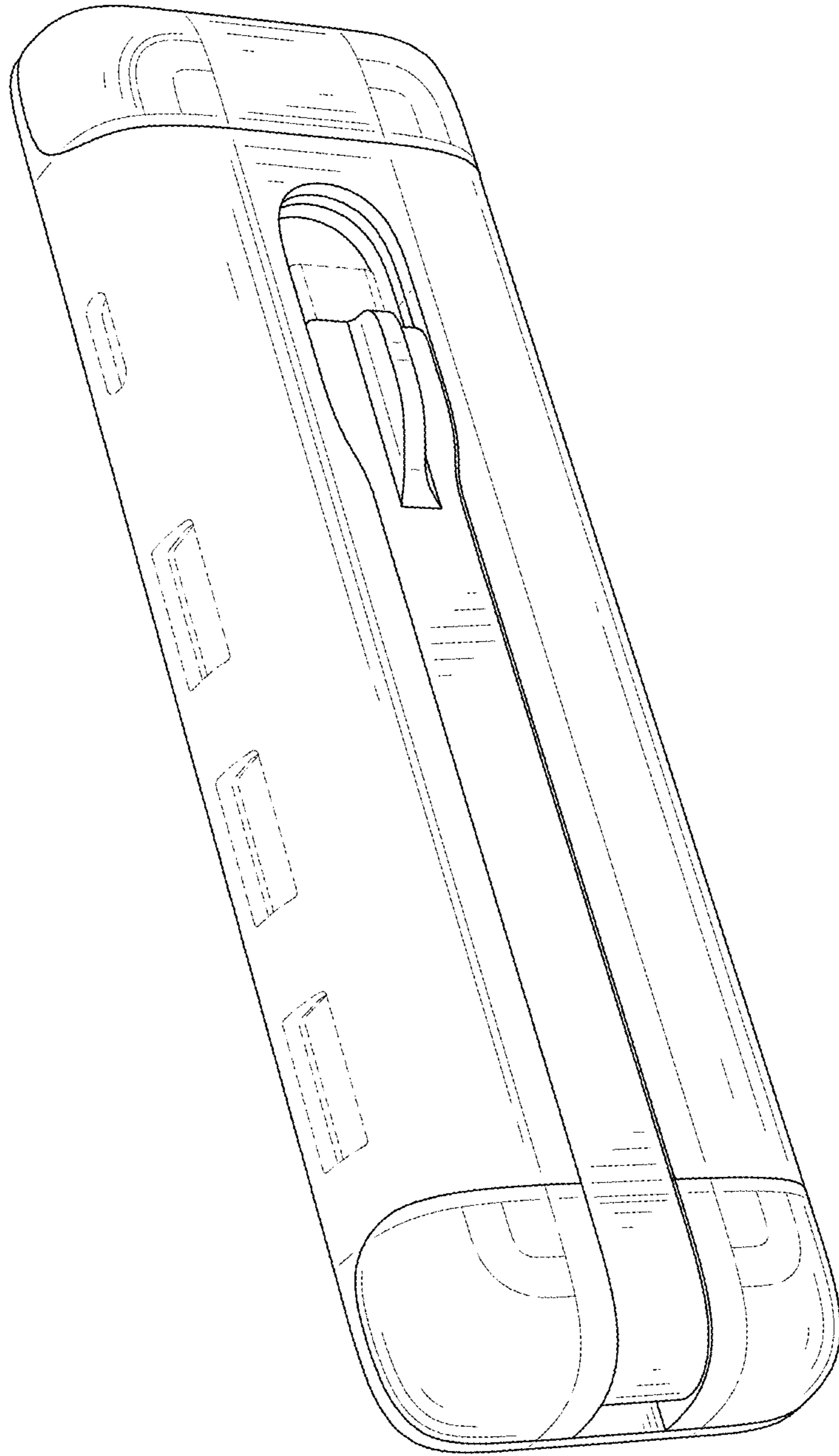


FIG. 2

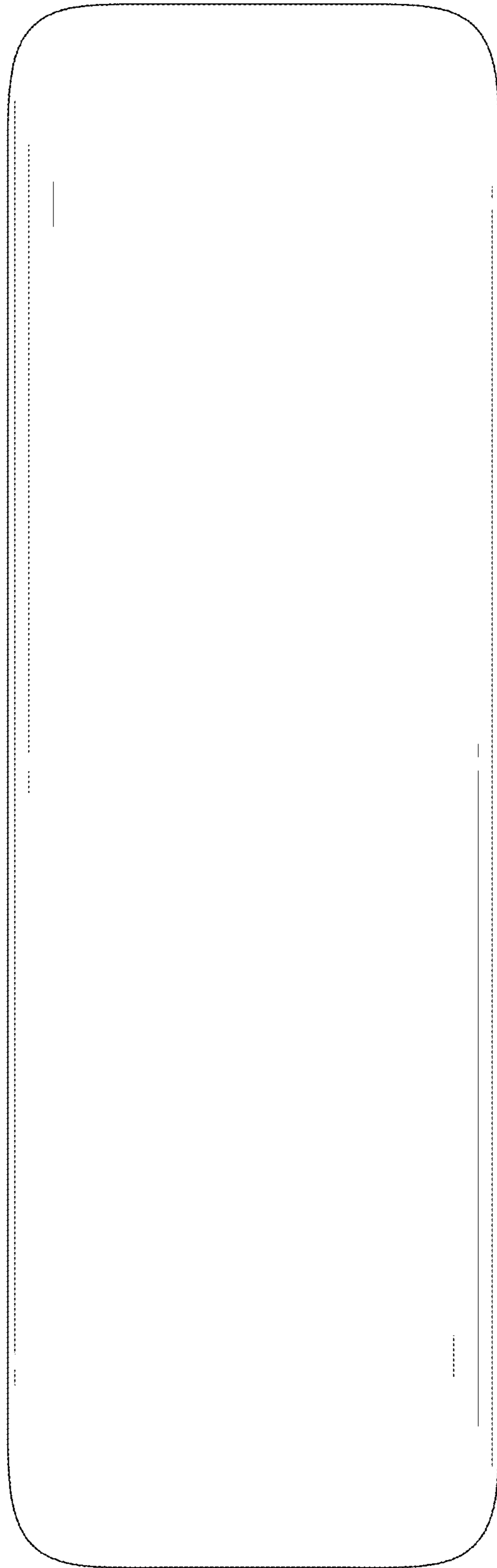


FIG. 3

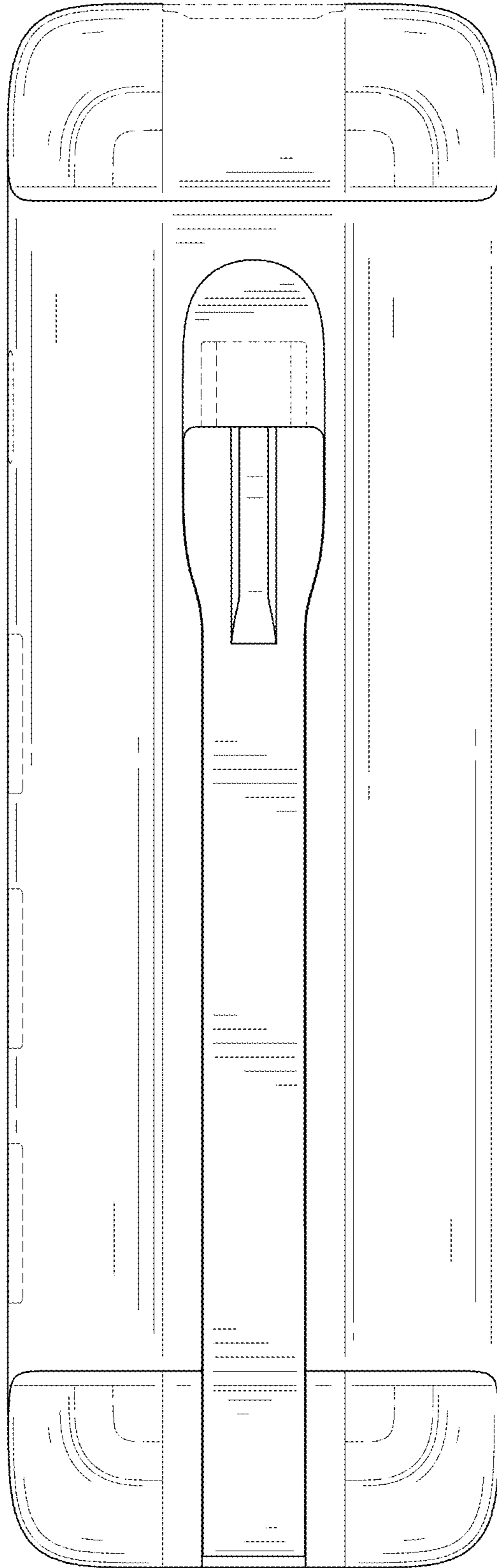


FIG. 4

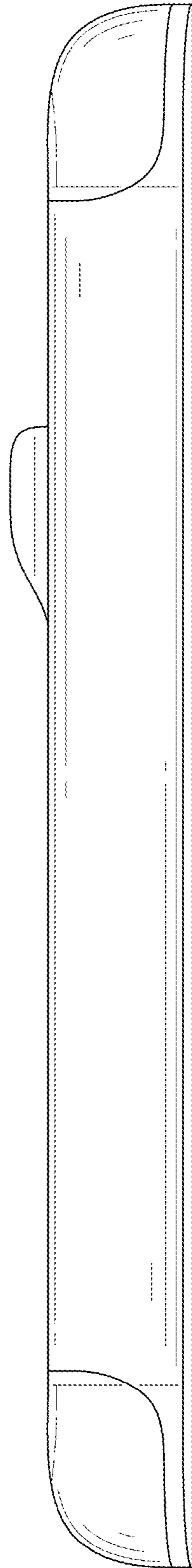


FIG. 5

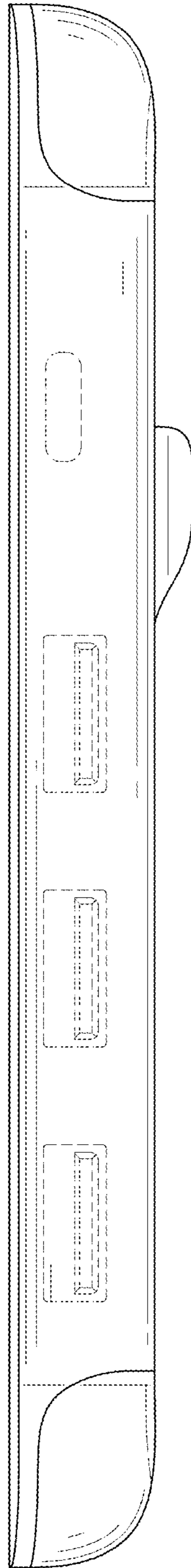


FIG. 6

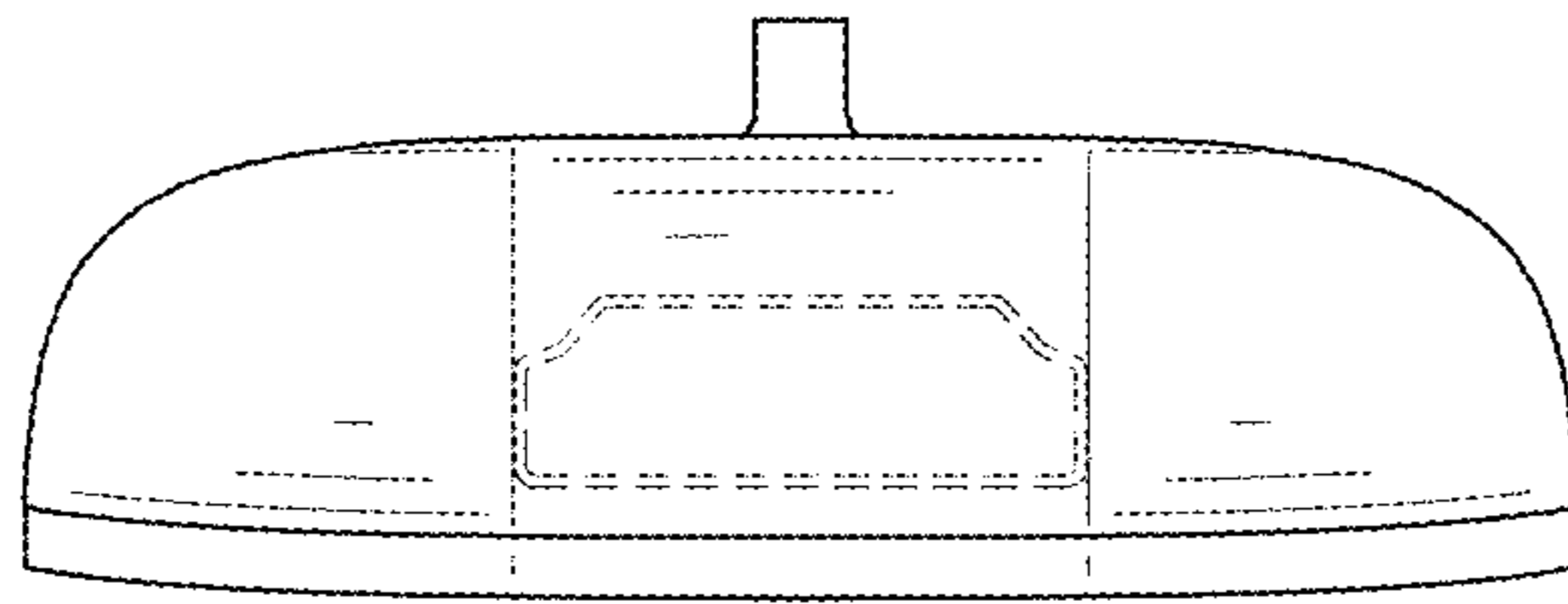


FIG. 7

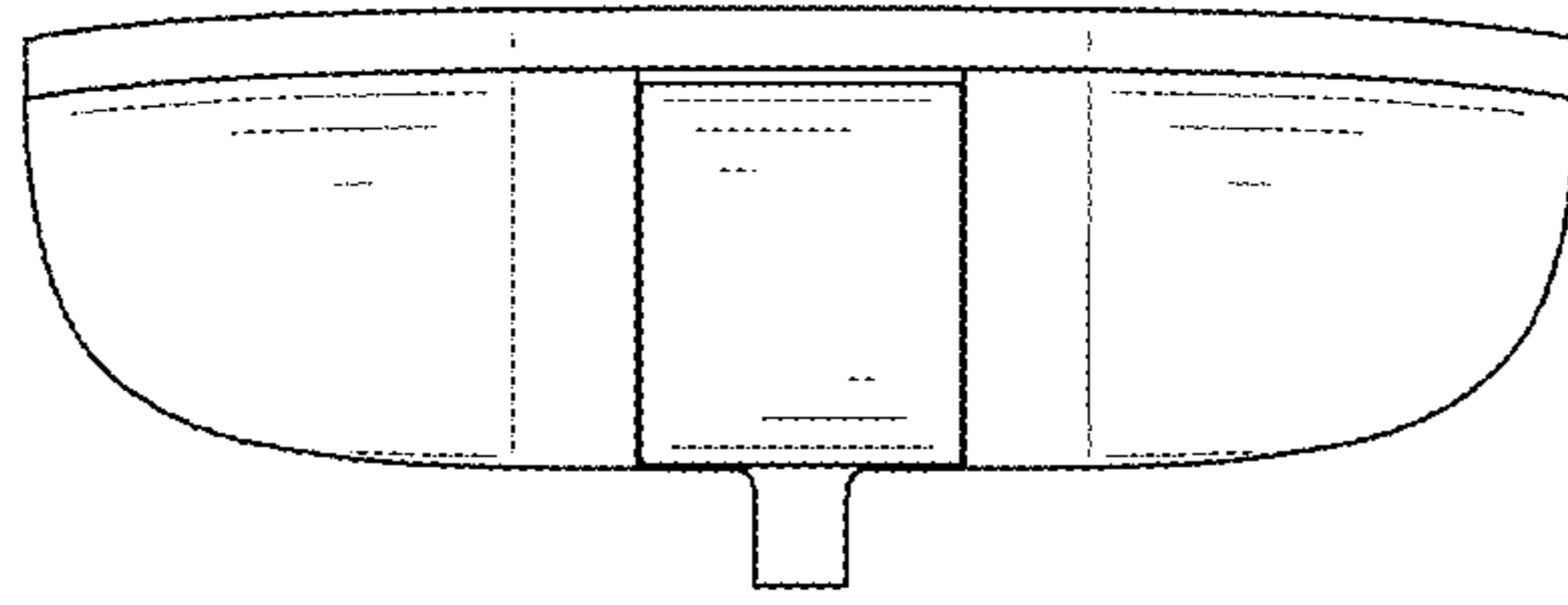


FIG. 8

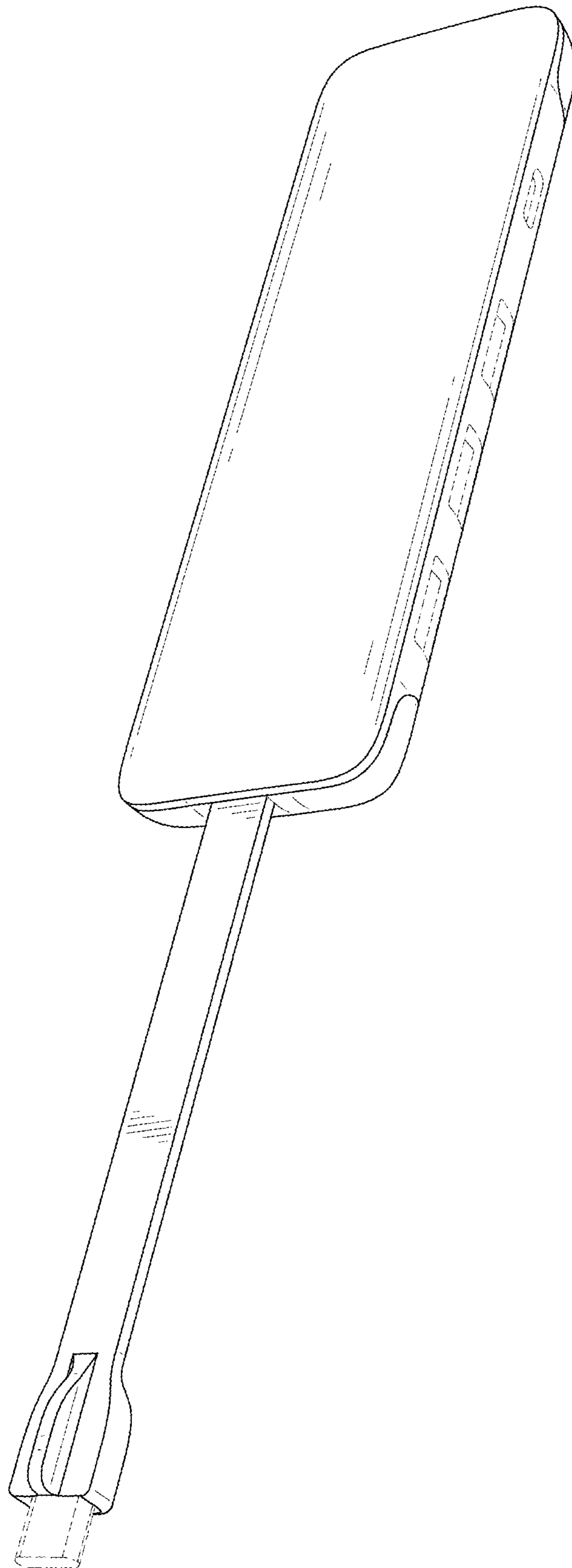


FIG. 9

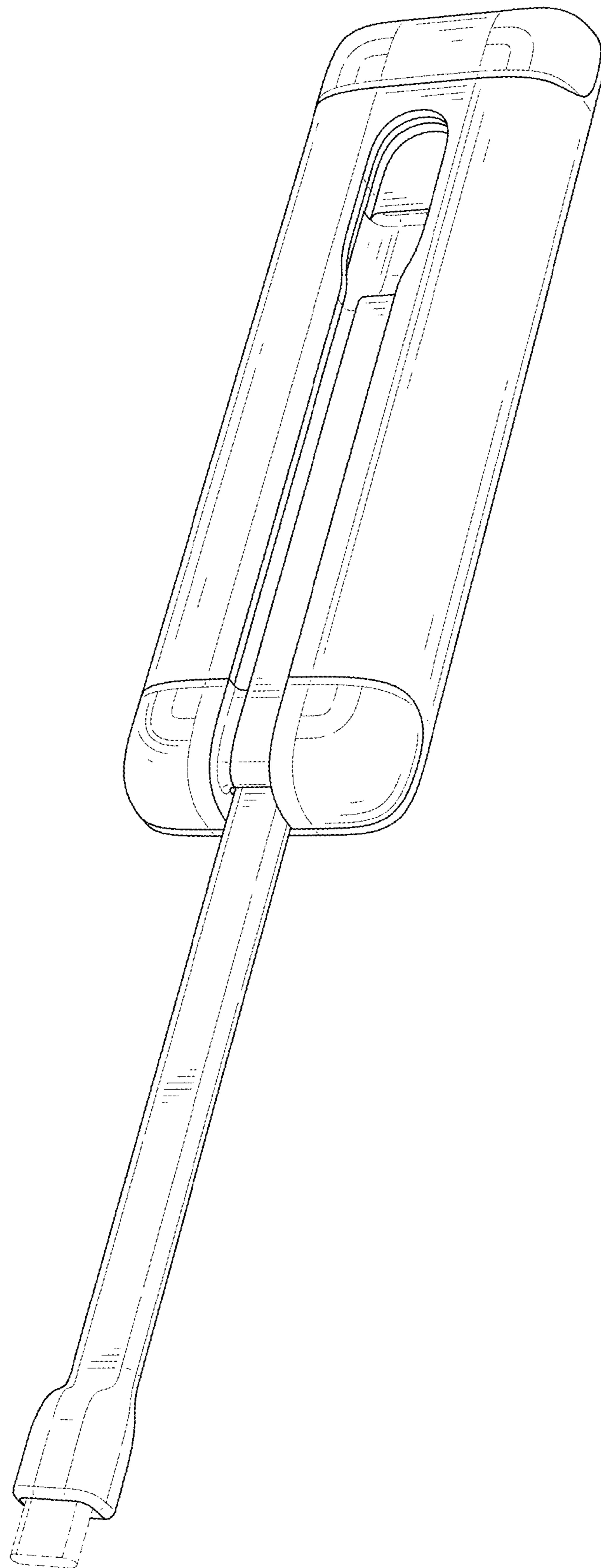


FIG. 10