



US00D926183S

(12) **United States Design Patent** (10) **Patent No.:** **US D926,183 S**
Lim (45) **Date of Patent:** **** Jul. 27, 2021**

(54) **TABLET COMPUTER**

FOREIGN PATENT DOCUMENTS

(71) Applicant: **Samsung Electronics Co., Ltd.**,
Suwon-si (KR)

CN 201530569452 * 6/2016
CN 201630426639 * 3/2017

(Continued)

(72) Inventor: **Seokjin Lim**, Suwon-si (KR)

OTHER PUBLICATIONS

(73) Assignee: **Samsung Electronics Co., Ltd.**,
Suwon-si (KR)

Apple Orders Foldable Displays from Samsung, Sep. 10, 2020 [online], [retrieved Oct. 8, 2020], Retrieved from Internet, URL: <<https://www.iphonehacks.com/2020/09/apple-orders-foldable-displays-samsung-foldable-iphone-in-works.html>> (Year: 2020).*

(Continued)

(**) Term: **15 Years**

(21) Appl. No.: **29/691,416**

(22) Filed: **May 16, 2019**

Primary Examiner — Barbara Fox

Assistant Examiner — Aram Kwon

(30) **Foreign Application Priority Data**

(74) *Attorney, Agent, or Firm* — NSIP Law

Nov. 23, 2018 (KR) 30-2018-0054619

(57) **CLAIM**

(51) **LOC (13) Cl.** **14-02**

I claim the ornamental design for a tablet computer, as shown and described.

(52) **U.S. Cl.**

DESCRIPTION

USPC **D14/345**; D14/341

(58) **Field of Classification Search**

USPC D14/125, 126, 127–137, 138 AA, D14/138 AB, 138 AC, 138 AD, 138 C, D14/138 G, 138 R, 147, 203.3–203.8, D14/218, 239, 240, 247, 248, 315–318, D14/341–347, 371, 374, 388–389, 420, D14/426, 496

CPC G06F 1/1613; G06F 1/1626; G06F 3/0488; G06F 3/04886; H04M 1/725; H04M 1/0202; H04M 1/0266

See application file for complete search history.

FIG. 1 is a front perspective view of a tablet computer showing my new design;
FIG. 2 is a front view thereof;
FIG. 3 is a rear view thereof;
FIG. 4 is a left-side view thereof;
FIG. 5 is a right-side view thereof;
FIG. 6 is a top view thereof;
FIG. 7 is a bottom view thereof;
FIG. 8 is an enlarged view of the encircled portion in FIG. 1; and,
FIG. 9 is an enlarged view of the encircled portion in FIG. 2.

(56) **References Cited**

U.S. PATENT DOCUMENTS

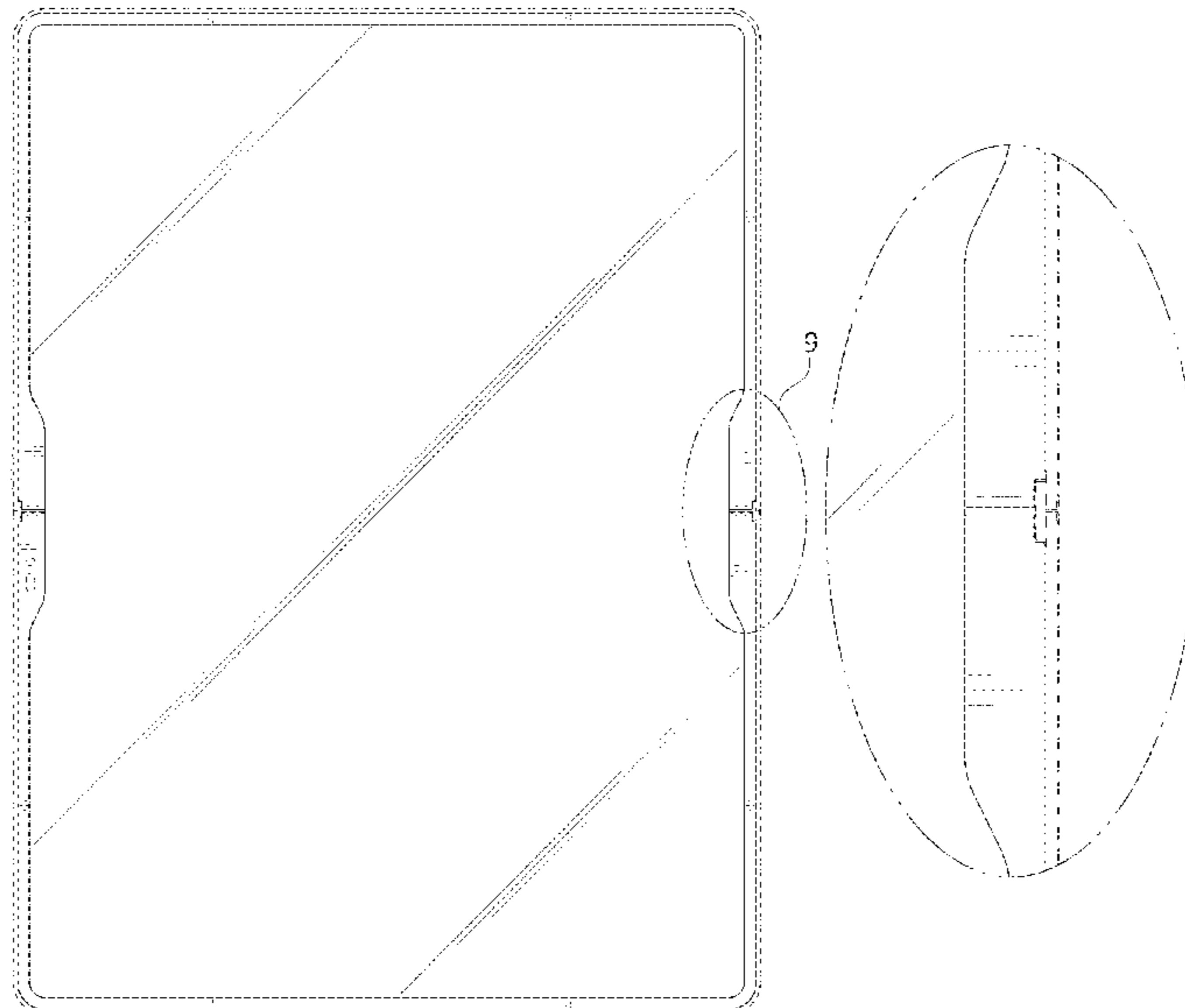
D669,480 S * 10/2012 Piedra D14/440
D673,560 S * 1/2013 Kim D14/341

The short dash-dash broken lines in the figures depict portions of the tablet computer which form no part of the claimed design.

The dot-dot-dash broken lines encircling portions of the claimed design that are illustrated in enlargements form no part of the claimed design.

(Continued)

1 Claim, 9 Drawing Sheets



(56)

References Cited

U.S. PATENT DOCUMENTS

D696,693 S * 12/2013 Kim D14/496
D711,871 S * 8/2014 Daniel D14/341
D715,052 S * 10/2014 Fair D3/301
9,173,287 B1 * 10/2015 Kim G06F 1/1647
D788,773 S * 6/2017 Seo D14/345
D788,774 S * 6/2017 Seo D14/345
D800,909 S * 10/2017 Jones D24/169
D808,949 S * 1/2018 Zuniga D14/316
D814,455 S * 4/2018 Kwon D14/341
D819,628 S * 6/2018 Park D14/345
D828,319 S * 9/2018 Seo D14/138 AB

FOREIGN PATENT DOCUMENTS

CN 201730482683 * 4/2018
EM 003568690-0001 * 1/2017
JP D2012-15720 * 12/2012
KR 3020150034238 * 2/2019

OTHER PUBLICATIONS

Microsoft Windows 10X, Mar. 30, 2020 [online], [retrieved Oct. 8, 2020], Retrieved from Internet, URL: <<https://www.forbes.com/sites/moorinsights/2020/03/30/microsoft-windows-10x-will-spark-innovation-and-market-growth-for-foldable-devices/#54f85ed26b97>> (Year: 2020).*

* cited by examiner

FIG. 1

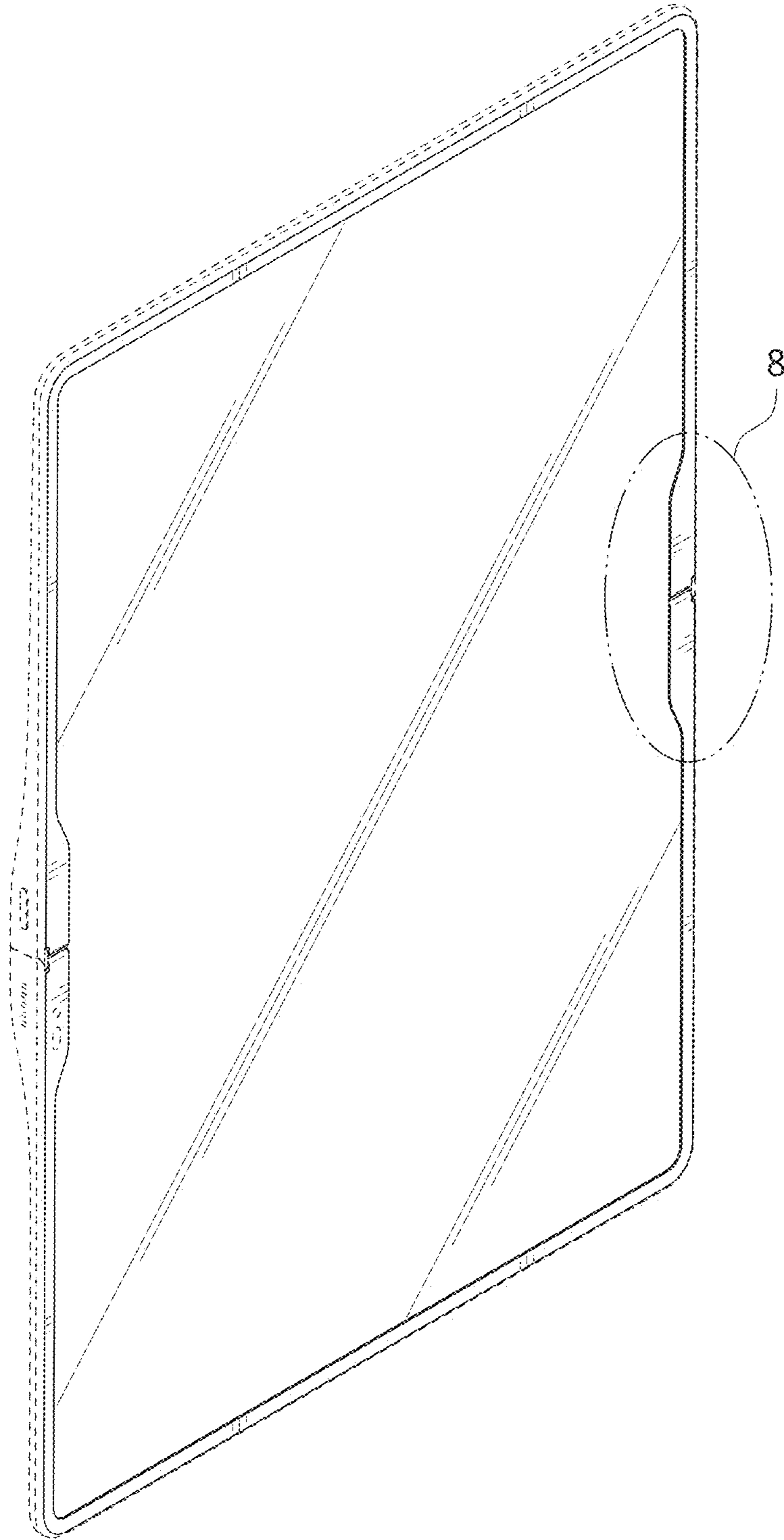


FIG. 2

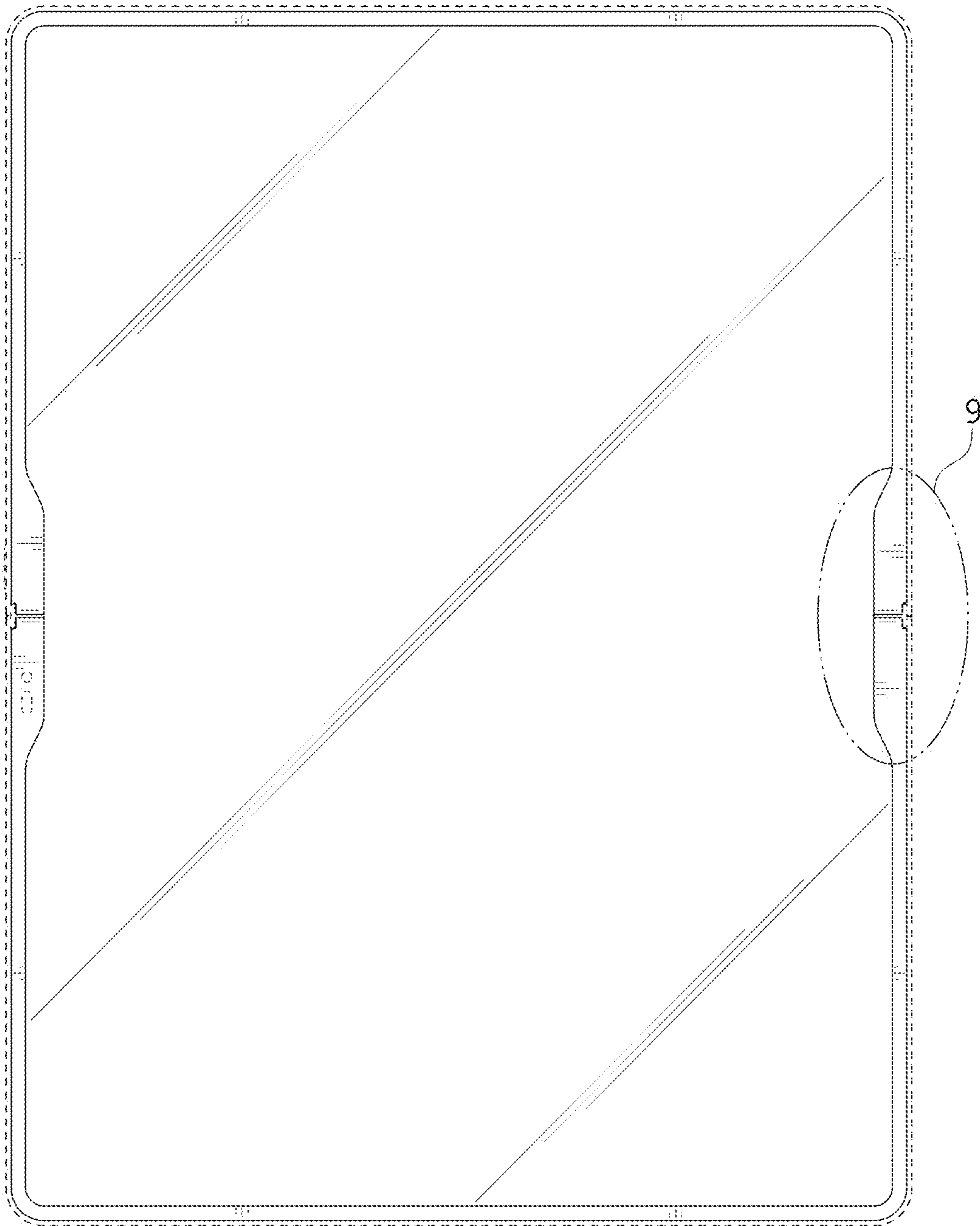


FIG. 3



FIG. 4

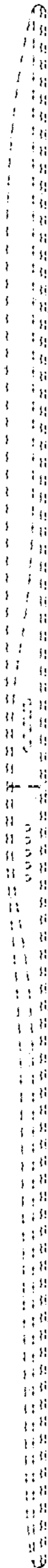


FIG. 5

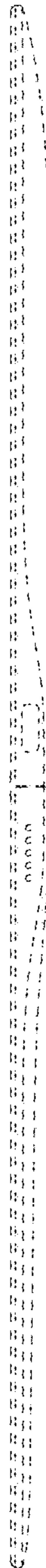


FIG. 6

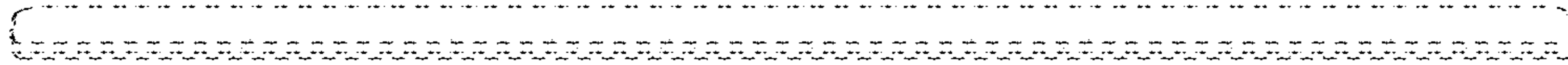


FIG. 7

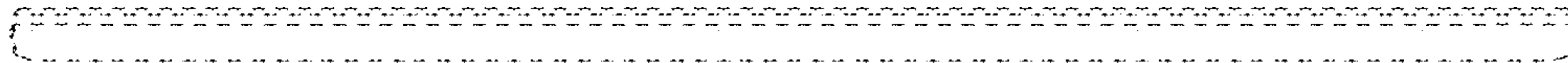


FIG. 8

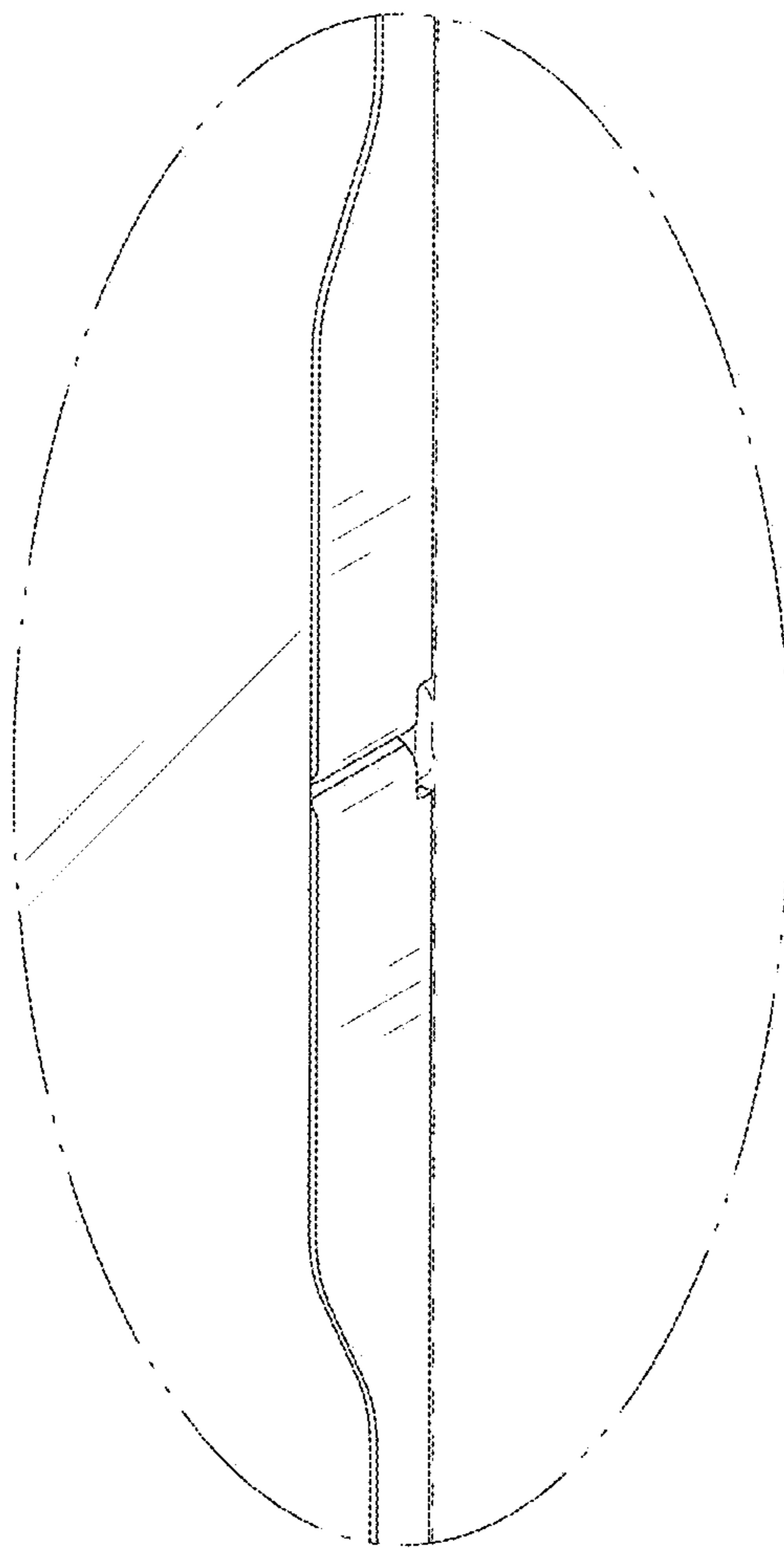


FIG. 9

