



US00D926182S

(12) **United States Design Patent** (10) **Patent No.:** **US D926,182 S**  
**Miller** (45) **Date of Patent:** **\*\* Jul. 27, 2021**

(54) **CELL PHONE PRIVACY COVER**  
(71) Applicant: **Kameron Miller**, Manhattan Beach, CA (US)  
(72) Inventor: **Kameron Miller**, Manhattan Beach, CA (US)  
(\*\*) Term: **15 Years**  
(21) Appl. No.: **29/636,044**  
(22) Filed: **Feb. 6, 2018**

D772,855 S \* 11/2016 Ju ..... D14/250  
D782,562 S \* 3/2017 Gustaveson, II ..... D16/237  
D789,919 S \* 6/2017 Hoshikawa ..... D14/250  
9,829,770 B1 \* 11/2017 Gustaveson, II .... H04N 5/2257  
D813,220 S \* 3/2018 Wright ..... D14/250  
D816,149 S \* 4/2018 Dalton ..... D16/237  
D836,154 S \* 12/2018 Gustaveson, II ..... D16/237  
D837,279 S \* 1/2019 Penn ..... D16/237  
D839,946 S \* 2/2019 De Vries ..... D16/237  
D864,279 S \* 10/2019 Wang ..... D16/237  
D868,136 S \* 11/2019 Tadmor ..... D16/237  
D886,181 S \* 6/2020 Lu ..... D16/237  
10,754,375 B2 \* 8/2020 Wickett ..... G06F 1/1607  
D898,807 S \* 10/2020 Roberts ..... D16/237  
2012/0112031 A1 \* 5/2012 Gormick ..... G06F 1/1686  
248/371

**Related U.S. Application Data**

(63) Continuation of application No. 15/848,658, filed on Dec. 20, 2017, now abandoned.  
(51) **LOC (13) Cl.** ..... **14-03**  
(52) **U.S. Cl.**  
USPC ..... **D14/250**  
(58) **Field of Classification Search**  
USPC ..... D14/203.3–203.7, 439, 251–253, 447, D14/217, 240, 238.1, 250, 440, 248; D13/103, 107–108, 119; D3/201, 218, D3/247, 249, 269, 273, 301, 303; D16/237  
CPC ..... H04B 1/3888; A45C 1/06; A45C 11/00; A45C 13/02; A45C 2011/002; A45F 2005/026; A45F 2200/0525; A45F 2200/0516; H04M 1/0283; H04M 1/0202  
See application file for complete search history.

(Continued)

**OTHER PUBLICATIONS**

C-Slide Webcam Cover, date first available: Jan. 5, 2014, URL:<[https://www.amazon.com/C-Slide-Sliding-Computers-Chromebooks-Consoles/dp/B00HPC66U4/ref=sr\\_1\\_1?dchild=1&keywords=C-slide&qid=1612912541&sr=8-1&th=1](https://www.amazon.com/C-Slide-Sliding-Computers-Chromebooks-Consoles/dp/B00HPC66U4/ref=sr_1_1?dchild=1&keywords=C-slide&qid=1612912541&sr=8-1&th=1)>, 2014.\*

(Continued)

*Primary Examiner* — Carla J Wright  
(74) *Attorney, Agent, or Firm* — Richard B. Cates

(57) **CLAIM**

The ornamental design for a cell phone privacy cover, as shown and described.

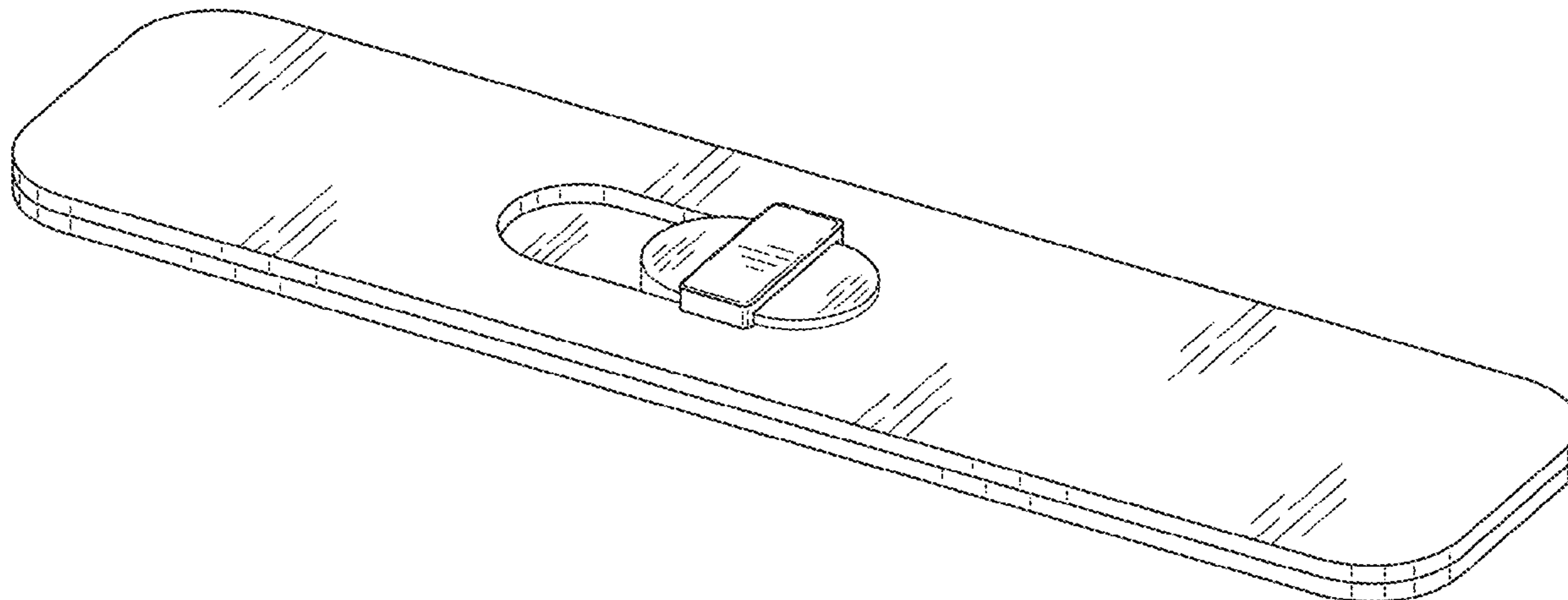
**DESCRIPTION**

FIG. 1 is a front, right side, and bottom perspective view of a cell phone privacy cover showing my new design; FIG. 2 is a front elevational view thereof; FIG. 3 is a right side elevational view thereof; FIG. 4 is a left side elevational view thereof; FIG. 5 is a top plan view thereof; and, FIG. 6 is a bottom plan view thereof.

**1 Claim, 2 Drawing Sheets**

(56) **References Cited**  
U.S. PATENT DOCUMENTS

D525,986 S \* 8/2006 Kim ..... D14/203.3  
D669,112 S \* 10/2012 Gustaveson ..... G03B 11/041  
D16/237  
D740,268 S \* 10/2015 O'Neill ..... D14/250  
D749,555 S \* 2/2016 Poon ..... D14/250  
D759,644 S \* 6/2016 Penn ..... D14/250  
D759,645 S \* 6/2016 Penn ..... D14/250



(56)

**References Cited**

U.S. PATENT DOCUMENTS

2014/0171150	A1*	6/2014	Hurst	.....	H04N 5/2259 455/556.1
2015/0009399	A1*	1/2015	Jonsson	.....	G06F 1/1686 348/373
2015/0163385	A1*	6/2015	Haddad	.....	G03B 9/08 348/374
2015/0320167	A1*	11/2015	Nguyen	.....	A45F 5/00 224/191
2019/0179212	A1*	6/2019	Leimer	.....	G03B 11/043
2019/0369462	A1*	12/2019	Krause	.....	G03B 11/045

OTHER PUBLICATIONS

This \$1,000 iPhone Case is the Ultimate Privacy Guard, Scott Tharler, published Feb. 3, 2016, URL:<<https://www.maxim.com/gear/privoro-privacy-guard-iphone-case-2016-02>>, 2016.\*

Privoro: Phone Privacy Guard, earliest capture date from WayBack Machine: Mar. 10, 2017, URL:<<https://essentialdesign.com/case-study/privoro-privacy-guard/>> and <<https://web.archive.org/web/20170310004627/https://essentialdesign.com/case-study/privoro-privacy-guard/>>, 2017.\*

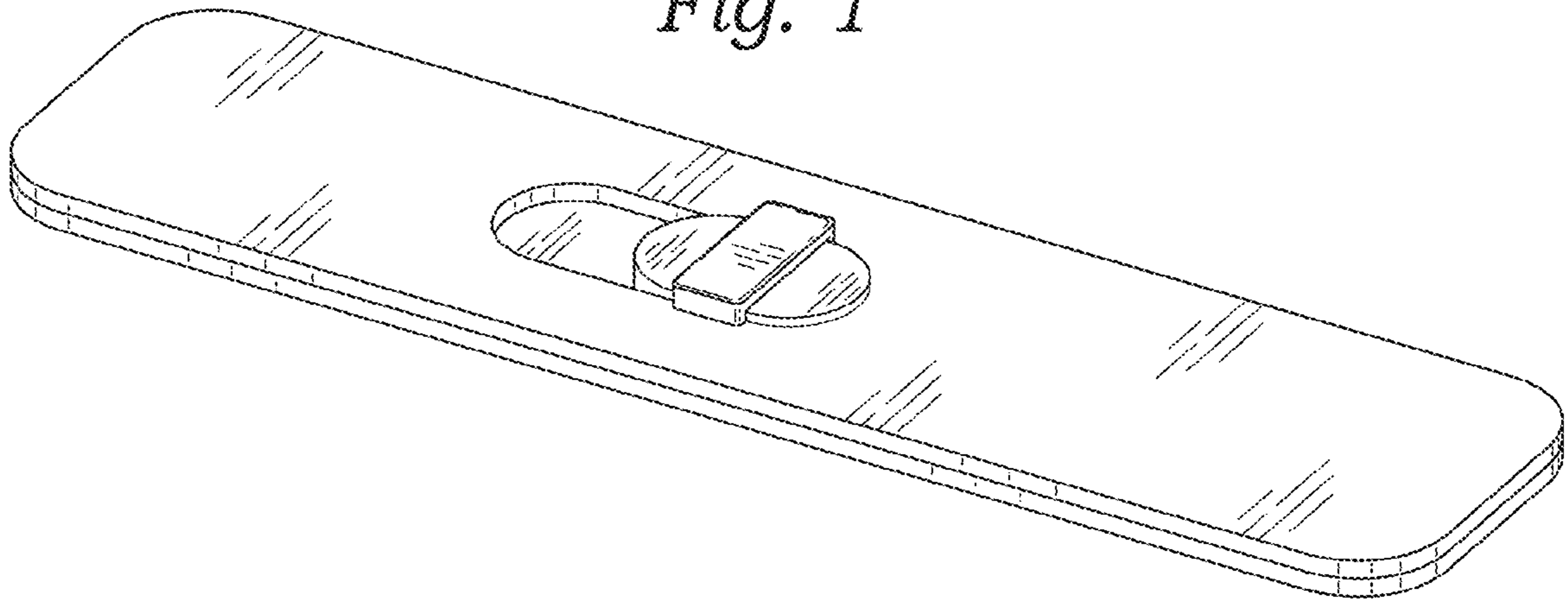
Cimkiz Wb01+Wb02 Webcam Cover Slide, Metal Magnet Web Camera Cover; date first available: Oct. 16, 2017; URL:<[https://www.amazon.com/Cimkiz-Cellphone-Protecting-Privacy-Strong-Adhesive-6/dp/B076H3HFY6/ref=sr\\_1\\_47?dchild=1&keywords=c-slide+cover&qid=1612968499&s=electronics&sr=1-47](https://www.amazon.com/Cimkiz-Cellphone-Protecting-Privacy-Strong-Adhesive-6/dp/B076H3HFY6/ref=sr_1_47?dchild=1&keywords=c-slide+cover&qid=1612968499&s=electronics&sr=1-47)>, 2017.\*

9 Webcam Cover Slide for Laptop, URL:<[https://www.amazon.com/ZOOKYO-Security-Smartphone-Cellphone-Adhesive/dp/B075XLPJM2/ref=sr\\_1\\_26?dchild=1&keywords=c-slide+cover&qid=1612968499&s=electronics&sr=1-26](https://www.amazon.com/ZOOKYO-Security-Smartphone-Cellphone-Adhesive/dp/B075XLPJM2/ref=sr_1_26?dchild=1&keywords=c-slide+cover&qid=1612968499&s=electronics&sr=1-26)>, 2017.\*

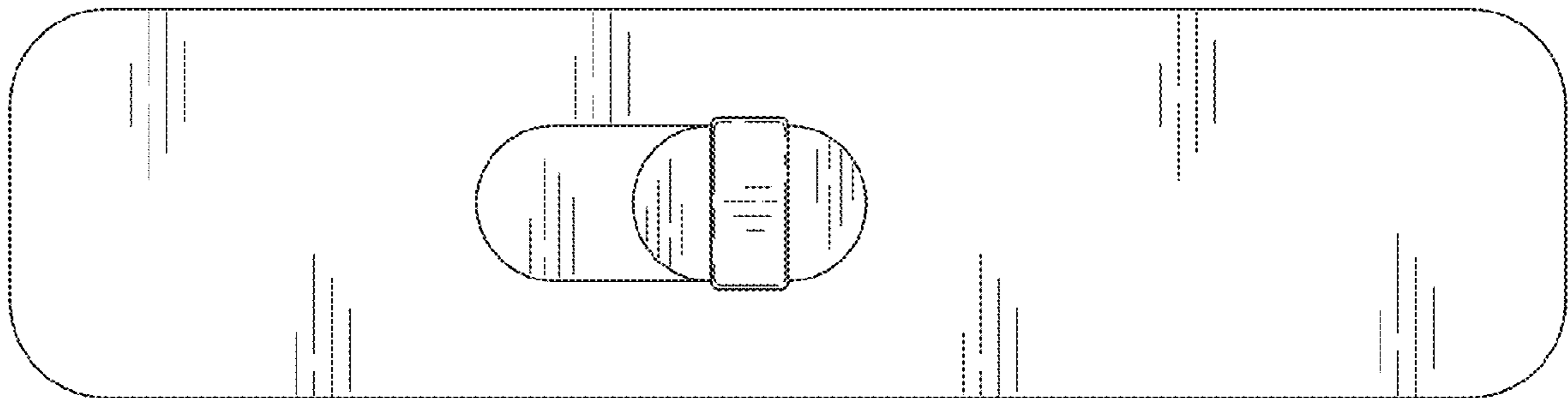
Review: The Lenovo ThinkCentre E93z, by Paul Mah, posted Dec. 20, 2013; URL:<<https://www.itbusinessedge.com/slideshows/review-the-lenovo-thinkcentre-e93z-06.html>>, 2013.\*

\* cited by examiner

*Fig. 1*



*Fig. 2*



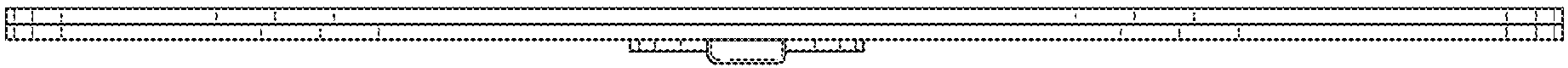
*Fig. 3*



*Fig. 4*



*Fig. 5*



*Fig. 6*

