



US00D926181S

(12) **United States Design Patent**
Maldonado et al.

(10) **Patent No.:** **US D926,181 S**
(45) **Date of Patent:** **** Jul. 27, 2021**

(54) **CASE MOUNT WITH FINGER STRAP FOR AN ELECTRONIC COMMUNICATION DEVICE**

DESCRIPTION

- (71) Applicants: **Nicolas Eduardo Maldonado**, Austin, TX (US); **Hoan Truong**, Austin, TX (US)
- (72) Inventors: **Nicolas Eduardo Maldonado**, Austin, TX (US); **Hoan Truong**, Austin, TX (US)
- (73) Assignee: **ReadyPERIOD LLC**, Austin, TX (US)
- (**) Term: **15 Years**

- (21) Appl. No.: **29/611,621**
- (22) Filed: **Jul. 24, 2017**

Related U.S. Application Data

- (63) Continuation-in-part of application No. 29/499,366, filed on Aug. 14, 2014, now abandoned.
- (51) **LOC (13) Cl.** **14-03**
- (52) **U.S. Cl.**
USPC **D14/250**
- (58) **Field of Classification Search**
USPC D14/203.3–203.7, 439, 251–253, 447, D14/217, 240, 238.1, 250, 440, 248;
(Continued)

(56) **References Cited**

U.S. PATENT DOCUMENTS

- D650,531 S * 12/2011 Young D29/120.1
 - D675,197 S * 1/2013 Losiewicz D14/250
- (Continued)

Primary Examiner — Carla J Wright
(74) *Attorney, Agent, or Firm* — Pierson IP, PLLC

(57) **CLAIM**

The ornamental design for a case mount with finger strap for an electronic communication device, as shown and described.

FIG. 1 is a perspective view of a case mount with finger strap for an electronic communication device showing the case mount component of our new design in isolation for clarity of disclosure;

FIG. 2 is a front view thereof;

FIG. 3 is a rear view thereof;

FIG. 4 is a first side view thereof;

FIG. 5 is a second side view thereof;

FIG. 6 is a top view thereof;

FIG. 7 is a bottom view thereof;

FIG. 8 is a perspective view showing the finger strap component of the case mount with finger strap for an electronic communication device in isolation for clarity of disclosure;

FIG. 9 is a front view thereof;

FIG. 10 is a rear view thereof;

FIG. 11 is a first side view thereof;

FIG. 12 is a second side view thereof;

FIG. 13 is a top view thereof;

FIG. 14 is a bottom view thereof;

FIG. 15 is a perspective view of the case mount with finger strap for an electronic communication device showing our new design with both components together in an assembled state;

FIG. 16 is a front view thereof;

FIG. 17 is a rear view thereof;

FIG. 18 is a first side view thereof;

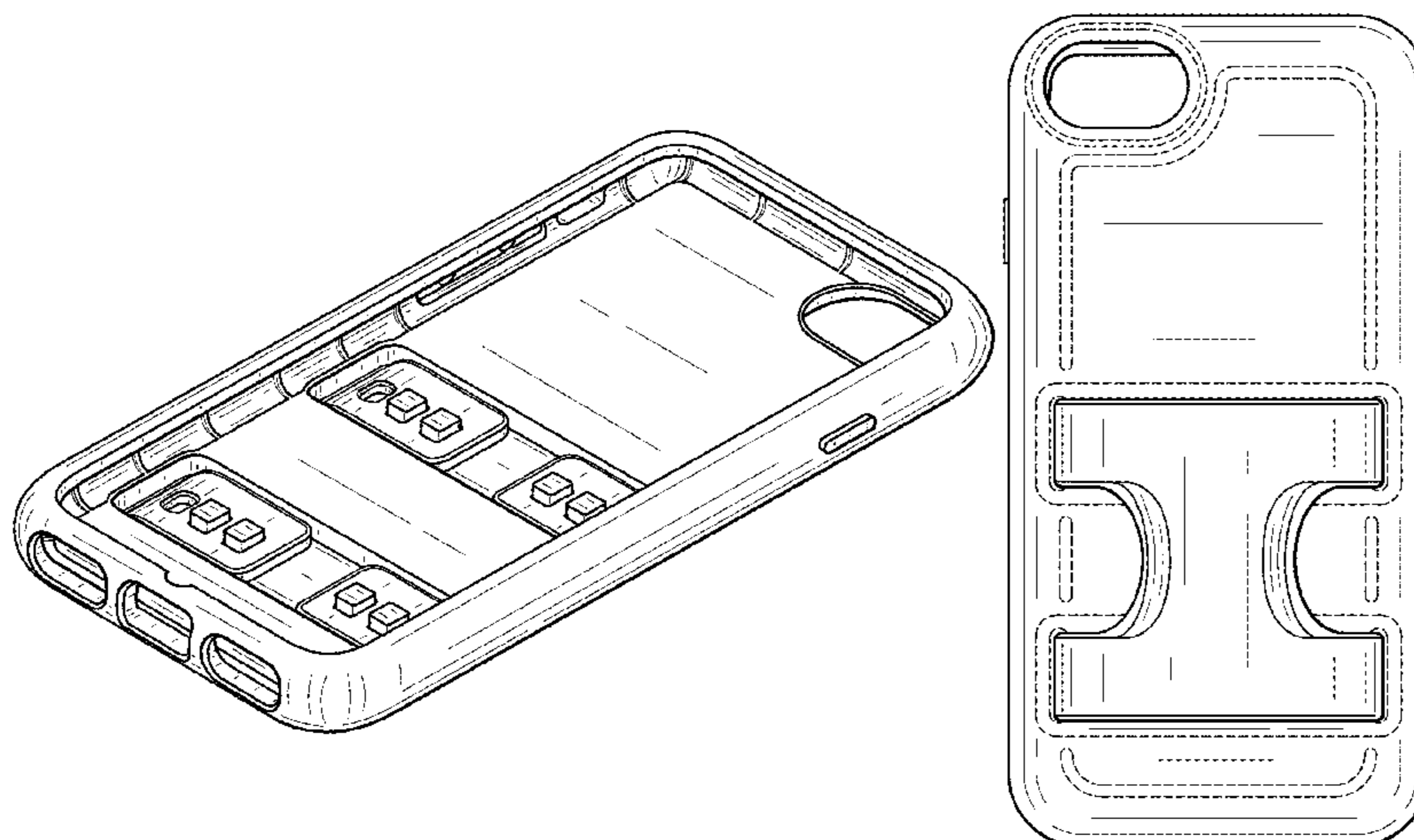
FIG. 19 is a second side view thereof;

FIG. 20 is a top view thereof; and,

FIG. 21 is a bottom view thereof.

For clarity of disclosure, the components of the case mount with finger strap for an electronic communication device are shown in isolation in FIGS. 1-14. Although the case mount with finger strap for an electronic communication device, in which the claimed design is embodied, consists of a case mount component and a finger strap component, the claim is directed to the overall ornamental appearance of the case mount with finger strap for an electronic communication device in its entirety, as shown in FIGS. 15-21, and does not extend to the ornamental appearance of each of the individual components in isolation.

(Continued)



The broken lines throughout the drawing figures depict portions of the case mount with finger strap for an electronic communication device that form no part of the claimed design.

1 Claim, 12 Drawing Sheets

(58) **Field of Classification Search**

USPC D13/103, 107-108, 119; D3/201, 218, D3/247, 249, 269, 273, 301, 303
 CPC H04B 1/3888; A45C 1/06; A45C 11/00; A45C 13/02; A45C 2011/002; A45F 2005/026; A45F 2200/0525; A45F 2200/0516; H04M 1/0283; H04M 1/0202
 See application file for complete search history.

(56) **References Cited**

U.S. PATENT DOCUMENTS

8,374,657 B2 * 2/2013 Interdonato H04B 1/385 455/575.4
 8,428,664 B1 * 4/2013 Wyers F16M 13/04 455/575.1
 D685,376 S * 7/2013 Kim D14/439
 8,528,798 B2 * 9/2013 Chen A45C 3/001 224/217
 D705,767 S * 5/2014 Yoon D14/250
 D721,376 S * 1/2015 Lee D14/440
 D723,569 S * 3/2015 Peng D14/440
 D725,659 S * 3/2015 Tussy D14/440
 D733,696 S * 7/2015 Burgett D14/250
 D738,872 S * 9/2015 Erickson-Davis D14/250
 D745,014 S * 12/2015 Vales D14/447
 D749,592 S * 2/2016 Huang D14/440
 9,259,076 B2 * 2/2016 Gayler G06F 1/1628
 D769,854 S * 10/2016 Duval D14/250

D771,030 S * 11/2016 Tussy D14/250
 D794,007 S * 8/2017 Zhang D14/250
 D816,072 S * 4/2018 Maldonado D14/250
 D831,635 S * 10/2018 Gibson D14/250
 D848,410 S * 5/2019 Schiro D14/250
 2012/0031937 A1 * 2/2012 Baker A45F 5/00 224/217
 2012/0063066 A1 * 3/2012 Floit A45F 3/14 361/679.01
 2012/0200102 A1 * 8/2012 McMeans A45F 5/00 294/149
 2012/0261930 A1 * 10/2012 Bethea H04M 1/04 294/25
 2012/0305445 A1 * 12/2012 Hu A45F 5/00 206/775
 2013/0140312 A1 * 6/2013 Lane G06F 1/1628 220/315
 2013/0240380 A1 * 9/2013 Hansen A45F 5/00 206/37
 2014/0054910 A1 * 2/2014 Kim H04B 1/3888 294/158
 2014/0159402 A1 * 6/2014 Madrid H04M 1/0279 294/137
 2014/0166504 A1 * 6/2014 Gant A45F 5/00 206/37
 2014/0166707 A1 * 6/2014 Leisey-Bartsch H04B 1/3888 224/197
 2014/0217135 A1 * 8/2014 Murphy F16M 13/04 224/218
 2014/0231276 A1 * 8/2014 Jung A45C 11/00 206/37
 2014/0252786 A1 * 9/2014 Singhal H04B 1/3888 294/137
 2015/0009610 A1 * 1/2015 London G06F 1/163 361/679.03
 2015/0272307 A1 * 10/2015 Potter F16M 13/04 248/558
 2018/0048342 A1 * 2/2018 Curcio H04M 1/0202

* cited by examiner

FIG. 1

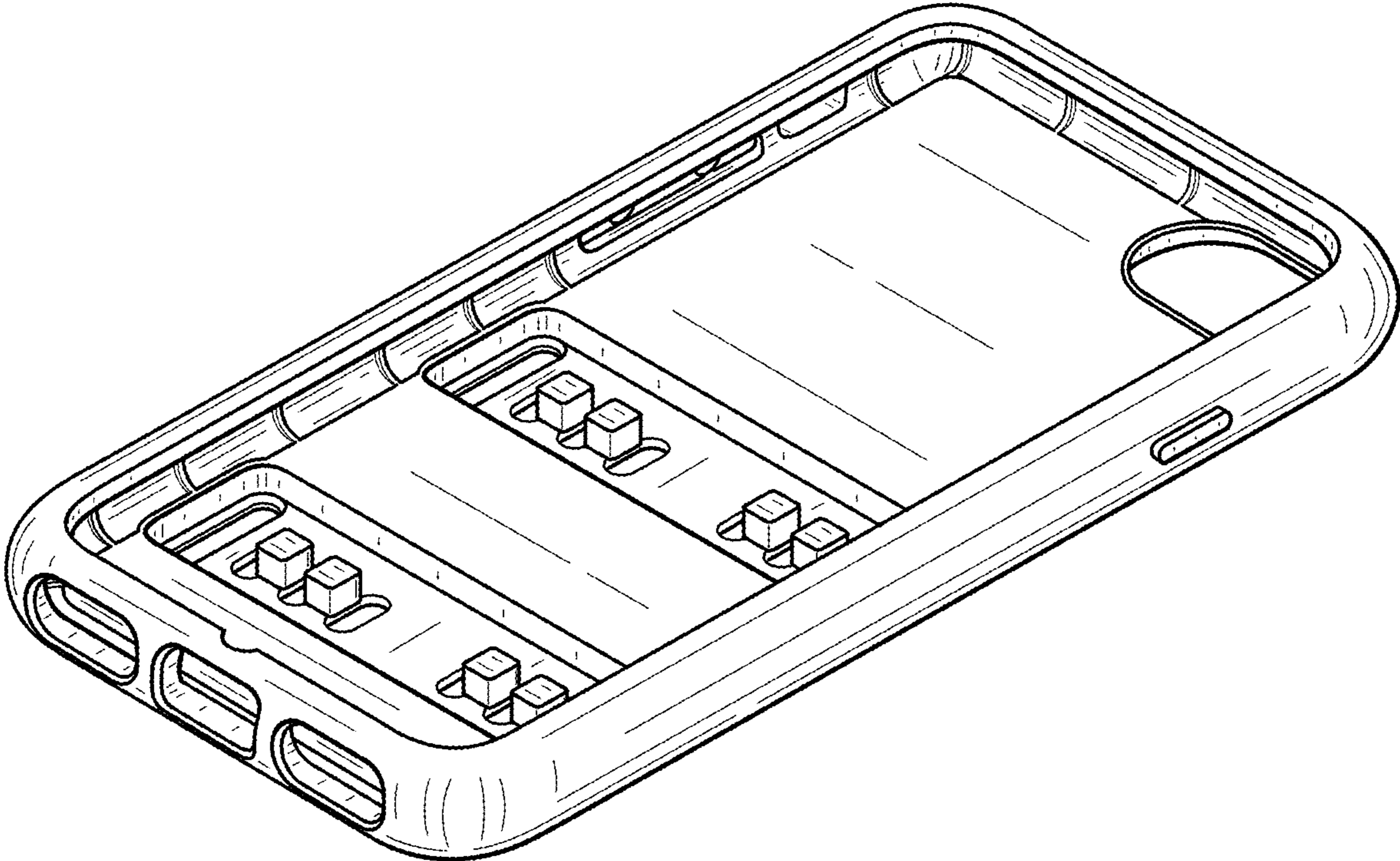


FIG. 2

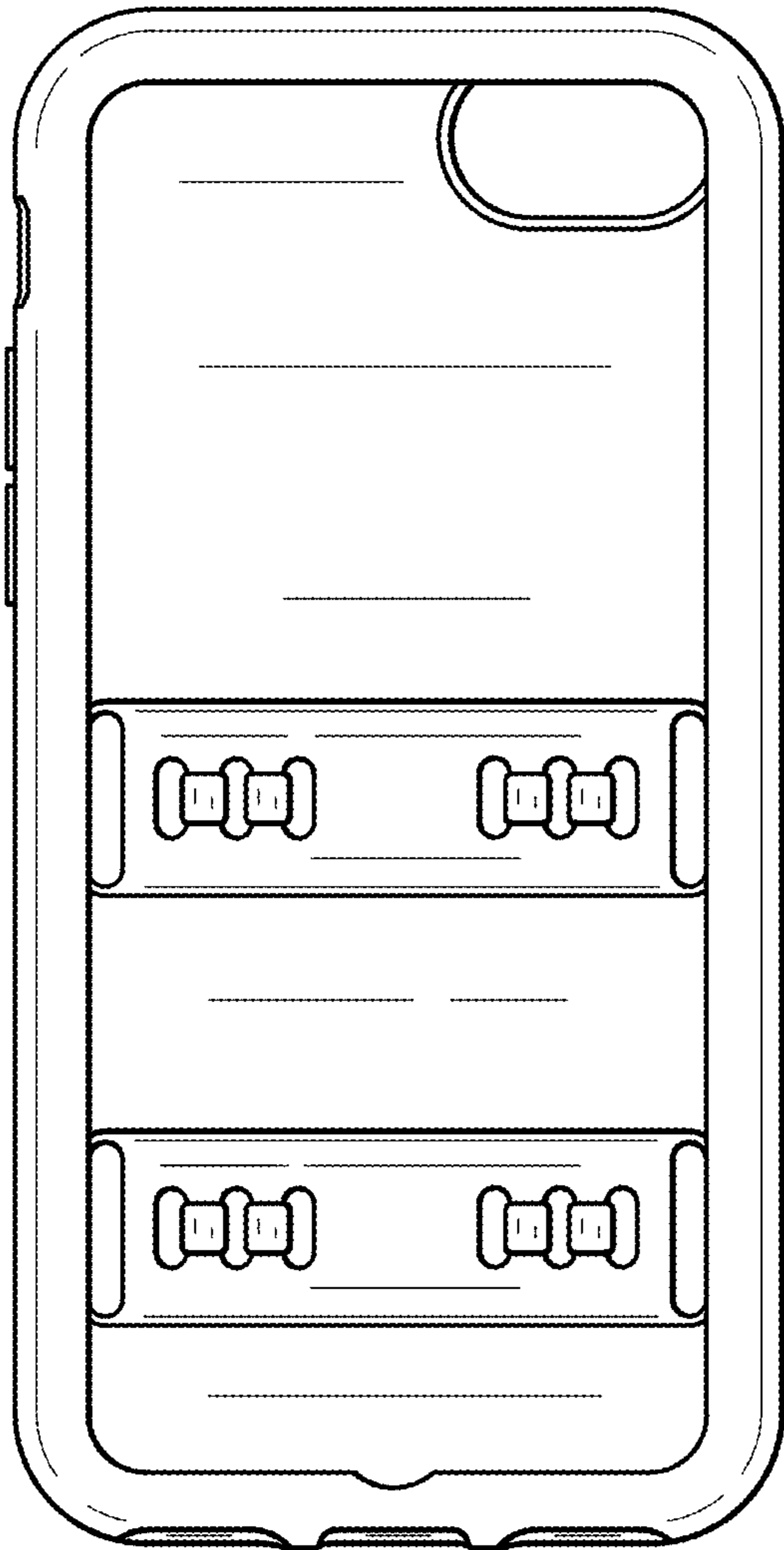


FIG. 3

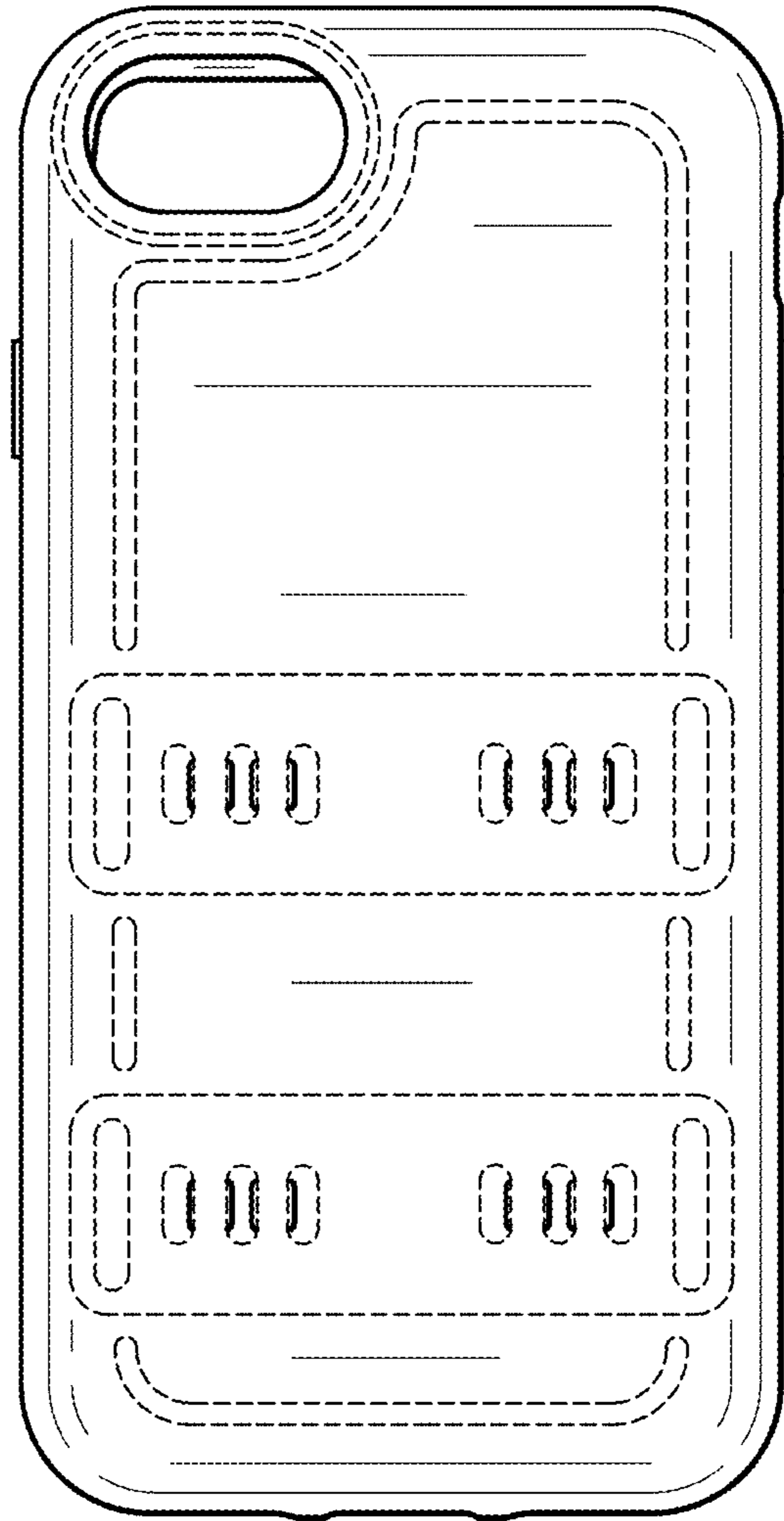


FIG. 4

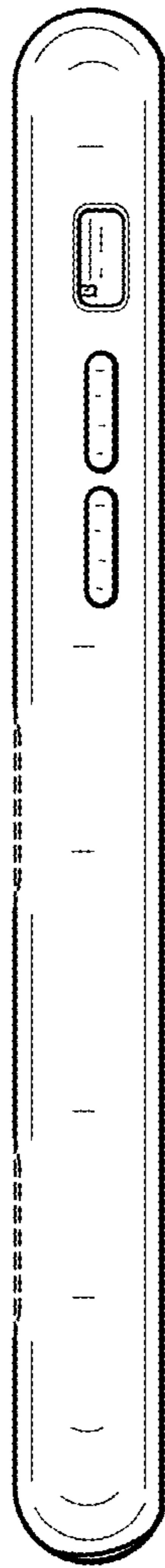


FIG. 5

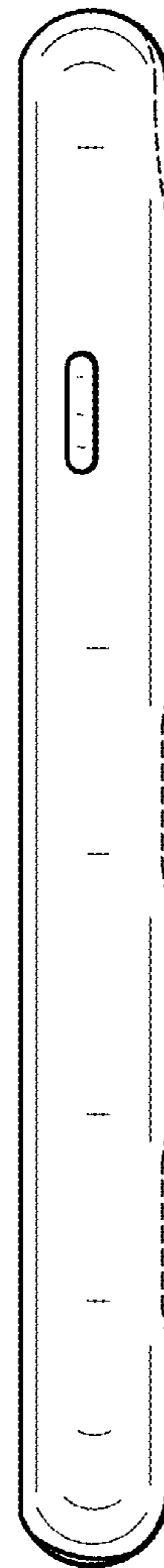


FIG. 6



FIG. 7

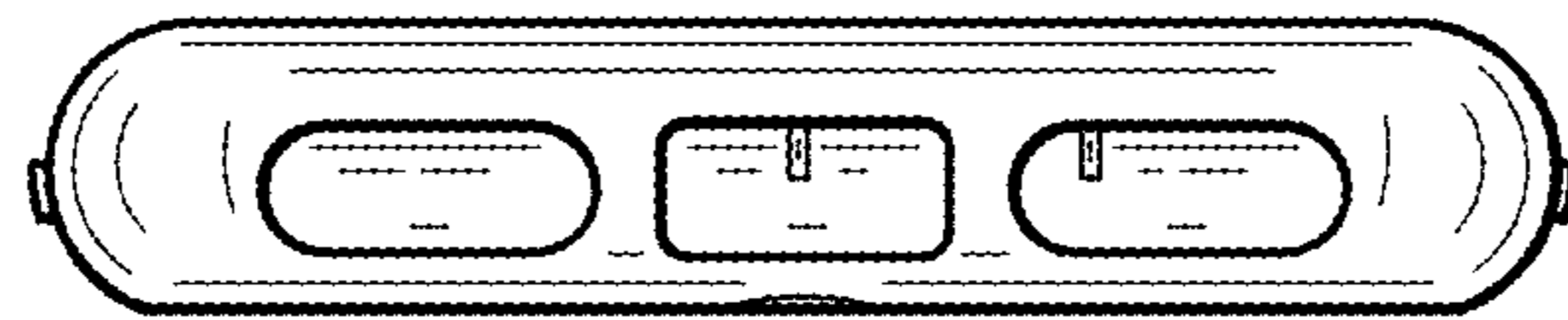


FIG. 8

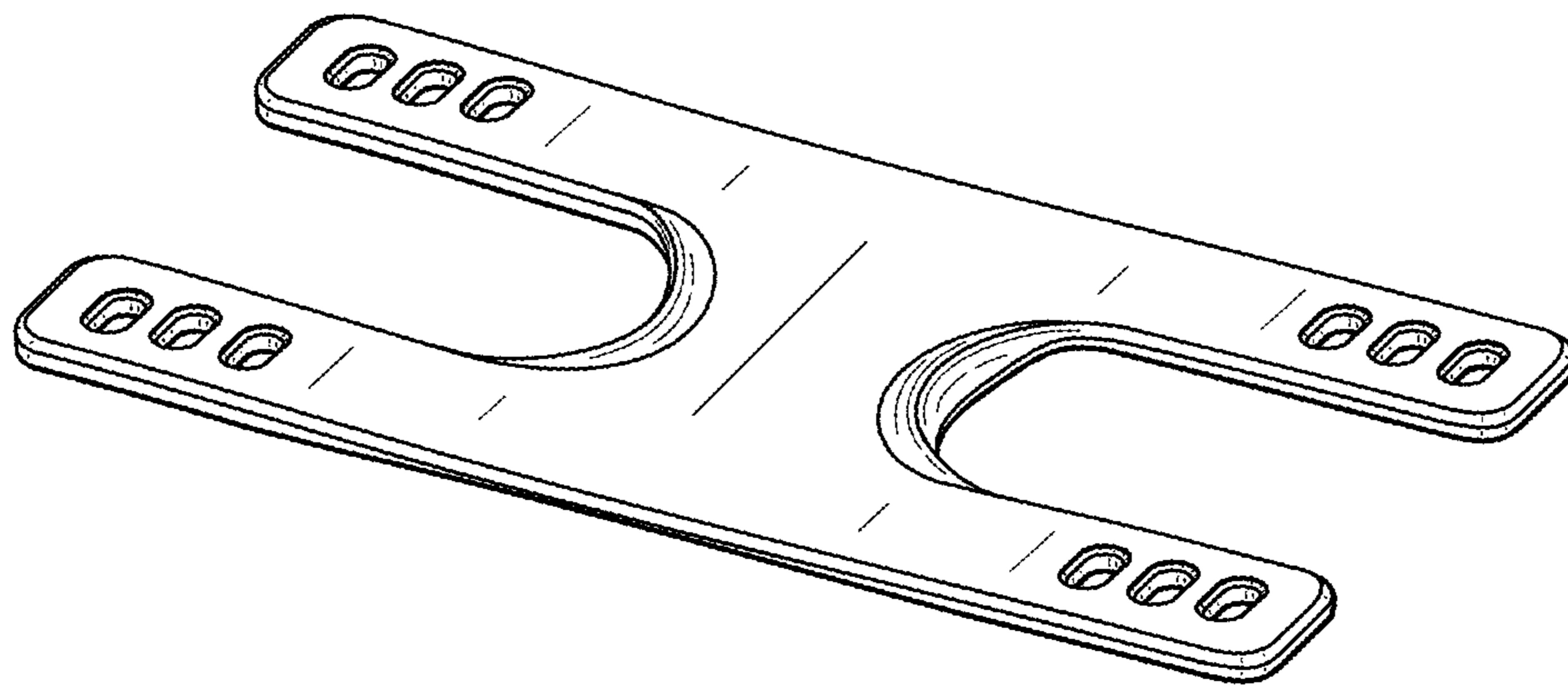


FIG. 9

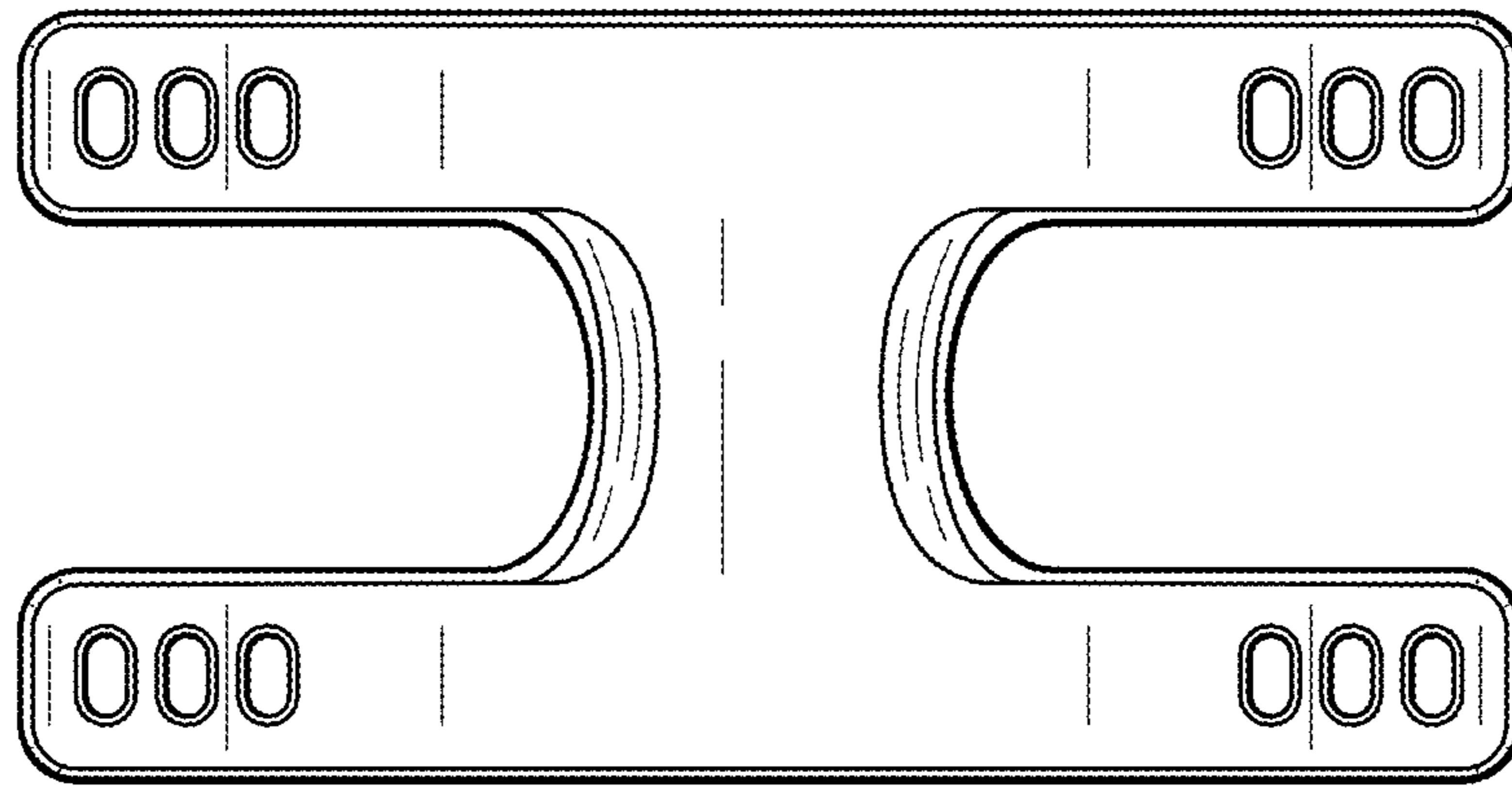


FIG. 10

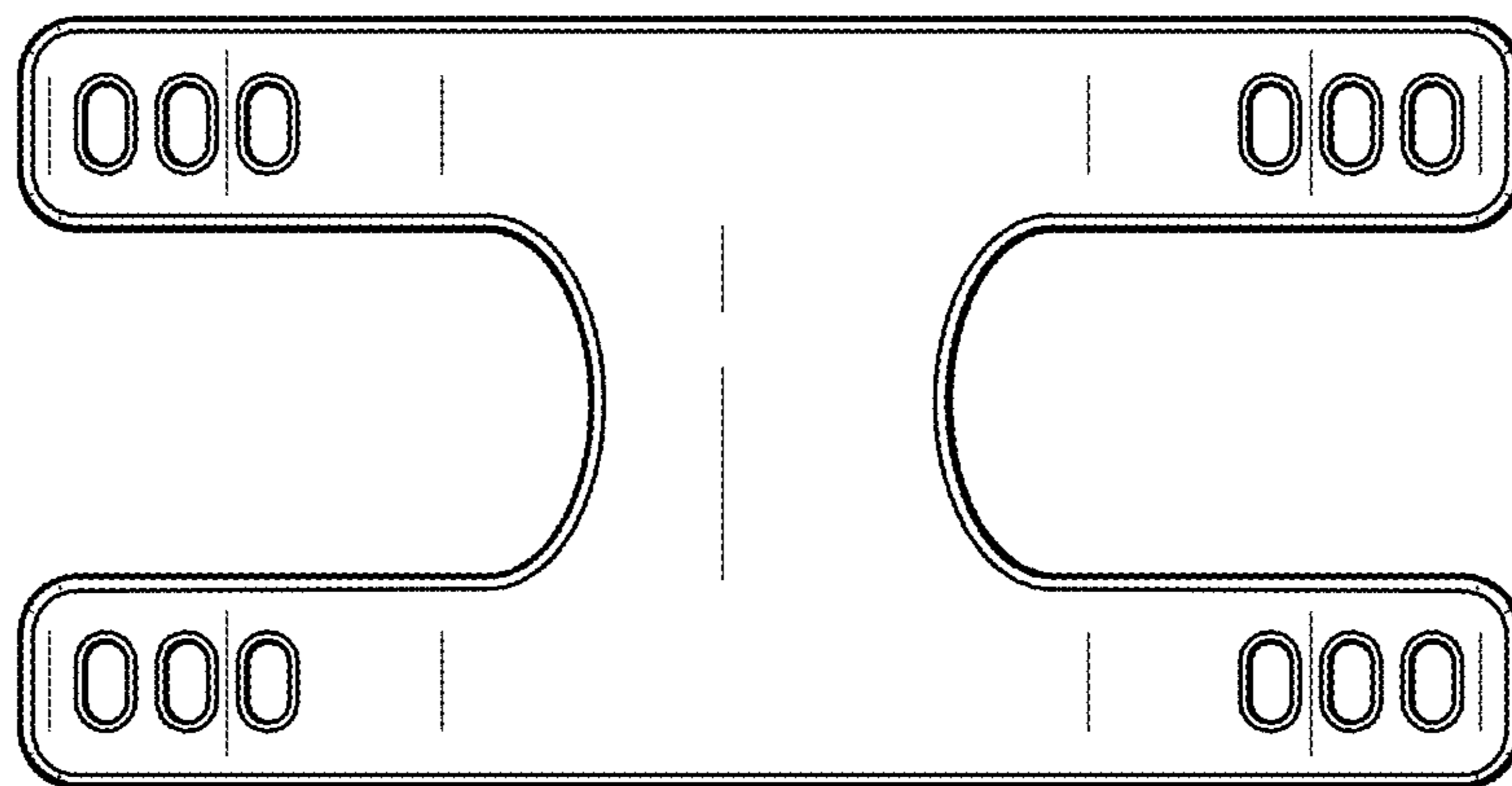


FIG. 11



FIG. 12



FIG. 13



FIG. 14



FIG. 15

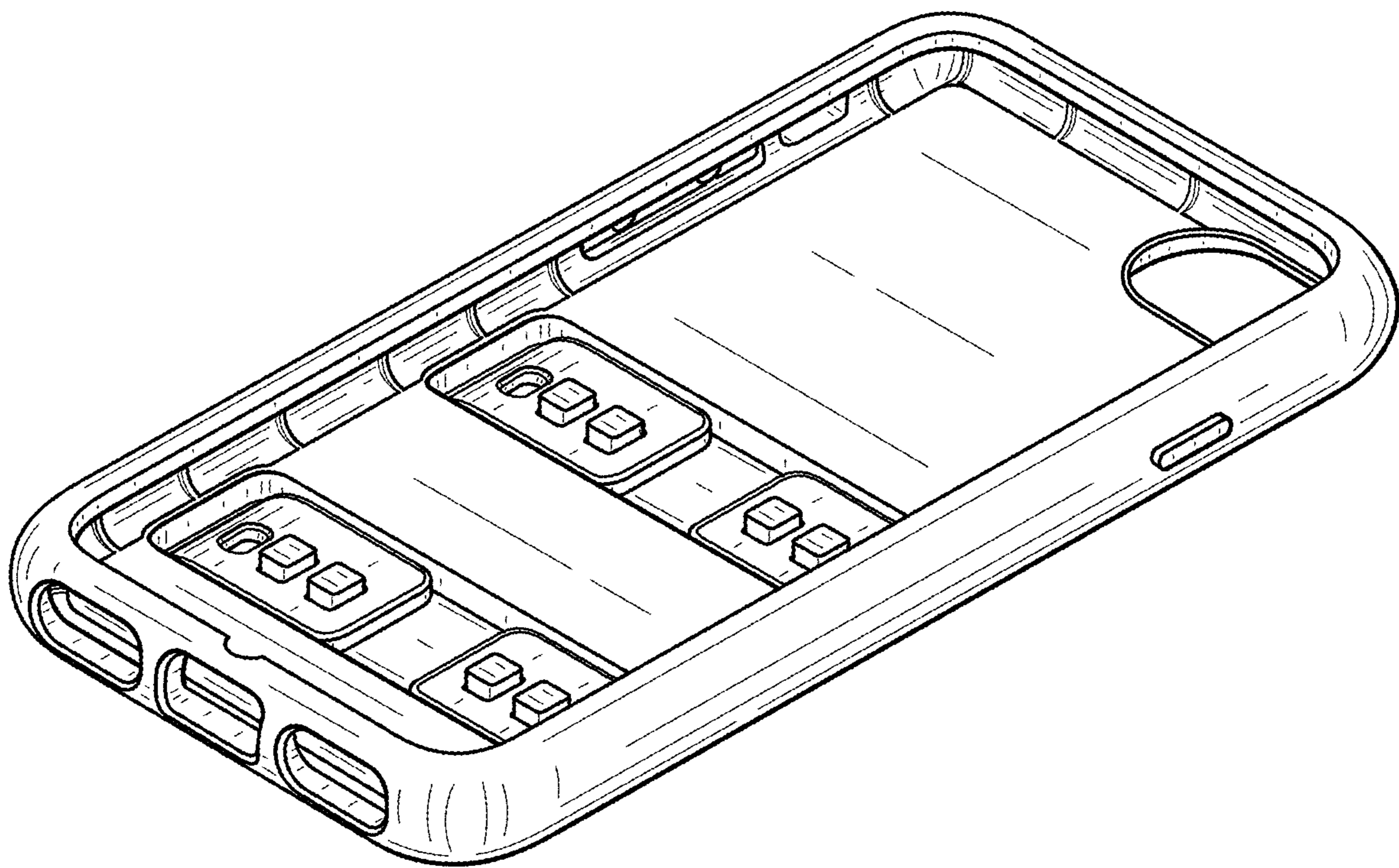


FIG. 16

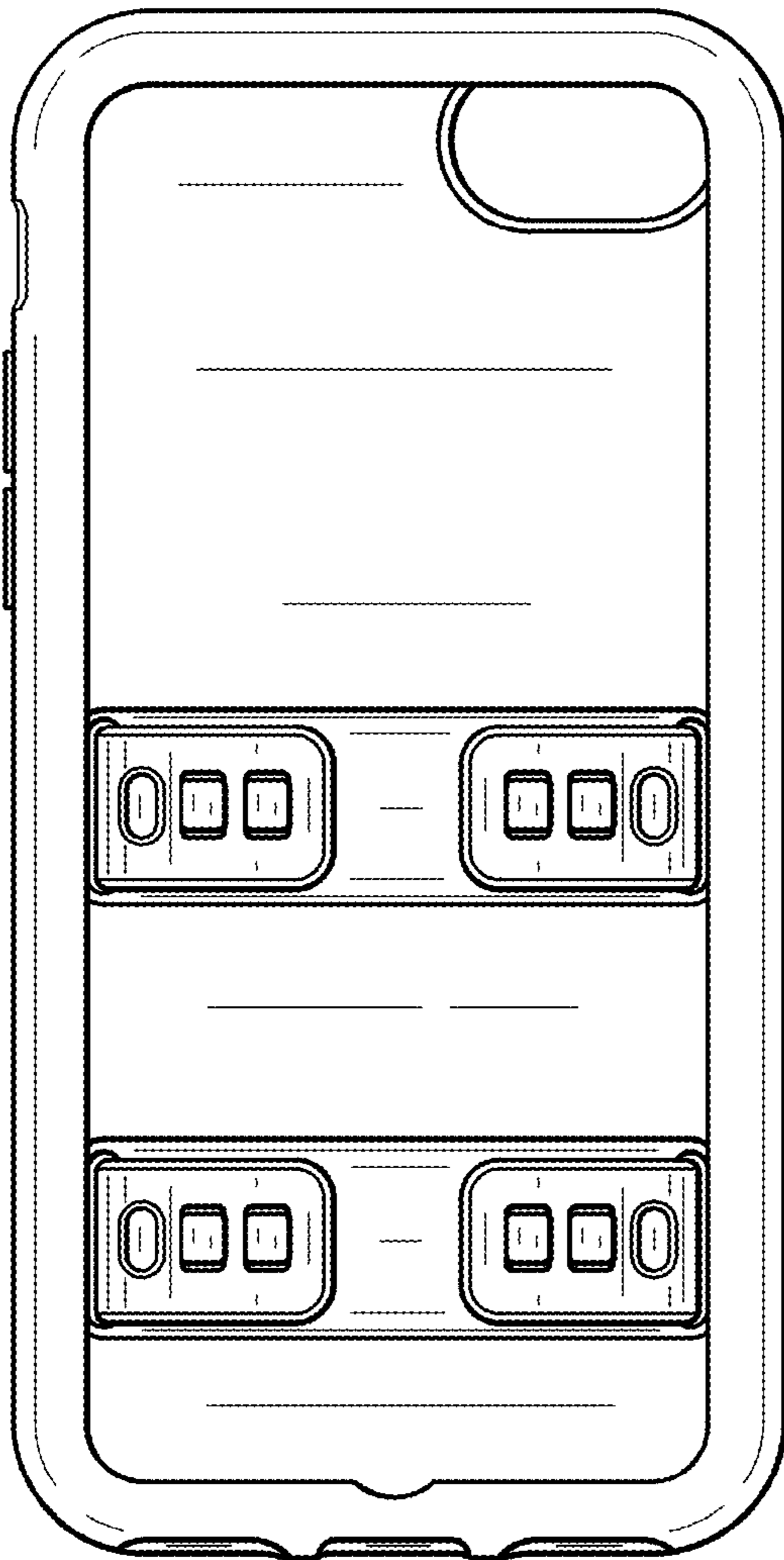


FIG. 17

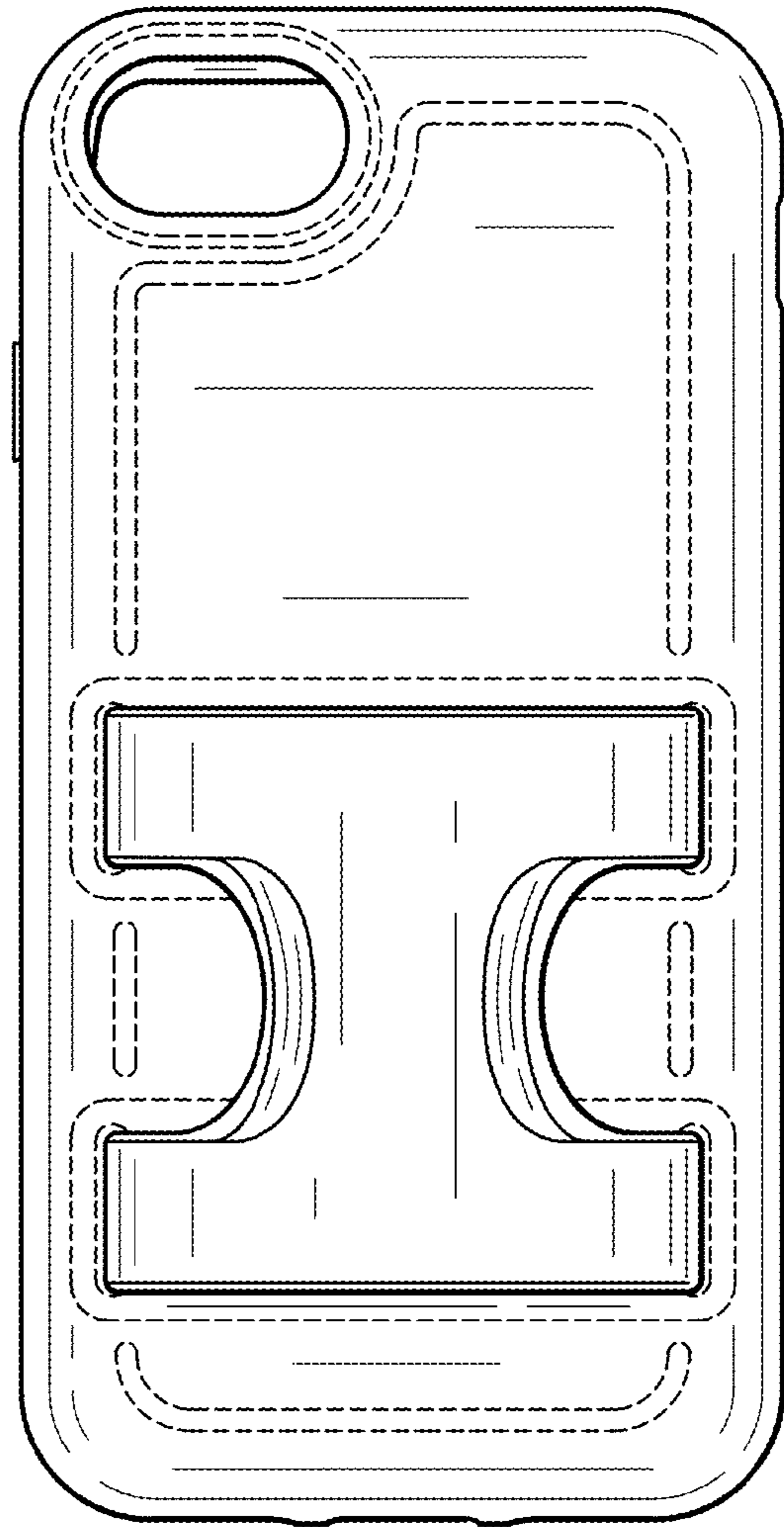


FIG. 18

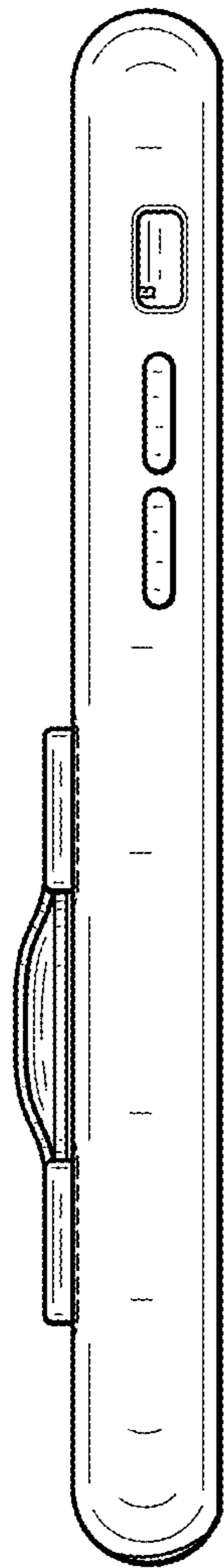


FIG. 19

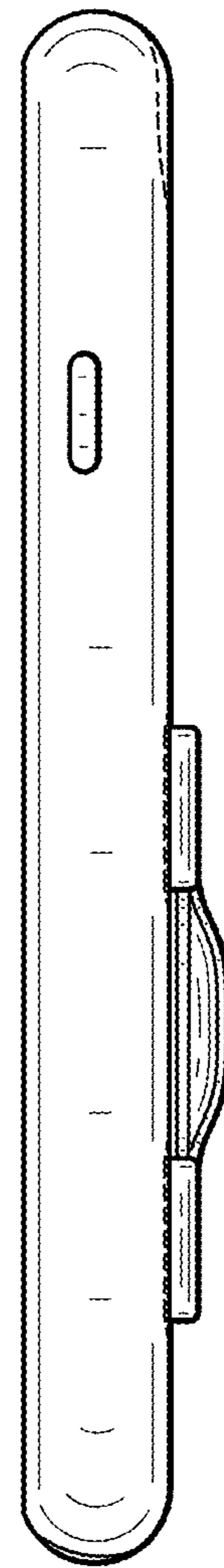


FIG. 20

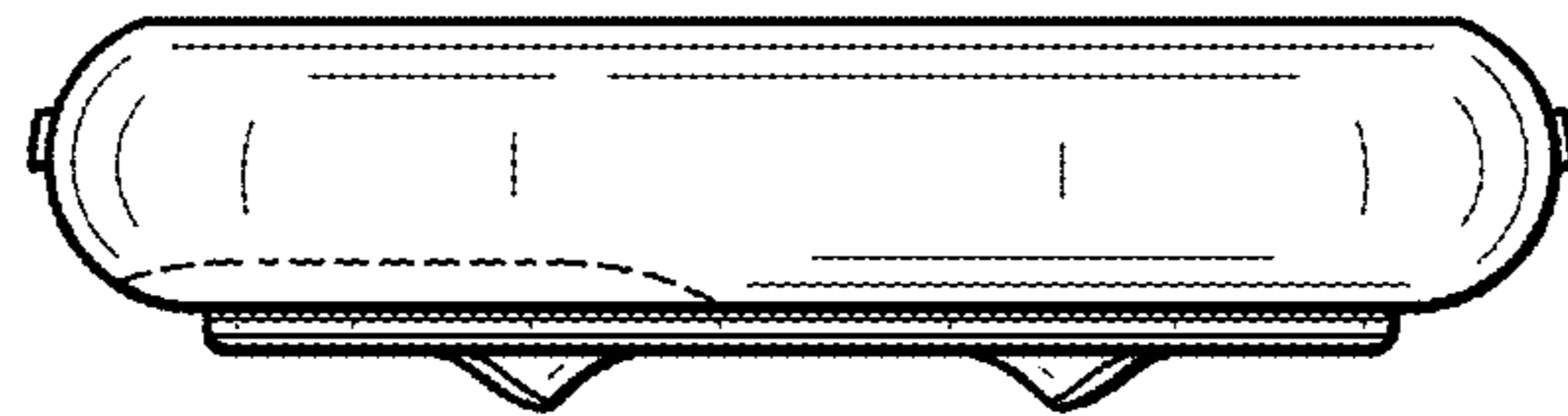


FIG. 21

