



US00D926168S

(12) **United States Design Patent** (10) **Patent No.:** **US D926,168 S**  
**Forster** (45) **Date of Patent:** **\*\* Jul. 27, 2021**

(54) **RFID INLAY**

(56) **References Cited**

(71) Applicant: **AVERY DENNISON RETAIL INFORMATION SERVICES LLC**, Mentor, OH (US)

U.S. PATENT DOCUMENTS

(72) Inventor: **Ian J. Forster**, Chelmsford (GB)

D535,264 S *	1/2007	Lai .....	D13/182
D715,780 S *	10/2014	Forster .....	D14/230
D719,936 S *	12/2014	Forster .....	D14/230
D729,780 S *	5/2015	Koskelainen .....	D14/230
D766,881 S *	9/2016	Man .....	D14/230
D788,744 S *	6/2017	Forster .....	D14/230
D794,001 S *	8/2017	Ota .....	D14/230
D814,448 S *	4/2018	Montgomery .....	D14/230
D866,536 S *	11/2019	Forster .....	D14/230
D875,721 S *	2/2020	Forster .....	D14/230
2008/0150829 A1 *	6/2008	Lin .....	H01Q 5/335 343/860
2010/0060526 A1 *	3/2010	Cheng .....	H01Q 9/285 343/700 MS

(73) Assignee: **Avery Dennison Retail Information Services, LLC**, Mentor, OH (US)

(\*\*) Term: **15 Years**

(21) Appl. No.: **29/718,804**

(22) Filed: **Dec. 29, 2019**

\* cited by examiner

(51) **LOC (13) Cl.** ..... **14-03**

*Primary Examiner* — John Windmuller

(52) **U.S. Cl.**  
USPC ..... **D14/230**

(57) **CLAIM**

(58) **Field of Classification Search**  
USPC ..... D14/138, 230–238, 299, 358; D12/42, D12/43

The ornamental design for an RFID inlay, as shown and described.

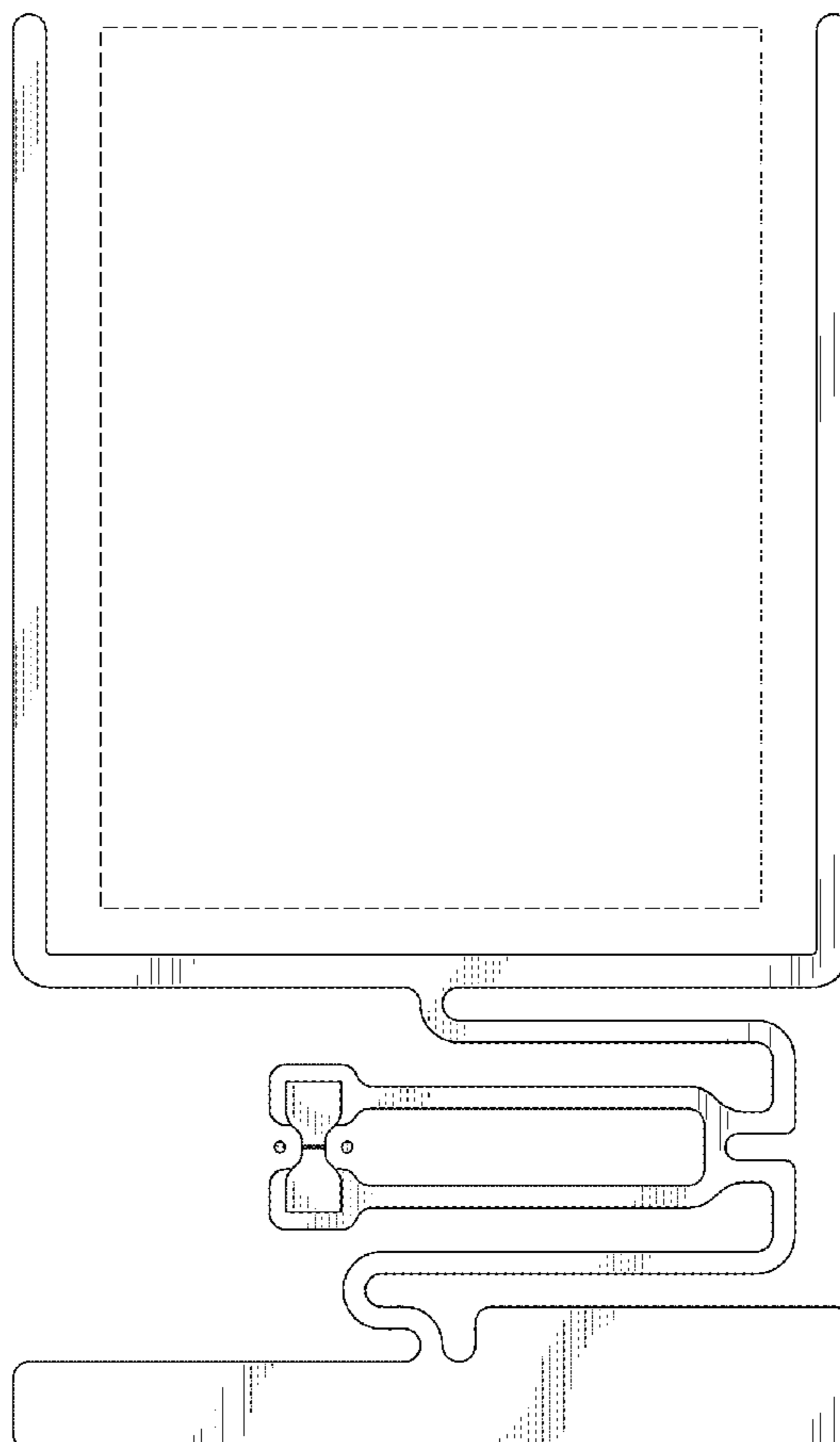
CPC ..... H01Q 7/00; H01Q 13/10; H01Q 9/285; H01Q 19/30; H01Q 19/12; H01Q 1/38; H01Q 1/36; H01Q 2/0027; H01Q 1/48; H01Q 9/045; H01Q 1/243; H04B 1/0475; H04B 1/034; H05K 11/00

**DESCRIPTION**

FIG. 1 is an isometric view of an RFID inlay, showing my design; and, FIG. 2 is a top view of thereof.

See application file for complete search history.

**1 Claim, 2 Drawing Sheets**



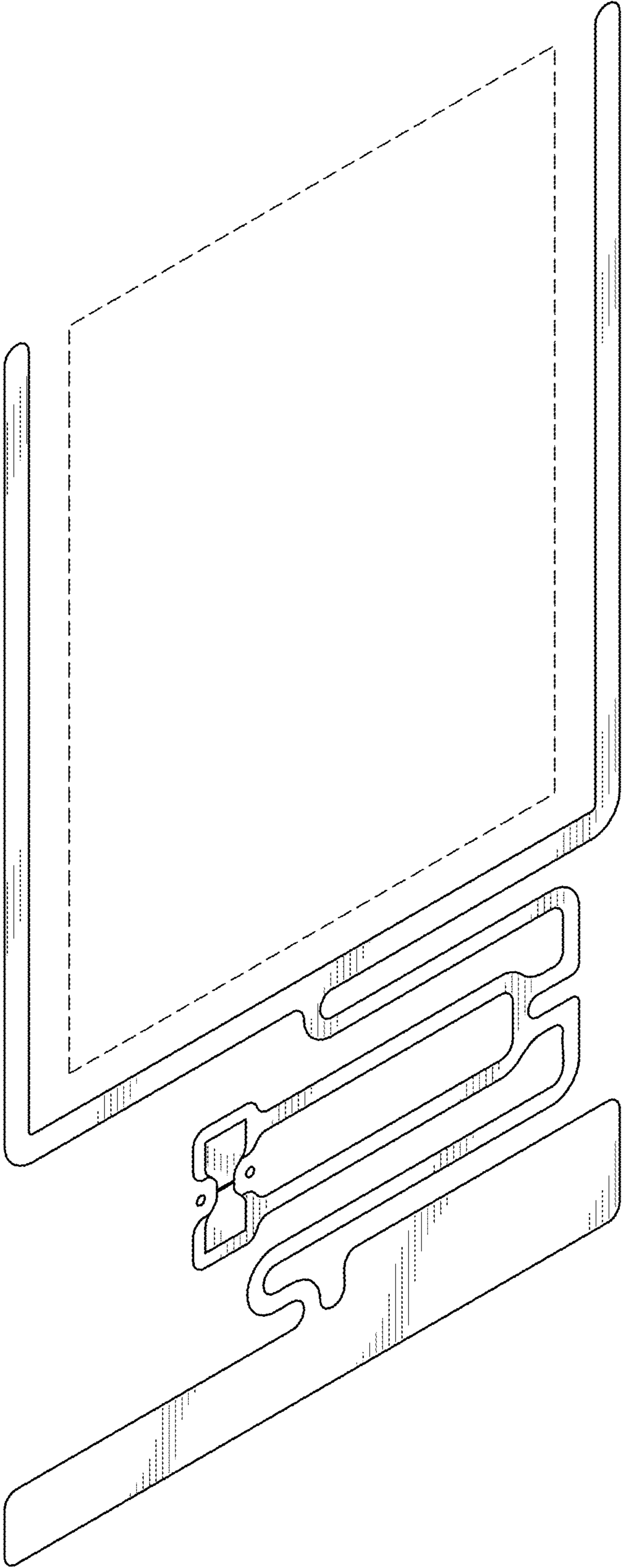


FIG. 1

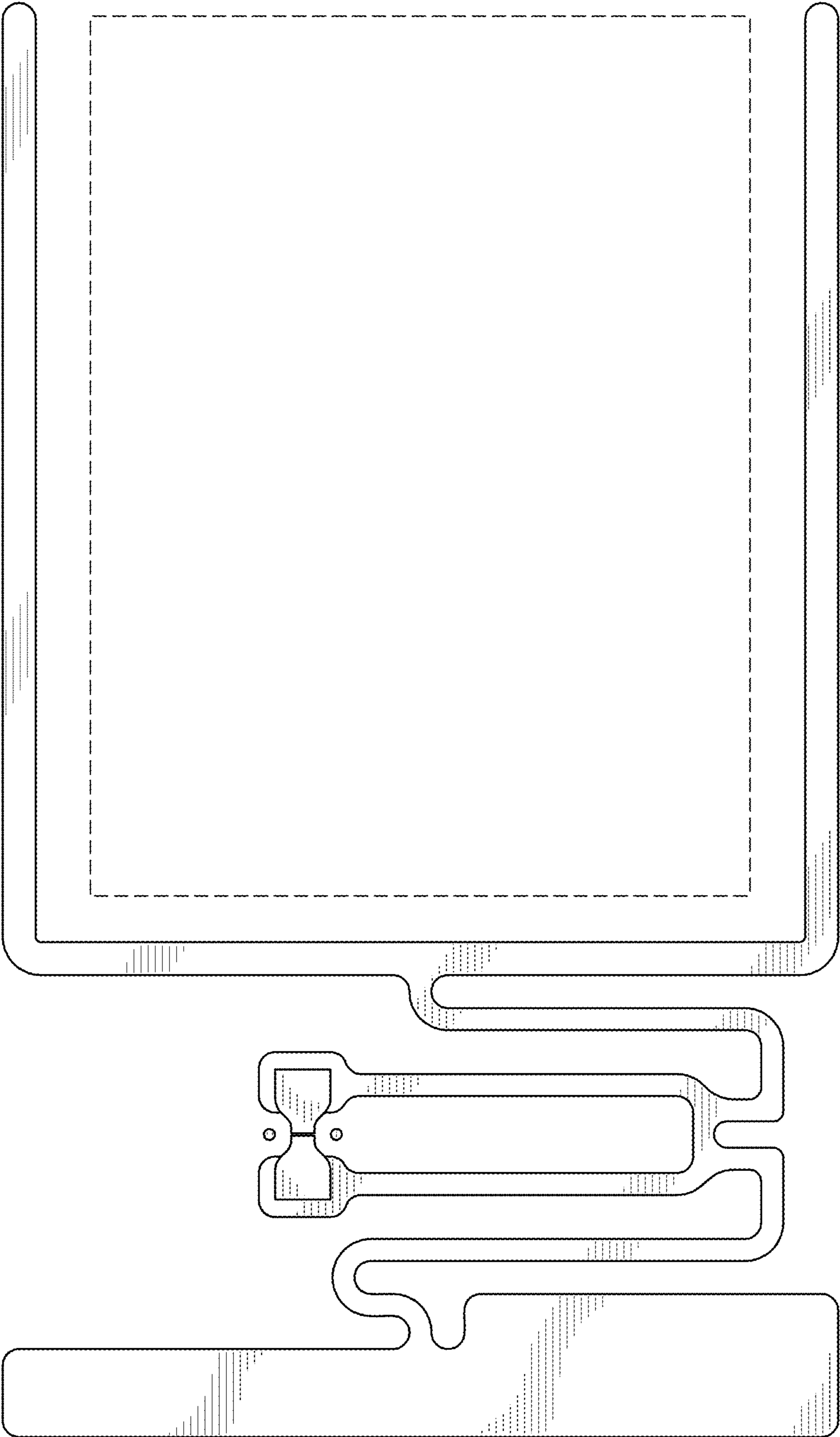


FIG. 2