



US00D926164S

(12) **United States Design Patent** (10) **Patent No.:** **US D926,164 S**
Petros (45) **Date of Patent:** **** Jul. 27, 2021**

(54) **VEHICLE ANTENNA**
(71) Applicant: **Taoglas Group Holdings Limited,**
Enniscorthy (IE)
(72) Inventor: **Argy Petros,** Parkland, FL (US)
(73) Assignee: **TAOGLAS GROUP HOLDINGS**
LIMITED, Enniscorthy (IE)
(**) Term: **15 Years**
(21) Appl. No.: **29/643,148**
(22) Filed: **Apr. 4, 2018**
(51) **LOC (13) Cl.** **14-03**
(52) **U.S. Cl.**
USPC **D14/230**
(58) **Field of Classification Search**
USPC D14/230, 232–236, 218; D10/106.5;
D21/324; D13/168; D8/300, 307, 311
CPC .. H01Q 1/24; H01Q 1/22; H01Q 1/38; H01Q
9/28; H01Q 1/12; G08B 17/02; H01H
36/00; A63F 9/24
See application file for complete search history.

D602,921 S * 10/2009 Skottke D14/230
D675,601 S * 2/2013 Huet D14/230
D678,794 S * 3/2013 Eckert D10/106.9
(Continued)

FOREIGN PATENT DOCUMENTS

CN 305115078 * 4/2019
CN 305188768 * 5/2019

OTHER PUBLICATIONS

Shark Fin Shape Car Roof FM/AM Radio Signal Antenna—Walmart.
com, website 2019, [https://www.walmart.com/ip/DC-12V-Black-Shark-Fin-Shape-Car-Roof-FM-AM-Radio-S . . .](https://www.walmart.com/ip/DC-12V-Black-Shark-Fin-Shape-Car-Roof-FM-AM-Radio-S...) site visited Sep.
29, 2019 (Year: 2019).*

Primary Examiner — John R Yeh
(74) *Attorney, Agent, or Firm* — Garson & Gutierrez, PC

(57) **CLAIM**

The ornamental design for a vehicle antenna, as shown and described.

DESCRIPTION

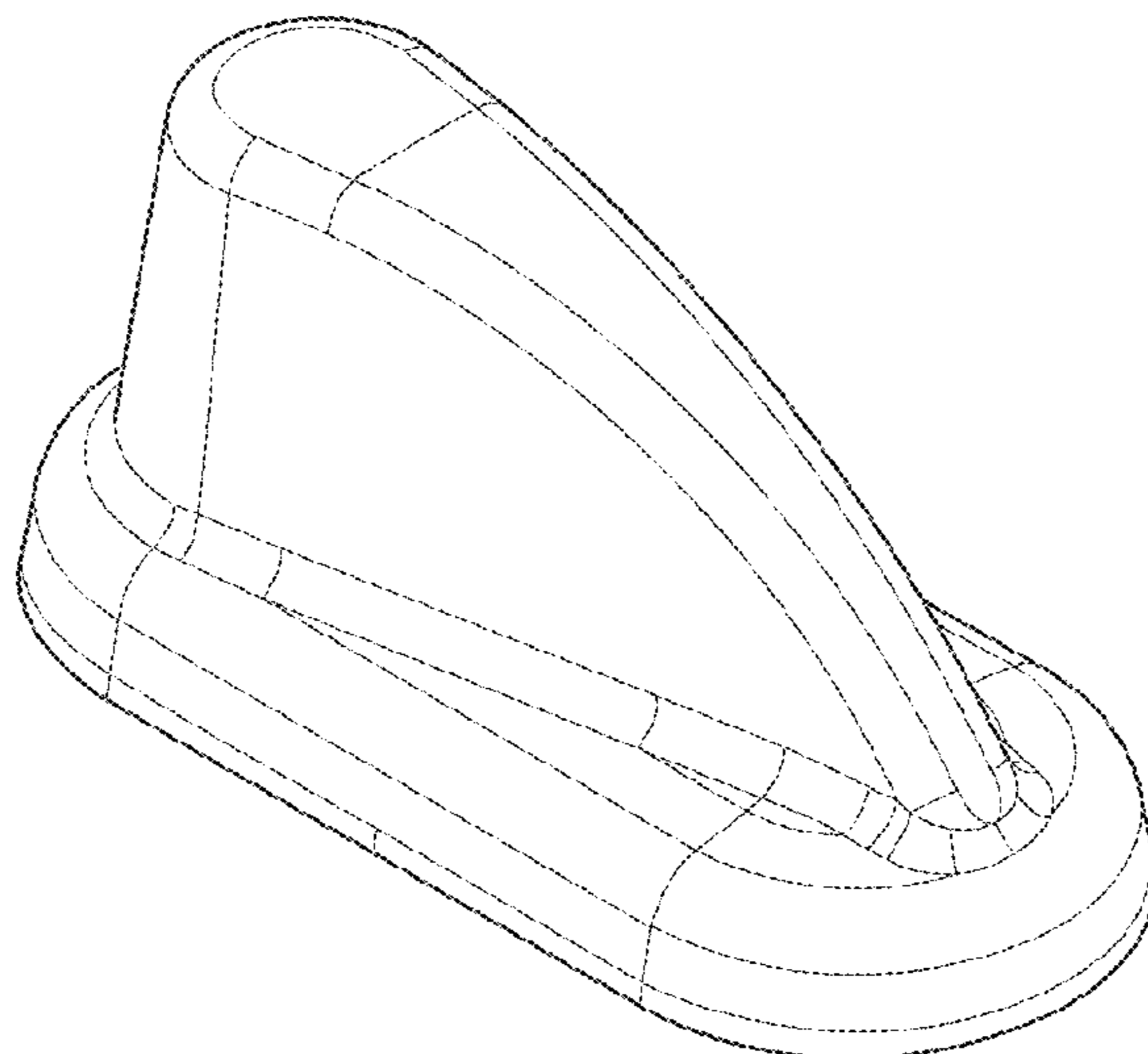
FIG. 1 is a perspective top left view of a vehicle antenna according to the present invention;
FIG. 2 is a front elevational view thereof;
FIG. 3 is a rear elevational view thereof;
FIG. 4 is a left side elevational view thereof, the right side elevation view being a mirror image thereof;
FIG. 5 is a top plan view thereof; and,
FIG. 6 is a left side elevational view showing the vehicle antenna in use, mounted on a roof of a vehicle.
The right side elevational view of the vehicle antenna is a mirror image of the left side elevational view thereof. The bottom of the vehicle antenna is flat and planar.
The broken lines shown in FIG. 6 illustrate environmental subject matter only, such as a roof of a vehicle, and form no part of the claimed design.

1 Claim, 3 Drawing Sheets

(56) **References Cited**

U.S. PATENT DOCUMENTS

D141,840 S * 7/1945 Stewart D8/307
D183,175 S * 7/1958 Monaco D8/300
D461,796 S * 8/2002 Boyer D14/230
D462,886 S * 9/2002 Becker D8/306
D465,480 S * 11/2002 Boyer D14/230
6,879,294 B2 * 4/2005 Yuanzhu H01Q 1/12
343/713
D551,220 S * 9/2007 Noro D14/230
D565,534 S * 4/2008 Ingalsbe D14/155
D581,403 S * 11/2008 Zwingmann D14/230
D581,909 S * 12/2008 Jeong D14/230
7,492,318 B2 * 2/2009 Duzdar H01Q 1/3275
343/711
D595,274 S * 6/2009 Skottke D14/230
D595,275 S * 6/2009 Skottke D14/230
D595,699 S * 7/2009 Skottke D14/230



(56)

References Cited

U.S. PATENT DOCUMENTS

D681,018 S * 4/2013 Hakamata D14/230
D703,638 S * 4/2014 Ueno D14/230
8,947,307 B2 * 2/2015 Lo H01Q 1/3275
343/711
D730,879 S * 6/2015 Kato D14/230
D773,917 S * 12/2016 Shoemaker D8/311
D794,615 S * 8/2017 Quinlan D14/230
9,825,354 B2 * 11/2017 Hu H01Q 1/241
10,074,895 B2 * 9/2018 Sugimoto H01Q 1/42
2006/0227057 A1 * 10/2006 Lu H01Q 1/3275
343/713
2011/0221640 A1 * 9/2011 Huber H01Q 1/1214
343/713
2012/0001811 A1 * 1/2012 Yoo H01Q 1/3275
343/713

* cited by examiner

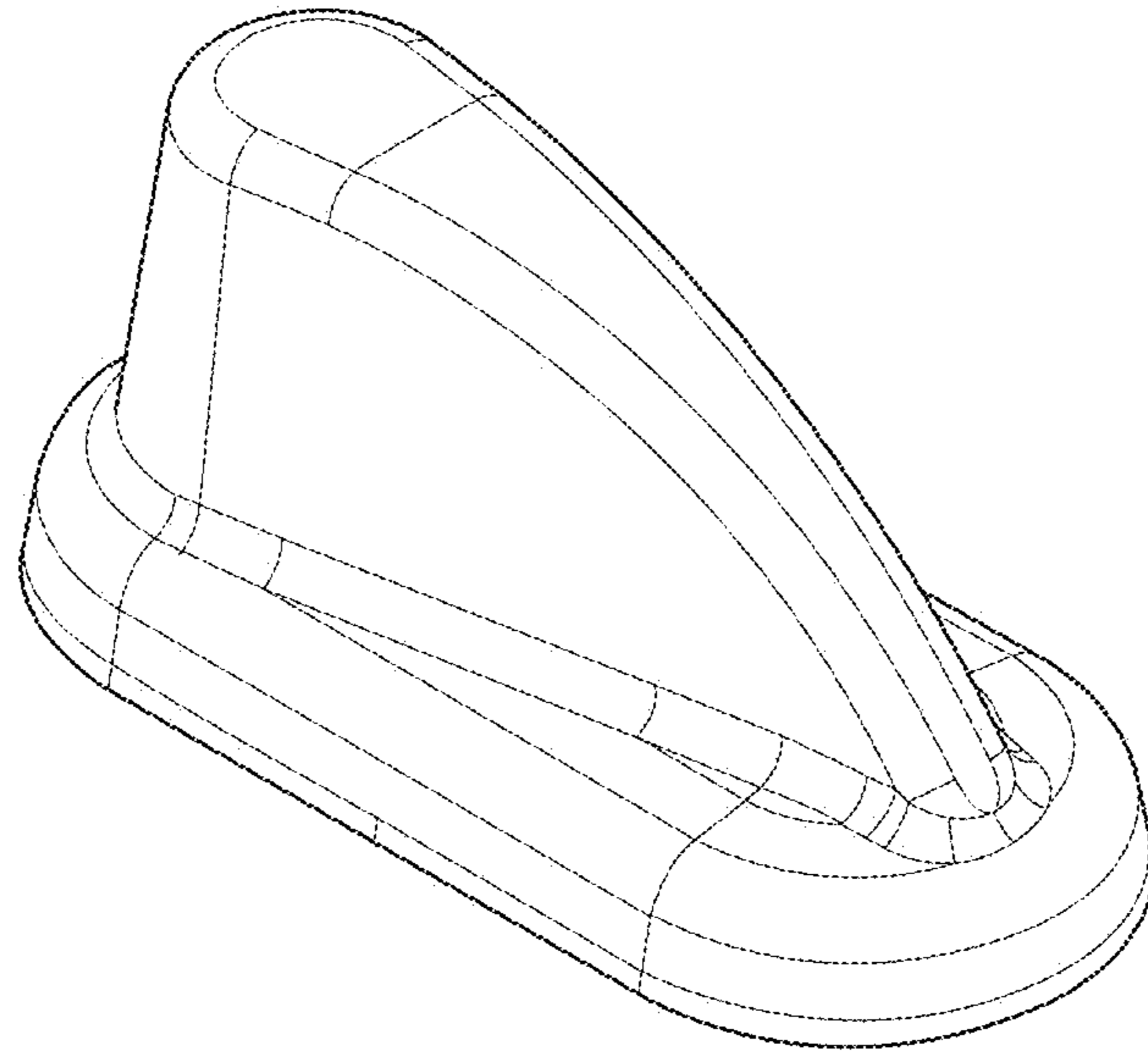


FIG. 1

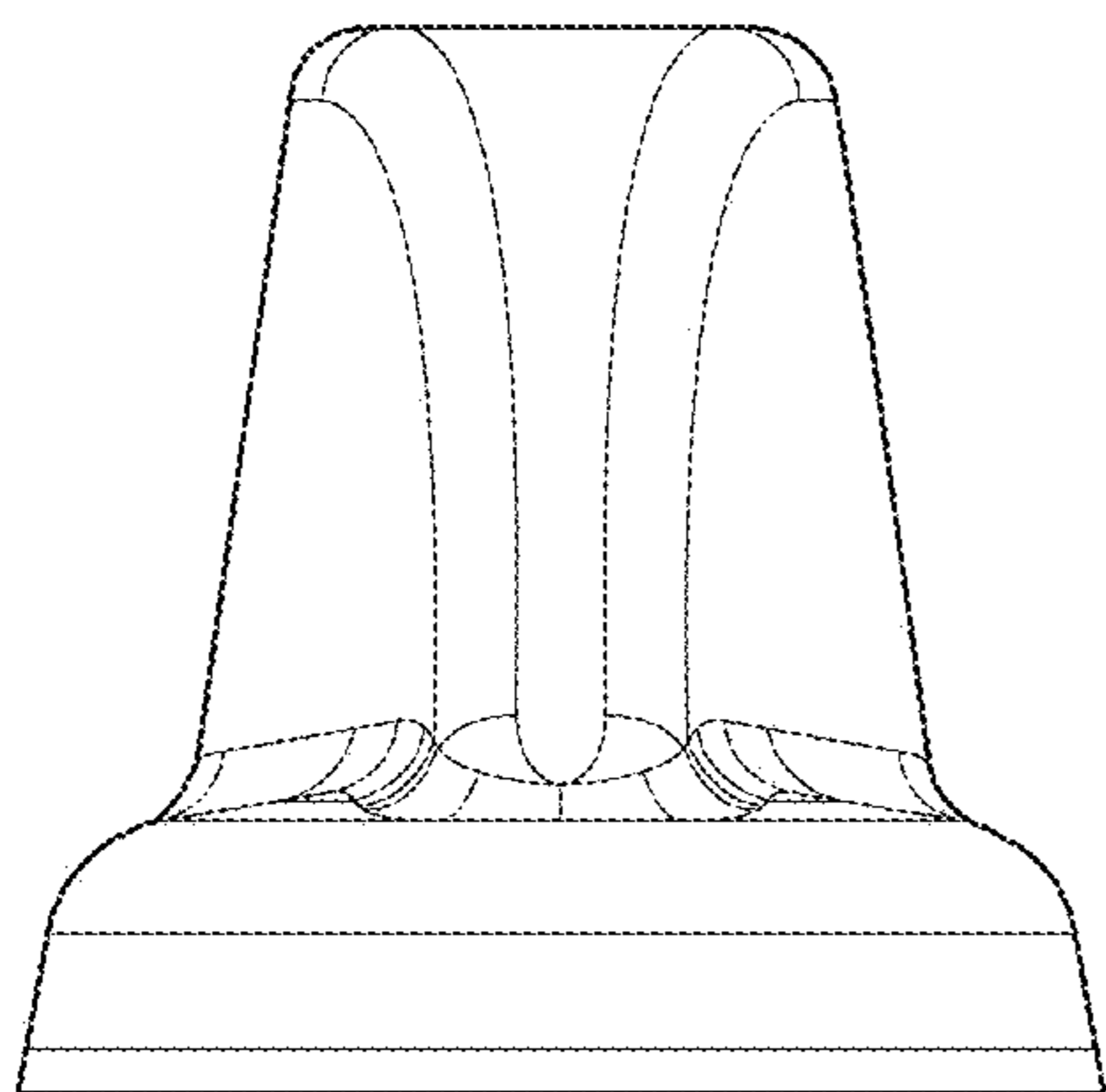


FIG. 2

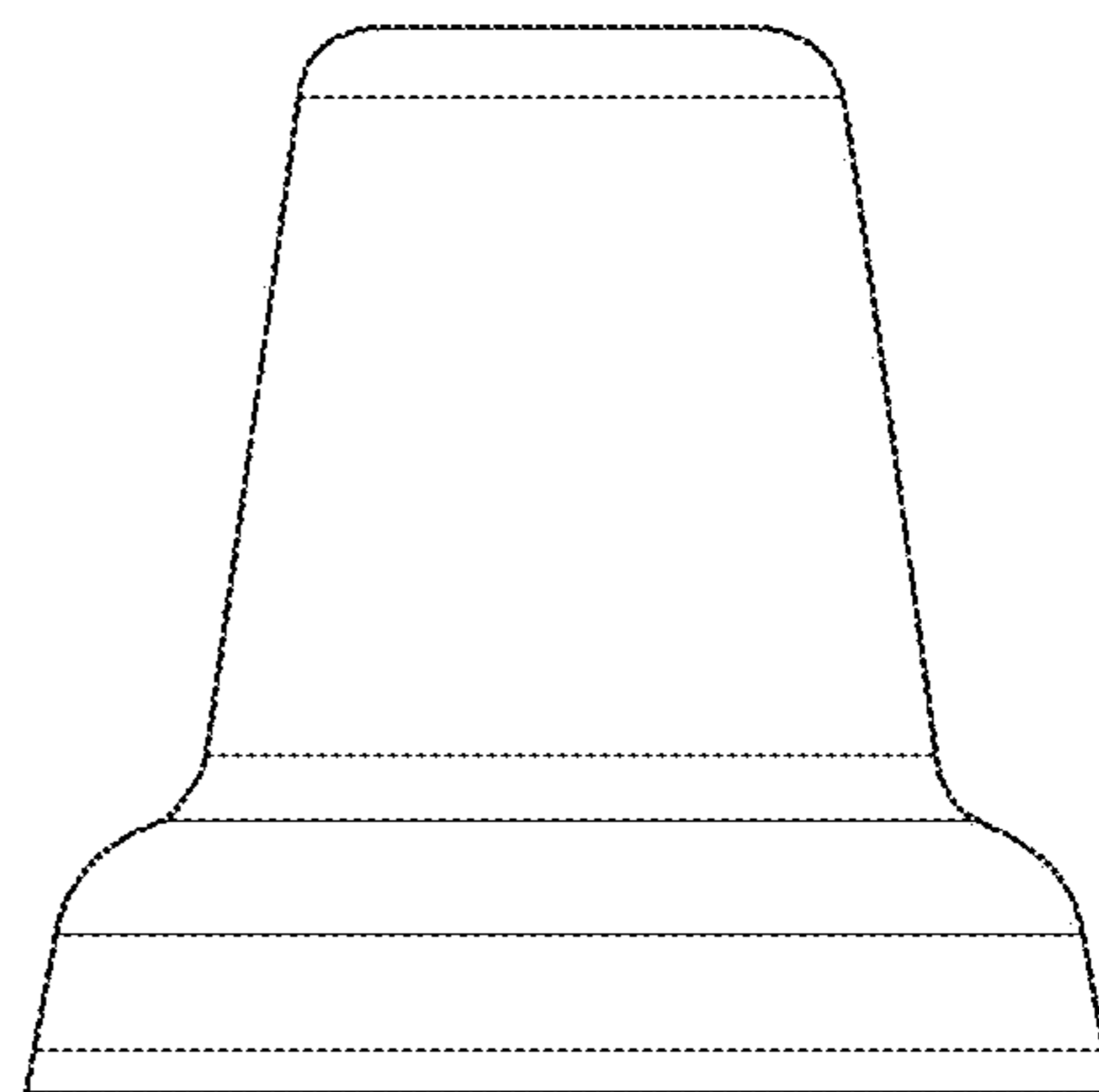


FIG. 3

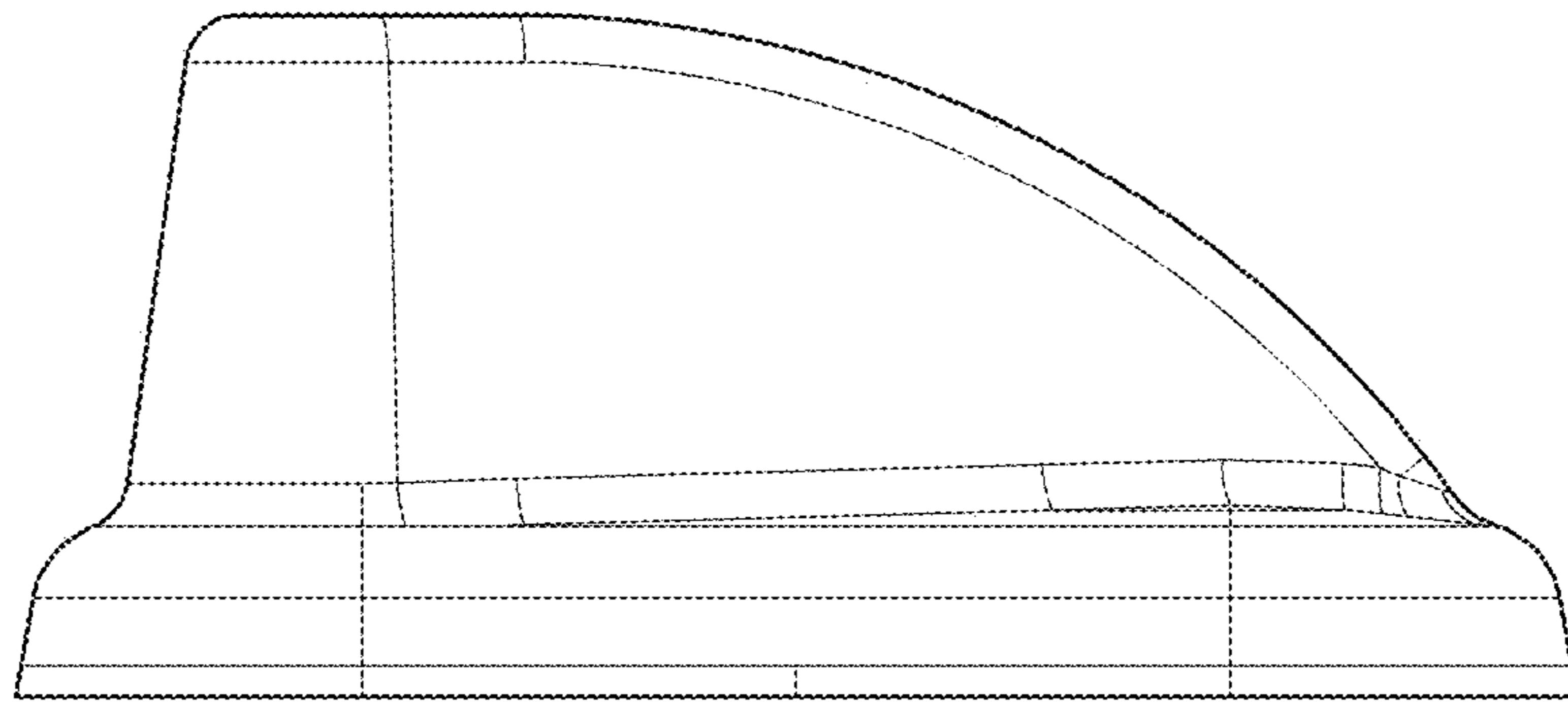


FIG. 4

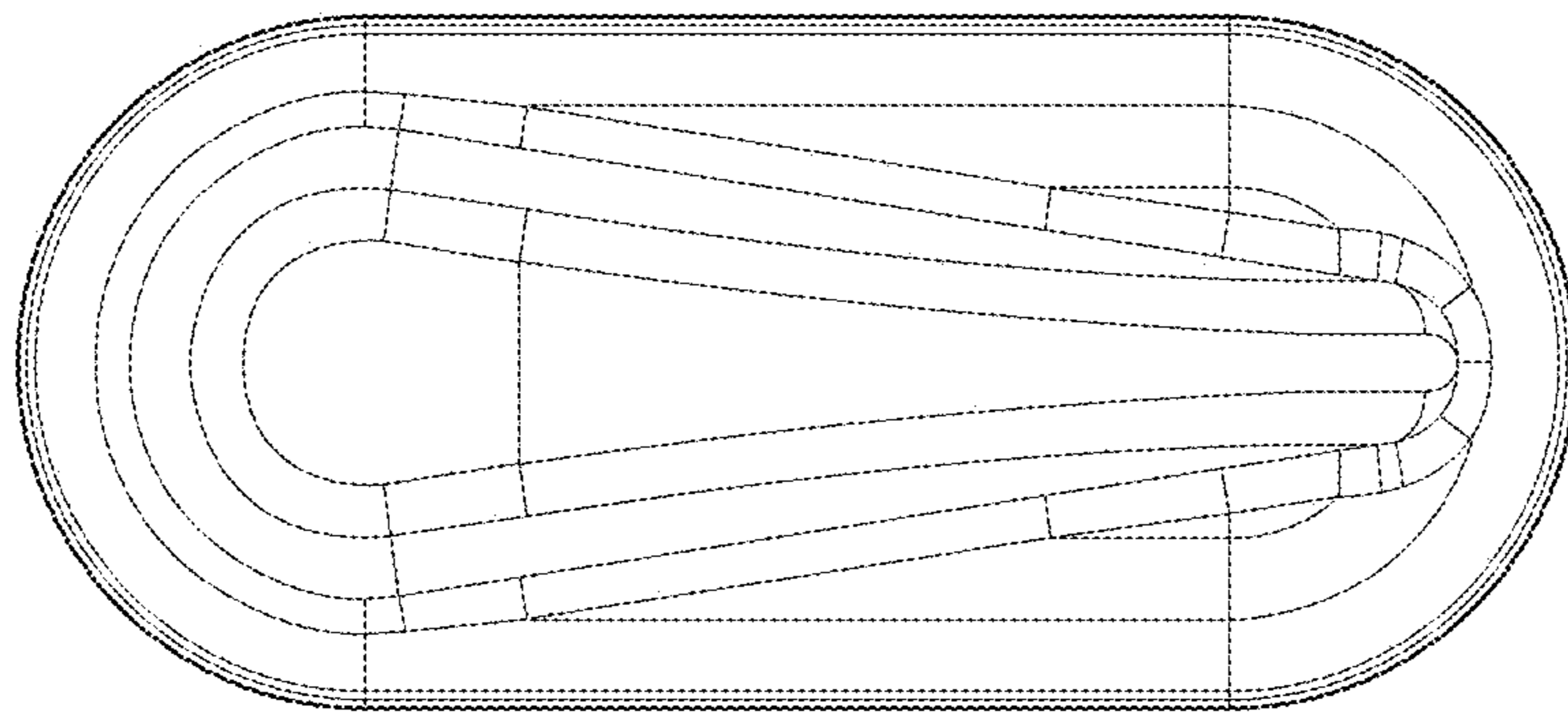


FIG. 5

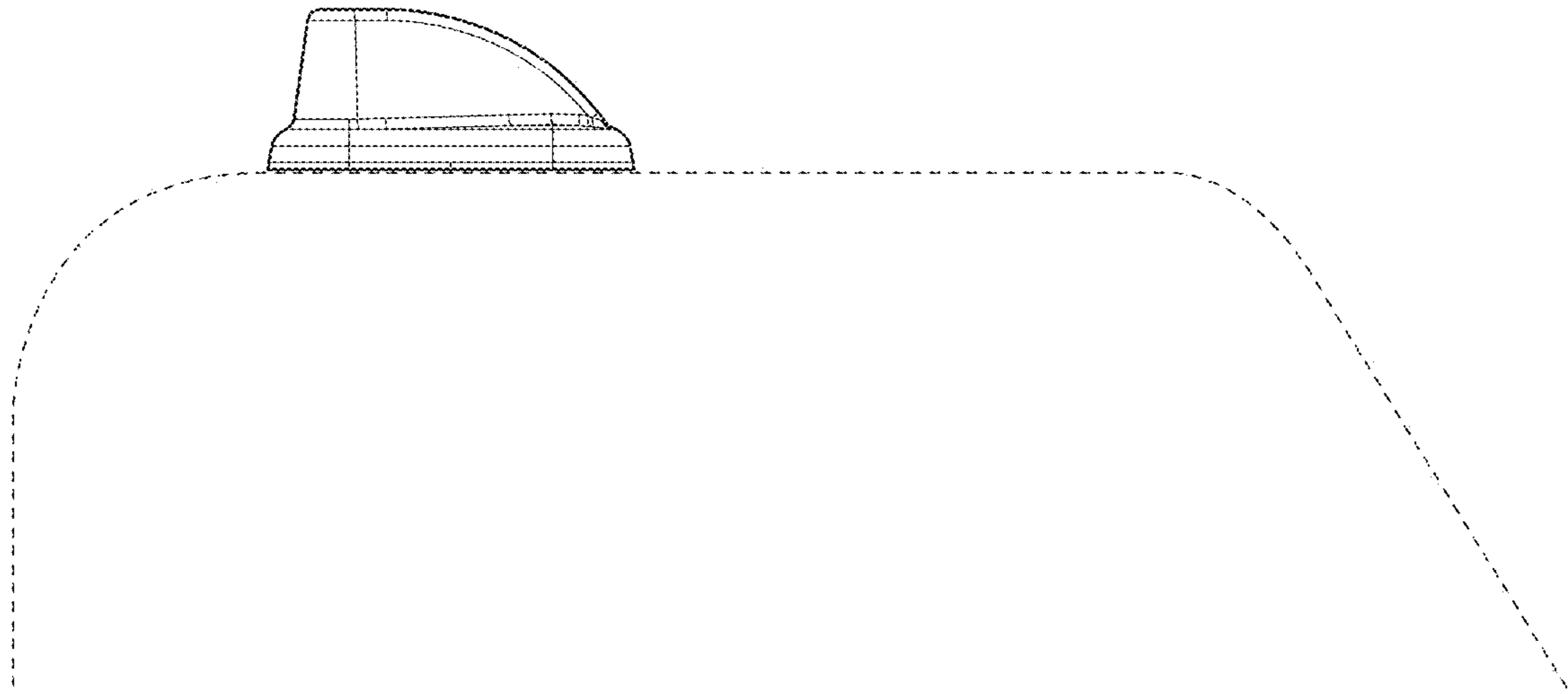


FIG. 6