



US00D926163S

(12) **United States Design Patent** (10) **Patent No.:** **US D926,163 S**
Williamson et al. (45) **Date of Patent:** **** Jul. 27, 2021**

(54) **EARBUD**
(71) Applicant: **Bose Corporation**, Framingham, MA (US)
(72) Inventors: **Paul C. Williamson**, Worcester, MA (US); **Jingwei Dang**, Auburn, MA (US); **Kenneth D. Gagnon**, Westminister, MA (US); **Thomas Nilsen**, Auburn, MA (US)
(73) Assignee: **Bose Corporation**, Framingham, MA (US)

D207,206 S * 3/1967 Geib D24/174
D207,212 S * 3/1967 Geib D24/174
D209,291 S * 11/1967 Geib D24/174
D213,109 S * 1/1969 Young D24/174
D215,675 S * 10/1969 Yran D14/195
D236,988 S * 9/1975 Walters D14/223
4,608,882 A * 9/1986 Howie, Jr. B23P 11/00
74/548
D287,280 S * 12/1986 Topholm D24/174
D287,764 S * 1/1987 Topholm D24/174
D287,765 S * 1/1987 Topholm D24/174
D295,173 S * 4/1988 Oren D14/168

(Continued)

(**) Term: **15 Years**
(21) Appl. No.: **29/759,635**
(22) Filed: **Nov. 24, 2020**

FOREIGN PATENT DOCUMENTS

CN 305973130 * 12/2018
CN 305973131 * 12/2018

Primary Examiner — Paula Allen Greene

Related U.S. Application Data

(62) Division of application No. 29/674,536, filed on Dec. 21, 2018, now Pat. No. Des. 906,293.
(51) **LOC (13) Cl.** **14-01**
(52) **U.S. Cl.**
USPC **D14/223**
(58) **Field of Classification Search**
USPC D14/223, 205; D24/174; 128/864, 865, 128/866; D11/46, 47, 80, 222; D8/310; 16/110.1; 40/1.5; 63/20; 24/113 R; 381/380, 381, 328, 330, 311, 322; 455/90.3, 575.1, 569.1
CPC H04R 1/10; H04R 25/00; H04R 25/02; H04R 1/1066; H04R 1/1016; H04R 1/1058; H04R 1/105; H04R 5/02
See application file for complete search history.

(57) **CLAIM**

The ornamental design for earbud, substantially as shown and described.

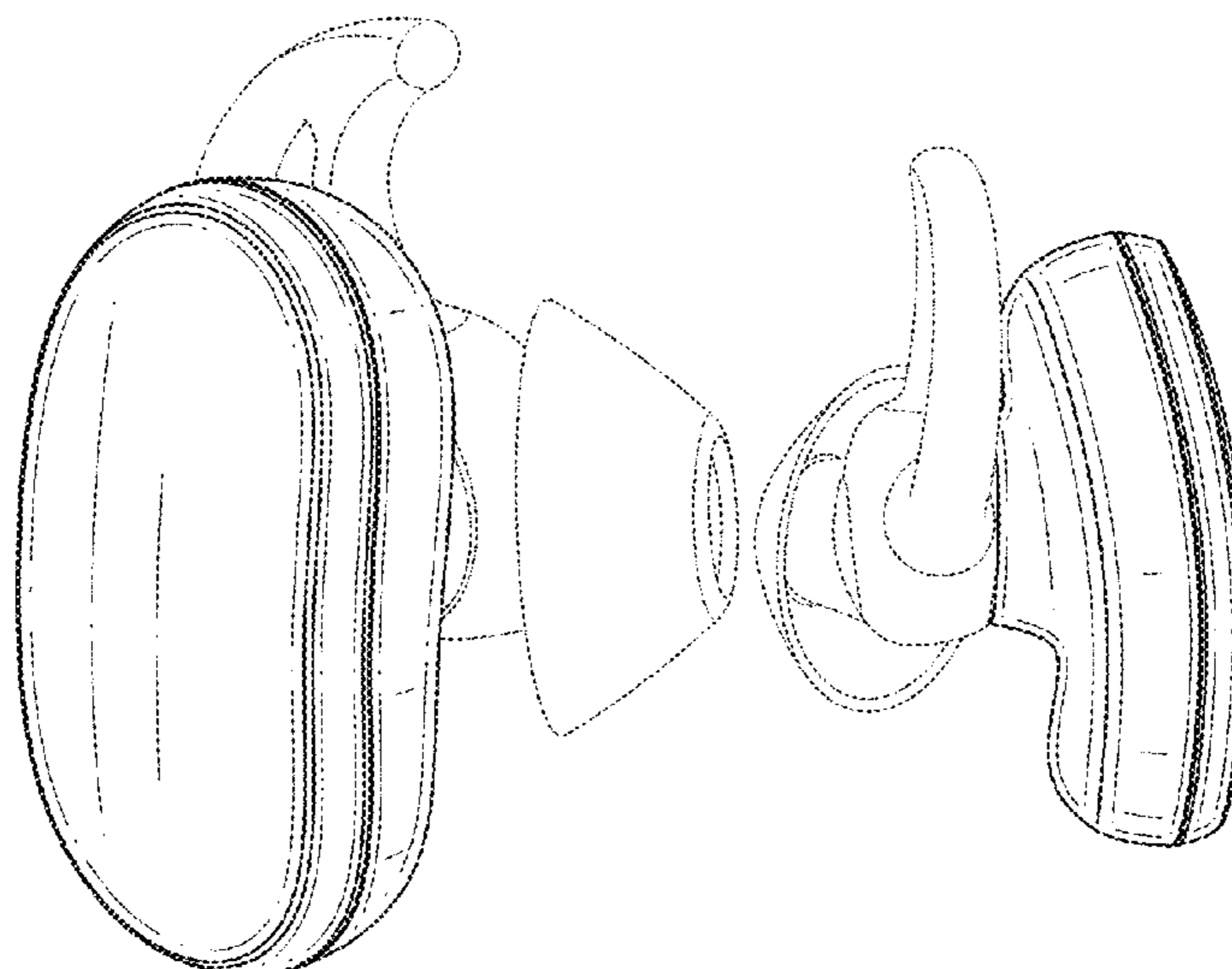
DESCRIPTION

FIG. 1 is a front perspective view of an earbud showing our new design for the right ear, the earbud for the left ear is a mirror image;
FIG. 2 is a rear perspective view thereof;
FIG. 3 is a left side view thereof;
FIG. 4 is a front view thereof;
FIG. 5 is a right side view thereof;
FIG. 6 is a rear view thereof;
FIG. 7 is a top view thereof; and,
FIG. 8 is a bottom view thereof.
The dotted line portions of the drawings represent environmental structure only and do not form part of the claimed design.

(56) **References Cited**
U.S. PATENT DOCUMENTS

2,340,402 A * 2/1944 Mitchel A44C 3/001
40/1.5
2,341,467 A * 2/1944 Nedell G09F 3/207
40/1.5

1 Claim, 3 Drawing Sheets



(56)

References Cited

U.S. PATENT DOCUMENTS

D321,881 S * 11/1991 Hopewell D14/192
 D481,709 S * 11/2003 Solderits D14/223
 D505,411 S * 5/2005 Sakai D14/192
 D519,108 S * 4/2006 Yang D14/223
 D554,756 S * 11/2007 Sjursen D24/174
 D575,277 S * 8/2008 Gaarde D14/205
 D579,006 S * 10/2008 Kim D14/223
 D588,111 S * 3/2009 Komiyama D14/223
 D603,380 S * 11/2009 Hutchieson D14/223
 D631,470 S * 1/2011 Yoneyama D14/223
 D637,997 S * 5/2011 Peller D14/205
 D637,999 S * 5/2011 Brunner D14/205
 D652,817 S * 1/2012 Lee D14/205
 D652,822 S * 1/2012 Lee D14/223
 D654,056 S * 2/2012 Hoggarth D14/223
 D666,581 S * 9/2012 Perez D14/223
 D699,226 S * 2/2014 Yoon D14/223
 D711,356 S * 8/2014 Yang D14/223
 D725,082 S * 3/2015 Palmborg D14/223
 8,983,108 B2 * 3/2015 Ho H04R 1/1016
 381/380
 D733,102 S * 6/2015 Palmborg D14/223
 D735,169 S * 7/2015 Shieh D14/223
 D742,861 S * 11/2015 Miyake D14/223
 D764,445 S * 8/2016 Czaniecki D14/223

D777,710 S * 1/2017 Palmborg D14/223
 D781,269 S * 3/2017 Choe D14/223
 D782,997 S * 4/2017 Shin D14/205
 D782,998 S * 4/2017 Shin D14/205
 D789,909 S * 6/2017 Hung D14/223
 D795,225 S * 8/2017 Sumii D14/223
 D798,843 S * 10/2017 Valenzuela D14/223
 D801,950 S * 11/2017 Otani D14/223
 D817,309 S * 5/2018 Czaniecki D14/223
 D818,989 S * 5/2018 Silva D14/205
 D822,646 S * 7/2018 Dang D14/223
 D877,721 S * 3/2020 Jung D14/223
 D889,441 S * 7/2020 Lin D14/223
 D892,085 S * 8/2020 Kim D14/223
 D896,781 S * 9/2020 Reimann D14/205
 D902,890 S * 11/2020 Williamson D14/223
 D904,349 S * 12/2020 Saxton D14/223
 D906,293 S * 12/2020 Williamson D14/223
 D912,647 S * 3/2021 Williamson D14/223
 D912,648 S * 3/2021 Williamson D14/223
 2011/0293130 A1 * 12/2011 Huang H04R 1/1016
 381/380
 2013/0034259 A1 * 2/2013 Xiong H04R 1/1058
 381/380
 2017/0026738 A1 * 1/2017 Tang H04R 1/1091
 2020/0037058 A1 * 1/2020 Ueda G06F 3/017
 2021/0006890 A1 * 1/2021 Zhang H04R 1/1066

* cited by examiner

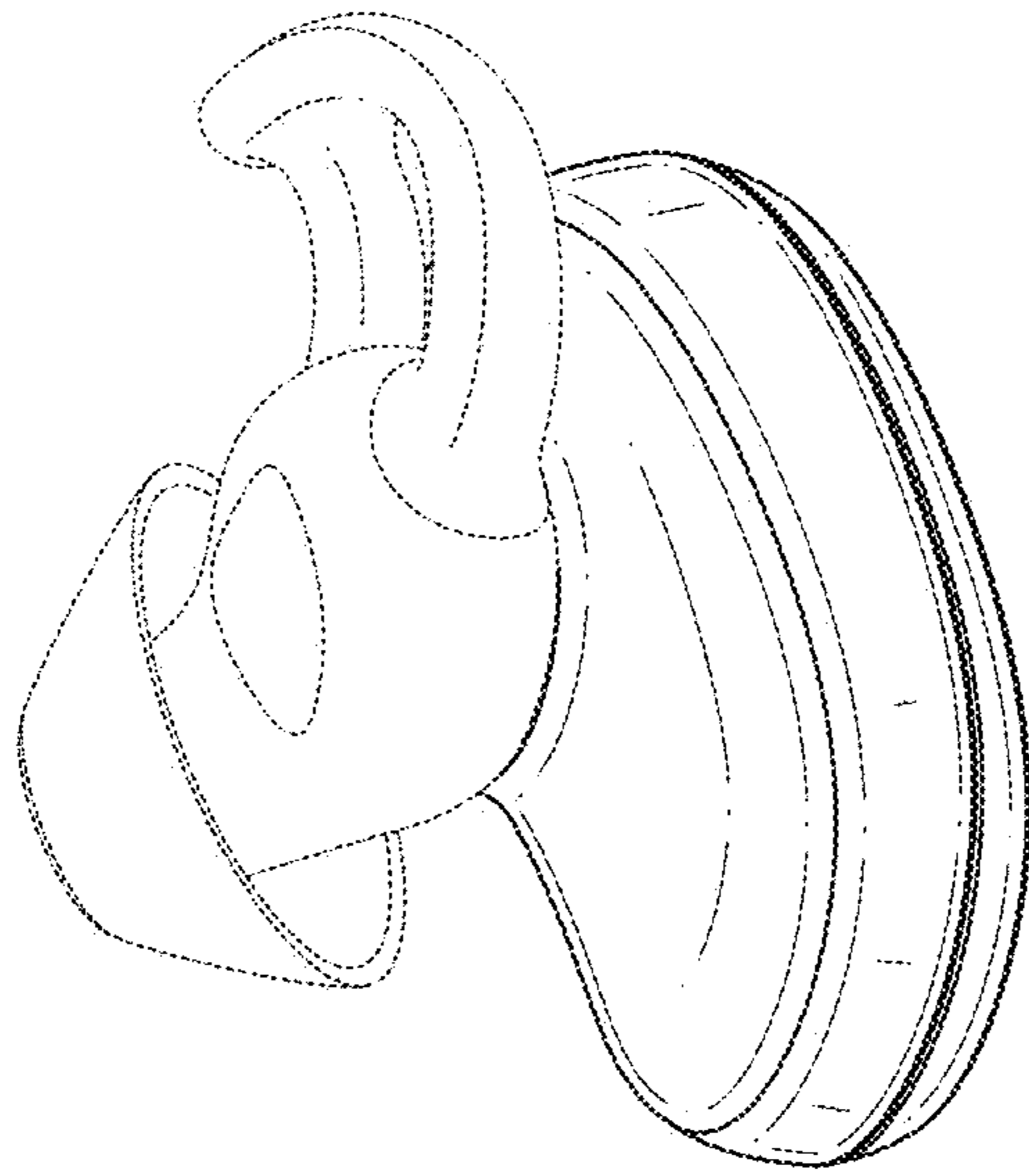


FIG. 1

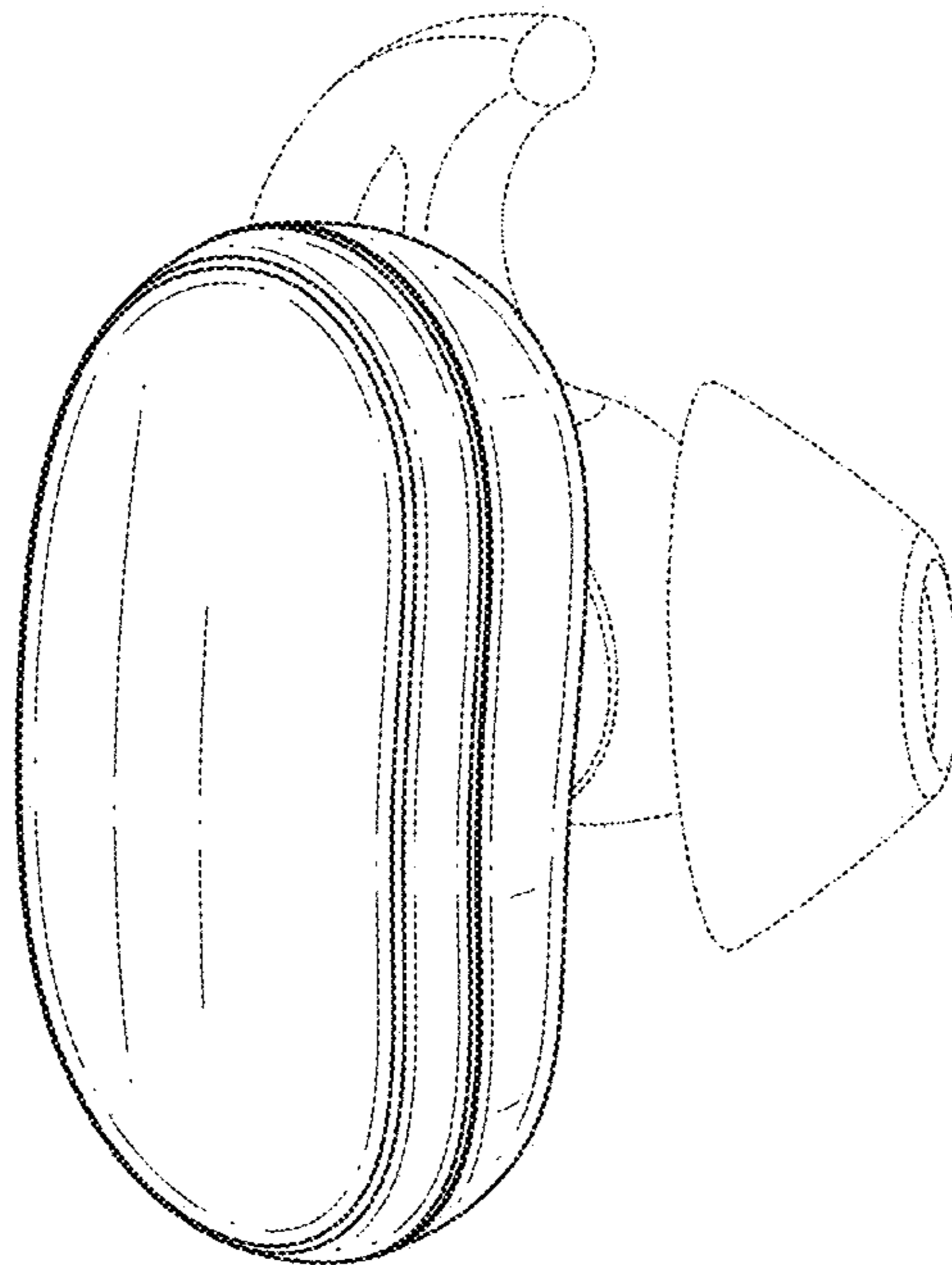


FIG. 2

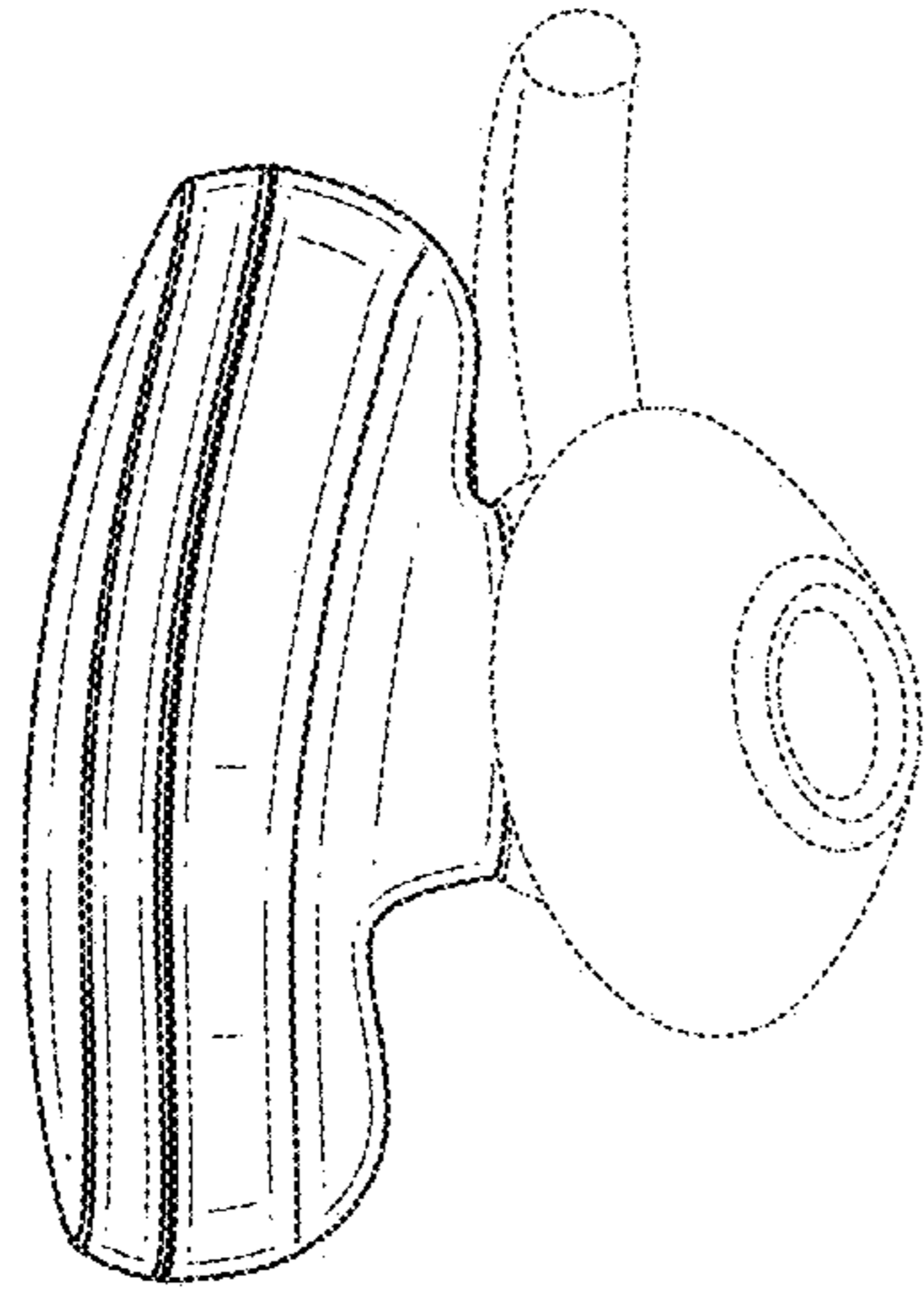


FIG. 3

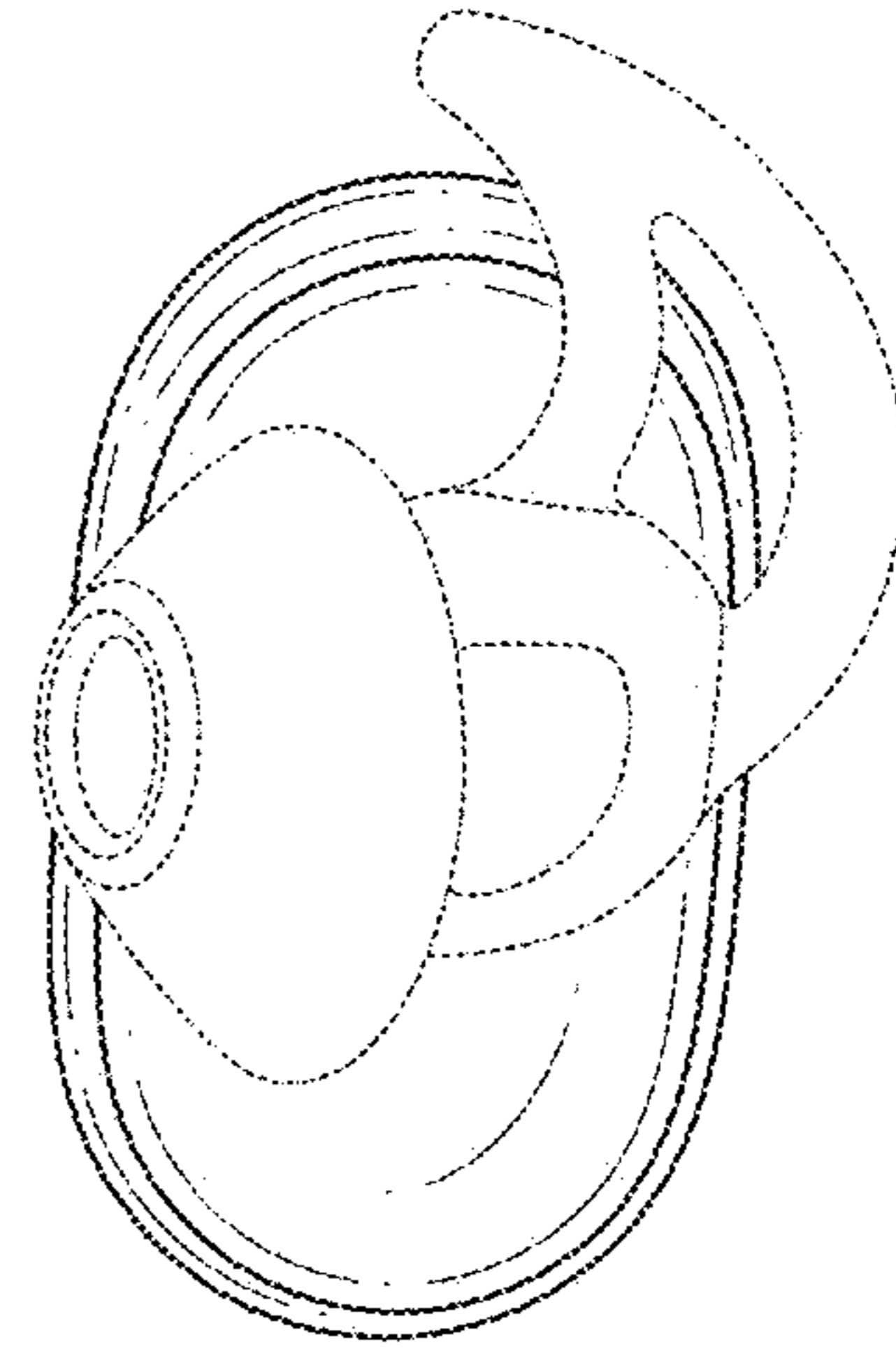


FIG. 4

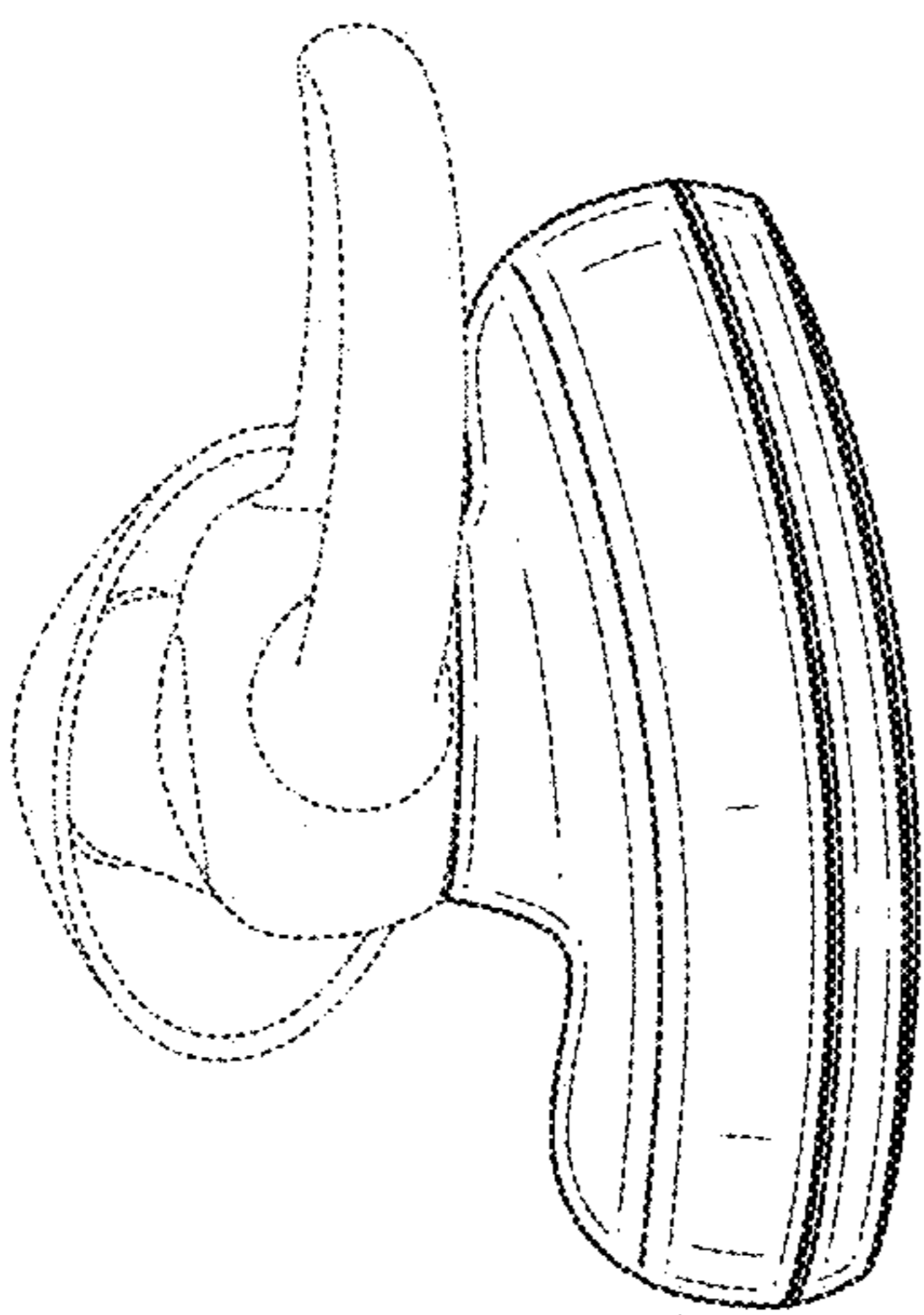


FIG. 5

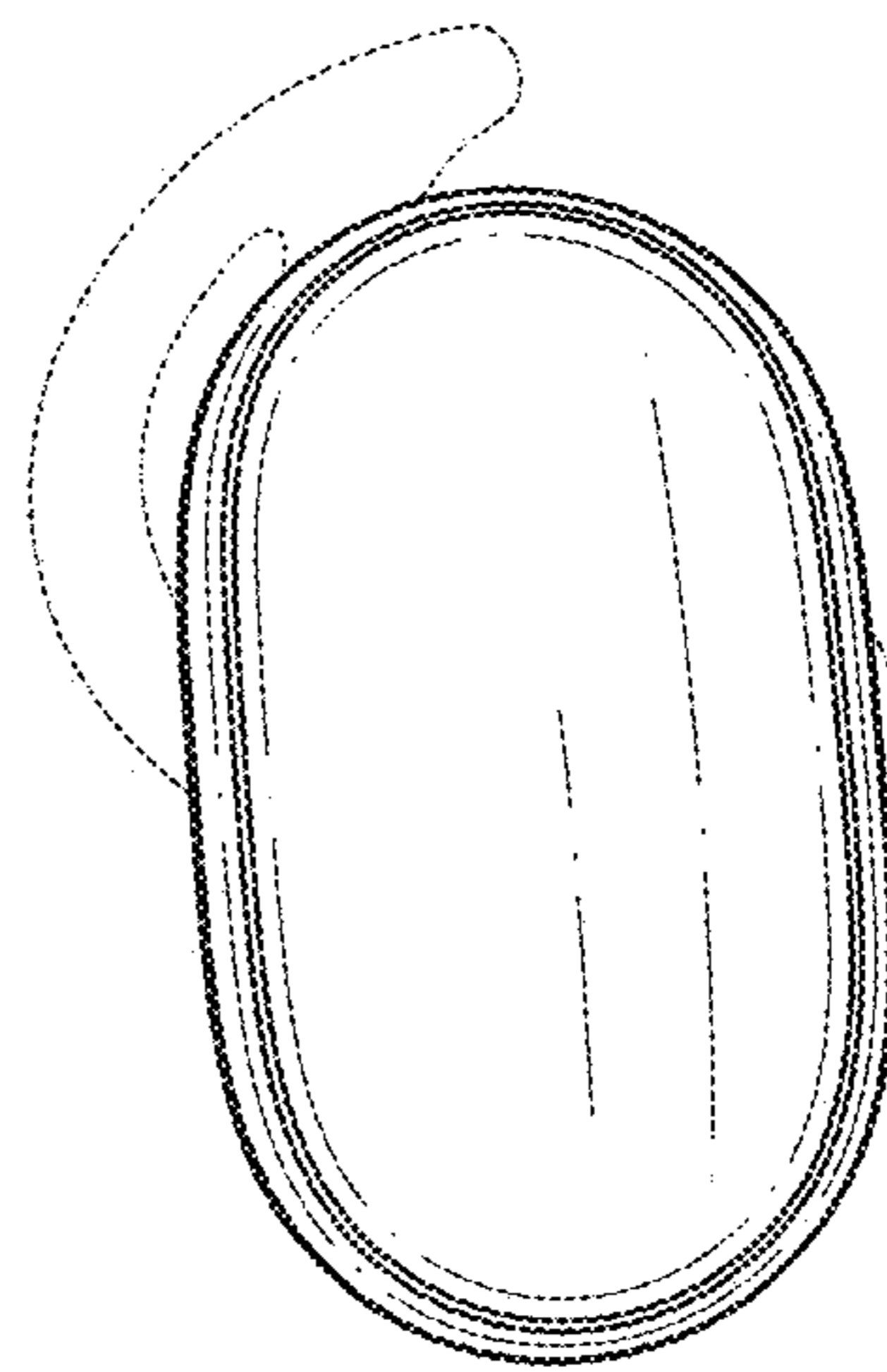


FIG. 6

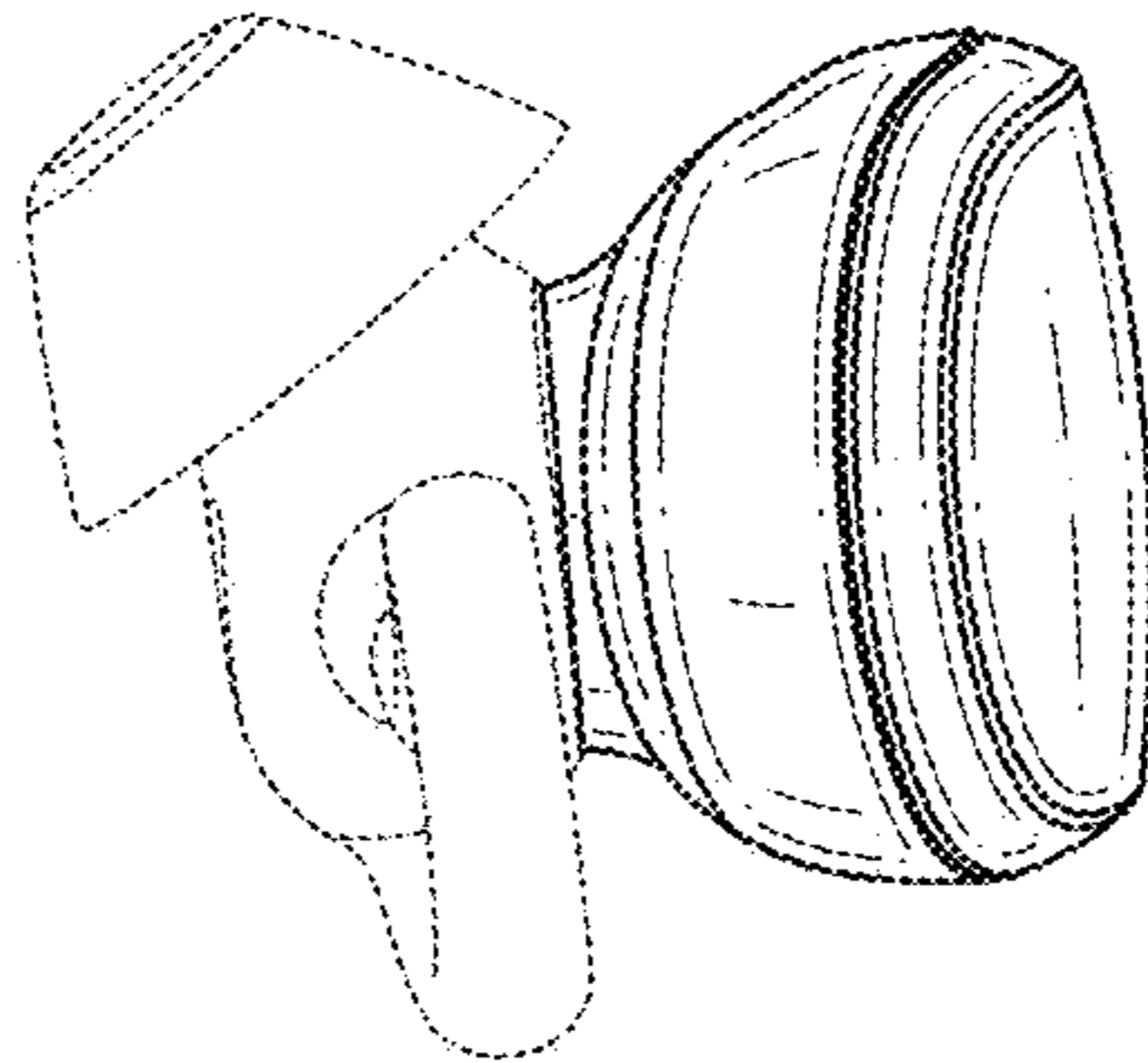


FIG. 7

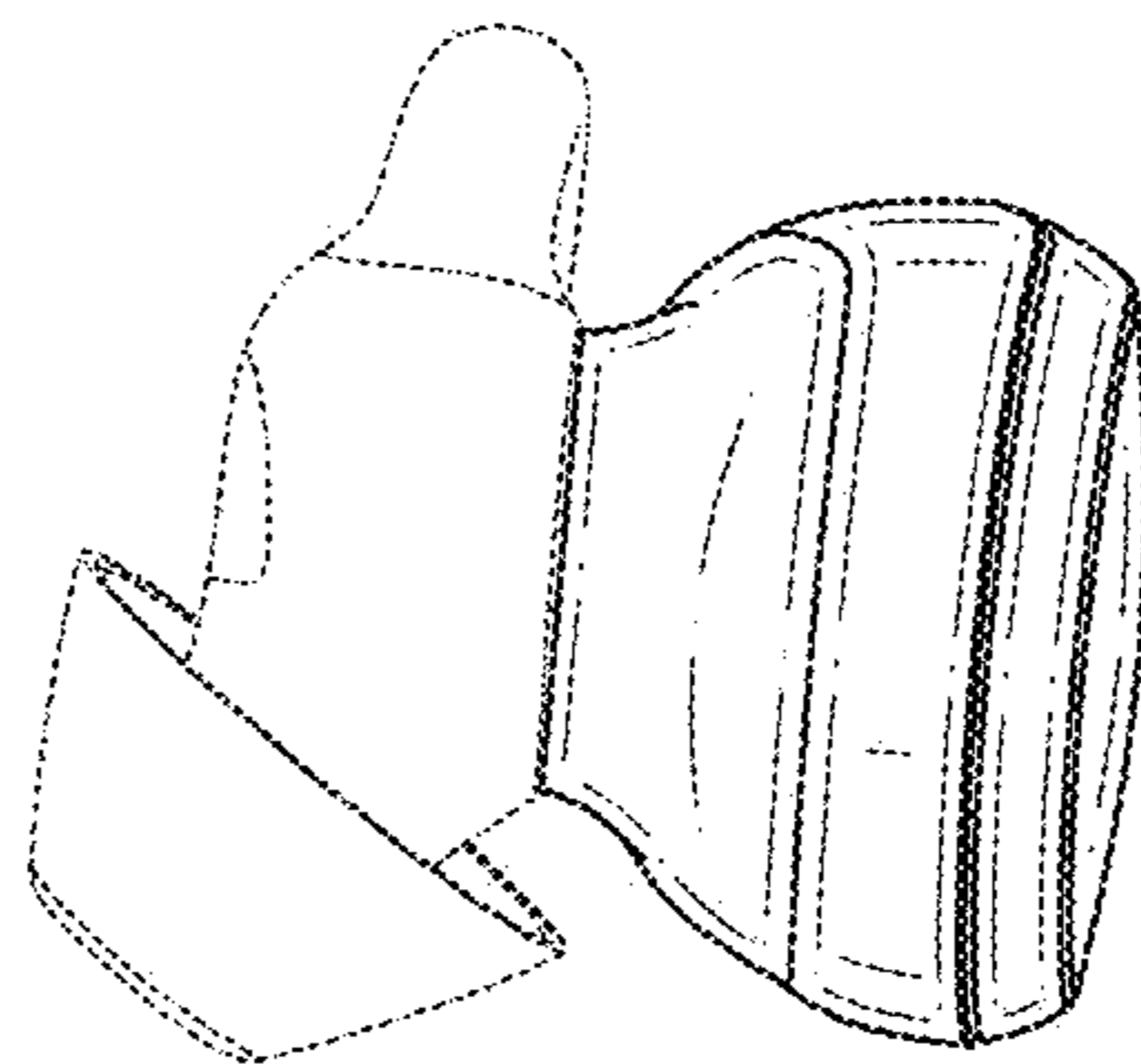


FIG. 8