



US00D926161S

(12) **United States Design Patent**
Chen

(10) **Patent No.:** **US D926,161 S**

(45) **Date of Patent:** **** Jul. 27, 2021**

(54) **WIRELESS EARPHONE**

(71) Applicant: **Xinying Chen**, Shantou (CN)

(72) Inventor: **Xinying Chen**, Shantou (CN)

(**) Term: **15 Years**

(21) Appl. No.: **29/752,591**

(22) Filed: **Sep. 28, 2020**

(51) **LOC (13) Cl.** **14-01**

(52) **U.S. Cl.**
USPC **D14/223**

(58) **Field of Classification Search**
USPC D14/223, 205; D24/174; 128/864, 865,
128/866; 381/380, 381, 328, 330, 322;
D5/53; D6/583; D25/109, 139, 140;
455/90.3, 575.1, 569.1
CPC H04R 1/10; H04R 25/00; H04R 25/02;
H04R 1/1066; H04R 1/1016; H04R
5/033; H04R 5/0335; H04R 1/105; H04R
1/1083; H04R 1/1091

See application file for complete search history.

(56) **References Cited**

U.S. PATENT DOCUMENTS

D48,172 S * 11/1915 Dun Lany D25/139
D179,150 S * 11/1956 Norris D14/192
D182,349 S * 3/1958 Alvoyrd D5/1
D191,435 S * 10/1961 Kantor D6/583
D321,881 S * 11/1991 Hopewell D14/192
D413,731 S * 9/1999 Hannington D5/61
D419,781 S * 2/2000 Pratt D5/53
D426,959 S * 6/2000 Jahner D5/53
D428,709 S * 8/2000 Jahner D5/53
D443,261 S * 6/2001 Yuyama D14/223
D470,129 S * 2/2003 Hlas D14/205
D481,709 S * 11/2003 Solderits D14/223
6,772,853 B2 * 8/2004 Yang H04R 1/1066
181/129
D501,196 S * 1/2005 Dyer D14/205

D505,411 S * 5/2005 Sakai D14/192
D506,462 S * 6/2005 Han D14/205
D508,911 S * 8/2005 Sanders D14/223
D510,085 S * 9/2005 Suzuki D14/223
7,050,598 B1 * 5/2006 Ham H04R 1/105
381/330
D542,282 S * 5/2007 Yoshiyama D14/223
D543,968 S * 6/2007 Wong D14/205
7,346,180 B2 * 3/2008 Ham H04R 1/105
381/370
7,356,362 B2 * 4/2008 Chang H04R 1/1033
379/430
D575,772 S * 8/2008 Schultz D14/206
D584,283 S * 1/2009 Soetejo D14/205
D588,111 S * 3/2009 Komiyama D14/223

(Continued)

FOREIGN PATENT DOCUMENTS

CN 306284612 * 1/2021
CN 306550354 * 5/2021
JP D1679091 * 1/2021

Primary Examiner — Paula Allen Greene

(74) *Attorney, Agent, or Firm* — Justin Lampel

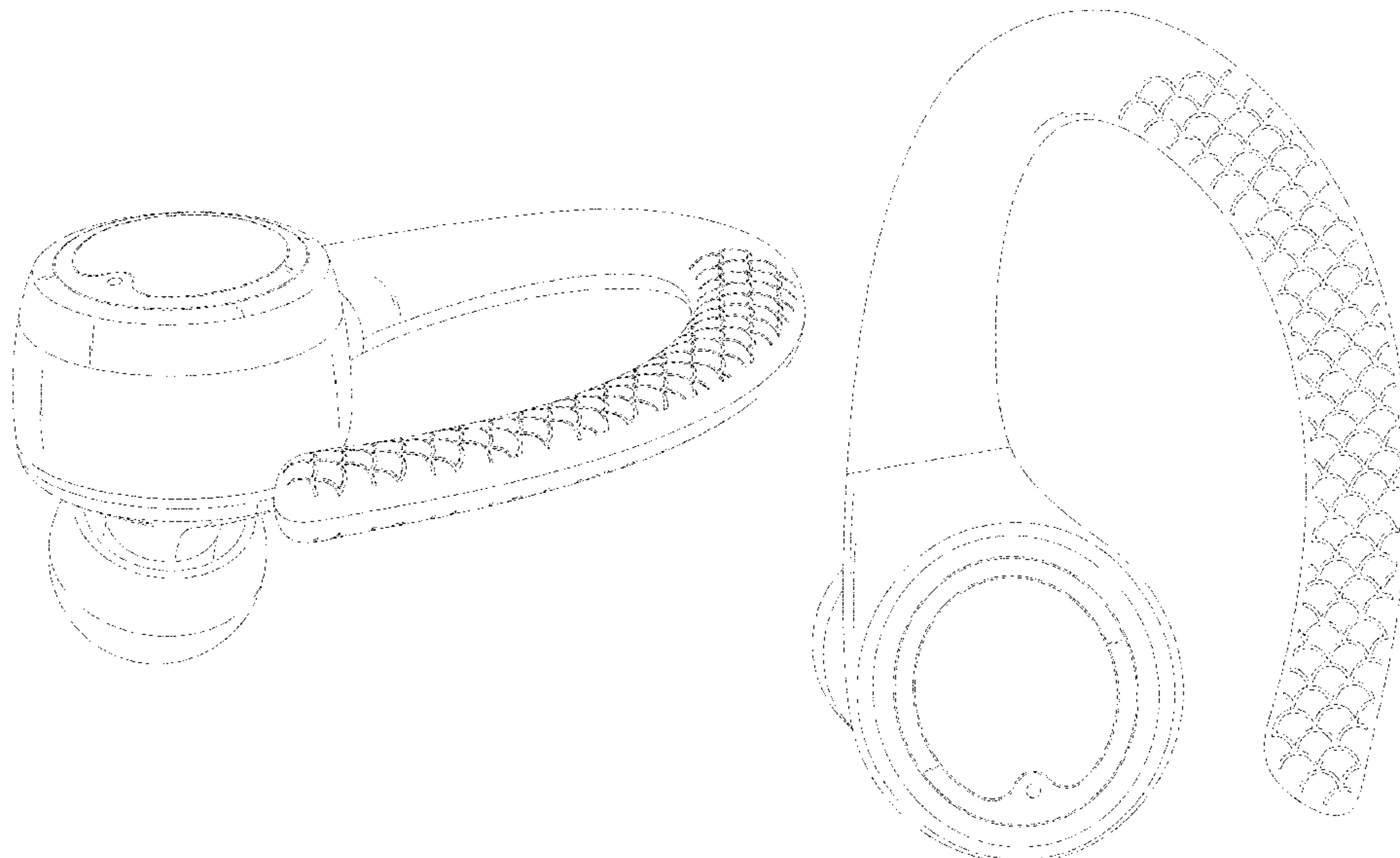
(57) **CLAIM**

The ornamental design for a wireless earphone, as shown and described.

DESCRIPTION

FIG. 1 is a perspective view of a wireless earphone showing the new design;
FIG. 2 is a top plan view thereof;
FIG. 3 is a side elevational view thereof;
FIG. 4 is a bottom view thereof;
FIG. 5 is a side elevational view thereof;
FIG. 6 is a top view thereof; and,
FIG. 7 is a bottom plan view thereof.
The broken lines illustrate portions of the wireless earphone that form no part of the claimed design.

1 Claim, 7 Drawing Sheets



(56)

References Cited

U.S. PATENT DOCUMENTS

D593,075 S * 5/2009 Williams D14/223
 D601,126 S * 9/2009 Christopher D14/206
 D603,847 S * 11/2009 Chung D14/223
 D617,780 S * 6/2010 Jaakkola D14/223
 D629,397 S * 12/2010 Hensen H04R 5/033
 D635,680 S * 4/2011 Laperle D14/223
 D639,787 S * 6/2011 Quek D24/174
 D642,163 S * 7/2011 Lee D14/223
 D652,817 S * 1/2012 Lee D14/205
 D654,056 S * 2/2012 Hoggarth D14/223
 D666,580 S * 9/2012 Lee D14/223
 D666,581 S * 9/2012 Perez D14/223
 8,265,328 B2 * 9/2012 Milde H04R 1/1066
 D699,213 S * 2/2014 Burgett 381/381
 D699,226 S * 2/2014 Yoon D14/205
 D710,333 S * 8/2014 Davies H04R 1/10
 D711,356 S * 8/2014 Yang D14/223
 D713,385 S * 9/2014 Burgett D14/223
 D744,456 S * 12/2015 Pedersen D14/223
 D753,626 S * 4/2016 Tran D14/205
 D755,159 S * 5/2016 Birger D14/206
 D761,770 S * 7/2016 Kanou D14/223
 D773,437 S * 12/2016 Lee D14/223
 D773,438 S * 12/2016 Walker D14/223
 D774,326 S * 12/2016 Chang D6/583
 D777,710 S * 1/2017 Palmborg D14/223
 D788,079 S * 5/2017 Son D14/223
 D793,360 S * 8/2017 Birger D14/206
 D796,215 S * 9/2017 Giunti D5/61
 D803,816 S * 11/2017 Bolster D14/223
 D809,486 S * 2/2018 Arimoto D14/223
 D809,487 S * 2/2018 Lee D14/223

D813,205 S * 3/2018 Palmborg D14/223
 9,949,014 B2 * 4/2018 Cramer H04R 1/1008
 D816,637 S * 5/2018 Hardi D14/205
 D819,594 S * 6/2018 Hosoda D14/205
 D822,646 S * 7/2018 Dang D14/223
 D828,826 S * 9/2018 Schaal D14/223
 D830,337 S * 10/2018 Yan D14/206
 D850,408 S * 6/2019 Kawabata D14/206
 D852,784 S * 7/2019 Cramer H04R 1/1008
 D853,992 S * 7/2019 Kuh D14/223
 D853,993 S * 7/2019 Kuh D14/223
 D863,264 S * 10/2019 Zhang D14/223
 D863,265 S * 10/2019 Hu D14/223
 D871,375 S * 12/2019 Meyer D14/223
 D872,051 S * 1/2020 Murdock D14/206
 D879,744 S * 3/2020 Hu D14/206
 D882,545 S * 4/2020 Li D14/205
 D883,957 S * 5/2020 Bailey D14/223
 D889,440 S 7/2020 Yan
 D890,726 S * 7/2020 Park D14/223
 D892,089 S * 8/2020 Karayiannis D14/223
 D894,874 S * 9/2020 Fustino D14/223
 D896,204 S * 9/2020 Brunner D14/223
 D899,399 S * 10/2020 Jung D14/205
 D905,667 S * 12/2020 Zhao D14/223
 D913,993 S * 3/2021 Sugiura D14/223
 D918,180 S * 5/2021 Bailey D14/223
 2003/0044038 A1 * 3/2003 Shirata H04R 1/105
 381/381
 2005/0271234 A1 * 12/2005 Bogeskov-Jensen H04R 1/10
 381/381
 2013/0010997 A1 * 1/2013 Tanaka A61B 5/01
 381/380
 2018/0146280 A1 * 5/2018 Tang H04R 9/06
 2019/0014403 A1 * 1/2019 Lee H04R 1/1016
 2019/0261079 A1 * 8/2019 Okawa H04R 1/1016
 2021/0076118 A1 * 3/2021 Struzik H04R 1/1075

* cited by examiner

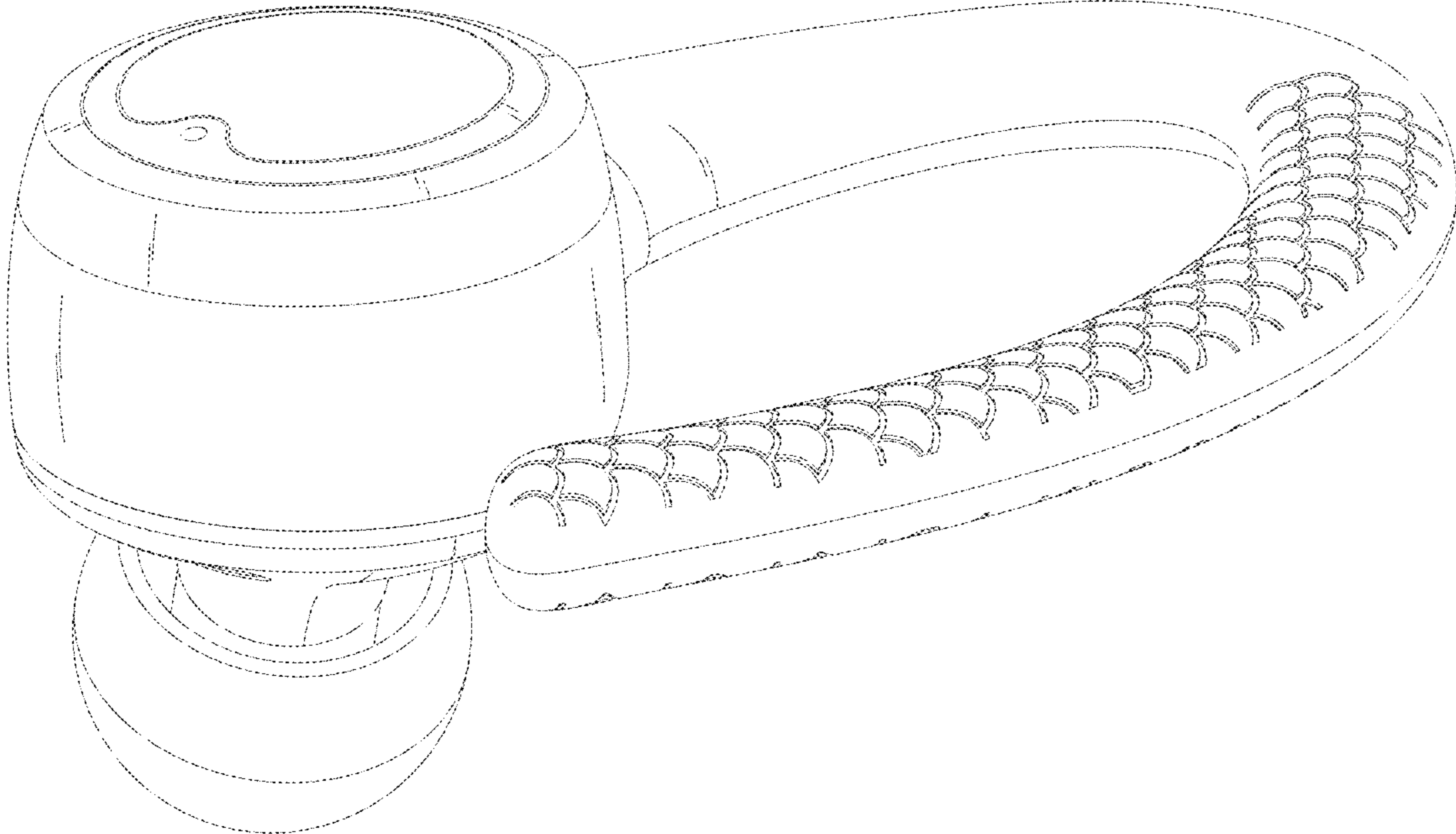


FIG. 1

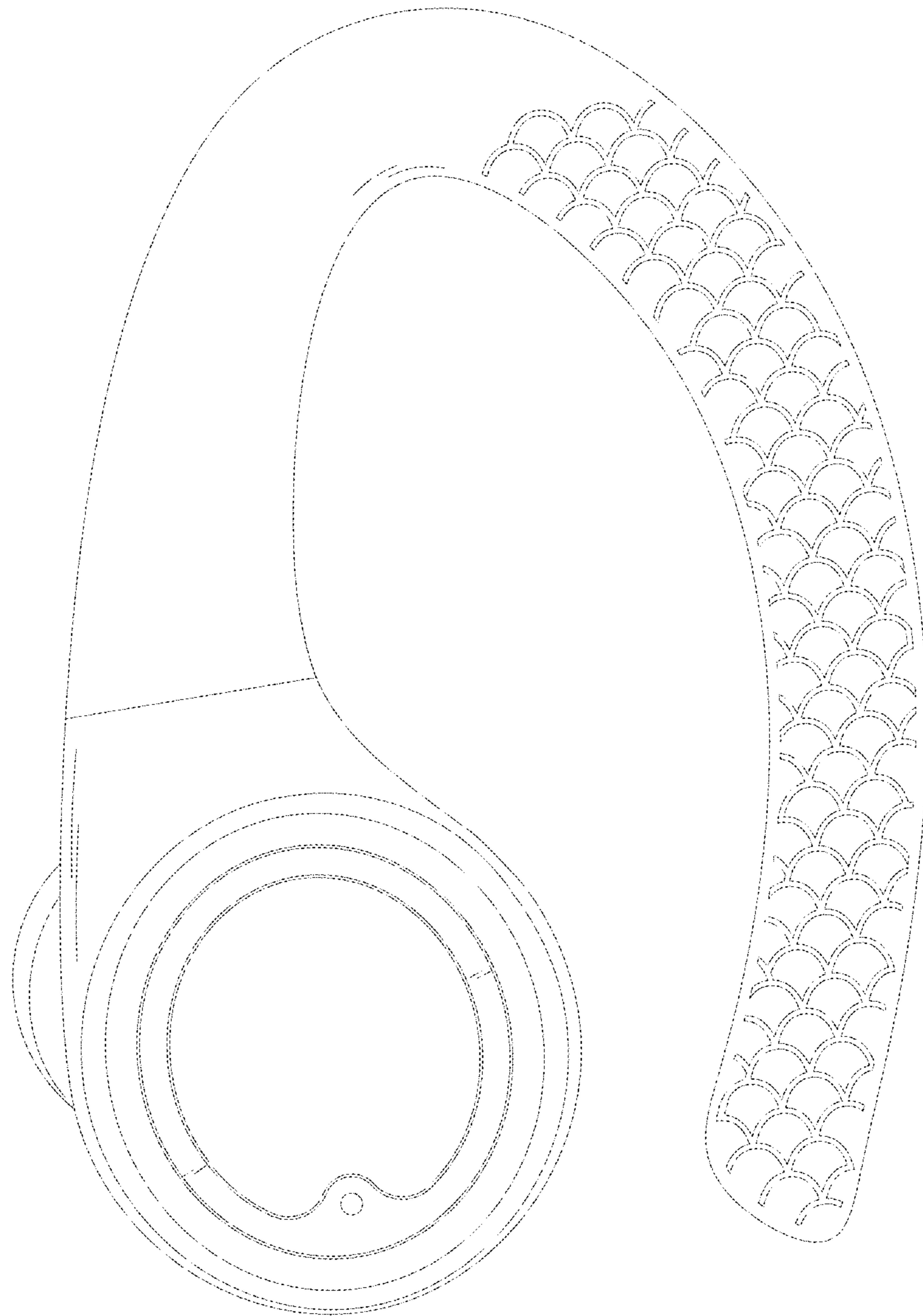


FIG. 2

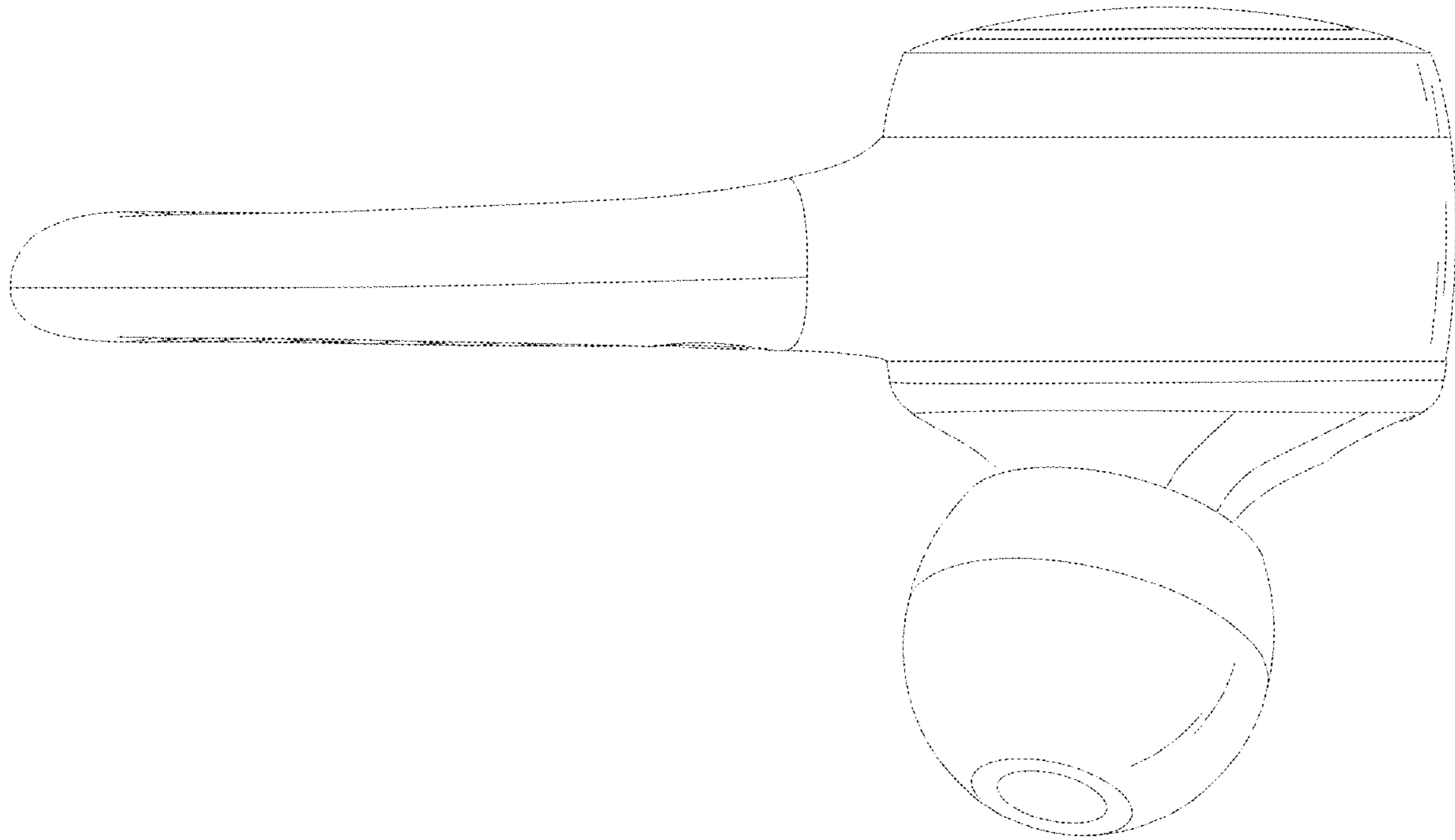


FIG. 3

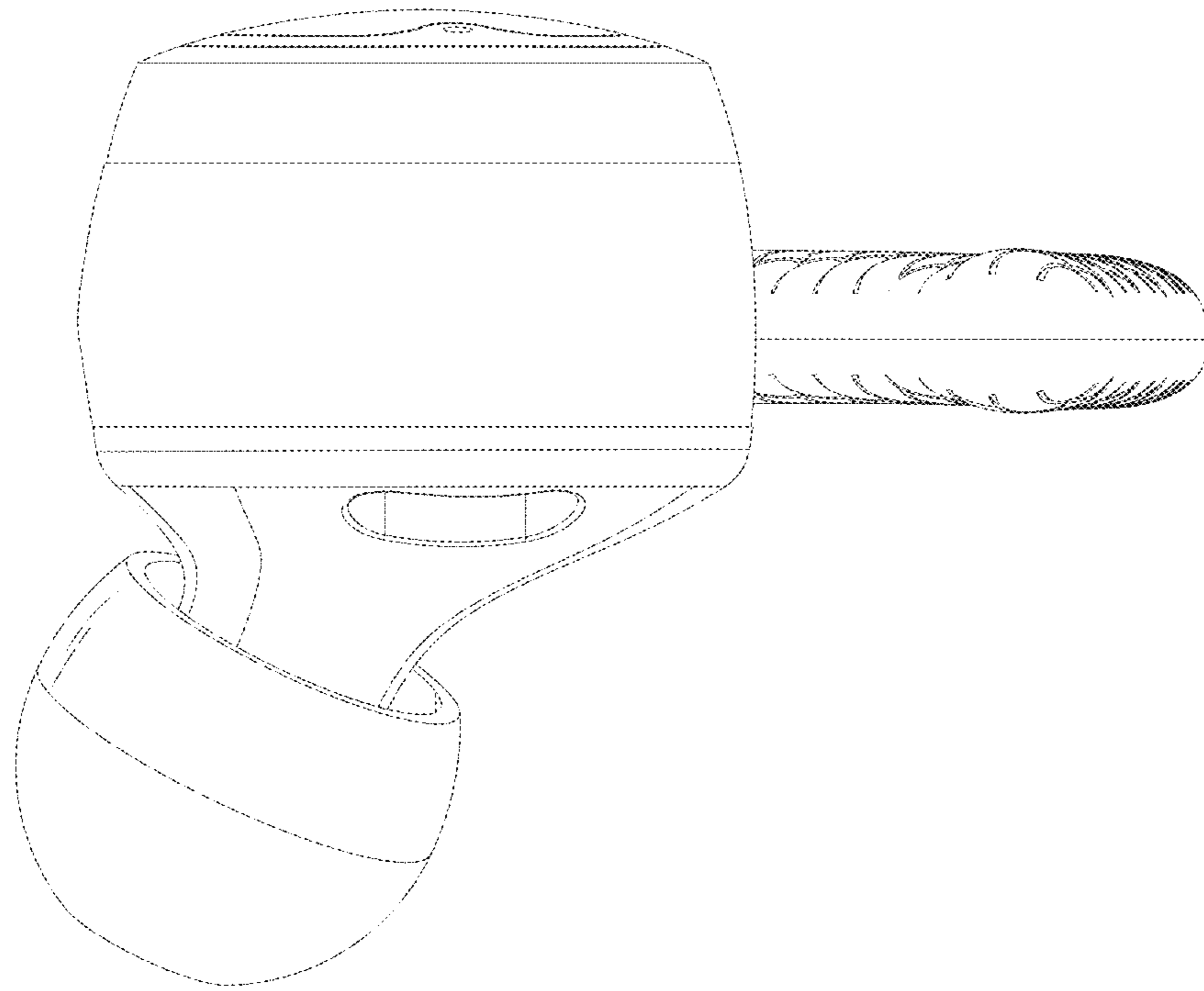


FIG. 4

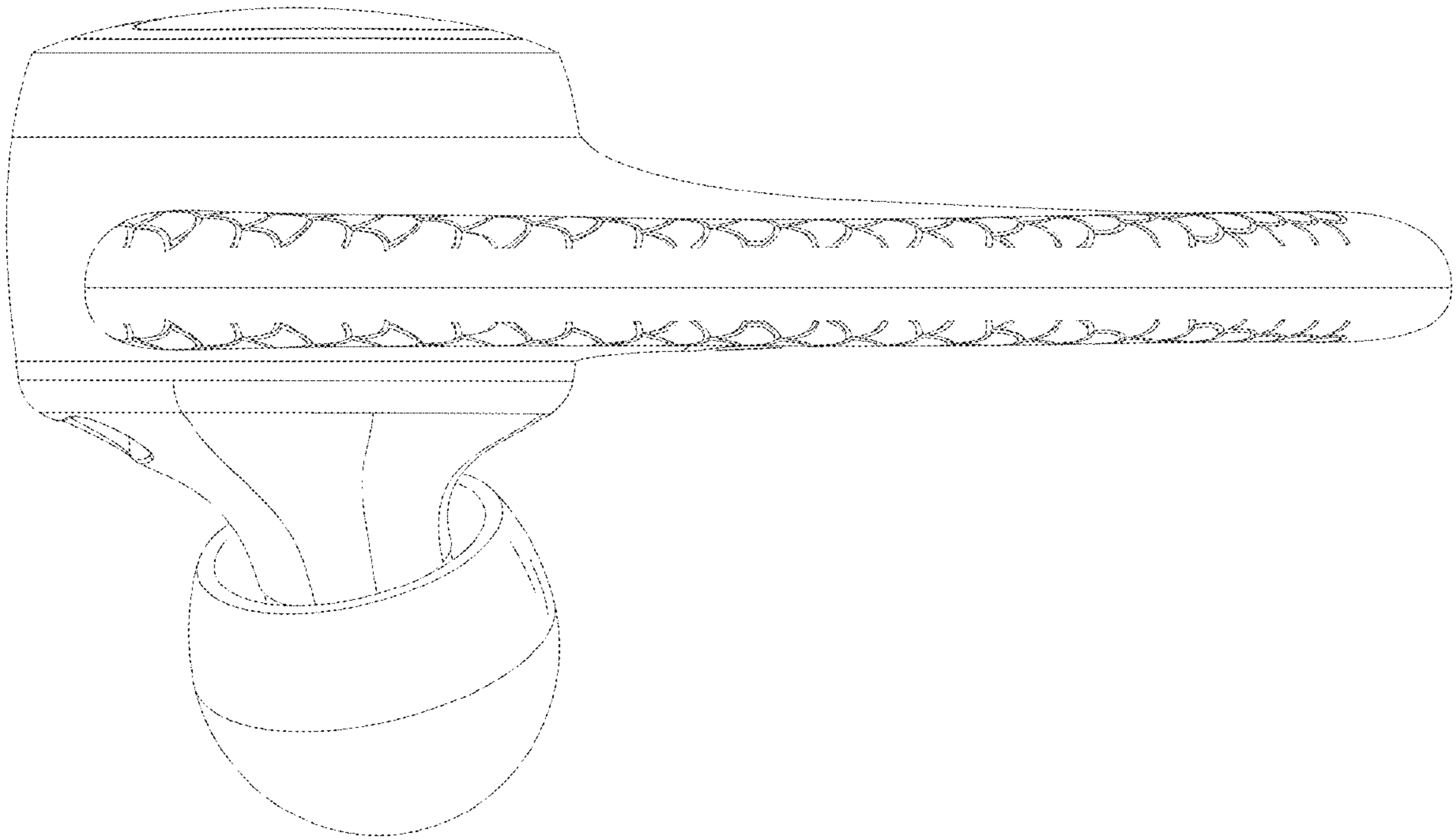


FIG. 5

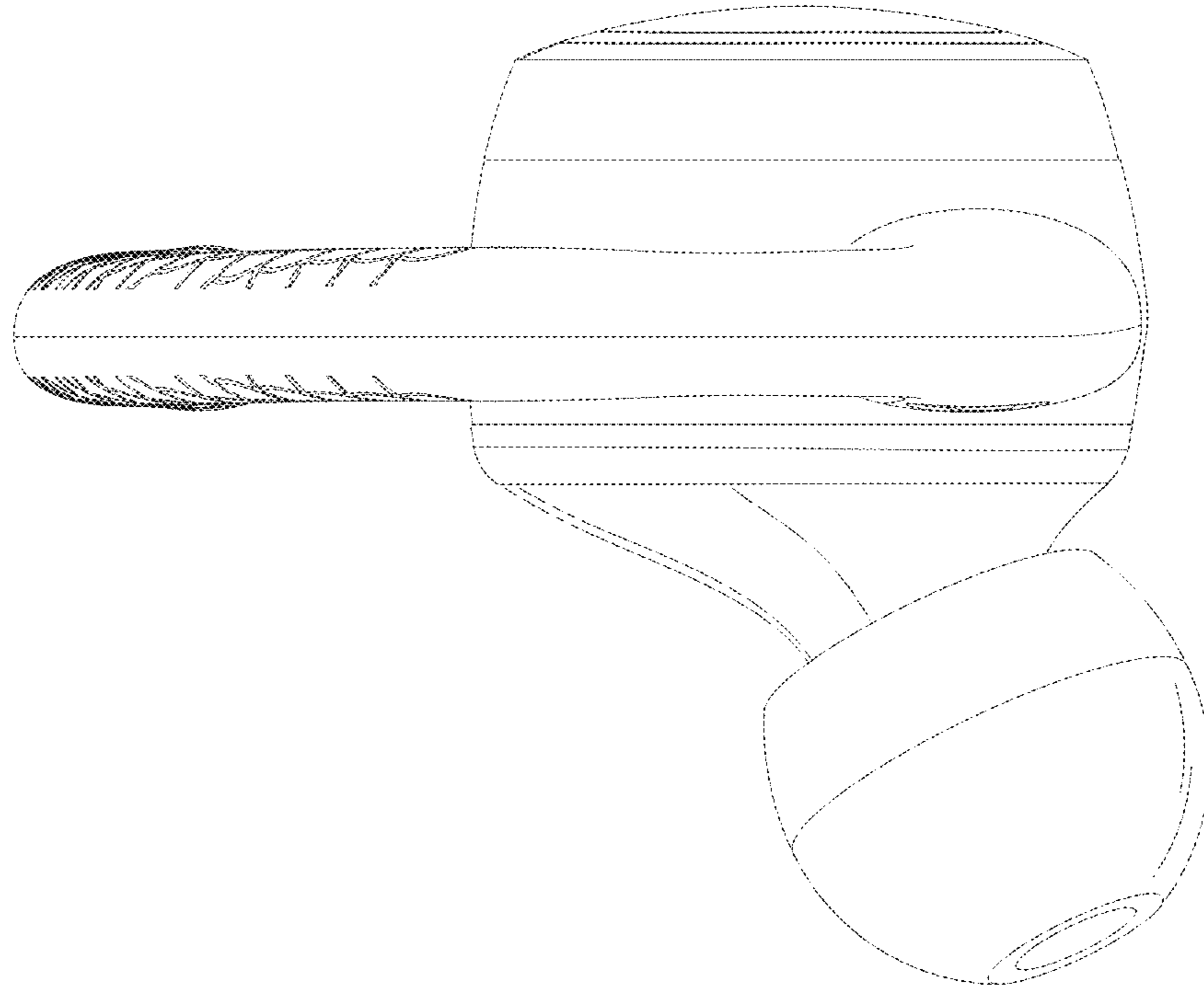


FIG. 6

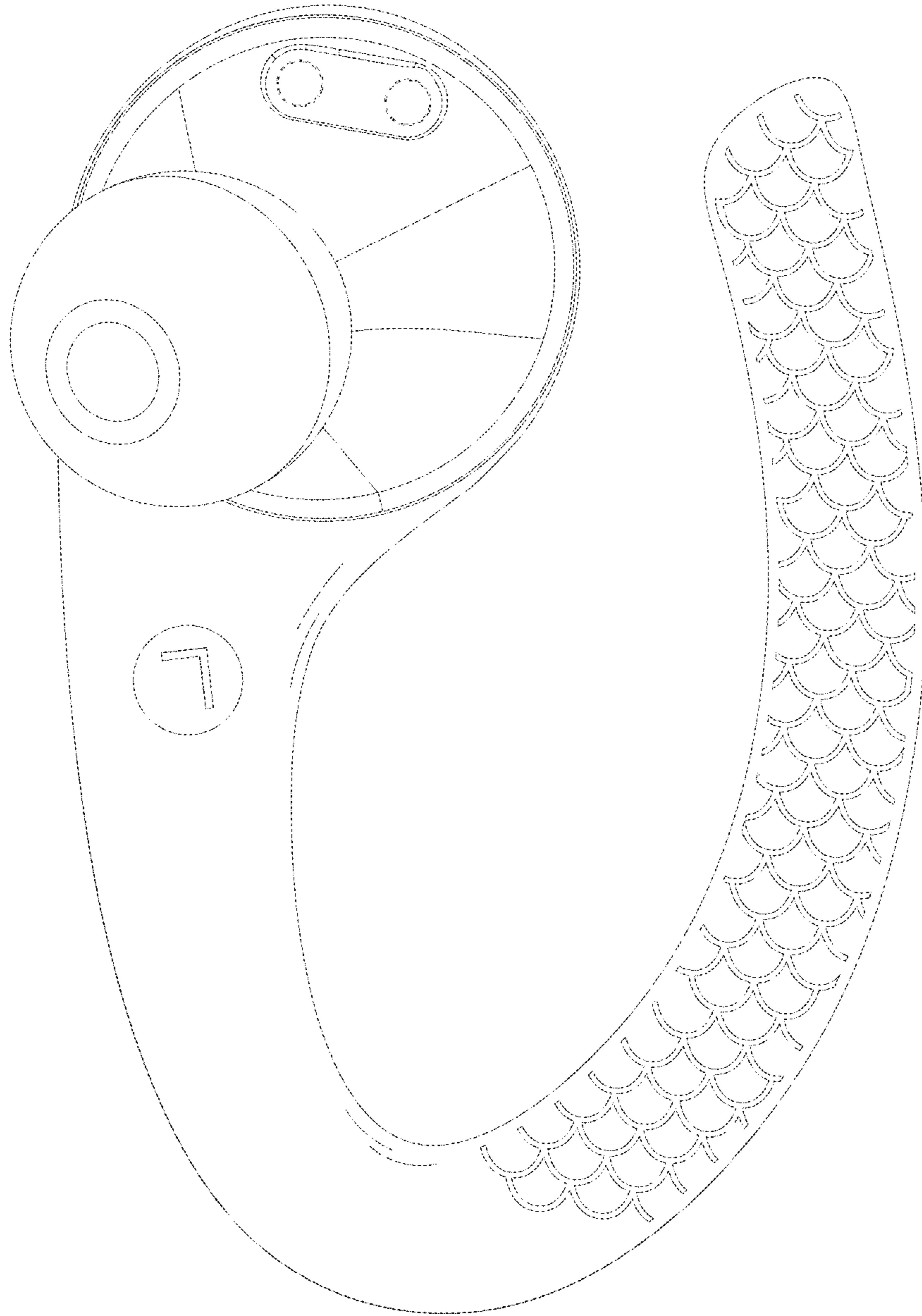


FIG. 7