



US00D926158S

(12) **United States Design Patent**  
**Hirotnani**

(10) **Patent No.:** **US D926,158 S**  
(45) **Date of Patent:** **\*\* Jul. 27, 2021**

(54) **SPEAKER BOX**  
(71) Applicant: **Sphere Technology LLC**, Tottori (JP)  
(72) Inventor: **Masanori Hirotnani**, Tottori (JP)  
(73) Assignee: **Sphere Technology LLC**, Tottori (JP)  
(\*\*) Term: **15 Years**  
(21) Appl. No.: **35/509,264**  
(22) Filed: **Jun. 10, 2019**

D653,403 S \* 1/2012 Hayward ..... D30/108  
D675,194 S \* 1/2013 Andre ..... D14/223  
D676,613 S \* 2/2013 Chiu ..... D30/118  
D692,547 S \* 10/2013 Wirz ..... D23/366  
D744,977 S 12/2015 Wagner  
D756,327 S 5/2016 Counti et al.  
D765,617 S \* 9/2016 Mackiewicz ..... D14/216  
D770,415 S \* 11/2016 Pellisari ..... D14/216  
D793,363 S \* 8/2017 Zhang ..... D14/216  
D817,935 S \* 5/2018 Zukowski ..... D14/228  
D860,160 S \* 9/2019 Wolman ..... D14/204  
D868,770 S \* 12/2019 Hohman ..... D14/253  
D880,553 S \* 4/2020 Yu ..... D16/203  
D885,368 S \* 5/2020 Yanjie ..... D14/216  
D892,076 S \* 8/2020 Wu ..... D14/204

(Continued)

(80) **Hague Agreement Data**

Int. Filing Date: **Jun. 10, 2019**  
Int. Reg. No.: **DM/207600**  
Int. Reg. Date: **Jun. 10, 2019**  
Int. Reg. Pub. Date: **May 8, 2020**

**OTHER PUBLICATIONS**

How to make a Sphere, publication date Jun. 3, 2019, [online][site visited Mar. 15, 2021]URL: <https://www.tottori-style.jp/post/manage-your-blog-from-your-live-site> (Year: 2019).\*

(Continued)

(30) **Foreign Application Priority Data**

Dec. 10, 2018 (JP) ..... 2018-026850

(51) **LOC (13) Cl.** ..... **14-01**

(52) **U.S. Cl.**  
USPC ..... **D14/216**

(58) **Field of Classification Search**  
USPC ..... D14/172, 188, 194, 203.1, 204, 209.1,  
D14/211, 212, 214, 215, 221, 216  
CPC ..... H04R 2420/07; H04R 5/02; H04R 1/403;  
H04R 2201/028  
See application file for complete search history.

*Primary Examiner* — L. A. Grabenstetter  
(74) *Attorney, Agent, or Firm* — Nakanishi IP Associates, LLC

(57) **CLAIM**

The ornamental design for a speaker box, as shown and described.

**DESCRIPTION**

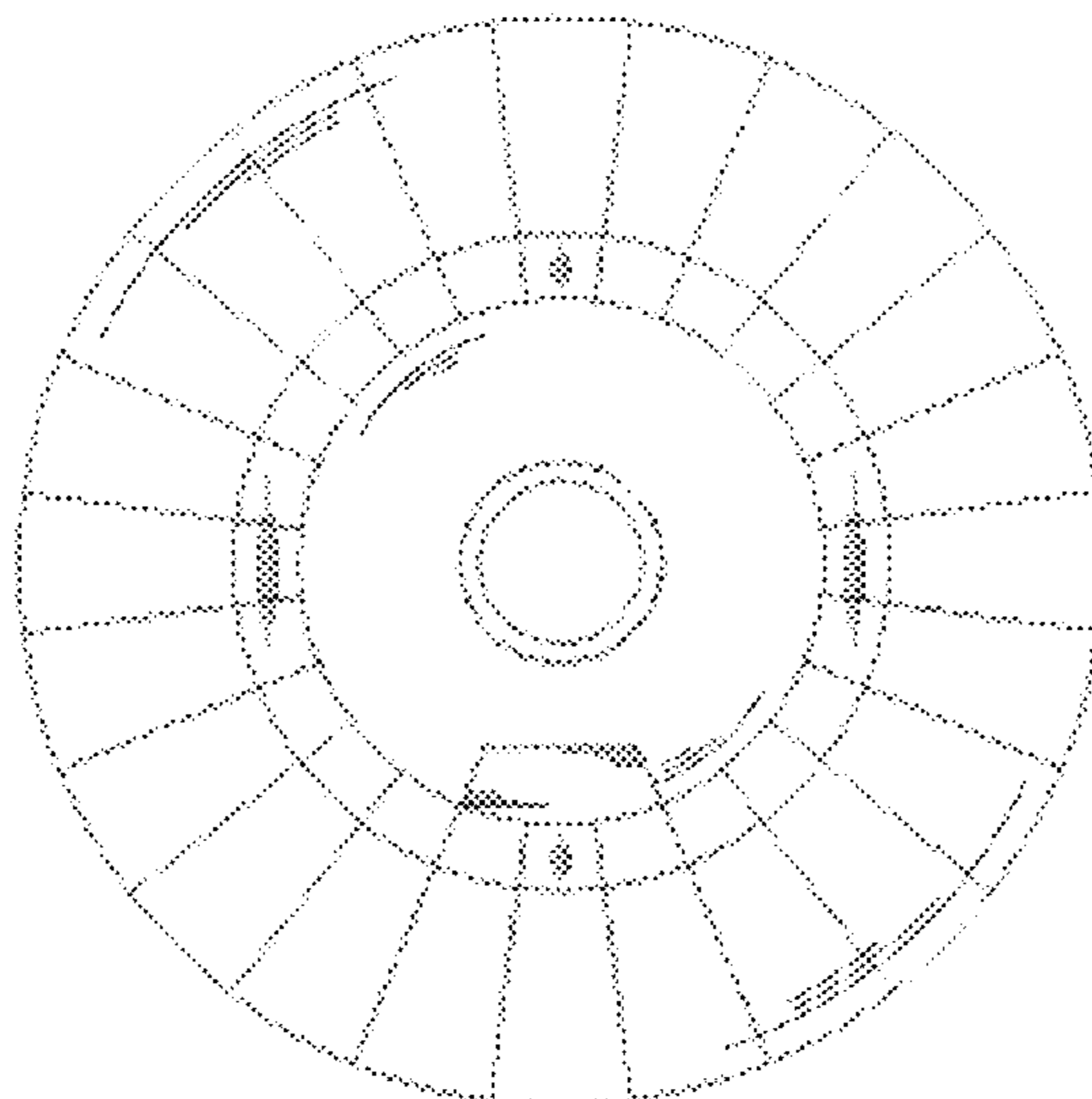
- 1. Speaker box
- 1.1: Front
- 1.2: Back
- 1.3: Right
- 1.4: Left
- 1.5: Top
- 1.6: Bottom
- 1.7: Cross-sectional view taken from a vertical cat at the center of the speaker box in 1.2.

(56) **References Cited**

**U.S. PATENT DOCUMENTS**

D508,814 S \* 8/2005 Essig, Jr. .... D7/324  
D514,548 S \* 2/2006 Chan ..... D14/216  
D554,682 S \* 11/2007 Martinez ..... D16/203  
D575,327 S \* 8/2008 Lerner ..... D17/22  
D626,939 S \* 11/2010 Chen ..... D14/216  
D645,846 S \* 9/2011 Mordechai ..... D14/216

**1 Claim, 7 Drawing Sheets**



(56)

**References Cited**

U.S. PATENT DOCUMENTS

2008/0137880 A1\* 6/2008 Mills ..... H04R 1/026  
381/79  
2018/0359547 A1\* 12/2018 Li ..... H04R 1/025

OTHER PUBLICATIONS

6 Ways to Transform a Bowl into a Sleek Speaker, publication date Sep. 7, 2016, [online][site visited Mar. 15, 2021] URL: <https://makezine.com/2016/09/07/6-ways-to-transform-a-bowl-into-a-sleek-speaker/> (Year: 2016).\*

Wood Bluetooth Speaker, publication date Nov. 29, 2014, [online][site visited Mar. 15, 2021] URL: <https://www.pbteen.com/products/wood-bluetooth-speaker/> (Year: 2014).\*

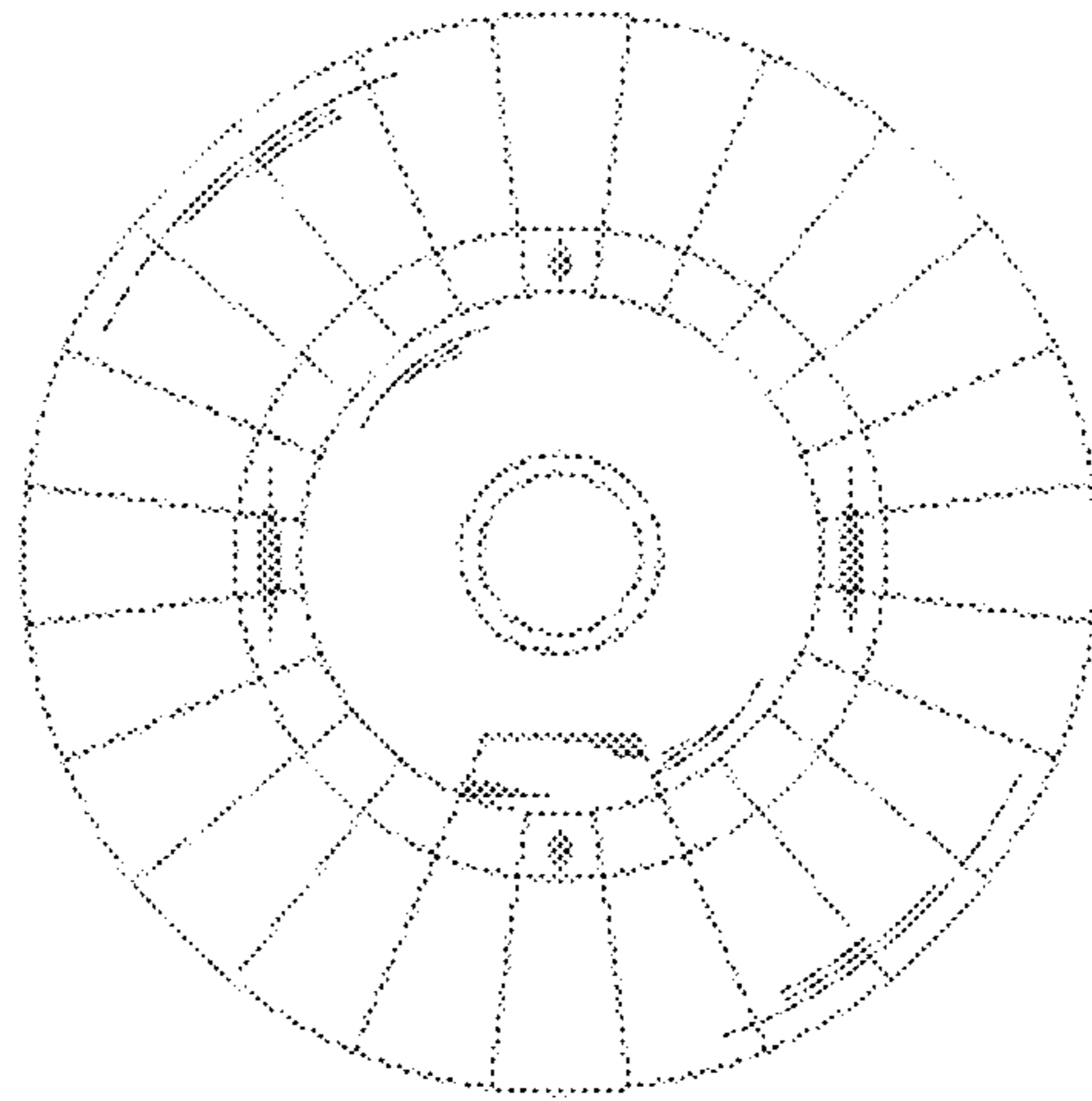
Carved unleashes its new Acorn Acoustic Bluetooth speaker with a unique design, publication date Jan. 19, 2017, [online][site visited Mar. 15, 2021] URL: <https://9to5toys.com/2017/01/19/carved-acorn-acoustic-bluetooth-speaker/> (Year: 2017).\*

D190: Wooden spherical Hi-Fi speaker with free setting and high sound quality, publication date May 10, 2019, [online][site visited Mar. 11, 2021] URL: <https://www.makuake.com/project/d190/> (Year: 2019).\*

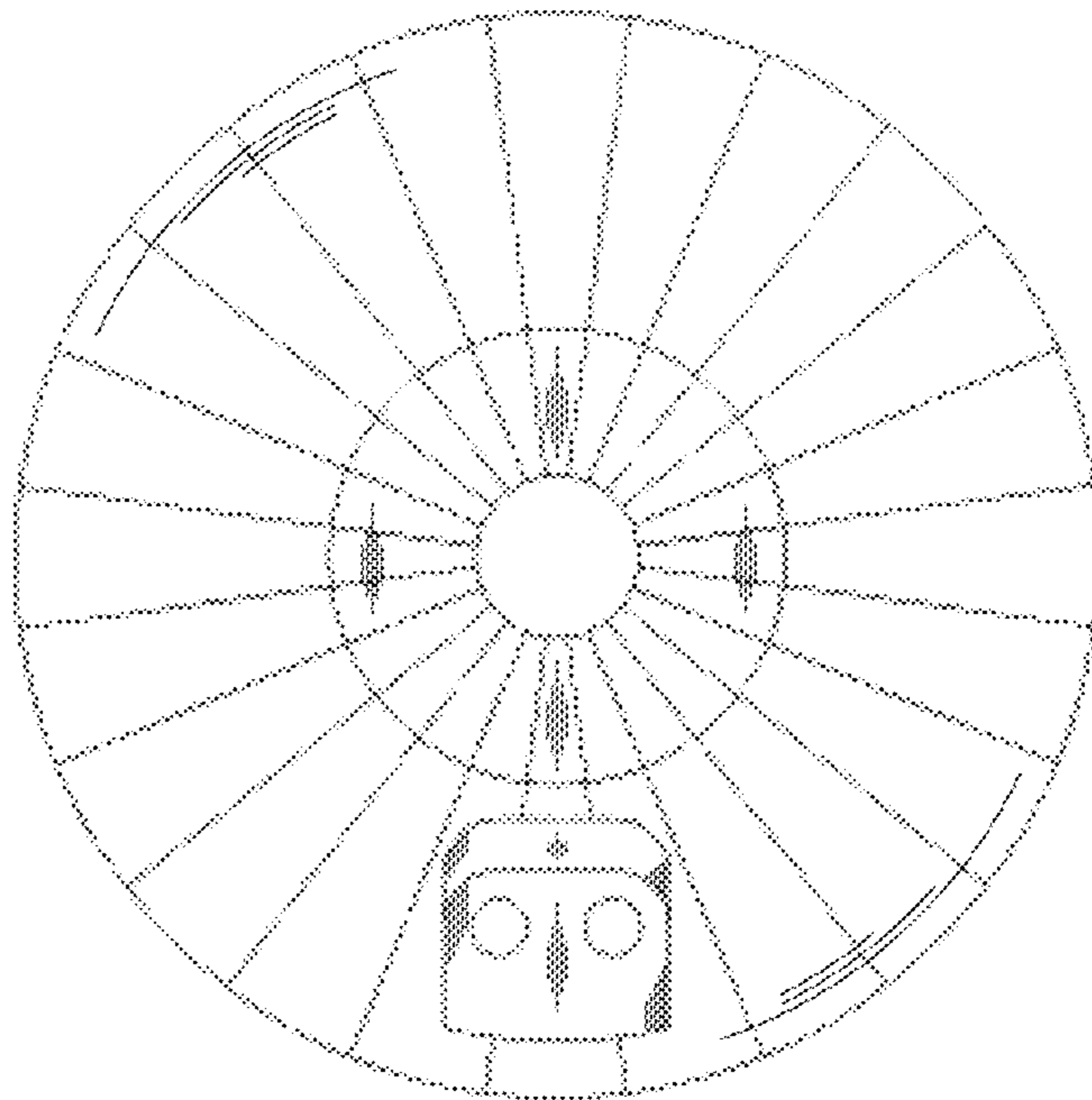
IKEA bamboo bowl speakers, publication date Jun. 18, 2019, [online][site visited Mar. 11, 2021] URL: <https://diyplan.net/ikea-bamboo-bowl-speakers/> (Year: 2019).\*

\* cited by examiner

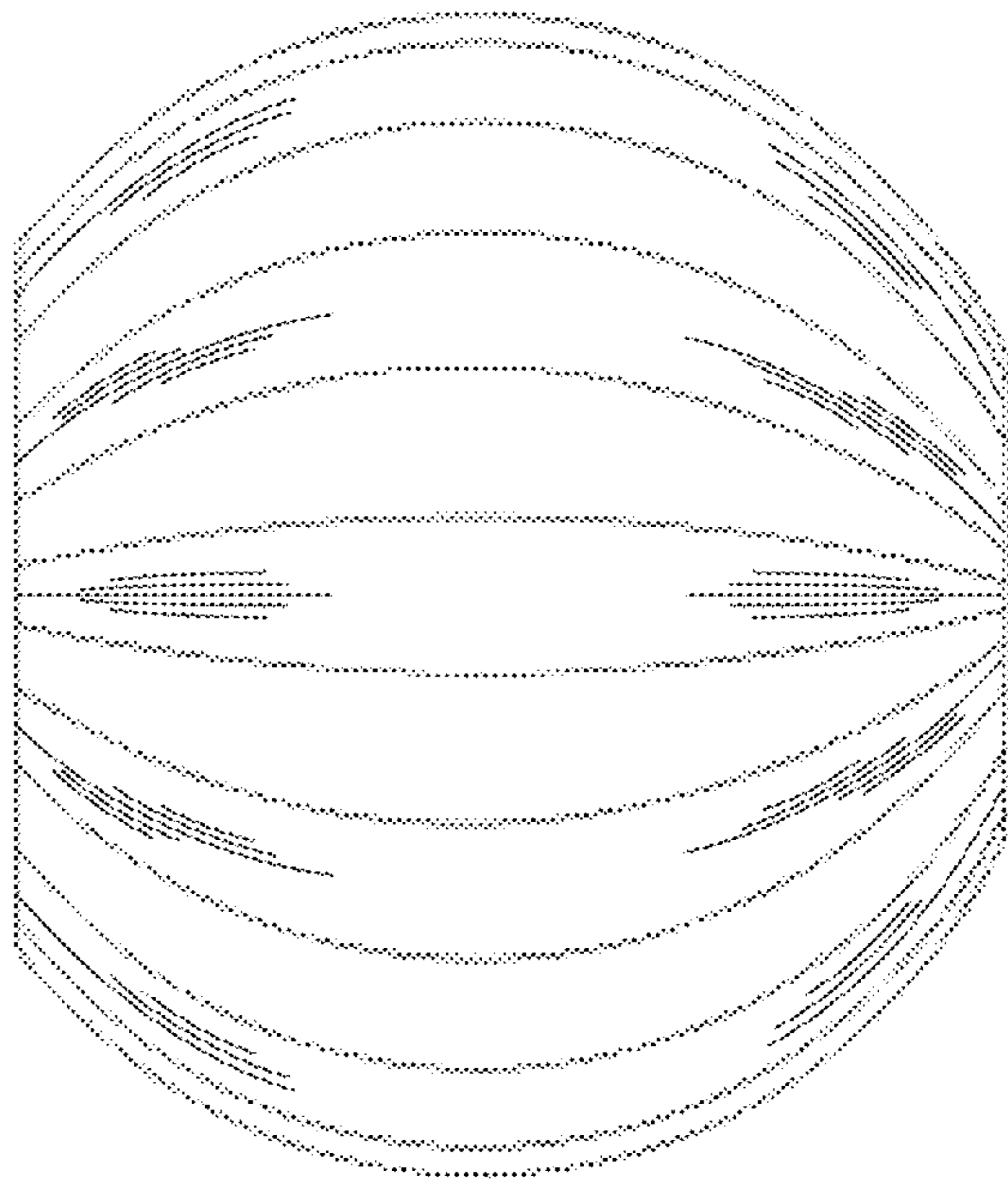
1.1



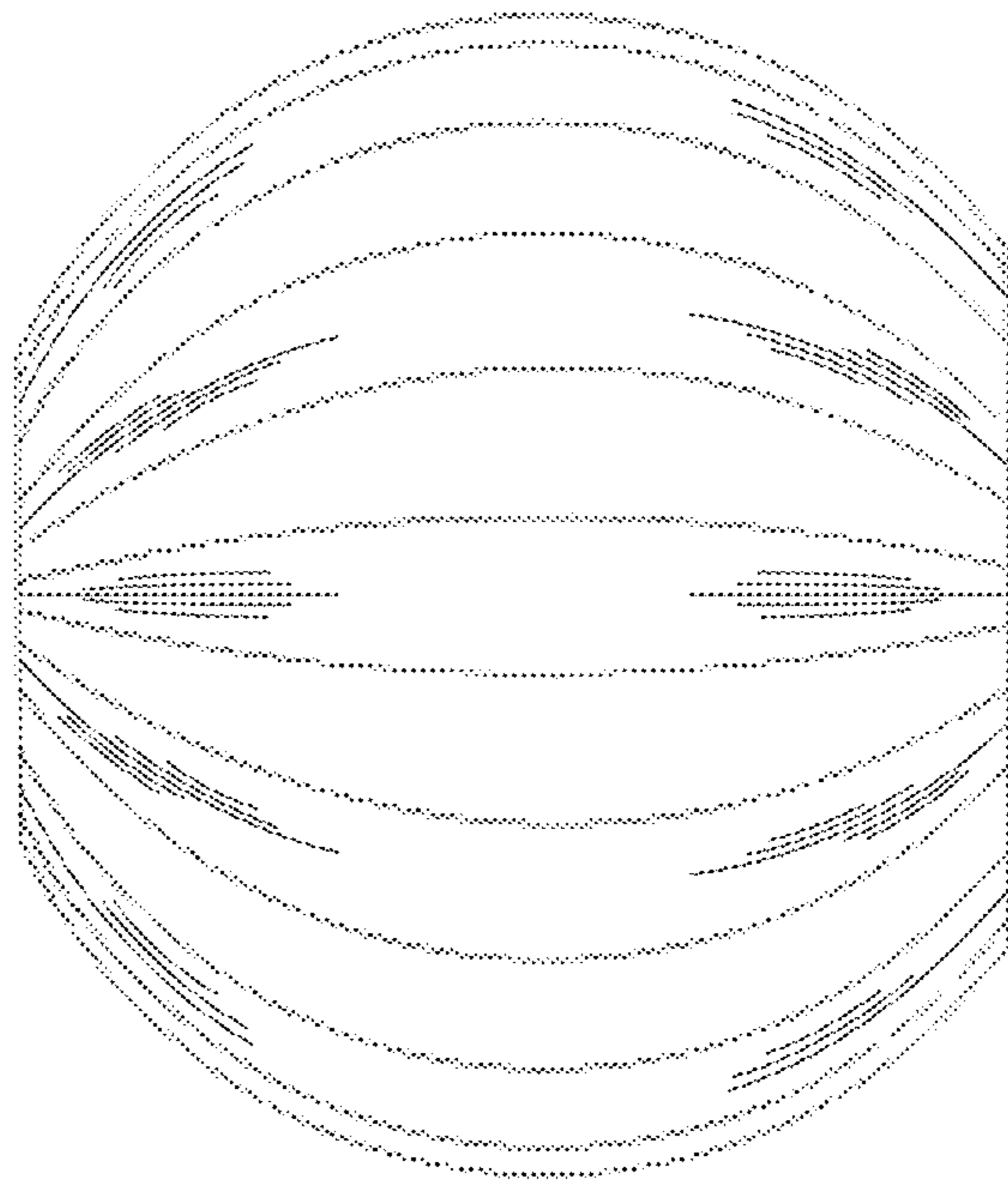
1.2



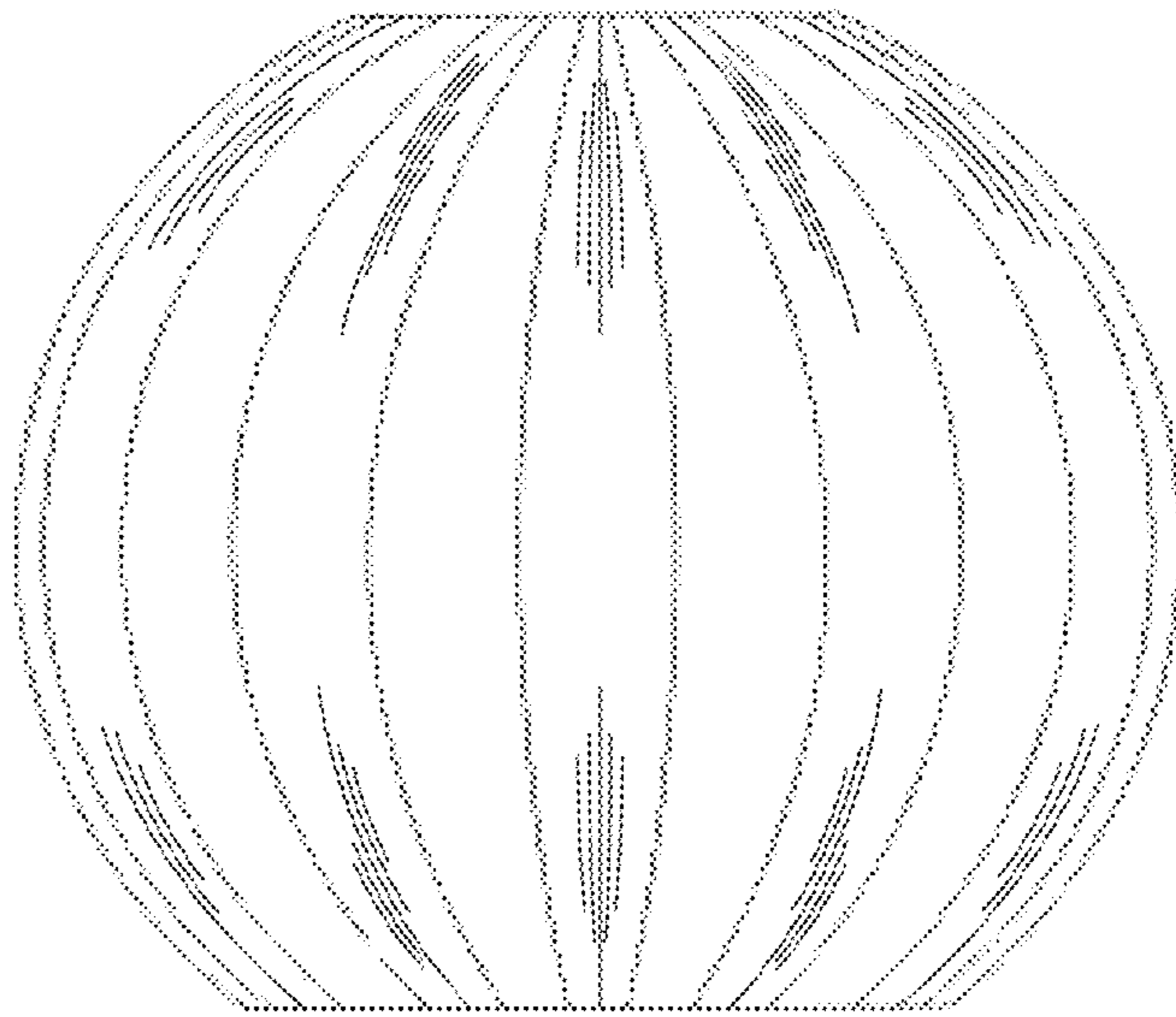
1.3



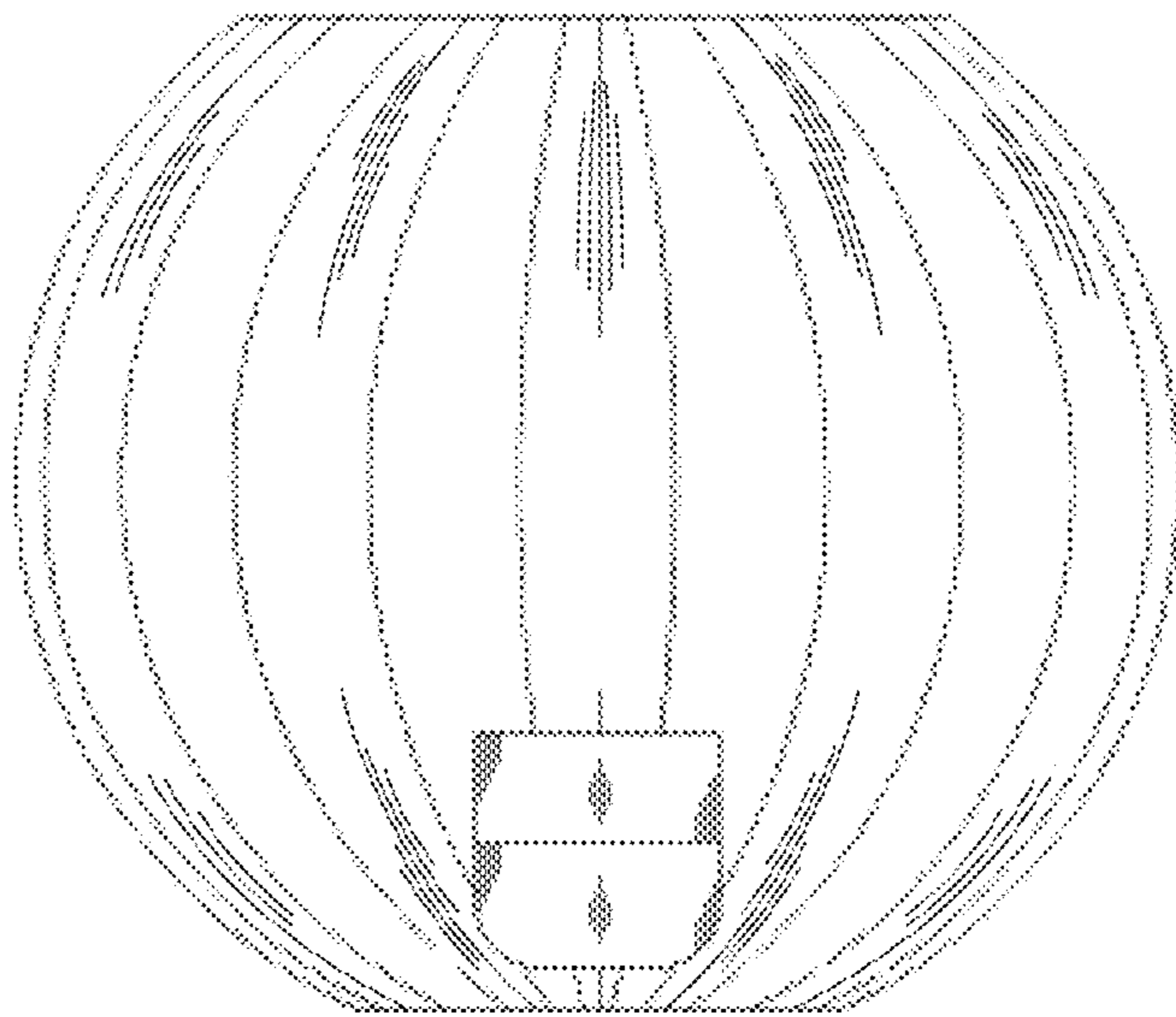
1.4



1.5



1.6





1.7

