



US00D926157S

(12) **United States Design Patent**
Bae et al.

(10) **Patent No.:** **US D926,157 S**
(45) **Date of Patent:** **** Jul. 27, 2021**

(54) **HEADSET**

- (71) Applicant: **LG ELECTRONICS INC.**, Seoul (KR)
- (72) Inventors: **Jinwan Bae**, Seoul (KR); **Juyoung Choi**, Seoul (KR); **Kiyeal Seo**, Seoul (KR); **Joungyoung Joung**, Seoul (KR)
- (73) Assignee: **LG ELECTRONICS INC.**, Seoul (KR)

(**) Term: **15 Years**

(21) Appl. No.: **35/508,709**
(22) Filed: **Mar. 5, 2019**

(80) **Hague Agreement Data**

Int. Filing Date: **Mar. 5, 2019**
Int. Reg. No.: **DM/206078**
Int. Reg. Date: **Mar. 5, 2019**
Int. Reg. Pub. Date: **Feb. 28, 2020**

(30) **Foreign Application Priority Data**

Sep. 7, 2018 (KR) 30-2018-0041951
(51) **LOC (13) Cl.** **14-01**
(52) **U.S. Cl.**
USPC **D14/207; D14/205**
(58) **Field of Classification Search**
USPC ... D14/172, 188, 194, 203.1, 204, 205, 207,
D14/209.1, 211, 212, 214, 215, 216, 221,
D14/496; D2/869, 871

(Continued)

(56) **References Cited**

U.S. PATENT DOCUMENTS

D589,681 S * 4/2009 Knab D2/869
8,755,555 B2 * 6/2014 Dougherty H04R 1/1066
381/378

(Continued)

OTHER PUBLICATIONS

Kids Bear Ear Over-ear Foldable Headphones, publication date May 18, 2017, [online][site visited Jan. 26, 2021] URL: <https://www.amazon.com/SNOW-Headphones-Foldable-Rechargeable-Over-Ear/dp/B0725S8WYW> (Year: 2017).*

(Continued)

Primary Examiner — L. A. Grabenstetter

(74) *Attorney, Agent, or Firm* — Birch, Stewart, Kolasch & Birch LLP

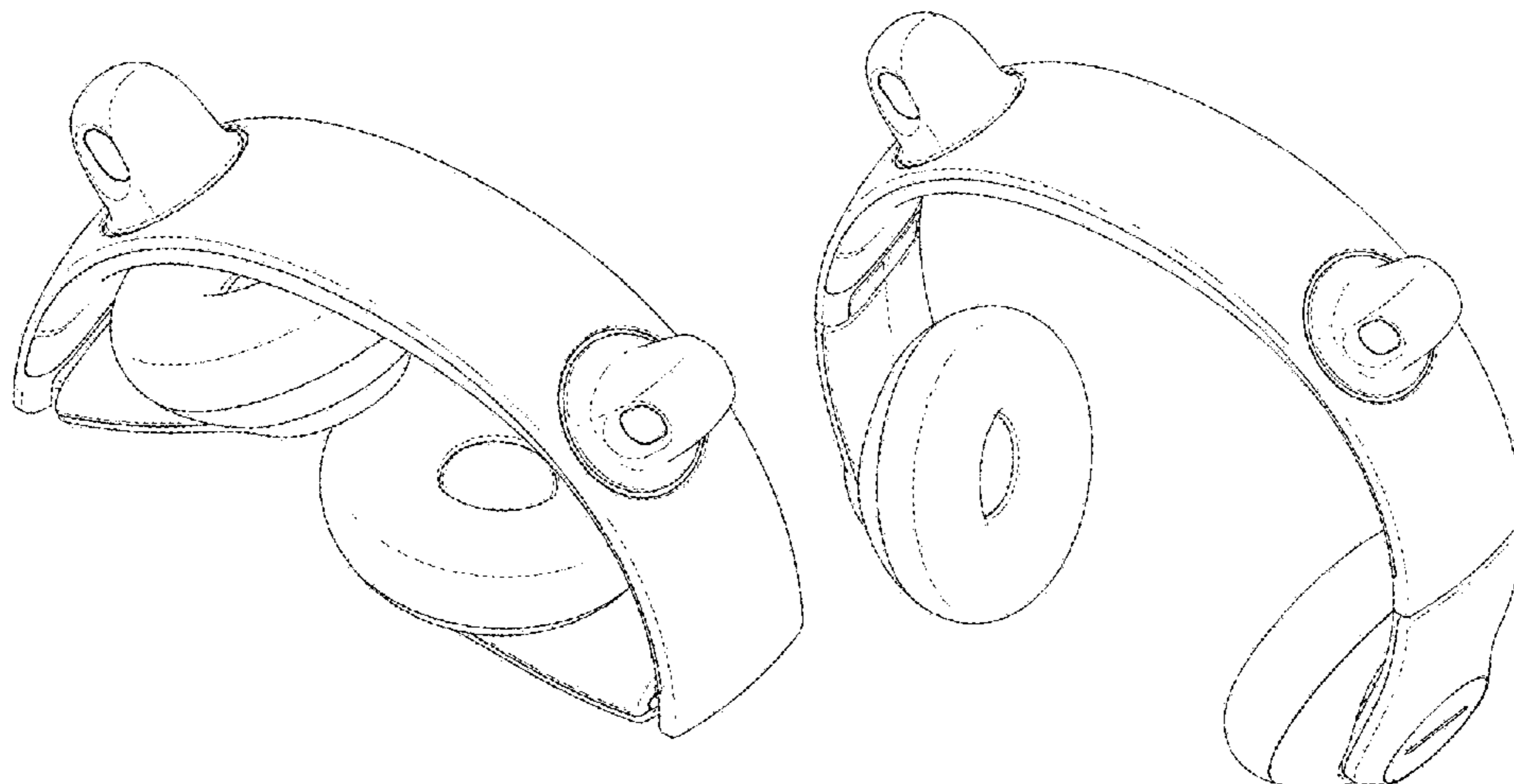
(57) **CLAIM**

The ornamental design for a headset, as shown and described.

DESCRIPTION

- 1. Headset
- 1.1 : Perspective view shown in a fully retracted and folded condition
- 1.2 : Front view thereof
- 1.3 : Back view thereof
- 1.4 : Left view thereof
- 1.5 : Right view thereof
- 1.6 : Top view thereof
- 1.7 : Bottom view thereof
- 1.8 : Perspective view shown in a fully retracted and unfolded condition
- 1.9 : Front view thereof
- 1.10 : Back view thereof
- 1.11 : Left view thereof
- 1.12 : Right view thereof
- 1.13 : Top view thereof
- 1.14 : Bottom view thereof
- 1.15 : Perspective view shown in an extended and unfolded condition
- 1.16 : Front view thereof
- 1.17 : Back view thereof
- 1.18 : Left view thereof
- 1.19 : Right view thereof

(Continued)



1.20 : Top view thereof
1.21 : Bottom view thereof

1 Claim, 21 Drawing Sheets

D808,361 S * 1/2018 Sumii D14/205
D813,195 S * 3/2018 Huang D14/205
D851,624 S * 6/2019 Huang D14/205
D863,253 S * 10/2019 He D14/205
D863,261 S * 10/2019 Zhu D14/223
D869,433 S * 12/2019 Huan D14/205

(58) **Field of Classification Search**

CPC H04R 2420/07; H04R 5/02; H04R 1/403;
H04R 2201/028

See application file for complete search history.

(56) **References Cited**

U.S. PATENT DOCUMENTS

D743,934 S * 11/2015 Komagamine D14/205
D795,837 S * 8/2017 Cai D14/205
D801,948 S * 11/2017 Picunko D14/205

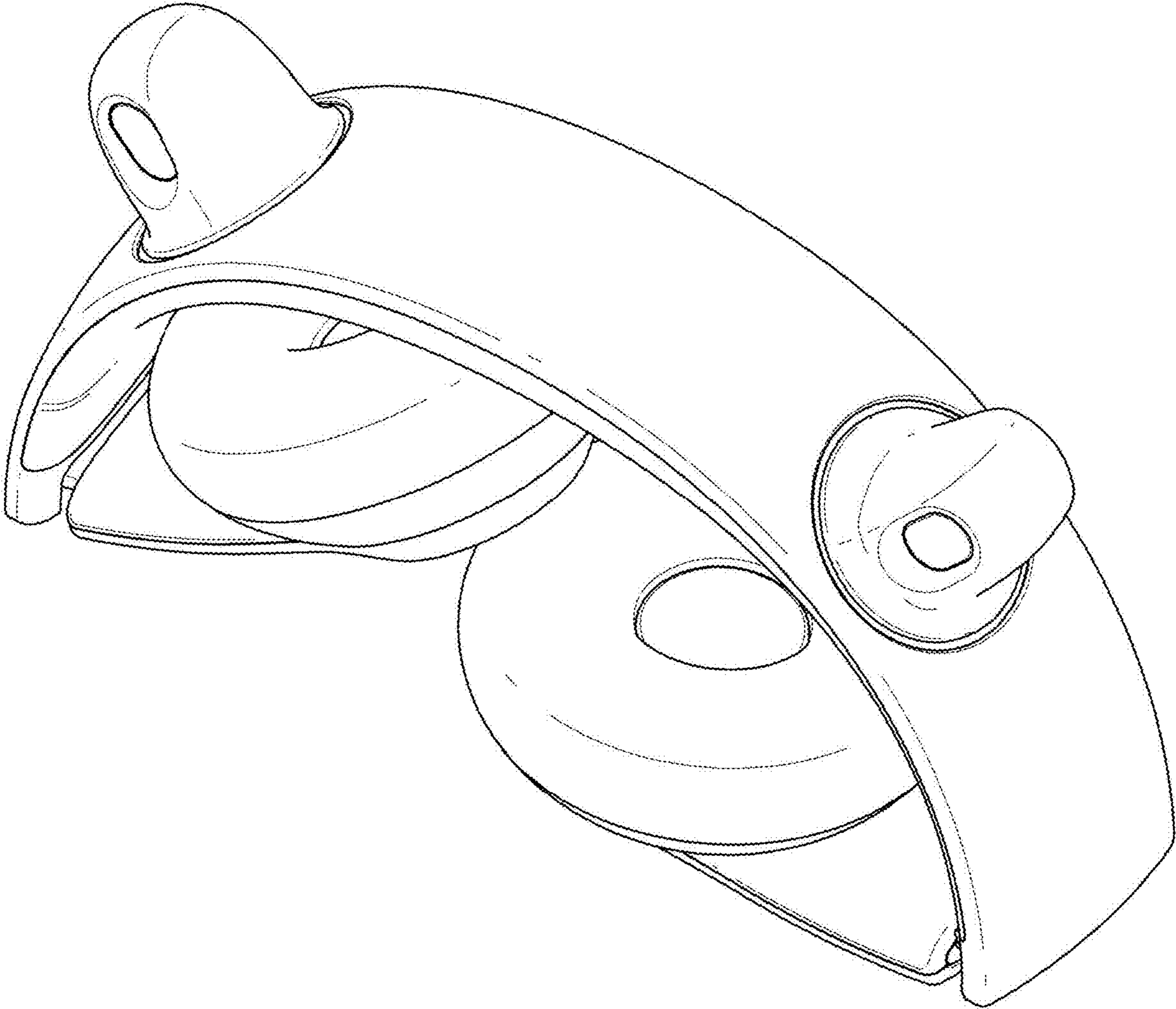
OTHER PUBLICATIONS

Linx Cat ear headphones, publication date May 19, 2018, [online][site visited Jan. 26, 2021] URL: <http://www.headphonefactory.net:80/article/congratulations-to-crab-for-cat-ears-headphones-big-order.html> (Year: 2018).*

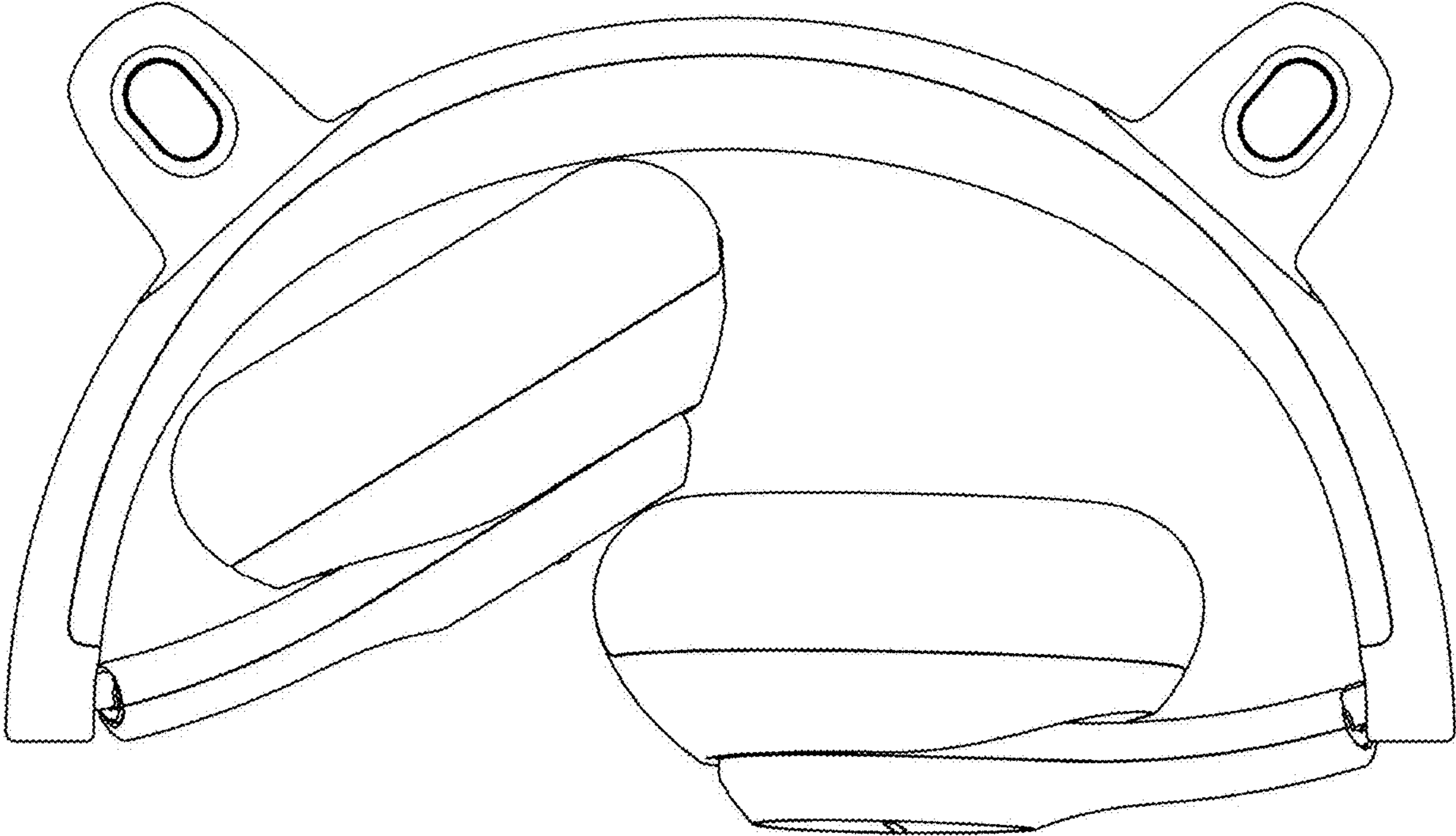
PowerLocus Wireless Bluetooth Over-ear stereo Foldable Headphones, publication date Jul. 24, 2019, [online][site visited Jan. 26, 2021] URL: <https://www.amazon.com/dp/B07ZQ3NJYP> (Year: 2019).*

* cited by examiner

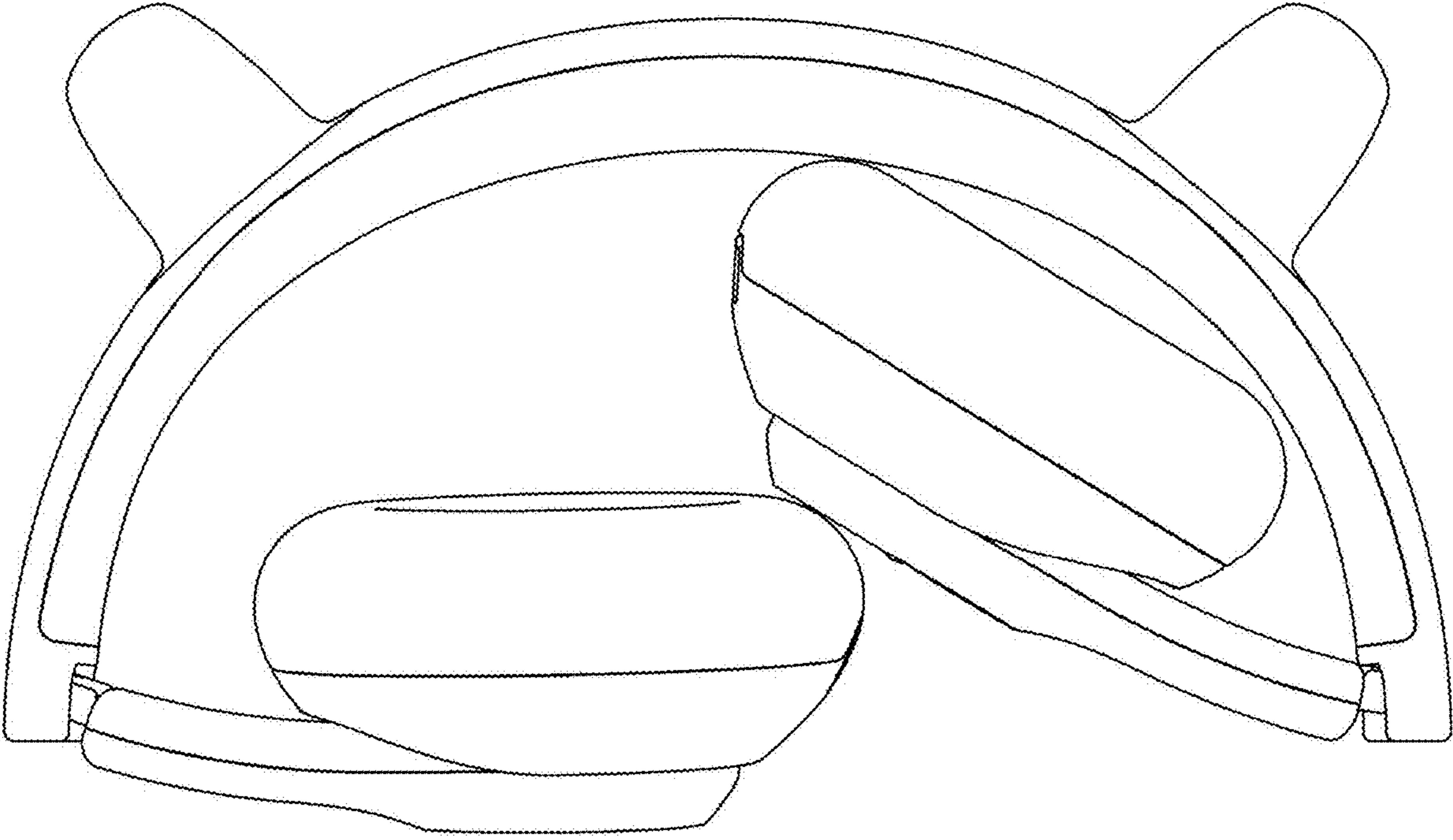
1.1



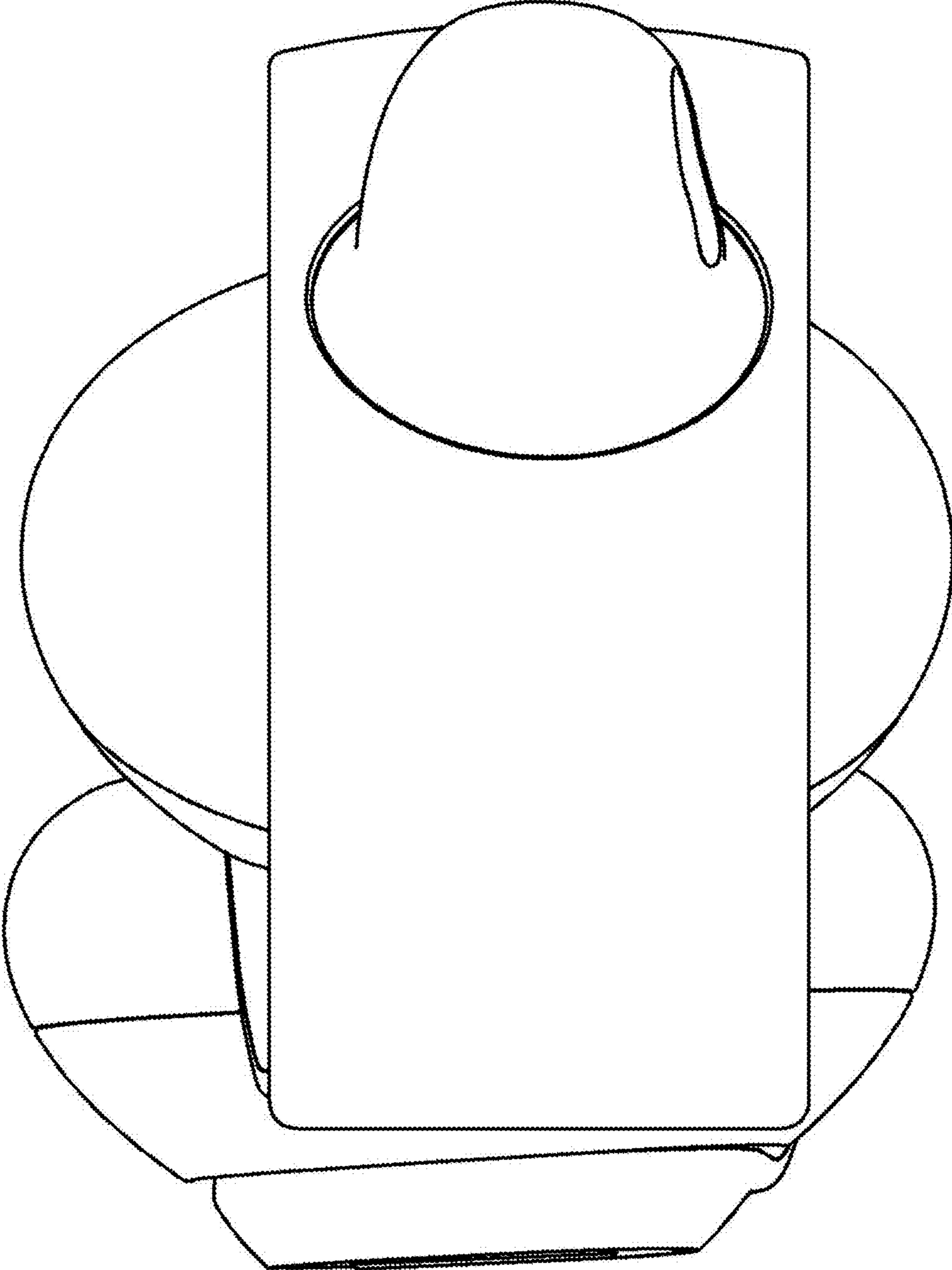
1.2



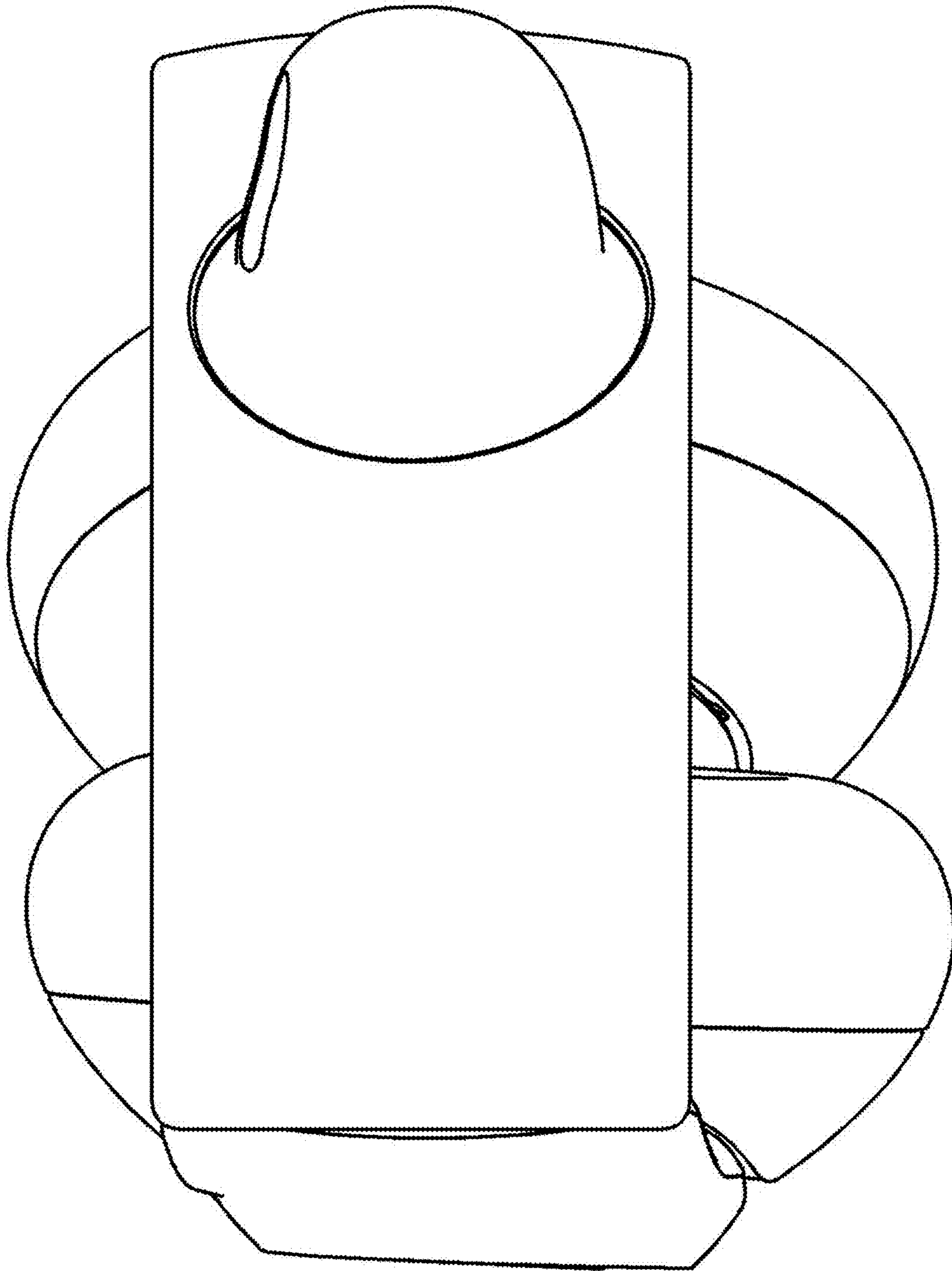
1.3



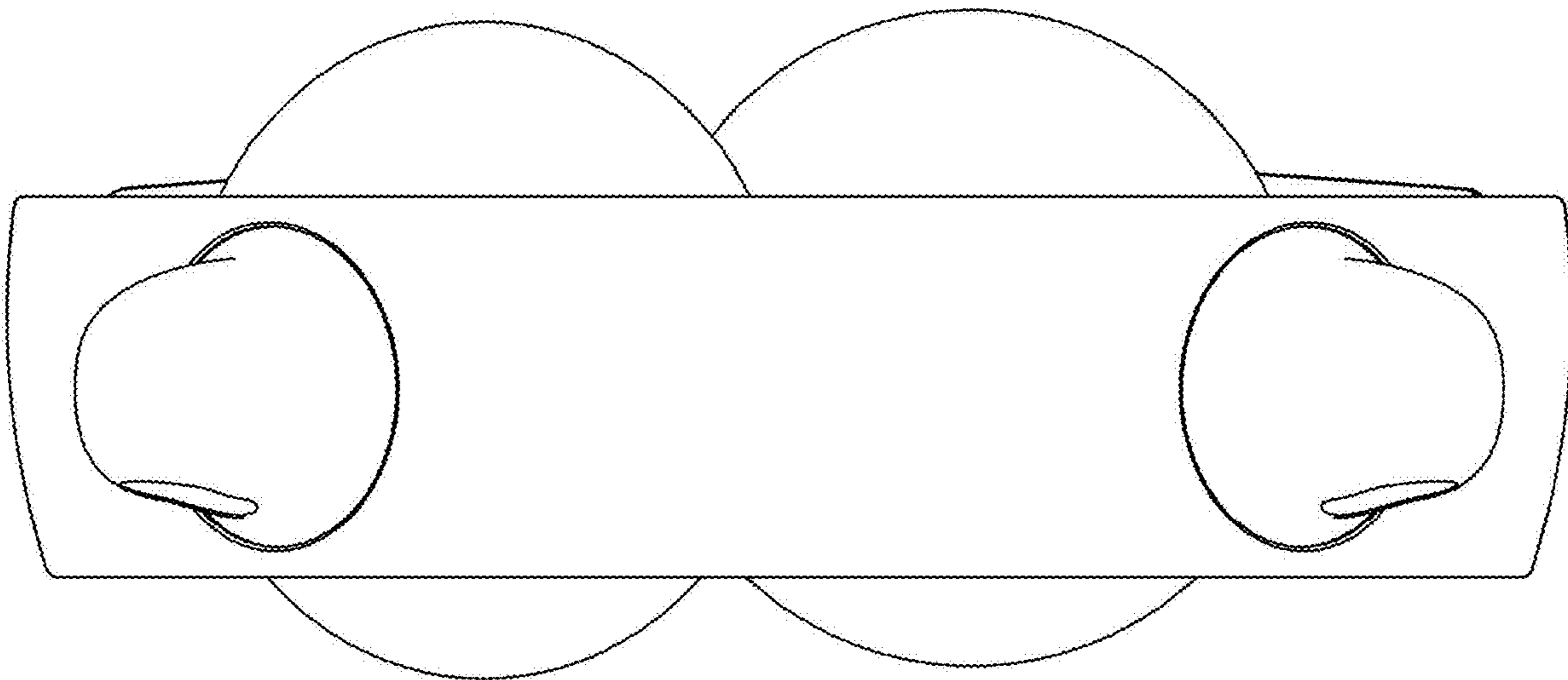
1.4



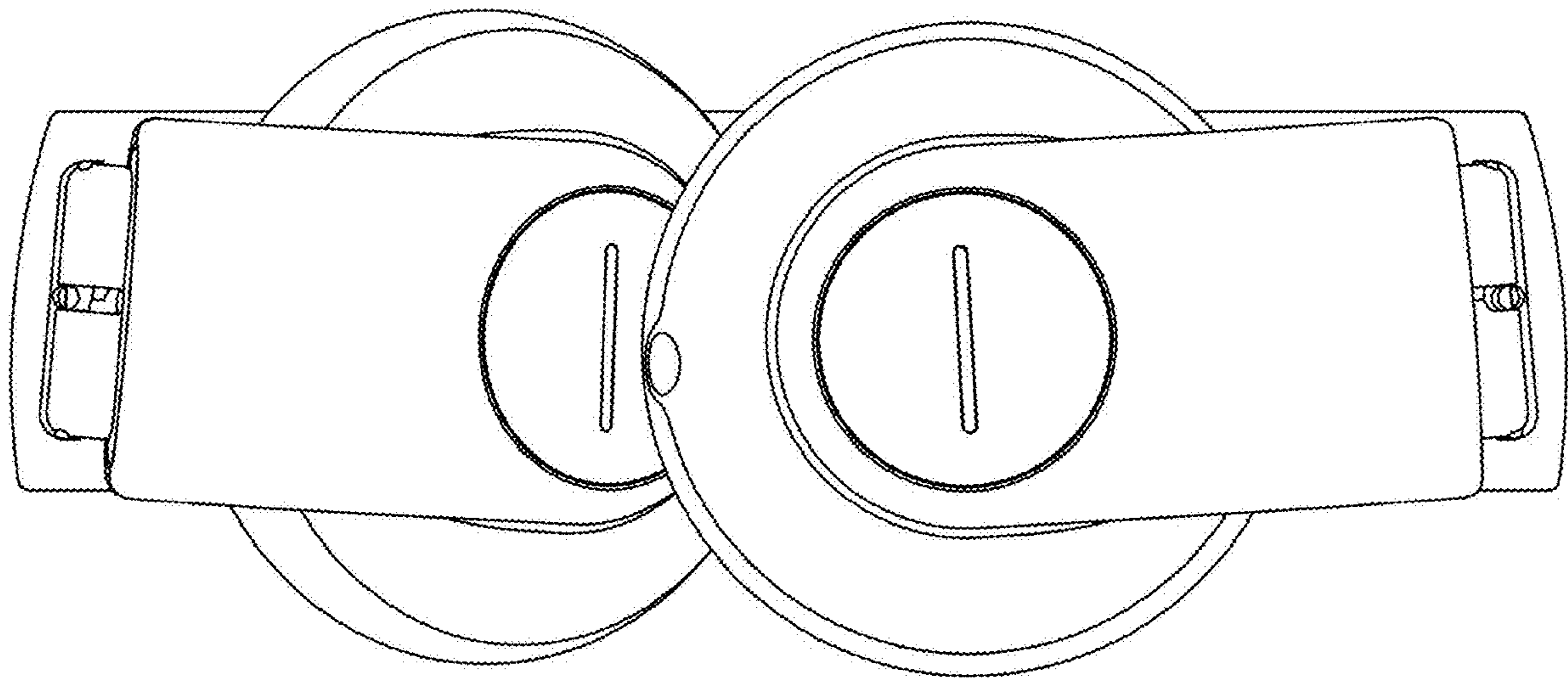
1.5



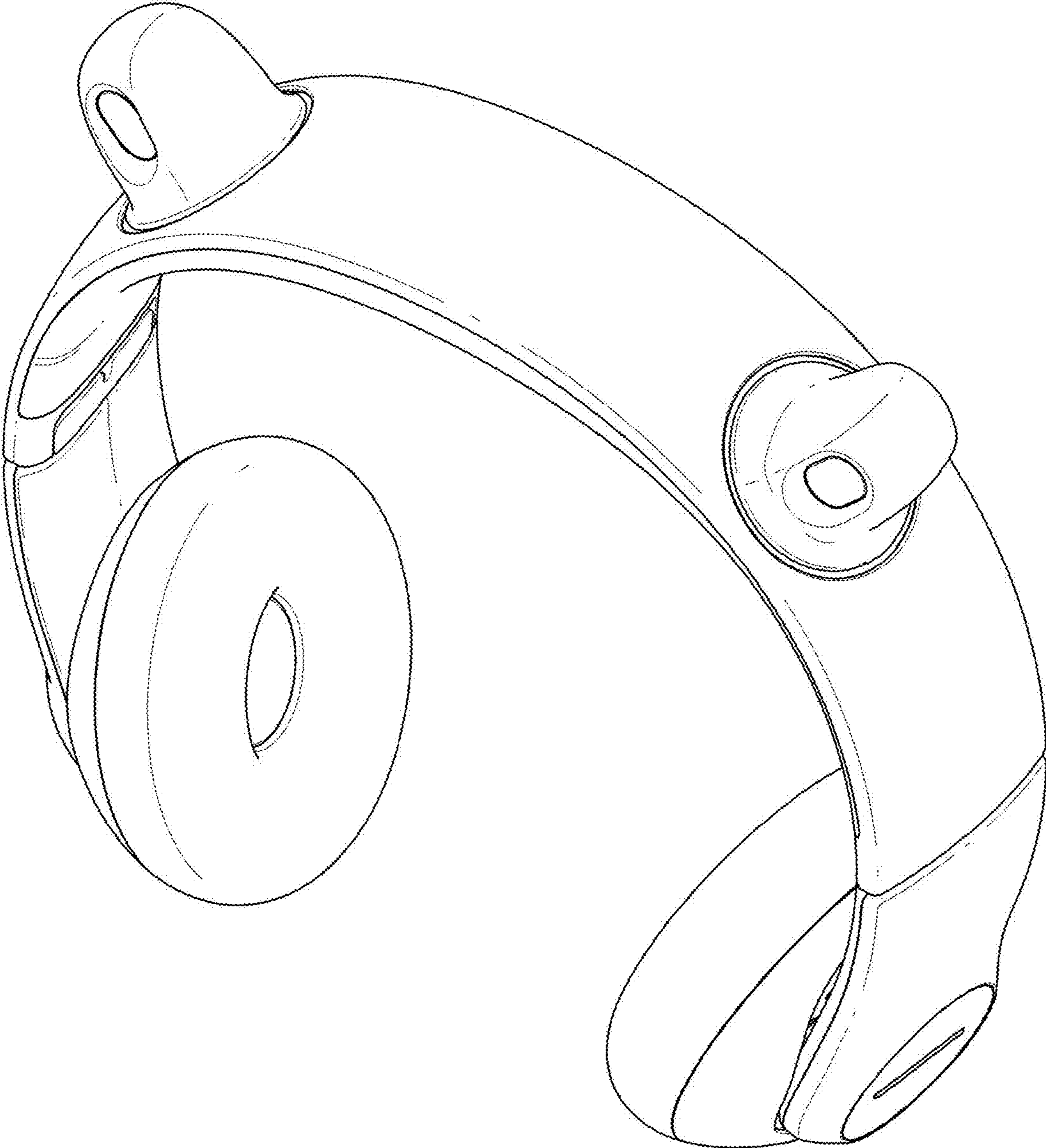
1.6



1.7



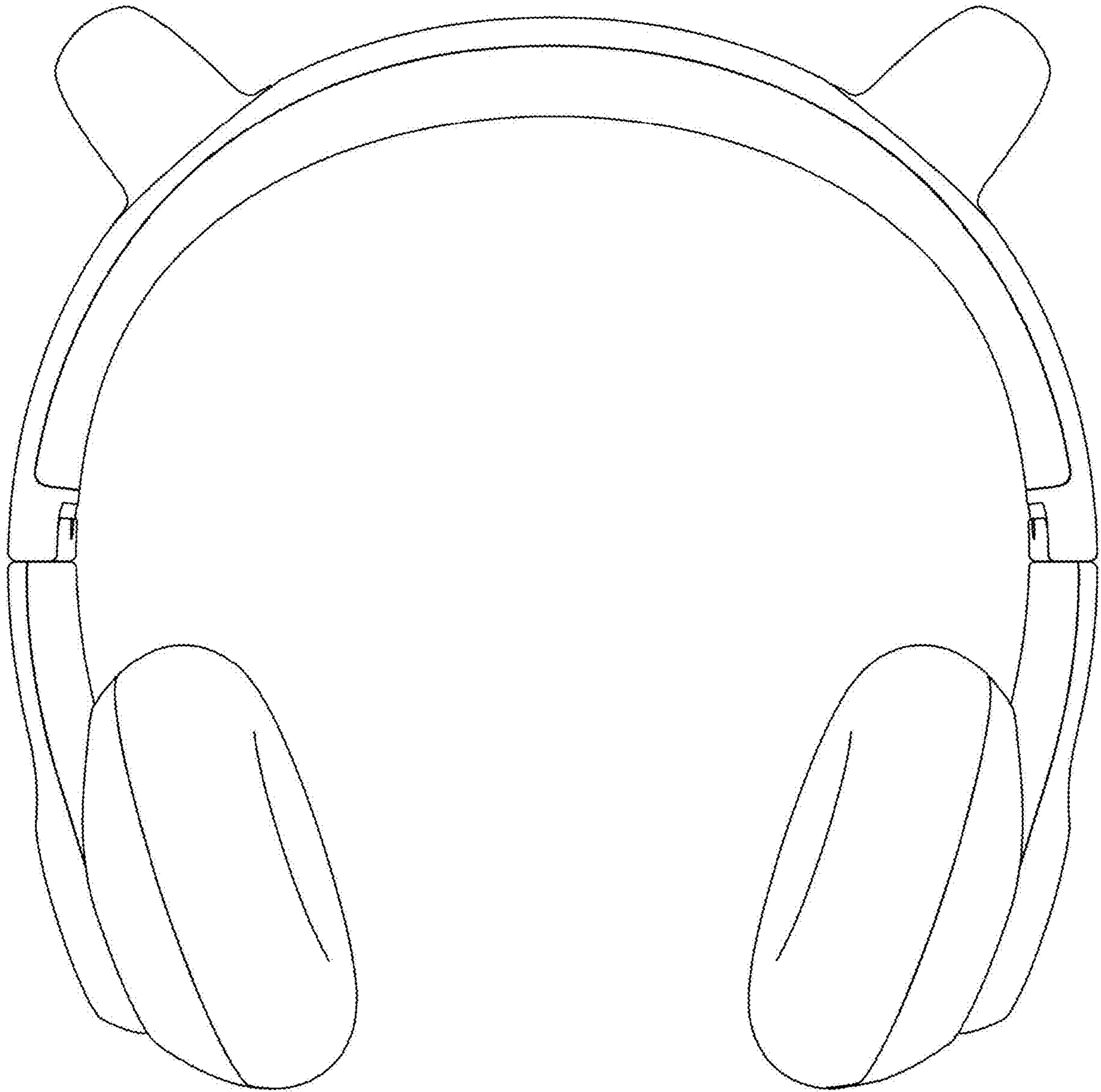
1.8



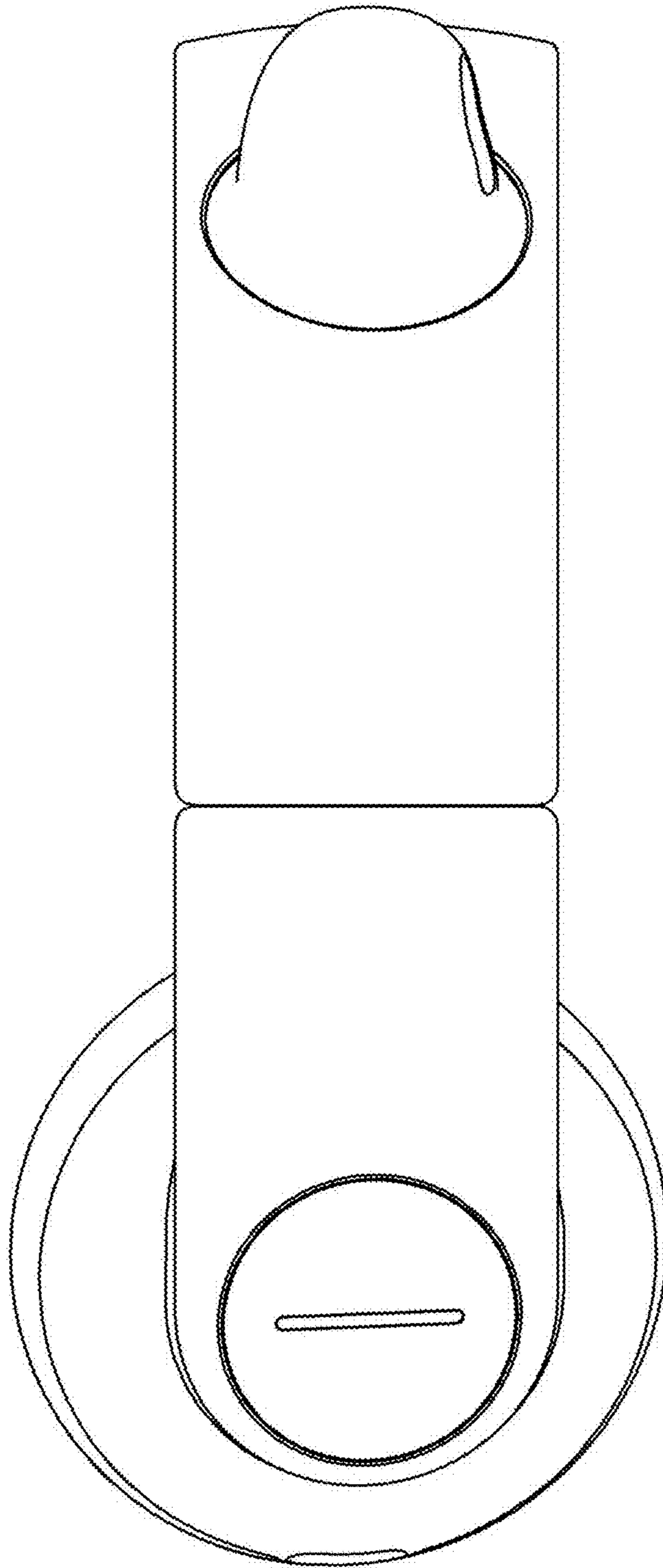
1.9



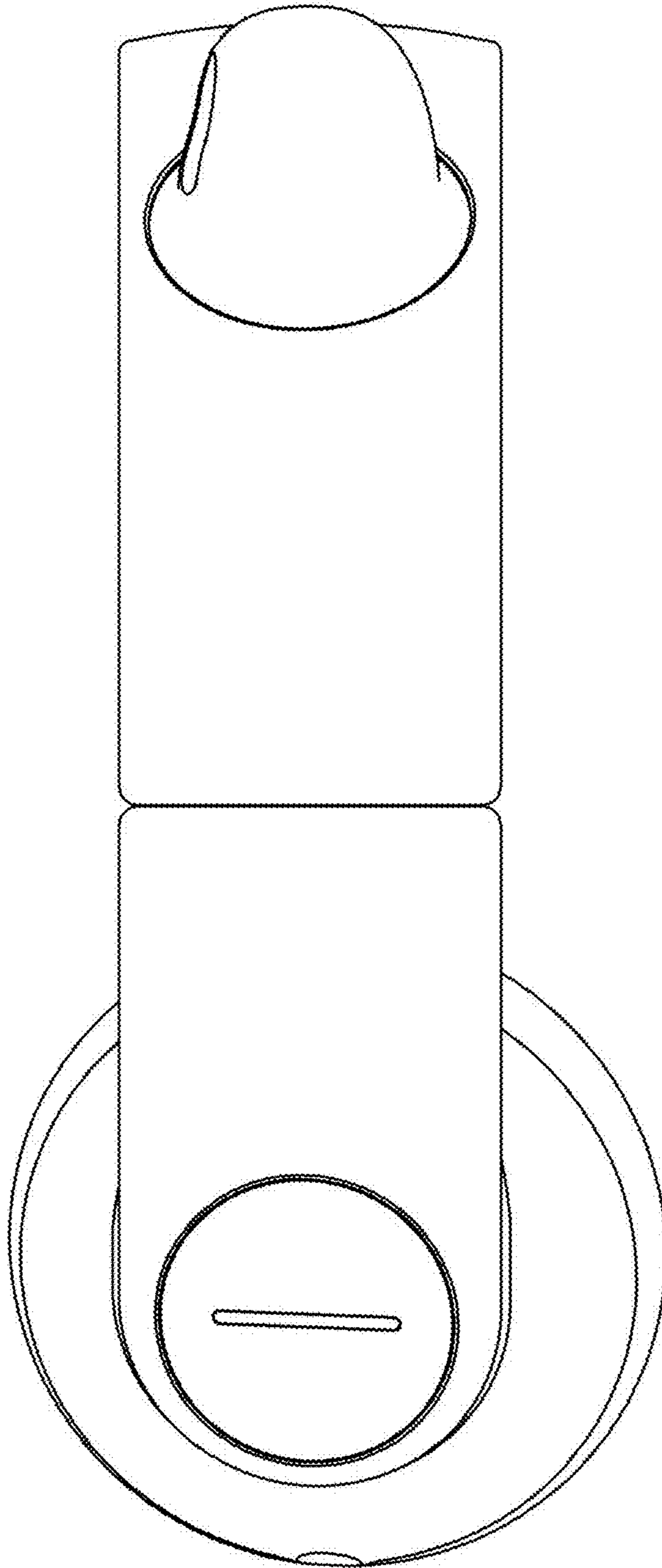
1.10



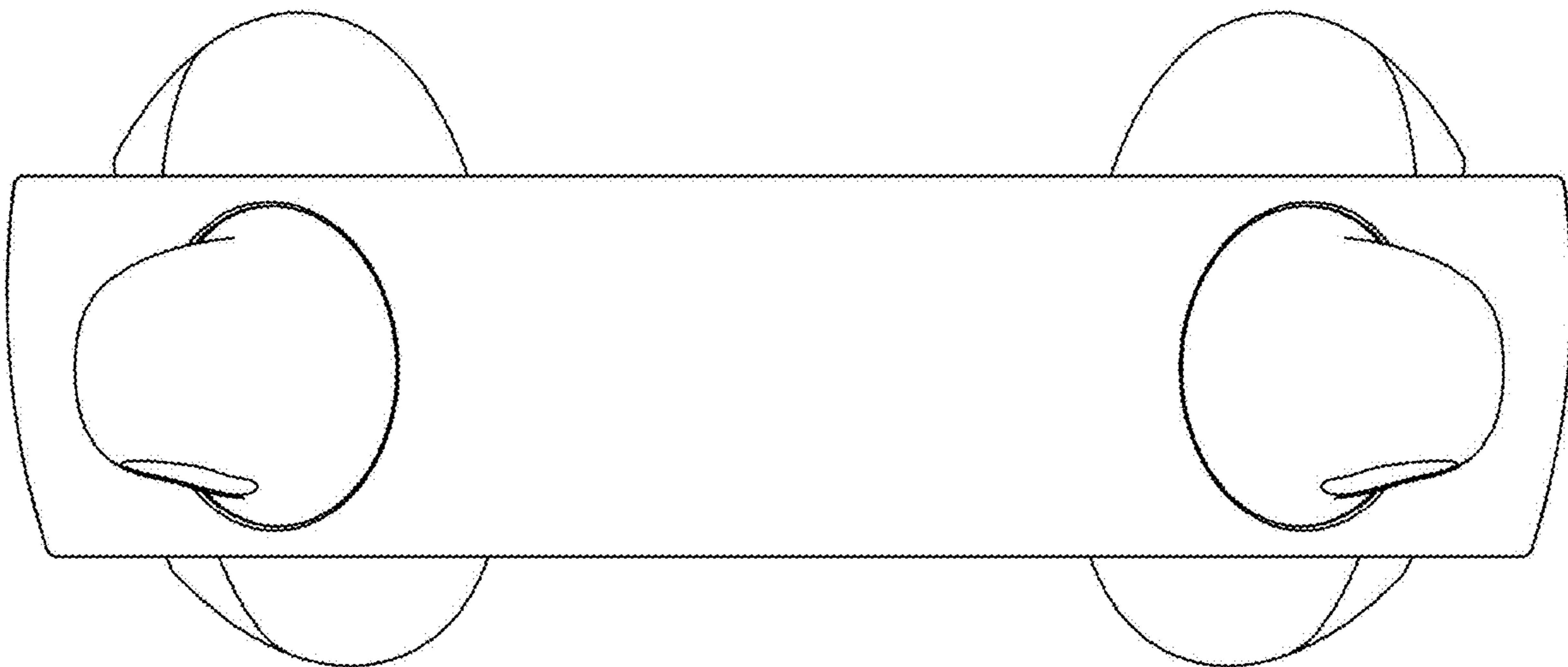
1.11



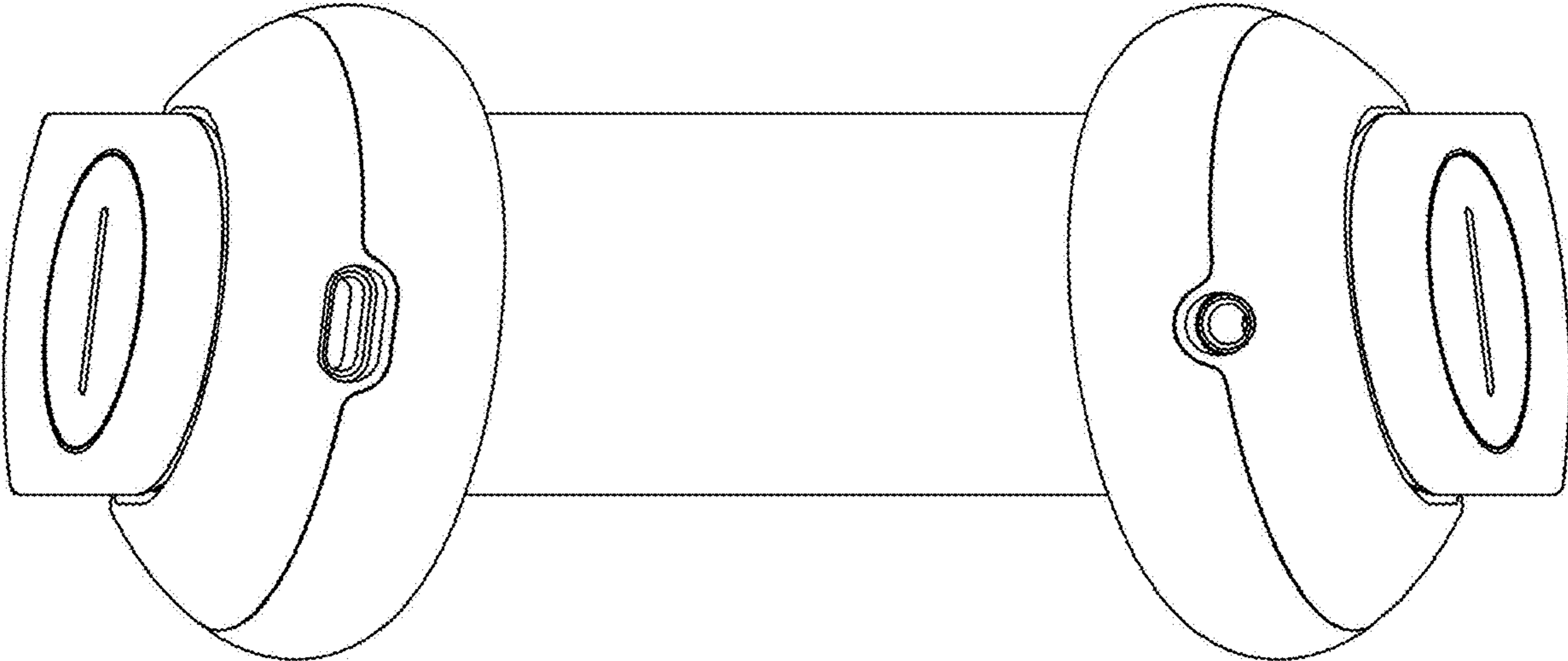
1.12



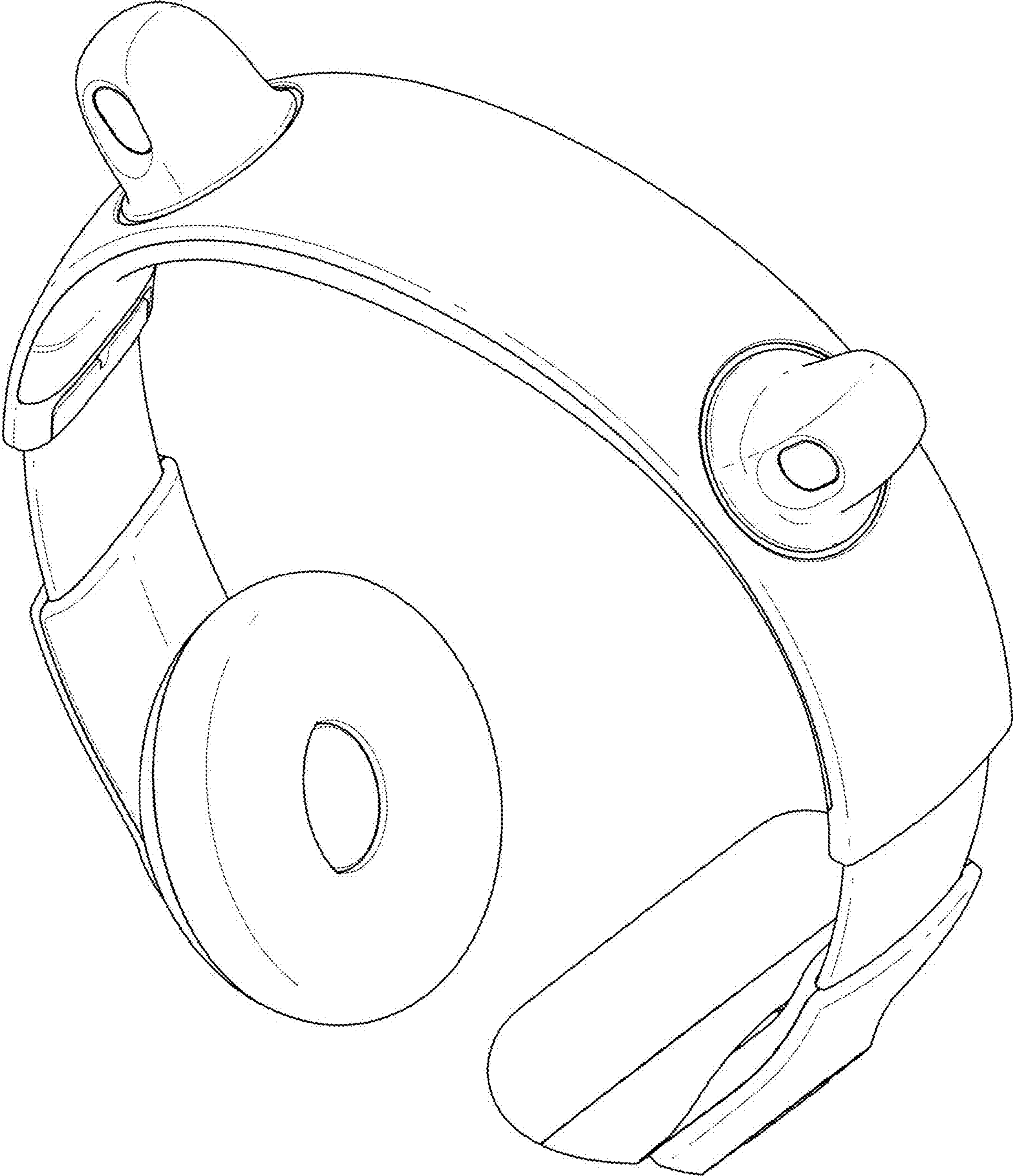
1.13



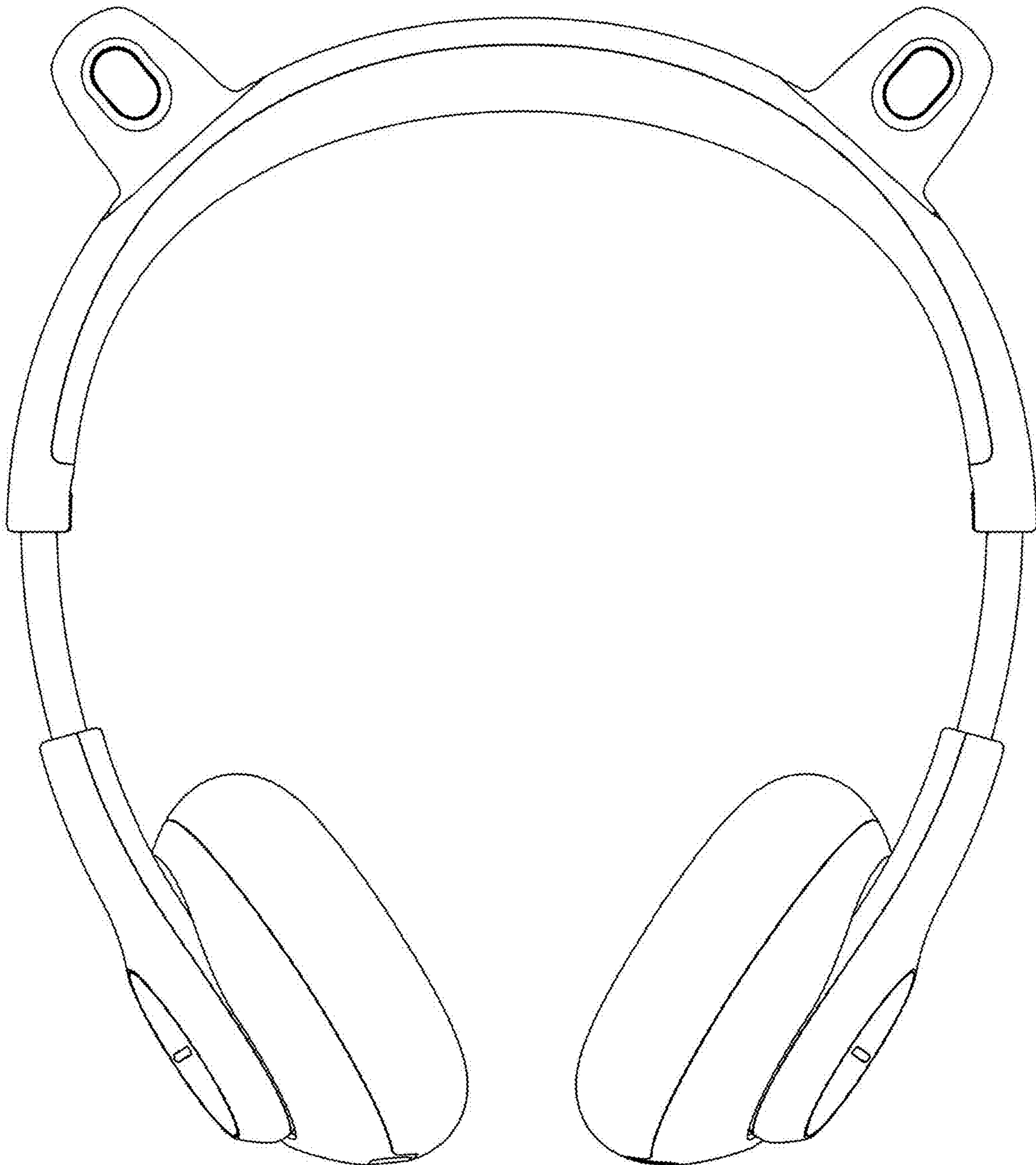
1.14



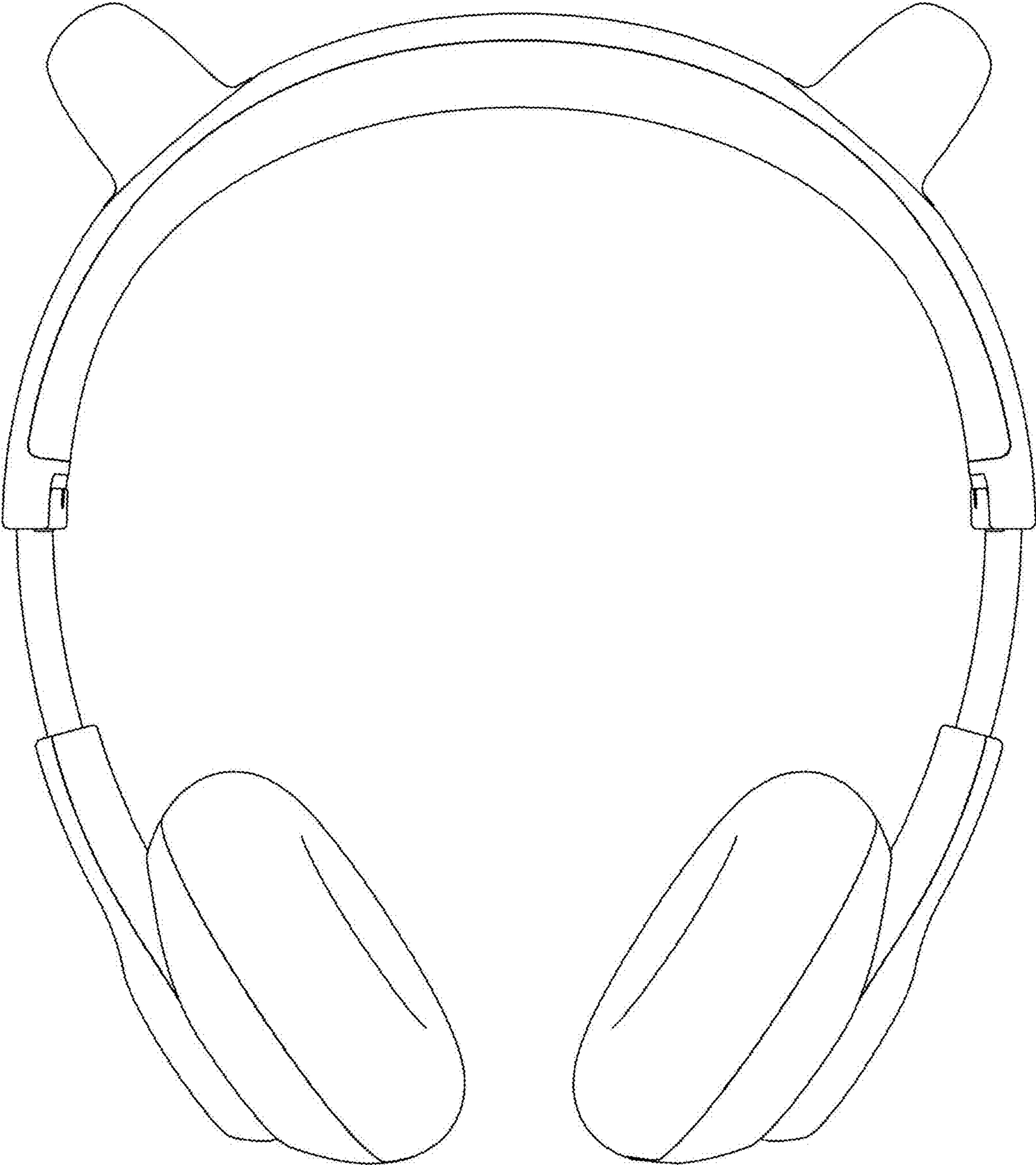
1.15



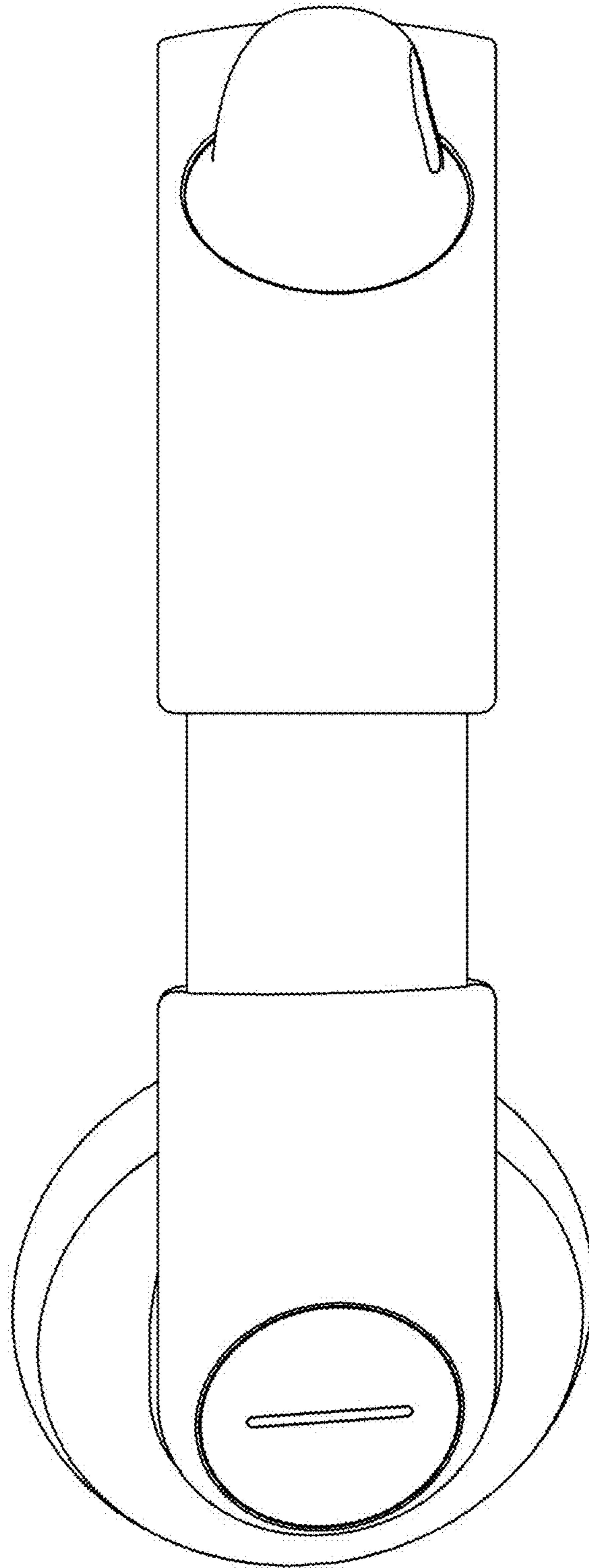
1.16



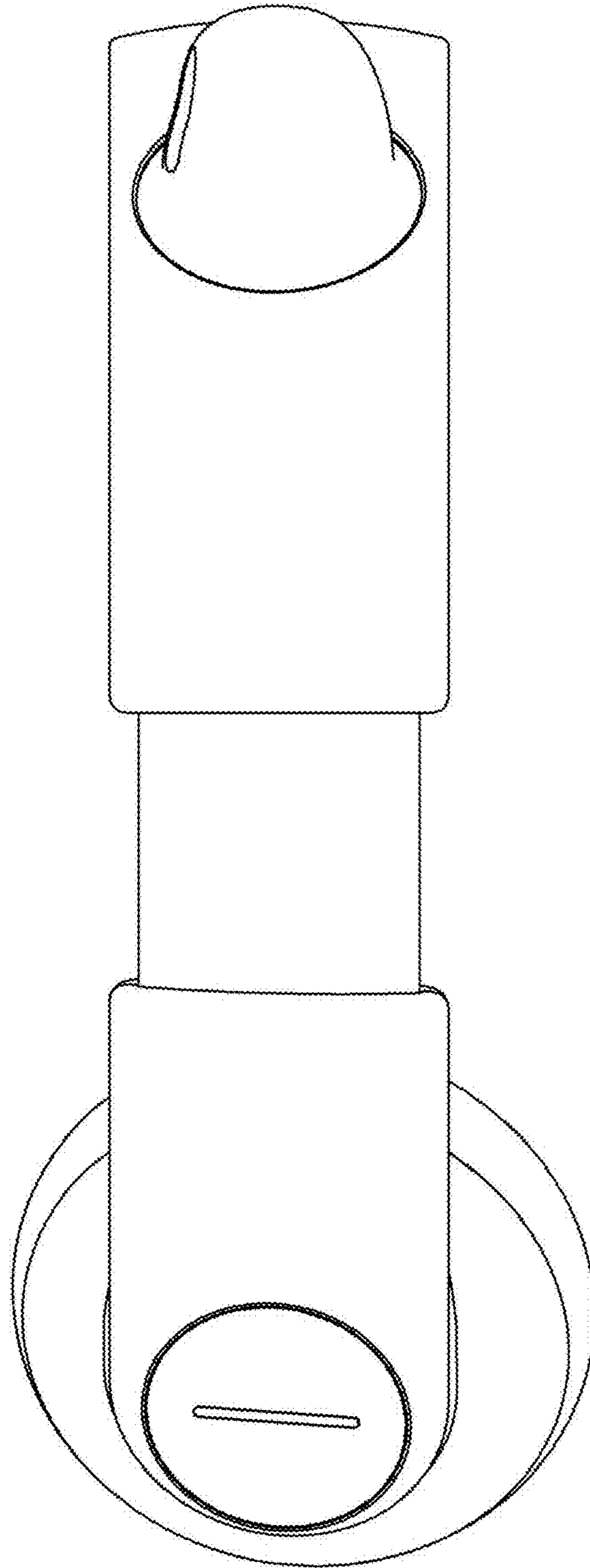
1.17



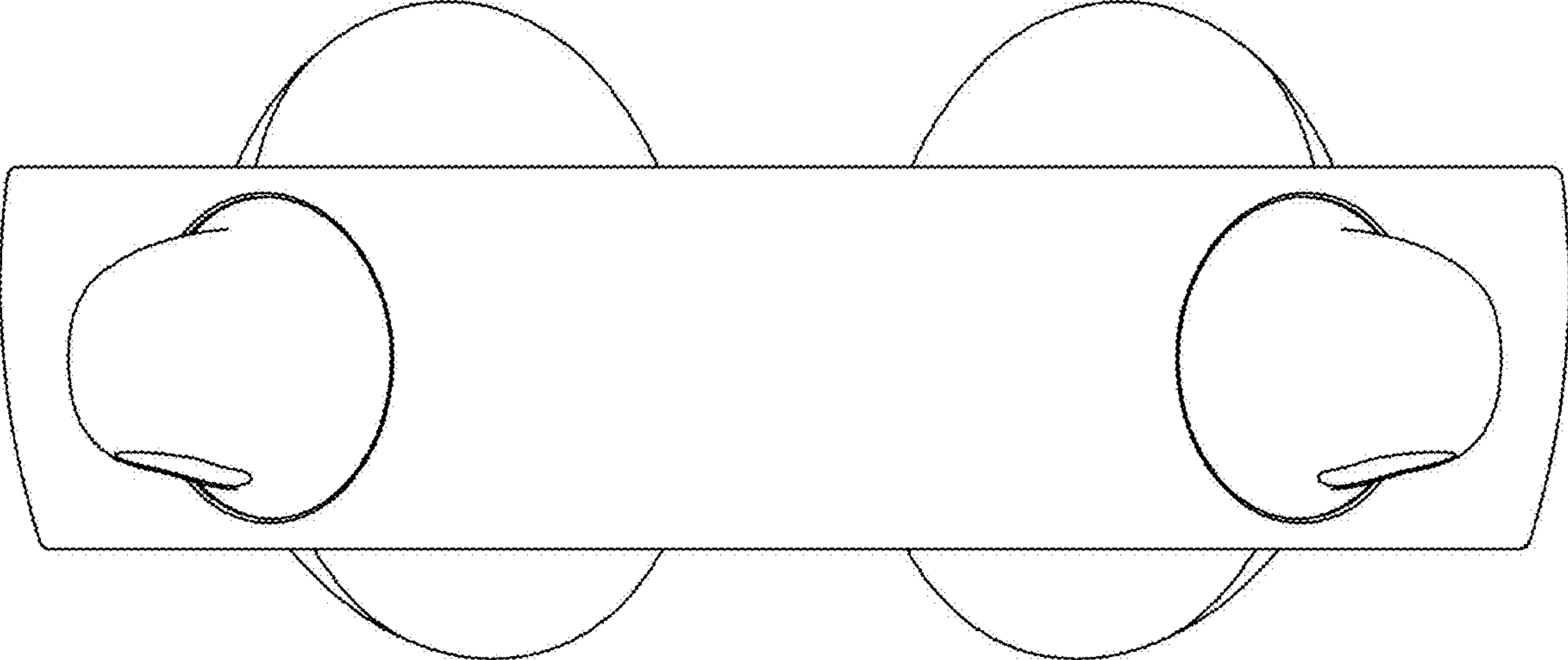
1.18



1.19



1.20



1.21

