



US00D926153S

(12) **United States Design Patent** (10) **Patent No.:** **US D926,153 S**
Yan (45) **Date of Patent:** **** Jul. 27, 2021**

- (54) **WIRELESS HEADSET**
- (71) Applicant: **SHENZHEN FUSHIKE ELECTRONIC CO., LTD**, Shenzhen (CN)
- (72) Inventor: **Xiaohuang Yan**, Shenzhen (CN)
- (73) Assignee: **SHENZHEN FUSHIKE ELECTRONIC CO., LTD**, Shenzhen (CN)
- (**) Term: **15 Years**
- (21) Appl. No.: **29/728,511**
- (22) Filed: **Mar. 19, 2020**
- (51) **LOC (13) Cl.** **14-01**
- (52) **U.S. Cl.**
USPC **D14/206**; D14/226
- (58) **Field of Classification Search**
USPC D14/206, 205, 226; D24/174; 128/864, 128/865, 866; 381/380, 381, 370, 374; 455/90.3, 575.1, 569.1
CPC H04R 25/00; H04R 1/10; H04R 1/105; H04R 1/1066; H04R 1/1016; H04R 5/033; H04R 5/0335; H04R 19/04; H04R 1/1083; H04R 1/08
See application file for complete search history.

- (56) **References Cited**
U.S. PATENT DOCUMENTS
2,875,543 A * 3/1959 Sylvester D06Q 1/00 428/30
2,958,148 A * 11/1960 Sylvester B44F 1/00 428/30
4,617,431 A * 10/1986 Scott H04M 1/05 181/20
5,412,736 A * 5/1995 Keliiliki H04R 1/105 381/330
D385,036 S * 10/1997 Nielsen D24/174

- D445,415 S * 7/2001 Jaakkola D14/223
- D469,081 S * 1/2003 Perszyk D14/205
- D470,121 S * 2/2003 Nguyen D14/205
- D490,398 S * 5/2004 Gwee D14/205
- D501,196 S * 1/2005 Dyer D14/205
- D504,673 S * 5/2005 Dyer D14/205
- D506,462 S * 6/2005 Han D14/205
- D510,085 S * 9/2005 Suzuki D14/223
- D512,984 S * 12/2005 Ham D14/205
- D516,216 S * 2/2006 Portmann D24/174
- D518,473 S * 4/2006 Gwee D14/205
- 7,089,042 B2 * 8/2006 Bodley H04M 1/05 381/104
- 7,106,873 B1 * 9/2006 Harrison A61N 1/36038 381/330

(Continued)

FOREIGN PATENT DOCUMENTS

- CN 304912925 * 11/2018
- CN 306289300 * 1/2021
- CN 306512039 * 5/2021

Primary Examiner — Paula Allen Greene
(74) *Attorney, Agent, or Firm* — Li & Cai Intellectual Property (USA) Office

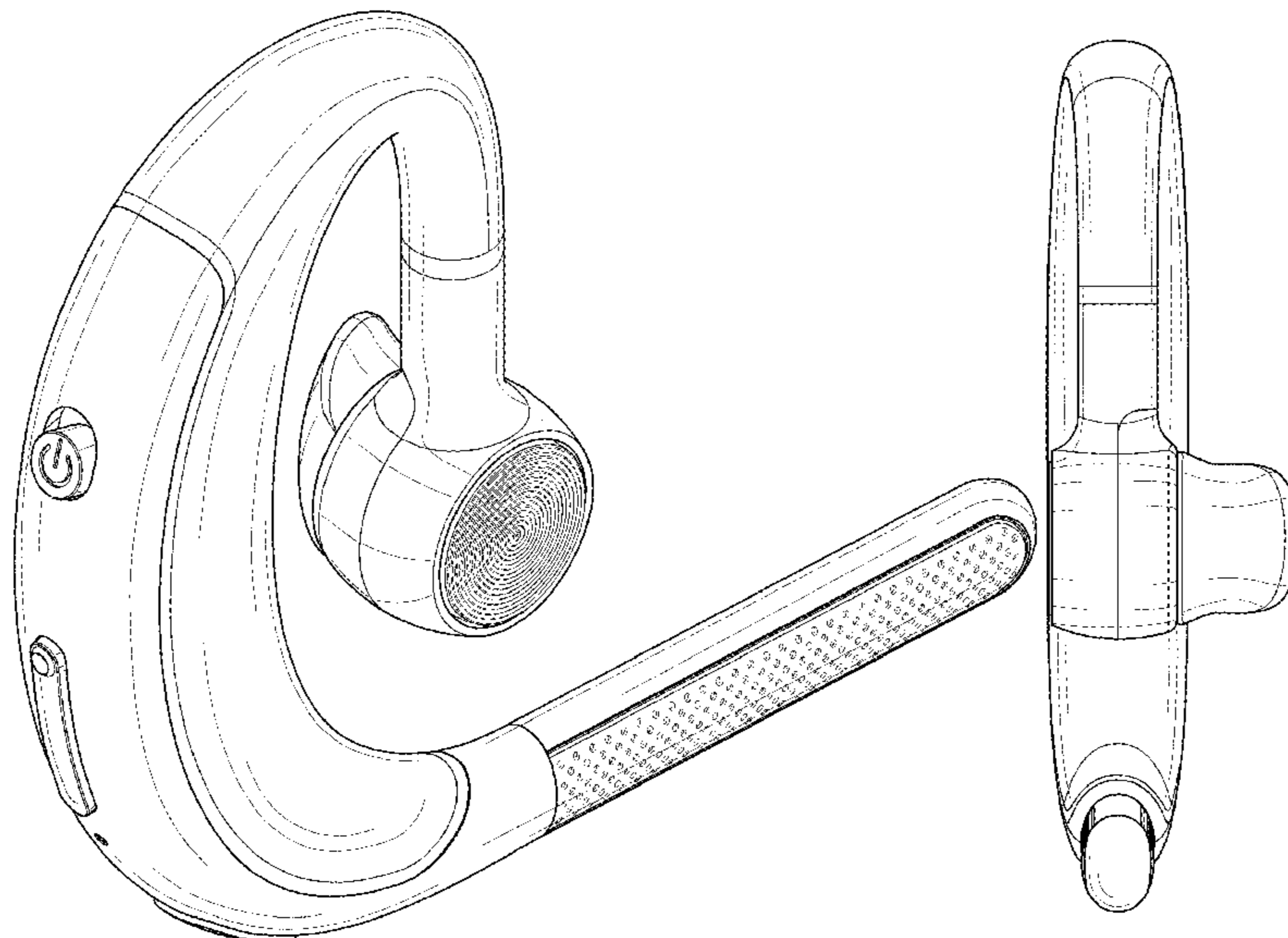
(57) **CLAIM**

The ornamental design for a wireless headset, as shown and described.

DESCRIPTION

FIG. 1 is a front top and right perspective view of a wireless headset showing my new design;
FIG. 2 is a front elevational view thereof;
FIG. 3 is a rear elevational view thereof;
FIG. 4 is a left side elevational view thereof;
FIG. 5 is a right side elevational view thereof;
FIG. 6 is a top plan view thereof; and,
FIG. 7 is a bottom plan view thereof.
The broken lines in the drawing depict portions of the wireless headset that form no part of the claimed design.

1 Claim, 7 Drawing Sheets



(56)

References Cited

U.S. PATENT DOCUMENTS

D541,787 S * 5/2007 Ma D14/205
 D543,968 S * 6/2007 Wong D14/205
 D557,255 S * 12/2007 Shintani D14/206
 D571,784 S * 6/2008 Jensen D14/205
 D572,234 S * 7/2008 Reda D14/205
 D584,719 S * 1/2009 Brennwald D14/205
 D586,329 S * 2/2009 Birger D14/205
 D603,372 S * 11/2009 Bentley D14/206
 7,648,005 B2 * 1/2010 Leong A61F 11/08
 181/135
 D612,835 S * 3/2010 Yang D14/206
 D625,297 S * 10/2010 Tseng D14/223
 D635,960 S * 4/2011 Gondo D14/223
 D647,877 S * 11/2011 Son D14/206
 8,061,473 B1 * 11/2011 Kerr A61F 11/008
 181/135
 D651,197 S * 12/2011 Birger D14/223
 D657,347 S * 4/2012 Chung D14/206
 8,265,328 B2 * 9/2012 Milde H04R 1/1066
 381/381
 D671,913 S * 12/2012 Warden D14/204
 8,374,370 B2 * 2/2013 Zhang A61B 5/121
 381/330
 D681,003 S * 4/2013 Ham D14/206
 D681,014 S * 4/2013 Ham D14/223
 D695,719 S * 12/2013 Burgett D14/223

D713,385 S * 9/2014 Burgett D14/223
 D726,147 S * 4/2015 Tran D14/206
 9,031,275 B2 * 5/2015 Brodsgaard H04R 1/1066
 381/374
 D746,260 S * 12/2015 Goransson D14/206
 D750,043 S * 2/2016 Birger D14/206
 D755,159 S * 5/2016 Birger D14/206
 D775,610 S * 1/2017 Nakajima D14/223
 D784,291 S * 4/2017 Paterson D14/206
 D789,331 S * 6/2017 Paterson D14/225
 D793,360 S * 8/2017 Birger D14/206
 D797,076 S * 9/2017 Zhang D14/206
 D800,692 S * 10/2017 Tan D14/206
 D804,035 S * 11/2017 Gabathuler D24/174
 D809,486 S * 2/2018 Arimoto D14/223
 D812,040 S * 3/2018 Yan D14/206
 D816,637 S * 5/2018 Hardi D14/205
 D828,327 S * 9/2018 Birger D14/206
 D830,337 S * 10/2018 Yan D14/206
 D851,065 S * 6/2019 Yan D14/206
 D879,067 S * 3/2020 Hu D14/205
 D879,068 S * 3/2020 Yan D14/206
 D900,784 S * 11/2020 Yan D14/206
 D913,263 S * 3/2021 Yang D14/206
 2015/0237434 A1 * 8/2015 Tran H04R 1/1008
 381/380
 2016/0181718 A1 * 6/2016 Kann H01R 13/447
 381/91

* cited by examiner

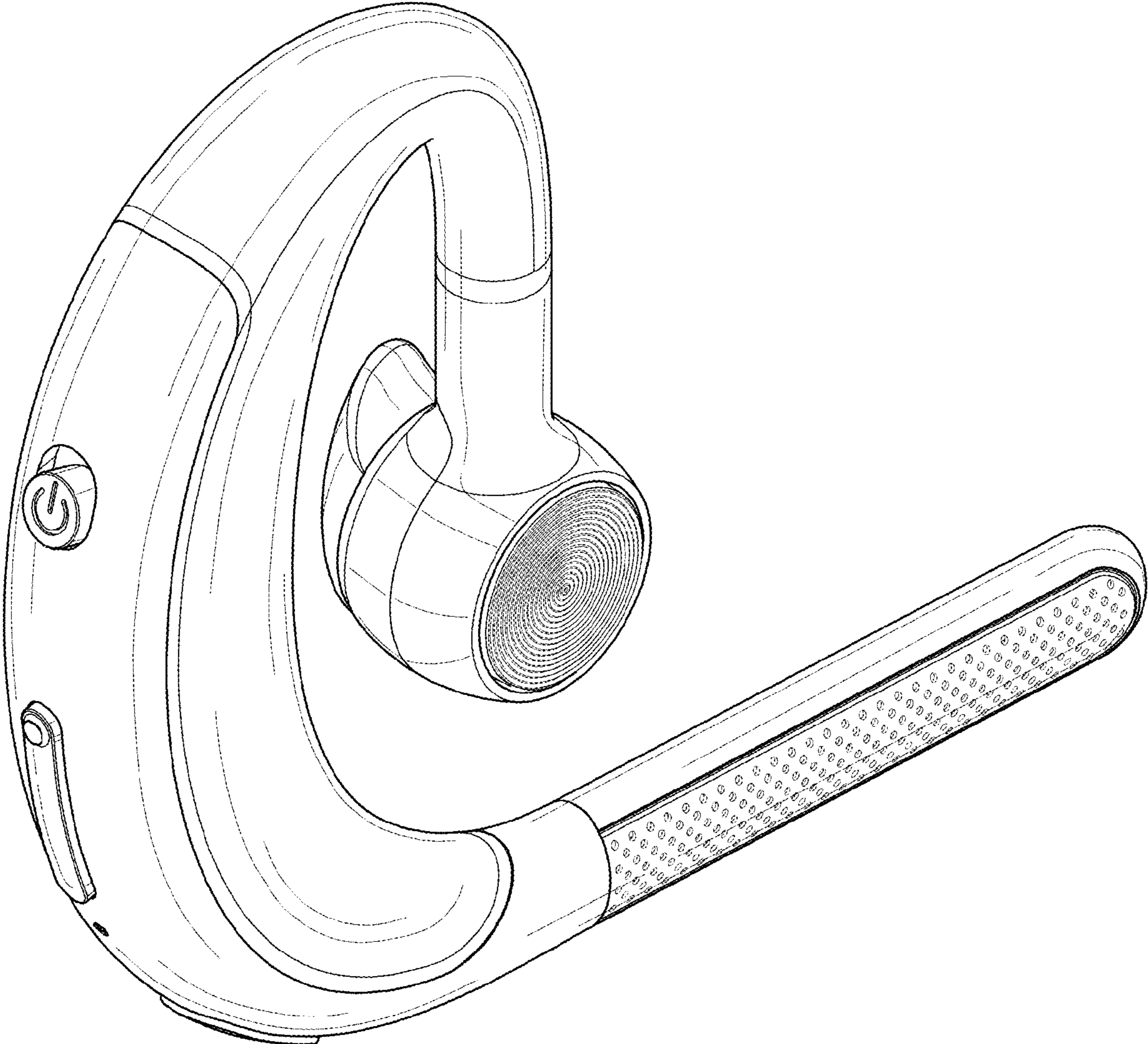


FIG. 1

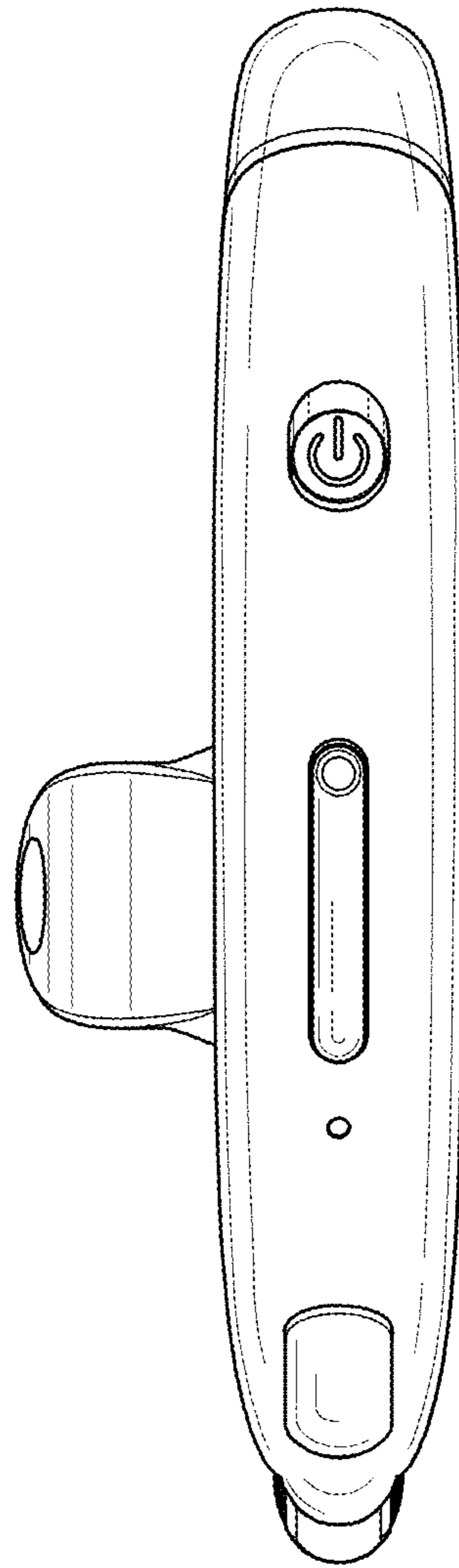


FIG. 2

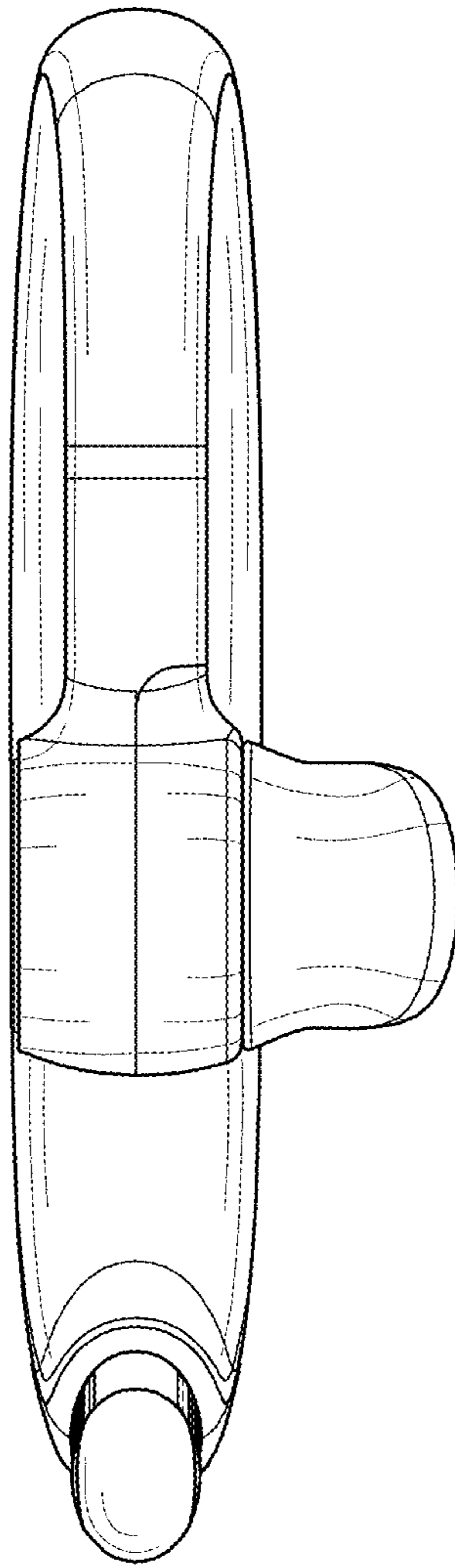


FIG. 3

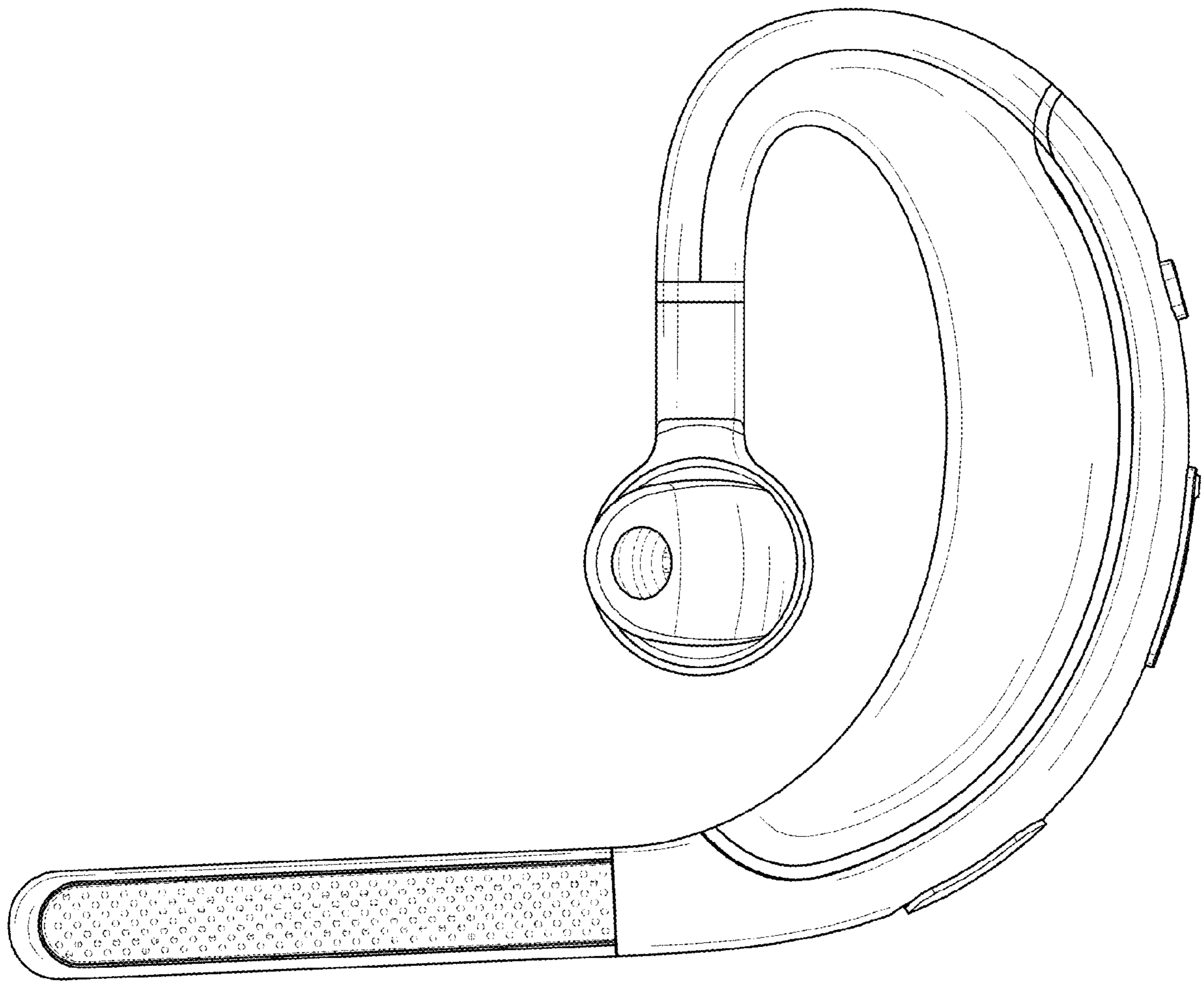


FIG. 4

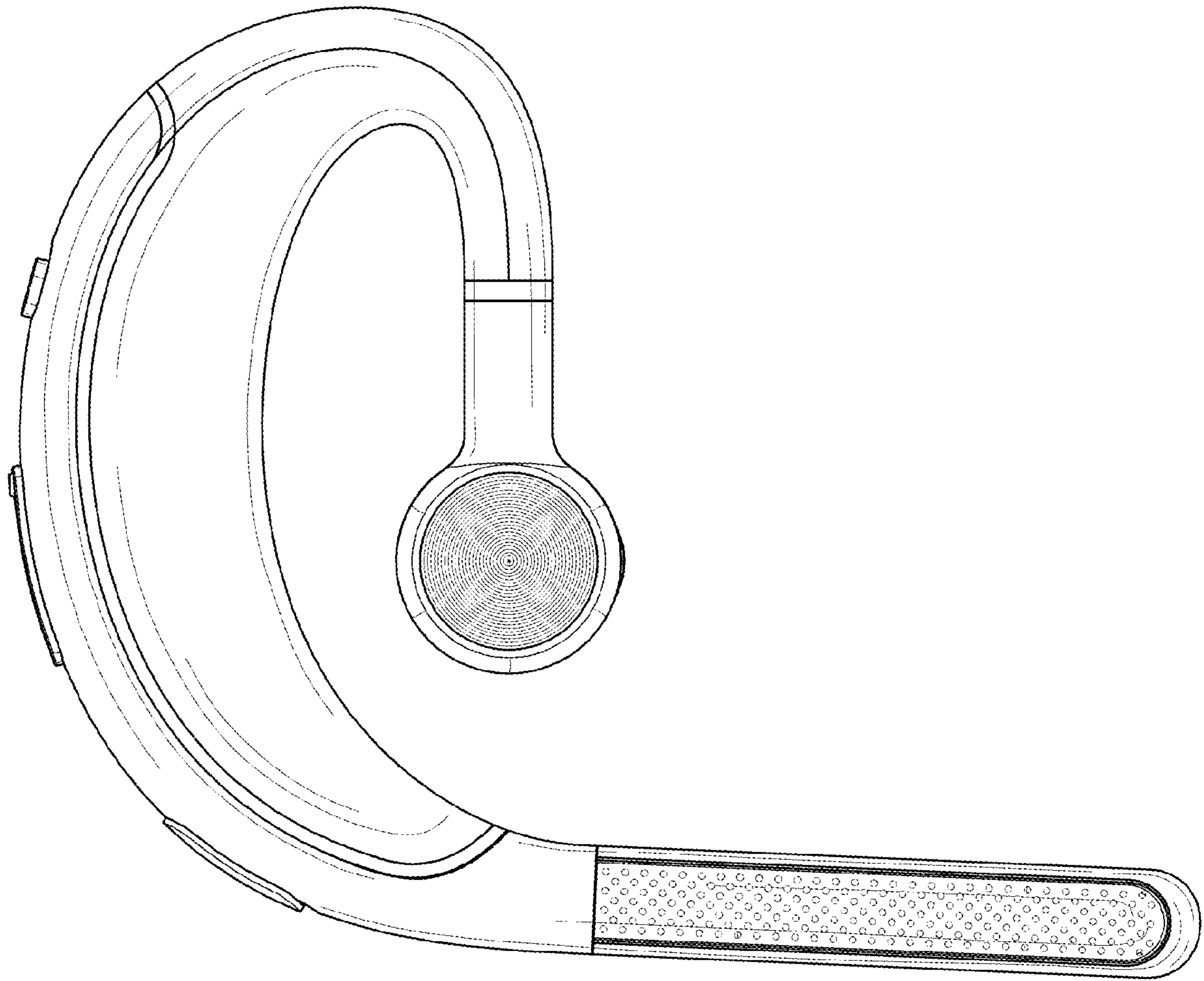


FIG. 5

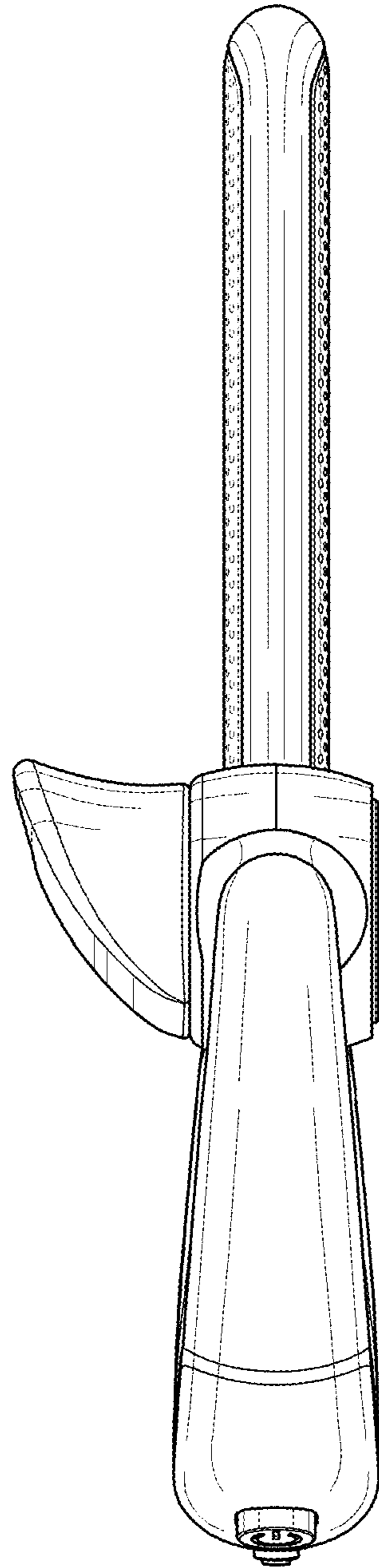


FIG. 6

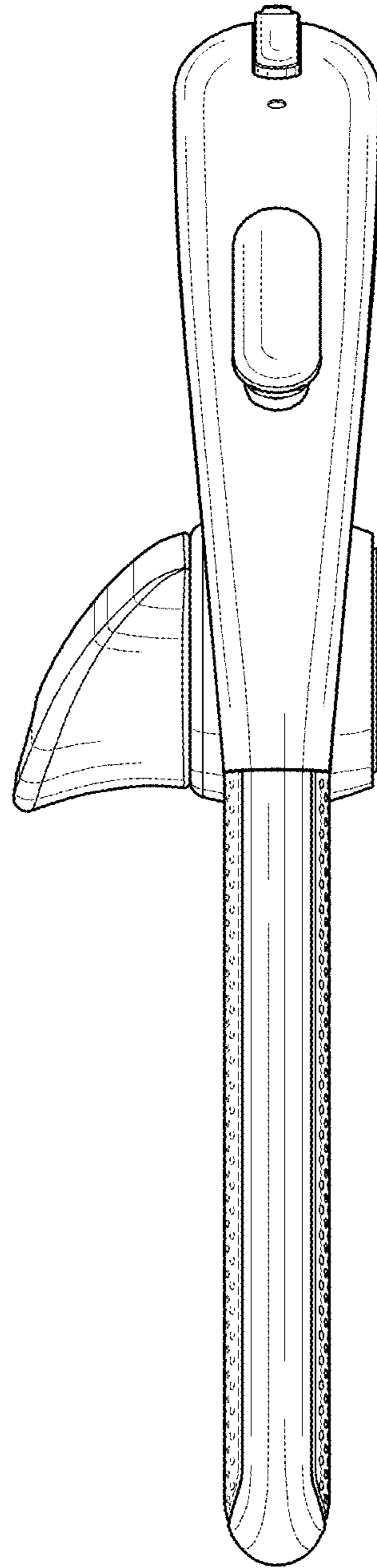


FIG. 7