



US00D926152S

(12) **United States Design Patent** (10) **Patent No.:** **US D926,152 S**
Yan (45) **Date of Patent:** **** Jul. 27, 2021**

(54) **WIRELESS HEADSET**
(71) Applicant: **SHENZHEN FUSHIKE ELECTRONIC CO., LTD**, Shenzhen (CN)
(72) Inventor: **Xiaohuang Yan**, Fuzhou (CN)
(73) Assignee: **SHENZHEN FUSHIKE ELECTRONIC CO., LTD**, Shenzhen (CN)
(**) Term: **15 Years**
(21) Appl. No.: **29/714,324**
(22) Filed: **Nov. 22, 2019**
(51) **LOC (13) Cl.** **14-01**
(52) **U.S. Cl.**
USPC **D14/206**; D14/226
(58) **Field of Classification Search**
USPC D14/206, 205, 226; D24/174; 128/864, 128/865, 866; 381/380, 381, 370, 374; 455/90.3, 575.1, 569.1
CPC H04R 25/00; H04R 1/10; H04R 1/105; H04R 1/1066; H04R 1/1016; H04R 5/033; H04R 5/0335; H04R 19/04; H04R 1/1083; H04R 1/08
See application file for complete search history.

D451,907 S * 12/2001 Amae D14/206
D452,857 S * 1/2002 Hong D14/206
D455,417 S * 4/2002 Bey D14/206
D457,635 S * 5/2002 Dittli D24/174
D458,247 S * 6/2002 Davies D14/206
D463,784 S * 10/2002 Taylor D14/206
D464,943 S * 10/2002 Lai D14/206
D464,951 S * 10/2002 Skulley D14/142
(Continued)

FOREIGN PATENT DOCUMENTS

CN 305706812 * 4/2020

OTHER PUBLICATIONS

Bluetooth Headset 5.0, Beshoop 16 Hrs Talktime retrieved May 21, 2021, retrieved from the internet, <https://www.amazon.co.uk/Bluetooth-Talktime-Earpiece-Cancelling-Earphones/dp/B07ZV> (Year: 2021).*

Primary Examiner — Paula Allen Greene
(74) *Attorney, Agent, or Firm* — Li & Cai Intellectual Property (USA) Office

(57) **CLAIM**

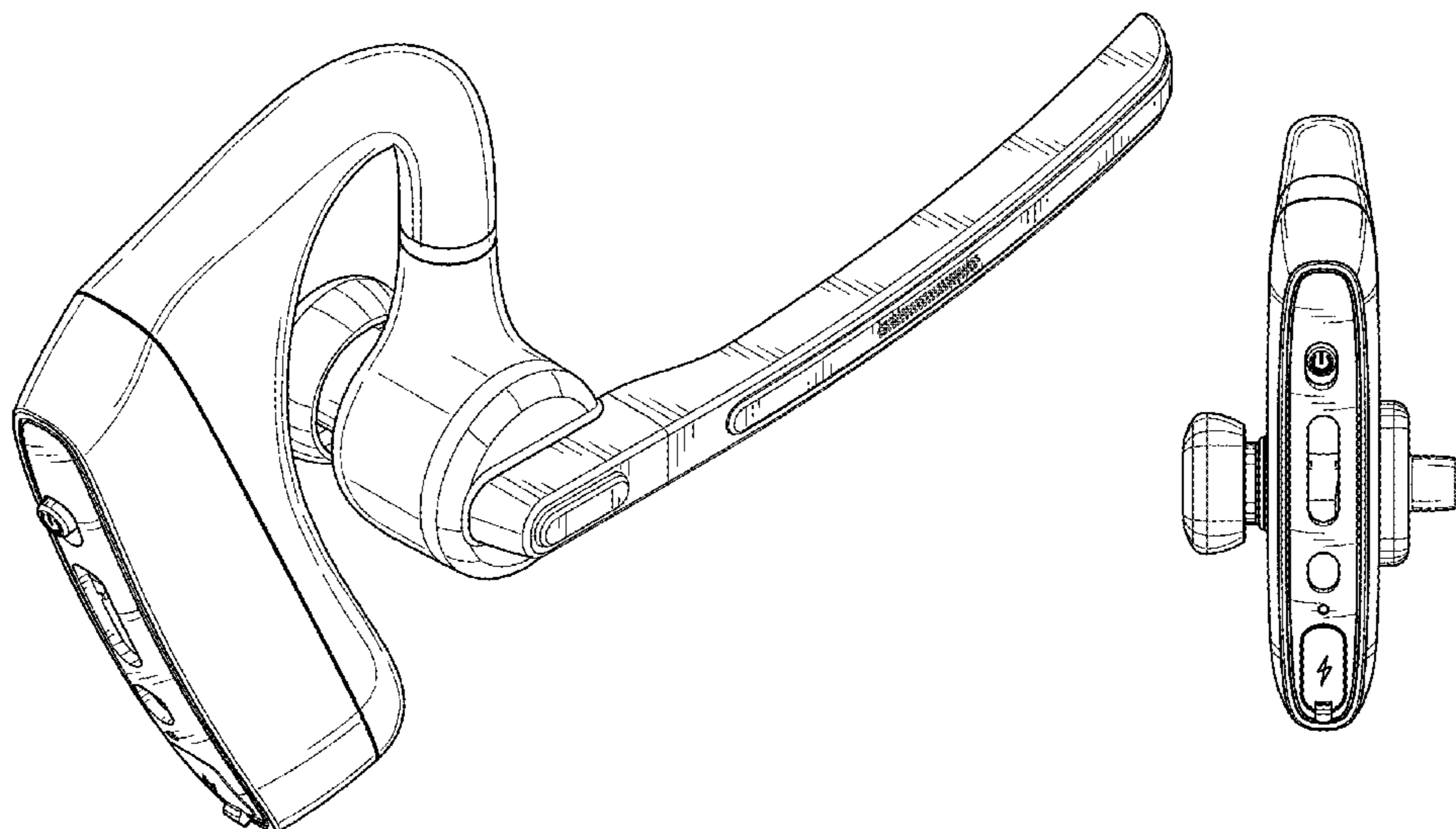
The ornamental design for a wireless headset, as shown and described.

DESCRIPTION

FIG. 1 is a front, top and right perspective view of a wireless headset showing my new design;
FIG. 2 is a front elevational view thereof;
FIG. 3 is a rear elevational view thereof;
FIG. 4 is a left side elevational view thereof;
FIG. 5 is a right side elevational view thereof;
FIG. 6 is a top plan view thereof; and,
FIG. 7 is a bottom plan view thereof.
The broken lines depict portions of the wireless headset in which the design is embodied that forms no part of the claimed design.

1 Claim, 7 Drawing Sheets

(56) **References Cited**
U.S. PATENT DOCUMENTS
D251,234 S * 3/1979 Hakansson D10/46
D295,403 S * 4/1988 Oleson D14/225
D354,568 S * 1/1995 Araki D24/174
D357,477 S * 4/1995 Mueller D14/206
D384,958 S * 10/1997 Shudo D14/206
D385,036 S * 10/1997 Nielsen D24/174
D439,890 S * 4/2001 Skulley D14/206
D447,472 S * 9/2001 McGugan D14/225
D447,473 S * 9/2001 Chuang D13/151
D447,743 S * 9/2001 Ma D14/223
D449,290 S * 10/2001 Taylor D14/206



(56)

References Cited

U.S. PATENT DOCUMENTS

D468,721 S *	1/2003	Nguyen	D14/205	D612,835 S *	3/2010	Yang	D14/206
D469,081 S *	1/2003	Perszyk	D14/205	D612,840 S *	3/2010	Yang	D14/223
D470,121 S *	2/2003	Nguyen	D14/205	D647,877 S *	11/2011	Son	D14/206
D470,478 S *	2/2003	Kohli	D14/223	D653,649 S *	2/2012	Yang	D14/206
D474,171 S *	5/2003	Suzuki	D14/206	D657,347 S *	4/2012	Chung	D14/206
D474,178 S *	5/2003	Eroma	D14/205	D667,121 S *	9/2012	Mori	D24/174
D476,645 S *	7/2003	Padala	D14/223	D670,267 S *	11/2012	Maddern	D14/206
D477,821 S *	7/2003	Bieltvedt	D14/206	D671,915 S *	12/2012	Birger	D14/206
D480,072 S *	9/2003	Ham	D14/223	D681,002 S *	4/2013	Ham	D14/205
D490,398 S *	5/2004	Gwee	D14/205	D681,003 S *	4/2013	Ham	D14/206
D490,399 S *	5/2004	Kamo	D14/206	D681,014 S *	4/2013	Ham	D14/223
D498,227 S *	11/2004	Dyer	D14/205	8,437,860 B1 *	5/2013	Crawford	H04R 25/609 607/55
D504,419 S *	4/2005	Bey	D14/223	D705,936 S *	5/2014	Lockenwitz	D24/174
D504,673 S *	5/2005	Dyer	D14/205	D717,771 S *	11/2014	Harper	D14/223
D504,887 S *	5/2005	Skulley	D14/223	D750,043 S *	2/2016	Birger	D14/206
D505,413 S *	5/2005	Skulley	D14/223	9,307,311 B2 *	4/2016	Tran	H04R 1/105
D506,258 S *	6/2005	Nielsen	D24/174	D784,290 S *	4/2017	Paterson	D14/205
D506,462 S *	6/2005	Han	D14/205	D784,291 S *	4/2017	Paterson	D14/206
D511,156 S *	11/2005	Eroma	D14/205	D797,076 S *	9/2017	Zhang	D14/206
D512,984 S *	12/2005	Ham	D14/205	D800,692 S *	10/2017	Tan	D14/206
D515,074 S *	2/2006	Jacobson	D14/225	D804,035 S *	11/2017	Gabathuler	D24/174
D517,528 S *	3/2006	Skulley	D14/206	D812,040 S *	3/2018	Yan	D14/206
D518,473 S *	4/2006	Gwee	D14/205	D830,338 S *	10/2018	Yan	D14/206
D518,479 S *	4/2006	Skulley	D14/225	D836,599 S *	12/2018	Duan	D14/206
D519,498 S *	4/2006	Ham	D14/225	D838,688 S *	1/2019	Liu	D14/206
D520,496 S *	5/2006	Gwee	D14/205	D863,254 S *	10/2019	Hu	D14/206
D521,492 S *	5/2006	Ham	D14/205	D872,707 S *	1/2020	Liu	D14/206
D530,819 S *	10/2006	Jurkiewicz	D24/174	D879,068 S *	3/2020	Yan	D14/206
D535,980 S *	1/2007	Bentley	D14/225	D883,951 S *	5/2020	Yan	D14/206
D537,815 S *	3/2007	Bentley	D14/206	D886,798 S *	6/2020	Yan	D14/206
D539,266 S *	3/2007	Bentley	D14/205	D900,784 S *	11/2020	Yan	D14/206
D539,789 S *	4/2007	Rausch	D14/225	D903,634 S *	12/2020	Lu	D14/206
D540,778 S *	4/2007	Thompson	D14/206	D916,049 S *	4/2021	Xu	D14/206
D541,787 S *	5/2007	Ma	D14/205	2004/0062410 A1 *	4/2004	Wagner	H04R 25/65 381/330
D557,255 S *	12/2007	Shintani	D14/206	2005/0008178 A1 *	1/2005	Joergensen	H01H 13/702 381/322
D572,234 S *	7/2008	Reda	D14/205	2005/0259812 A1 *	11/2005	Chen	H04M 1/05 379/431
D581,900 S *	12/2008	Caddes	D14/206	2010/0290655 A1 *	11/2010	Takeda	H04R 25/602 381/323
D584,719 S *	1/2009	Brenwald	D14/205	2017/0339498 A1 *	11/2017	Vandyke	H04R 25/604
D586,329 S *	2/2009	Birger	D14/205				
D603,372 S *	11/2009	Bentley	D14/206				
D612,834 S *	3/2010	Yang	D14/206				

* cited by examiner

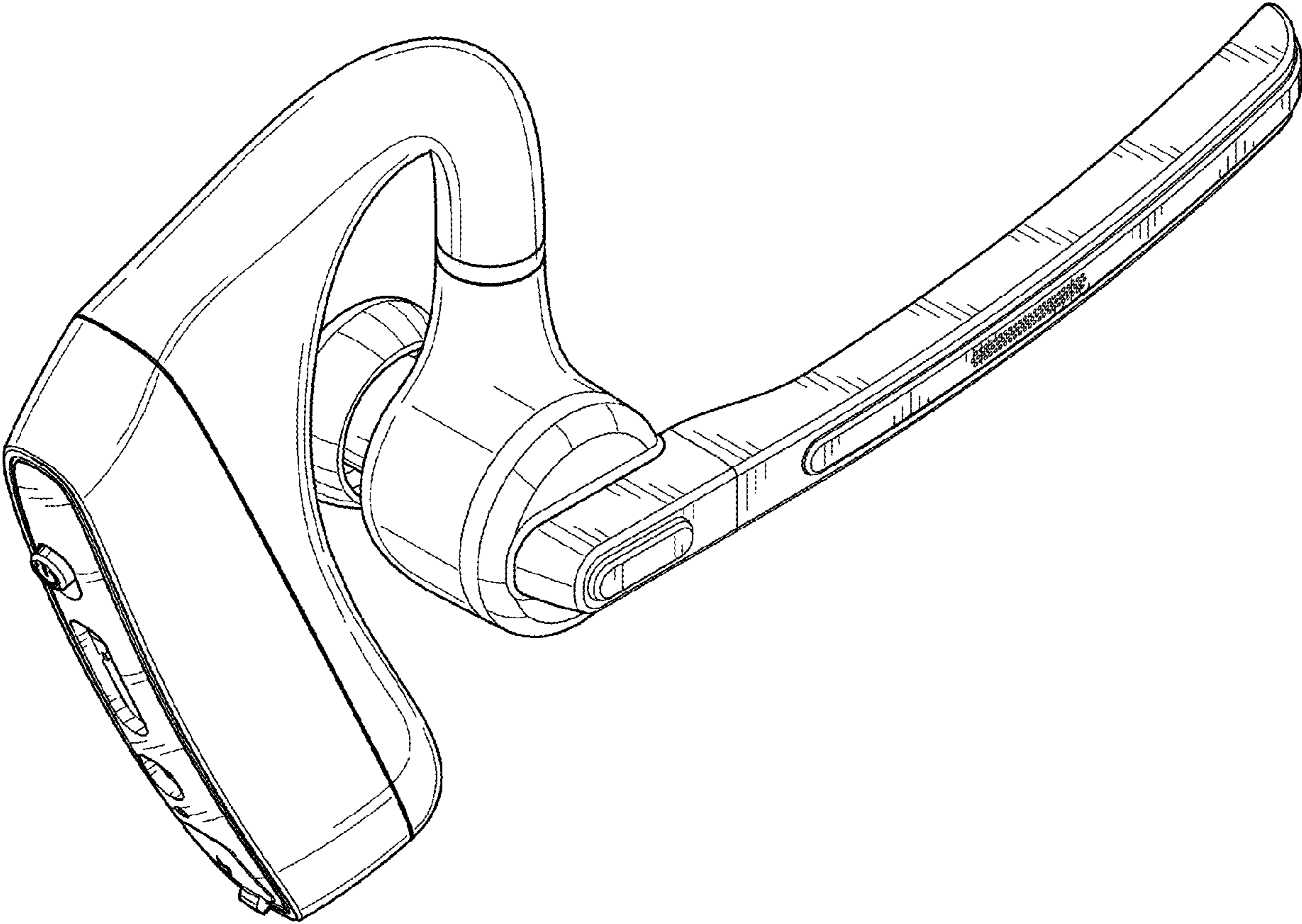


FIG. 1

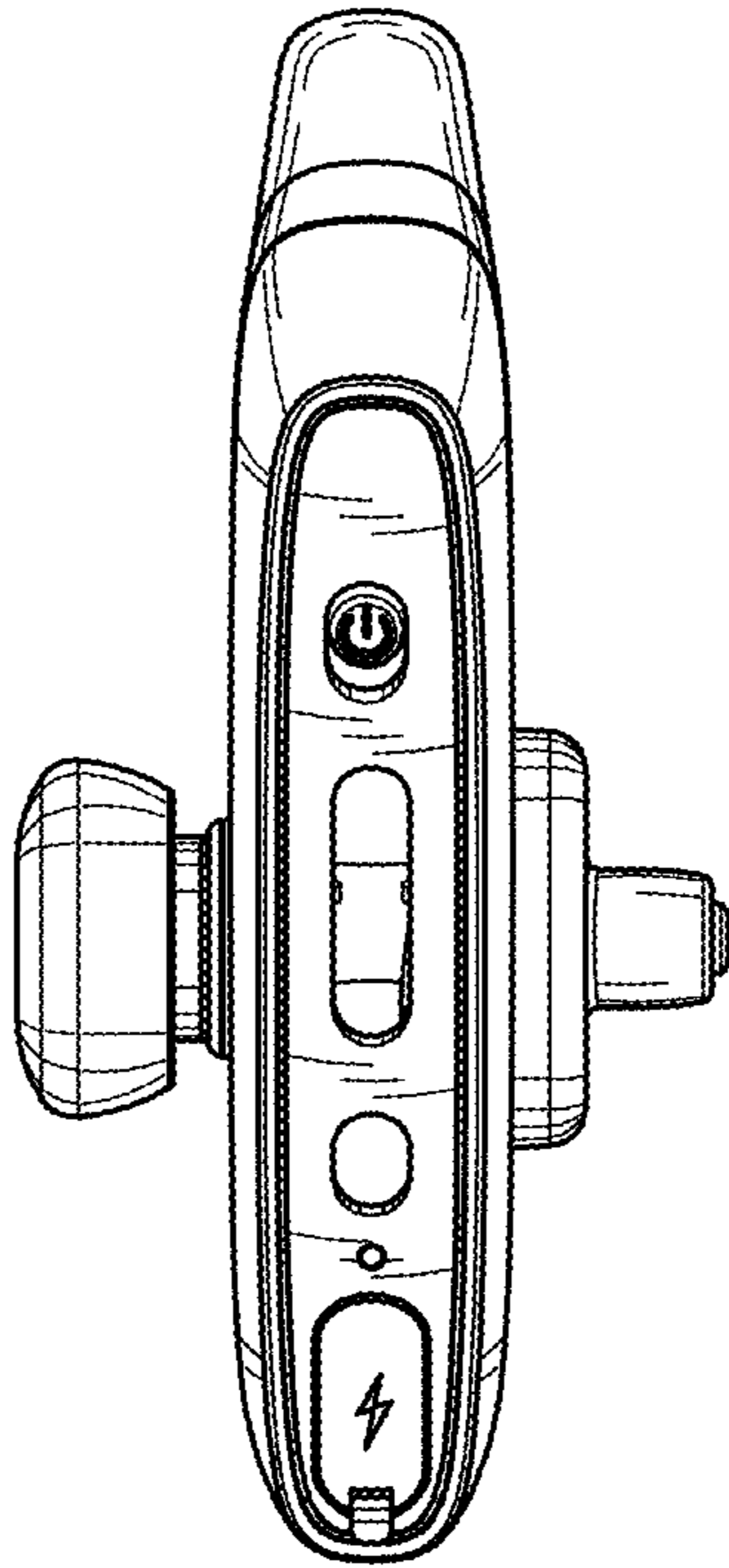


FIG. 2

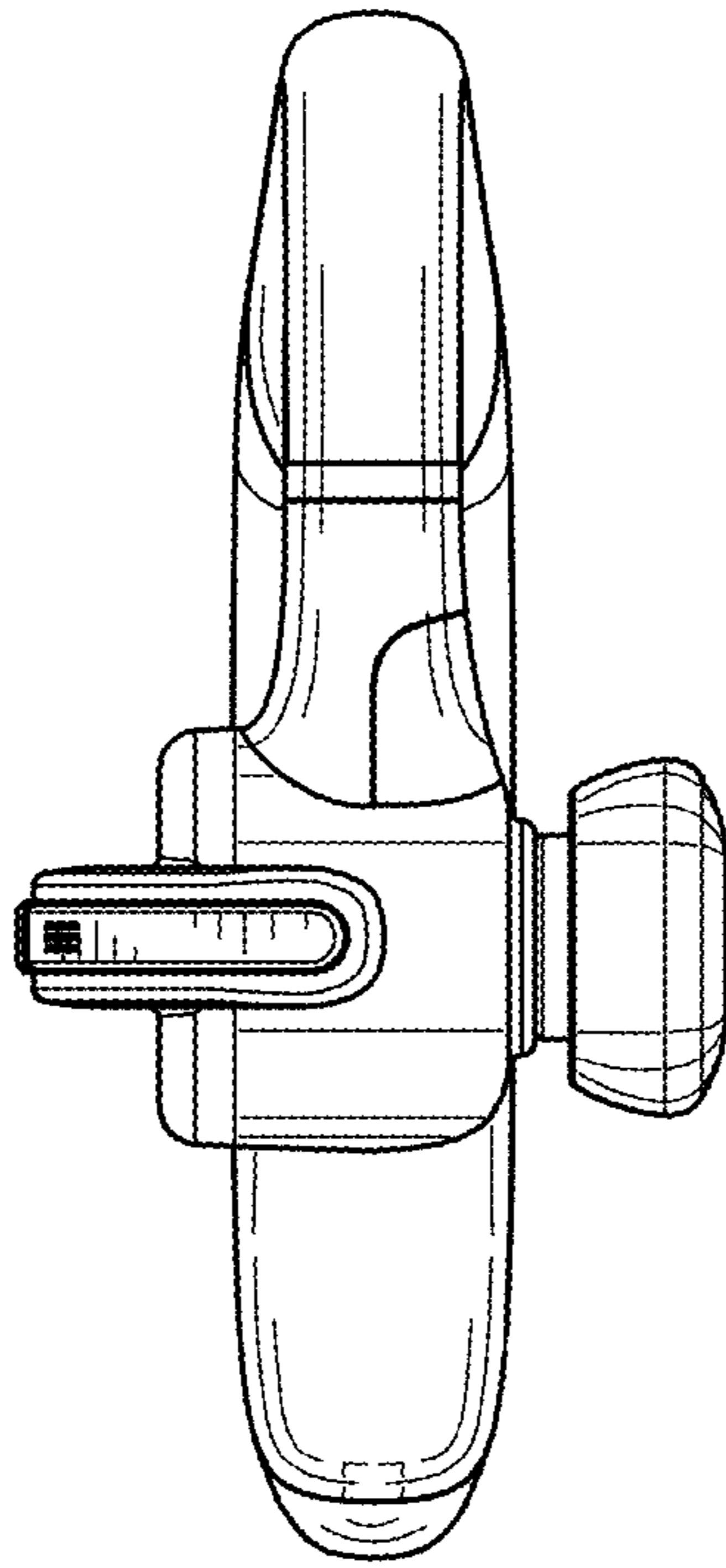


FIG. 3

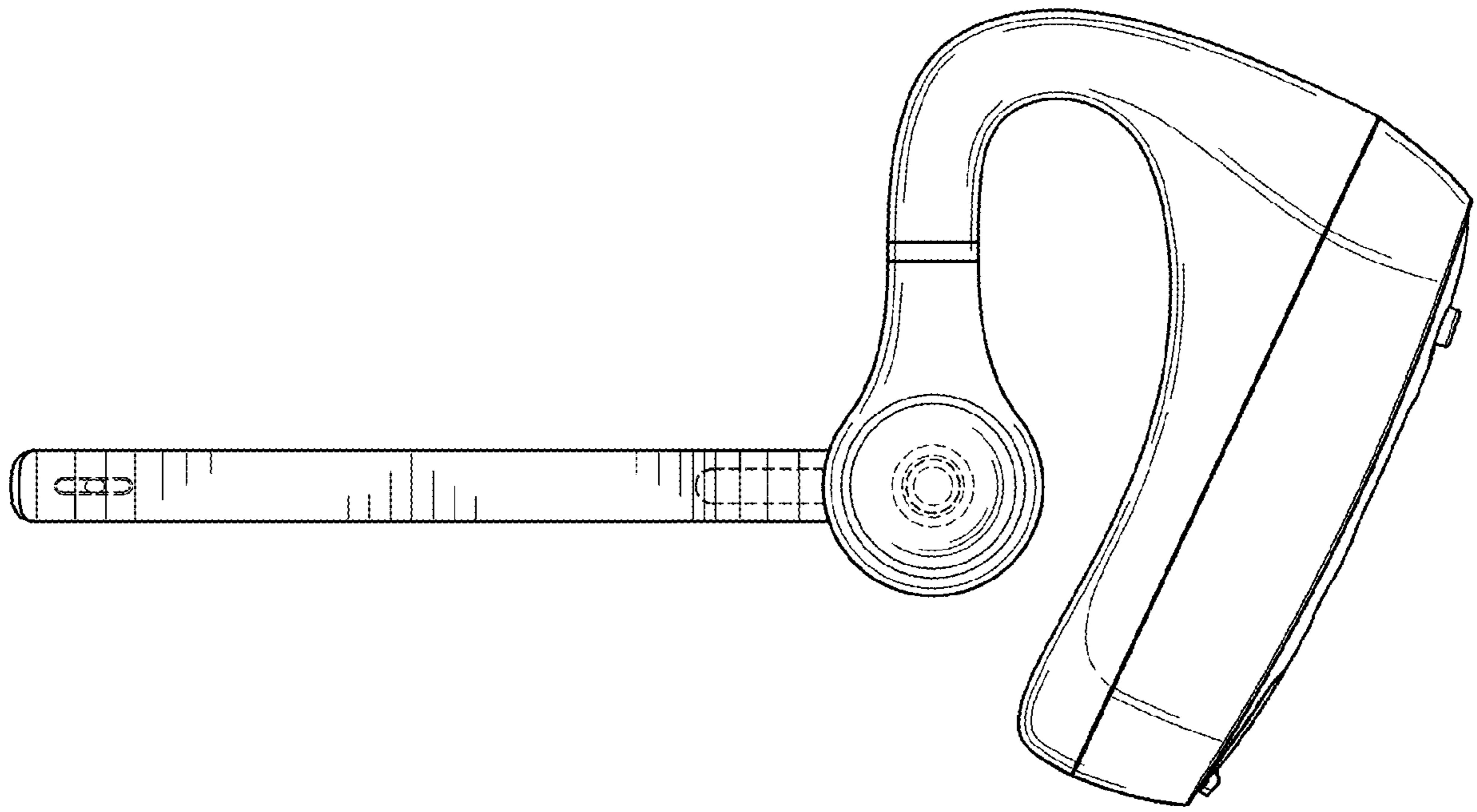


FIG. 4

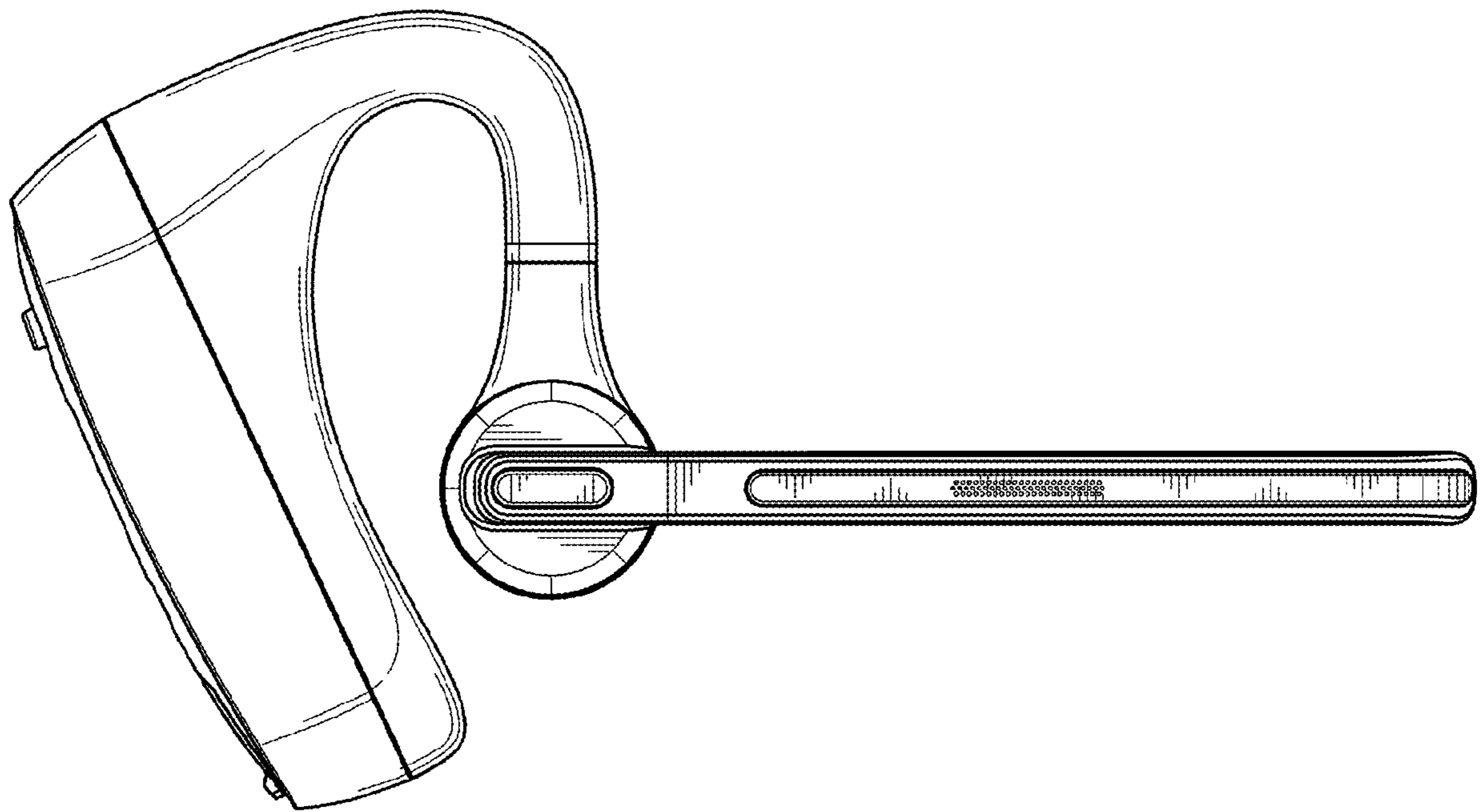


FIG. 5

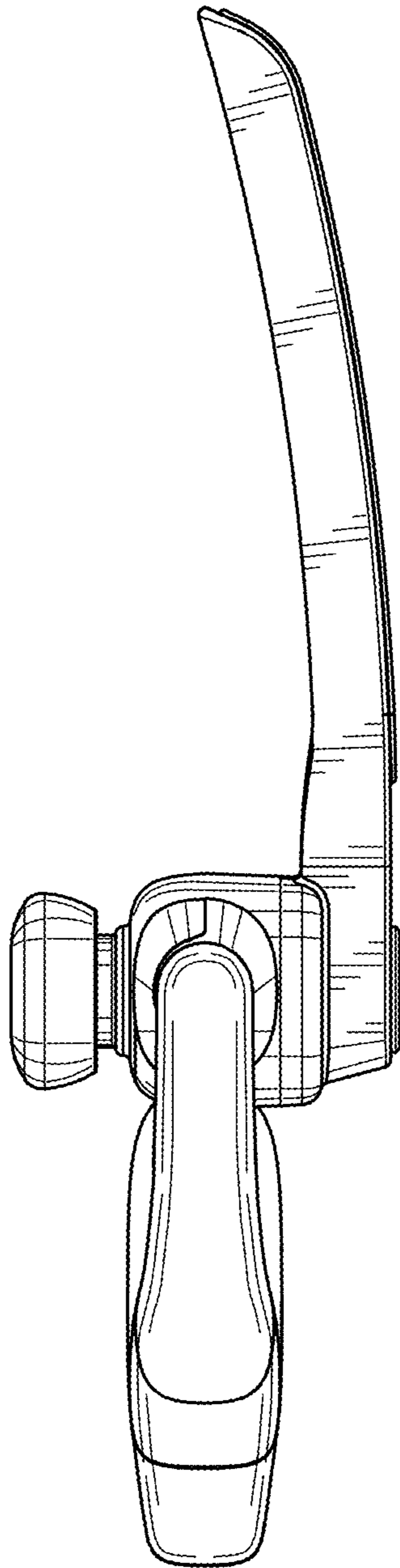


FIG. 6

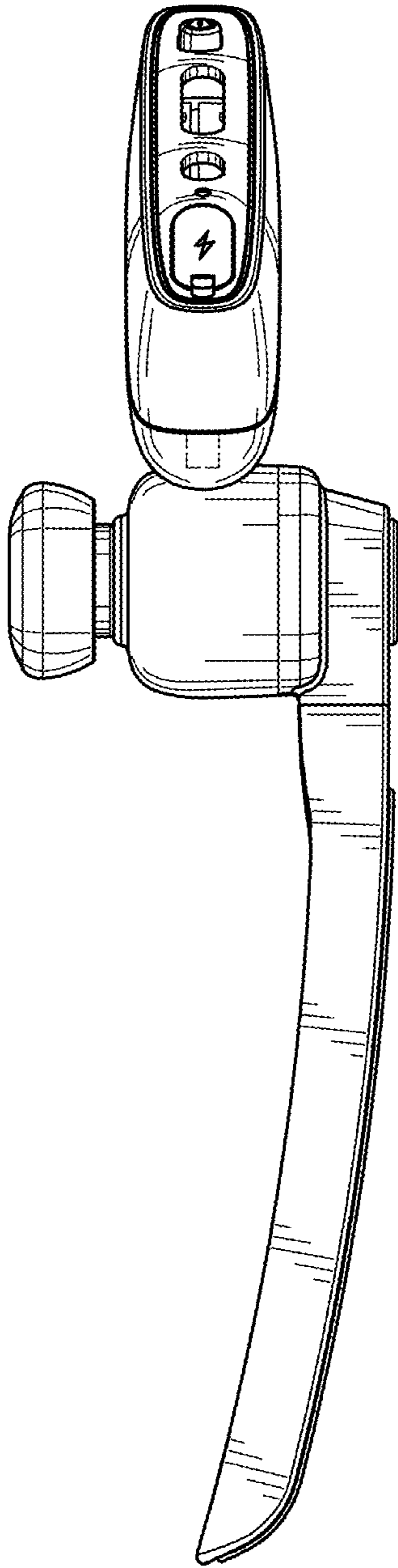


FIG. 7