



US00D926151S

(12) **United States Design Patent**
Zhong

(10) **Patent No.:** **US D926,151 S**

(45) **Date of Patent:** **** Jul. 27, 2021**

- (54) **WIRELESS HEADPHONE**
- (71) Applicant: **Dongsheng Zhong**, Guangdong (CN)
- (72) Inventor: **Dongsheng Zhong**, Guangdong (CN)
- (73) Assignee: **Shenzhen YAMAY digital electronics Co., LTD**, Guangdong (CN)
- (**) Term: **15 Years**
- (21) Appl. No.: **29/711,994**
- (22) Filed: **Nov. 5, 2019**
- (51) **LOC (13) Cl.** **14-01**
- (52) **U.S. Cl.**
USPC **D14/206; D14/226**
- (58) **Field of Classification Search**
USPC D14/206, 205, 142, 192, 219, 225, 226;
379/430; 381/380, 381, 370, 362, 375;
181/290; 455/90.3, 575.1, 569.1
CPC H04R 25/00; H04R 1/10; H04R 1/1066;
H04R 1/1016; H04R 5/033; H04R
5/0335; H04R 19/04; H04R 1/1091
See application file for complete search history.

- (56) **References Cited**
U.S. PATENT DOCUMENTS
- 5,113,428 A * 5/1992 Fitzgerald H04B 1/385
379/430
- D333,305 S * 2/1993 West D14/138 R
- D337,116 S * 7/1993 Hattori D14/206
- D364,617 S * 11/1995 Fitzgerald D14/142
- D394,436 S * 5/1998 Hall D14/206
- 5,794,127 A * 8/1998 Lansang H04R 1/1041
340/12.5
- D409,614 S * 5/1999 Carlton D14/192
- D414,488 S * 9/1999 Fitzgerald D14/142
- 6,055,312 A * 4/2000 Pralus H04M 1/05
379/430

- D425,888 S * 5/2000 Fitzgerald D14/142
- D429,229 S * 8/2000 Fitzgerald D14/142
- D441,734 S * 5/2001 Fitzgerald D14/142
- D443,603 S * 6/2001 Taylor D14/206
- D449,290 S * 10/2001 Taylor D14/206
- D456,379 S * 4/2002 Fitzgerald D14/142
- D463,784 S * 10/2002 Taylor D14/206
- 6,622,029 B1 * 9/2003 Skulley H04M 1/05
379/430
- 6,625,293 B1 * 9/2003 Nageno H04R 1/08
181/20
- D491,917 S * 6/2004 Asai D14/205
- 6,754,361 B1 * 6/2004 Hall H04R 1/1025
379/430
- D497,357 S * 10/2004 Allum D14/206
- 7,031,475 B2 * 4/2006 Kuraoka H04M 1/0289
379/428.02
- D530,702 S * 10/2006 Pritchard D14/206
- D531,165 S * 10/2006 Rath D14/206

(Continued)

Primary Examiner — Paula Allen Greene

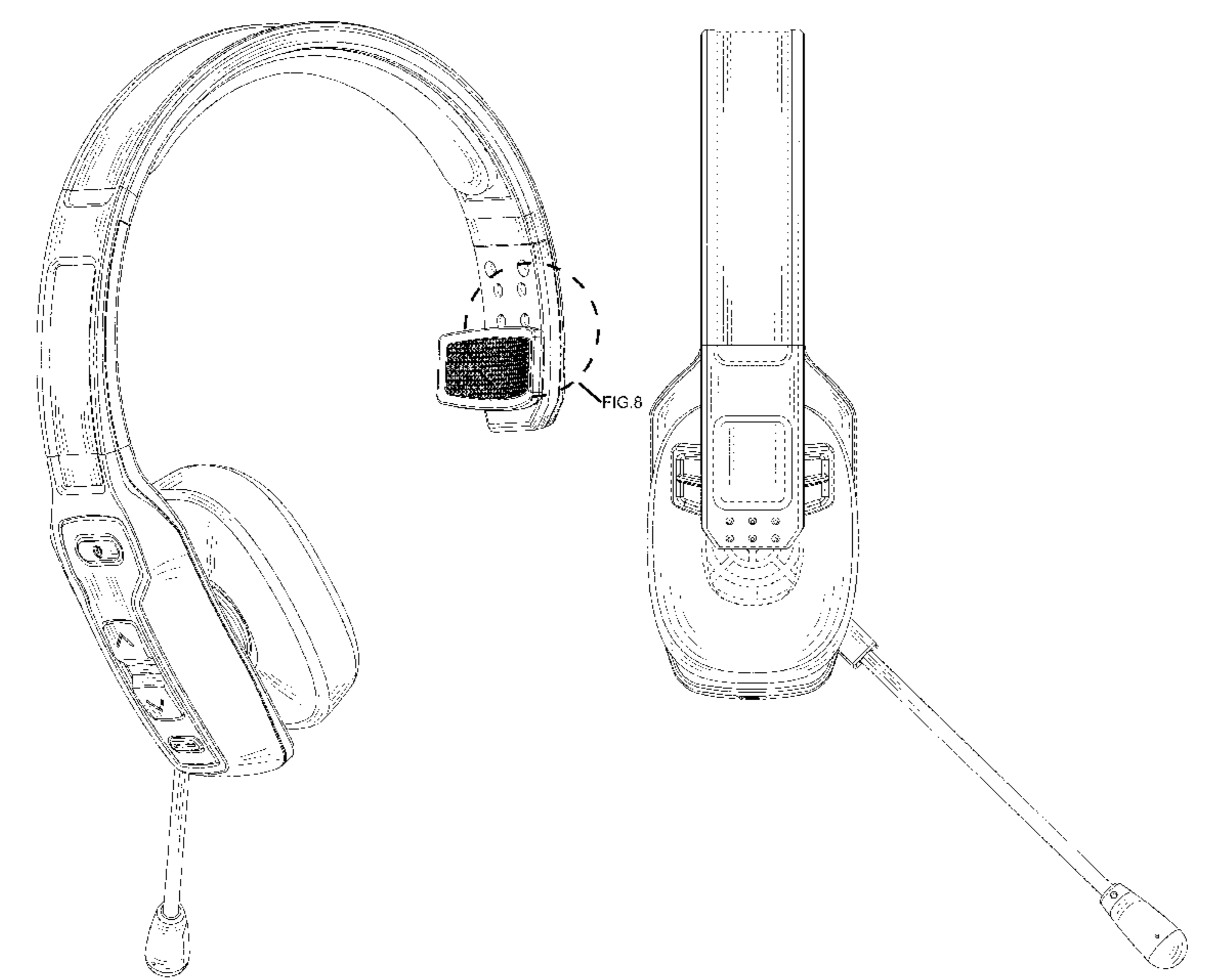
(57) **CLAIM**

The ornamental design for a wireless headphone, as shown and described.

DESCRIPTION

FIG. 1 is a perspective view of a wireless headphone showing my new design;
 FIG. 2 is a front elevational view thereof;
 FIG. 3 is a rear elevational view thereof;
 FIG. 4 is a left side elevational view thereof;
 FIG. 5 is a right side elevational view thereof;
 FIG. 6 is a top plan view thereof;
 FIG. 7 is a bottom plan view thereof; and,
 FIG. 8 is an enlarged view of a part of the wireless microphone of FIG. 1 thereof.
 The broken lines in the drawings depict portions of the wireless headphone that form no part of the claimed design.

1 Claim, 8 Drawing Sheets



(56)

References Cited

U.S. PATENT DOCUMENTS

7,388,960 B2 * 6/2008 Kuo H04R 1/1041
379/430
D602,002 S * 10/2009 Asai D14/206
D602,906 S * 10/2009 Groves D14/205
D638,397 S * 5/2011 McManigal D14/205
D677,648 S * 3/2013 Lee D14/206
8,387,747 B2 * 3/2013 Koike G10K 11/162
181/290
D690,680 S * 10/2013 McManigal D14/205
D691,111 S * 10/2013 Lee D14/206
D712,875 S * 9/2014 Katori D14/206
D716,258 S * 10/2014 Awiszus D14/206
D716,259 S * 10/2014 Awiszus D14/206
D820,812 S * 6/2018 Bidwell D14/206
2005/0201569 A1 * 9/2005 Kuraoka H04M 1/05
381/74
2011/0135134 A1 * 6/2011 Essabar H04R 1/105
381/374

* cited by examiner

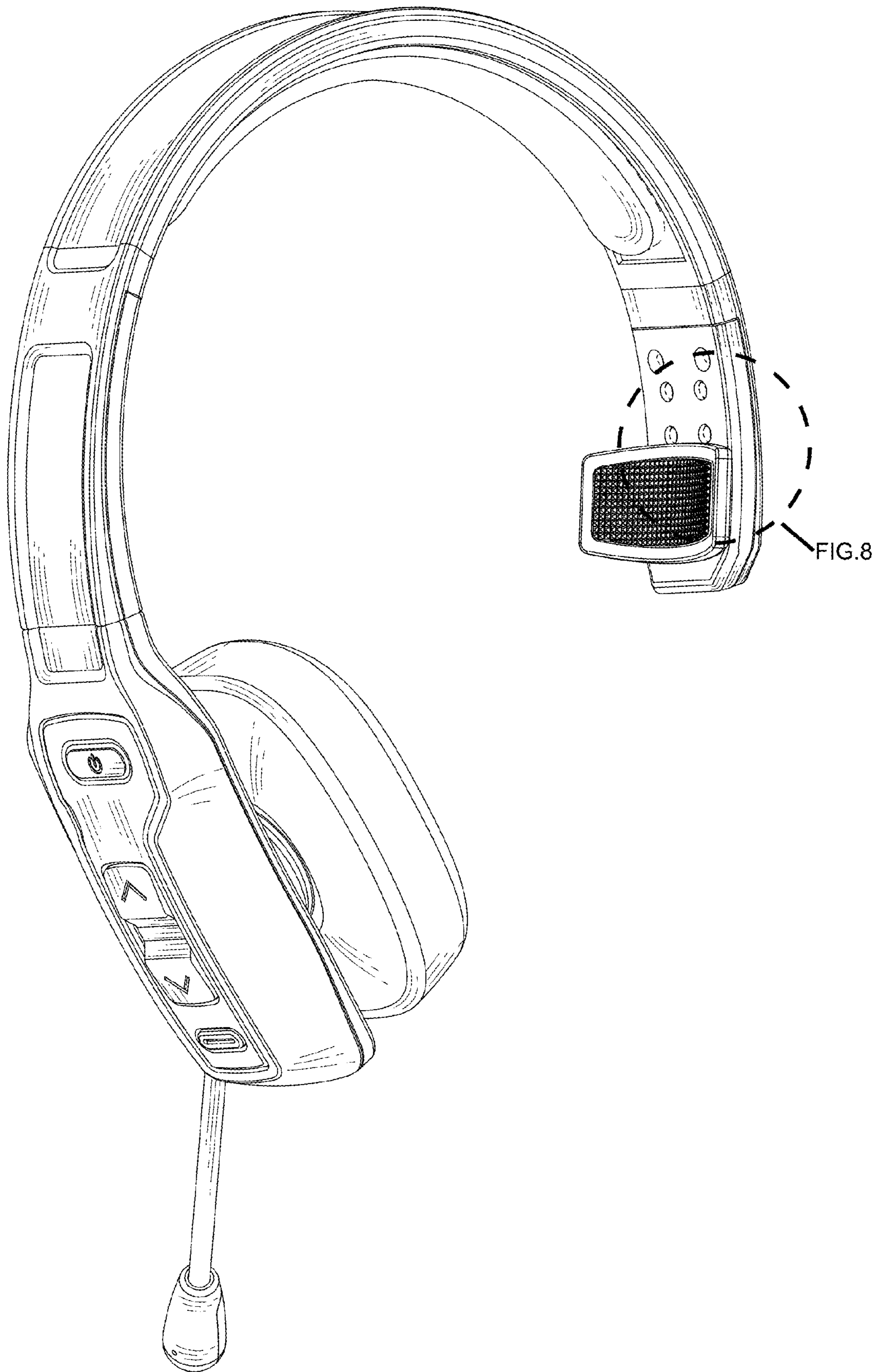


FIG. 1



FIG. 2



FIG. 3

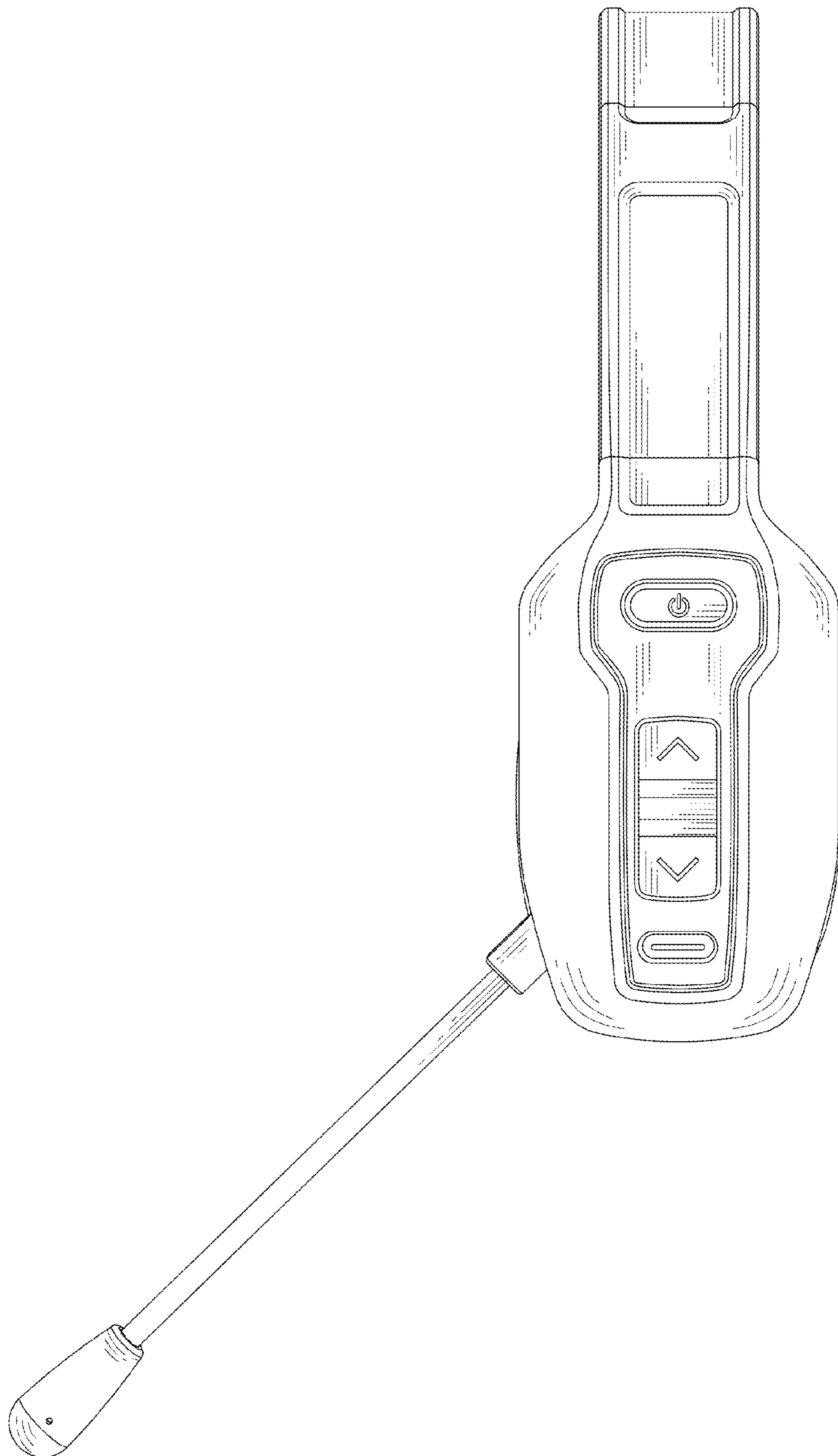


FIG. 4

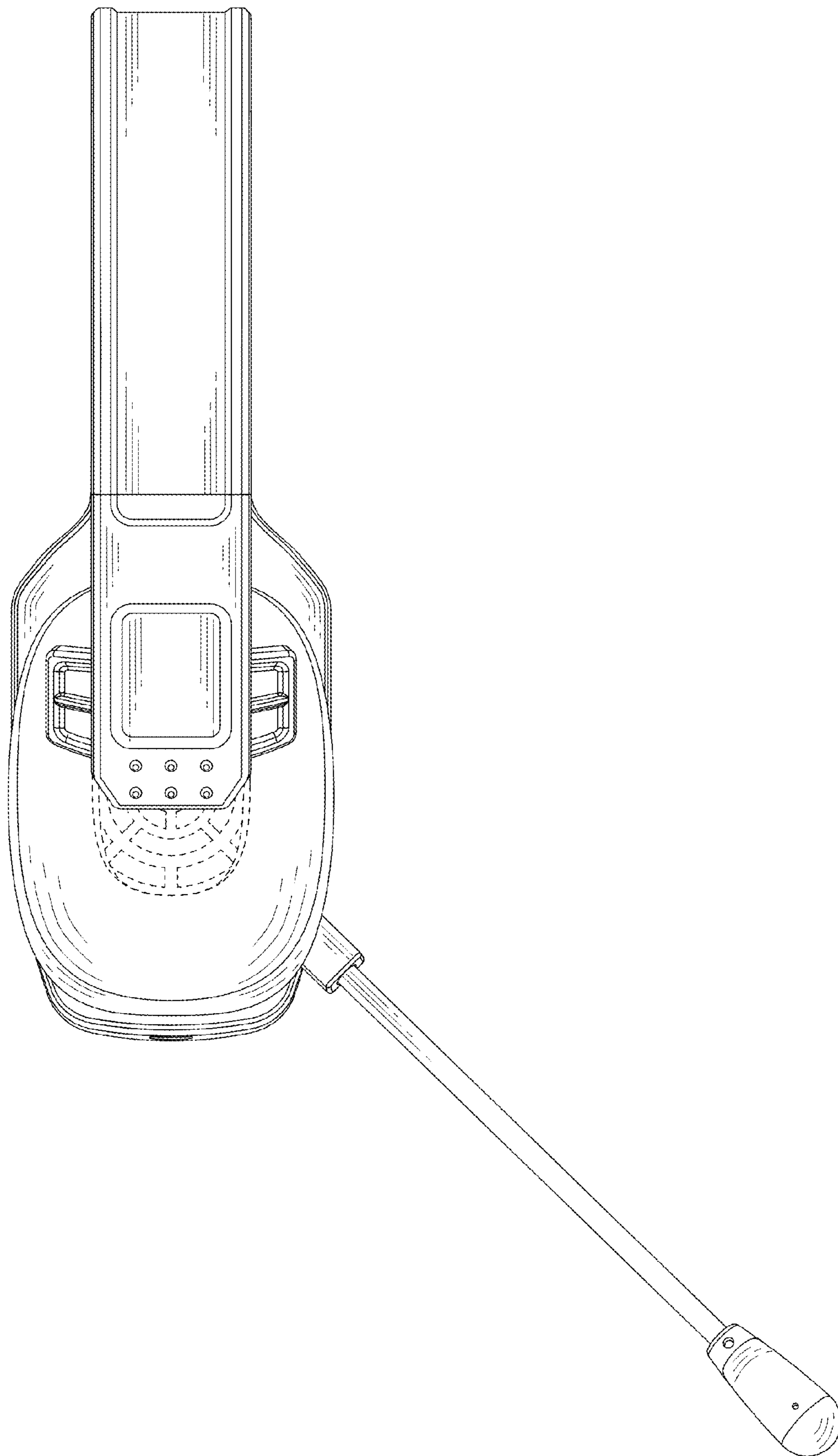


FIG. 5

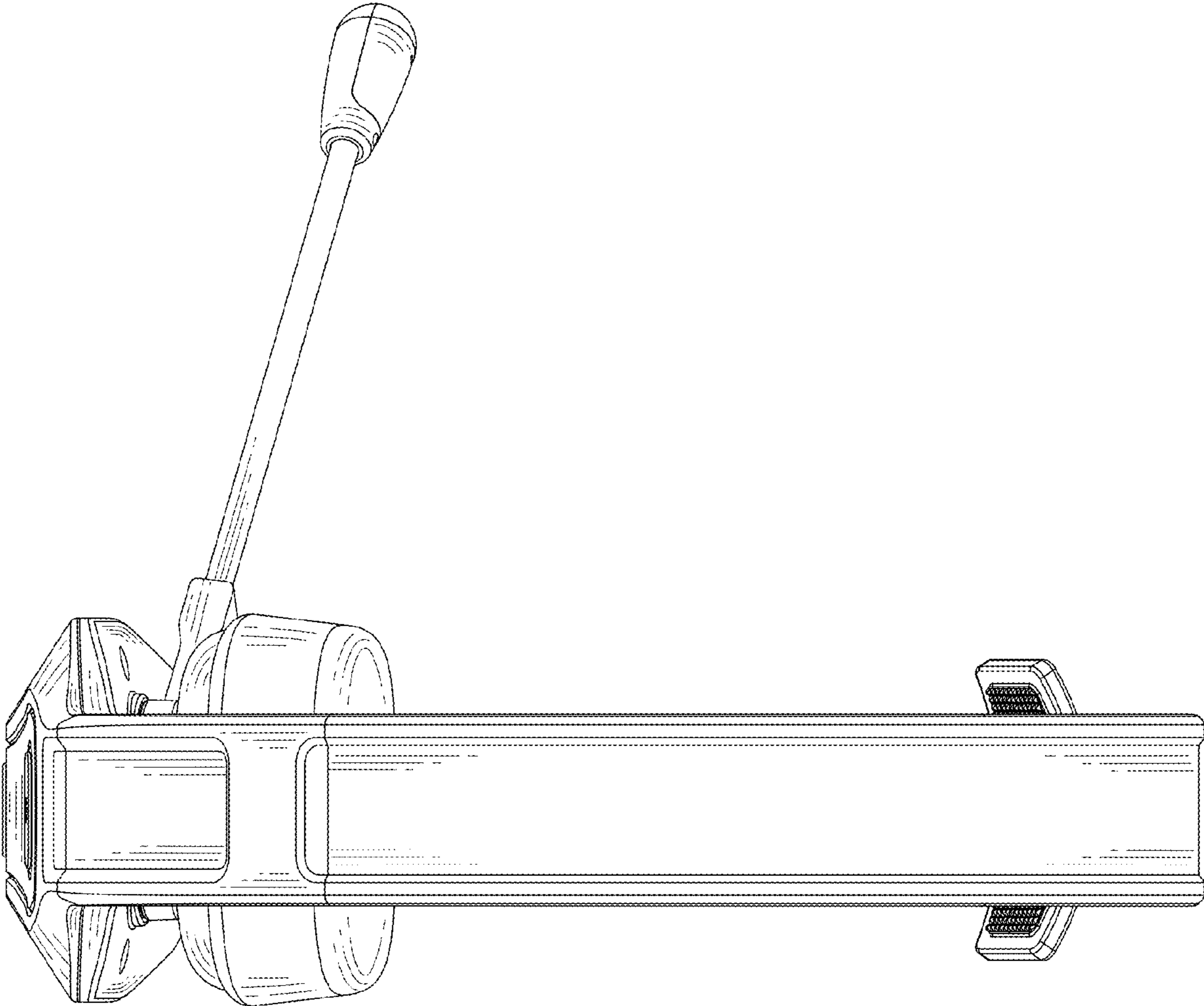


FIG. 6

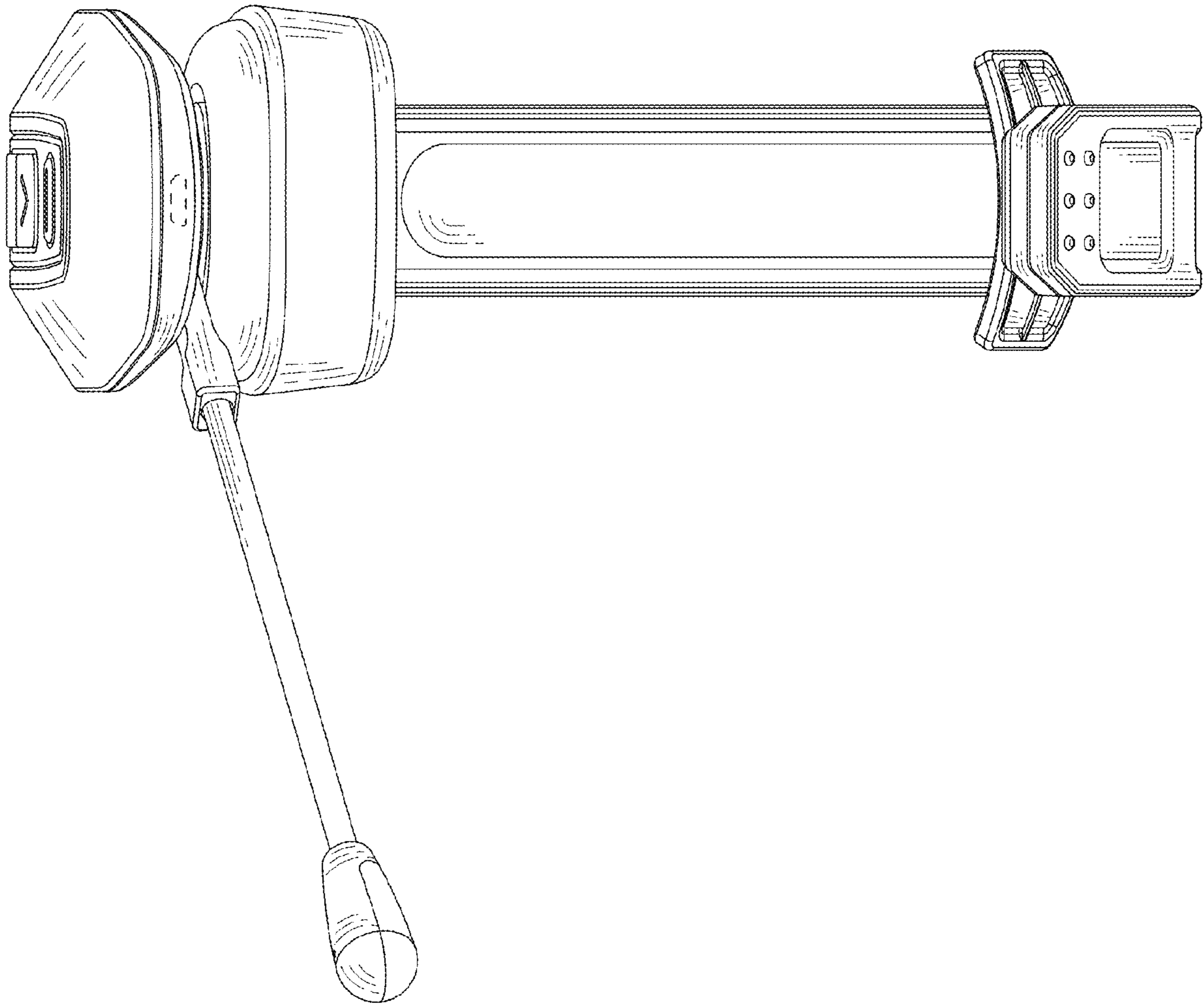


FIG. 7

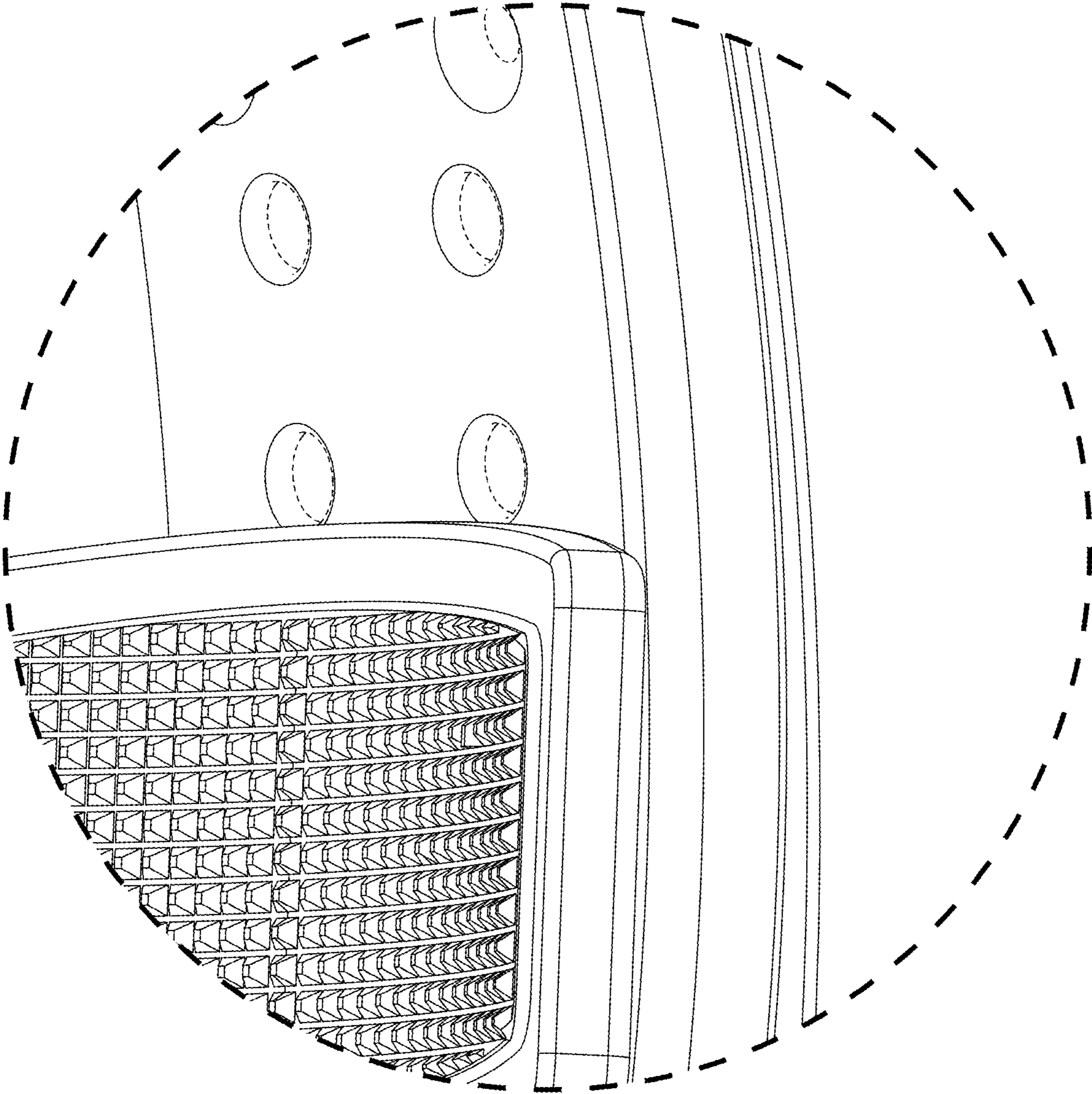


FIG. 8