



US00D926149S

(12) **United States Design Patent** (10) **Patent No.:** **US D926,149 S**
Park et al. (45) **Date of Patent:** **** Jul. 27, 2021**

(54) **TELEVISION RECEIVER**

Primary Examiner — Bao-Yen T Nguyen

(71) Applicant: **LG ELECTRONICS INC.**, Seoul (KR)

(74) *Attorney, Agent, or Firm* — Birch, Stewart, Kolasch & Birch LLP

(72) Inventors: **Woosuk Park**, Seoul (KR); **Junghan Ryu**, Seoul (KR); **Jeonga Shin**, Seoul (KR); **Bumsang Lee**, Seoul (KR); **Chulmin Lim**, Seoul (KR)

(57) **CLAIM**

The ornamental design for television receiver, as shown and described.

(73) Assignee: **LG ELECTRONICS INC.**, Seoul (KR)

DESCRIPTION

(**) Term: **15 Years**

1. Television receiver

(21) Appl. No.: **35/509,192**

1.1 : Perspective

(22) Filed: **Oct. 23, 2019**

1.2 : Front

(80) **Hague Agreement Data**

Int. Filing Date: **Oct. 23, 2019**

1.3 : Back

Int. Reg. No.: **DM/205042**

1.4 : Left

Int. Reg. Date: **Oct. 23, 2019**

1.5 : Right

Int. Reg. Pub. Date: **Apr. 24, 2020**

1.6 : Top

(30) **Foreign Application Priority Data**

May 9, 2019 (KR) 30-2019-0021677

1.7 : Bottom

(51) **LOC (13) Cl.** **14-03**

1.8 : Perspective

(52) **U.S. Cl.**
USPC **D14/126**

1.9 : Front

(58) **Field of Classification Search**

USPC D14/125–134, 136, 159, 239, 336, 342,
D14/371, 374–377, 440, 448, 450;
D21/329, 515, 577, 622

1.10 : Back

(Continued)

1.11 : Left

(56) **References Cited**

U.S. PATENT DOCUMENTS

D717,257 S * 11/2014 Kim D14/126

1.12 : Right

D718,731 S * 12/2014 Lee D14/126

1.13 : Top

(Continued)

1.14 : Bottom

1.15 : Perspective

1.16 : Front

1.17 : Back

1.18 : Left

1.19 : Right

1.20 : Top

1.21 : Bottom

1.22 : Perspective

1.23 : Front

1.24 : Back

1.25 : Left

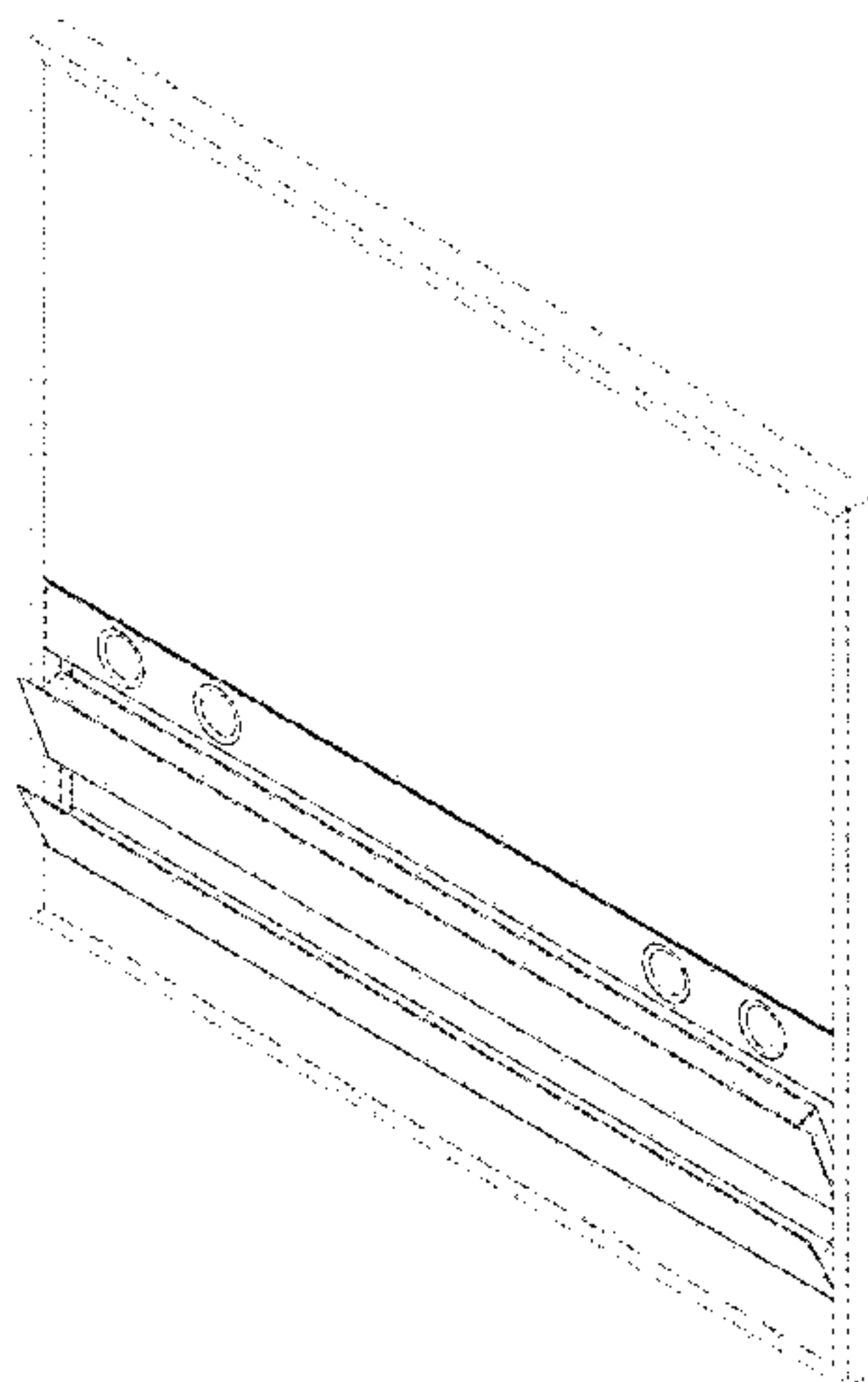
1.26 : Right

1.27 : Top

1.28 : Bottom

Reproductions 1.1 to 1.7 show the subject design before its change, reproduction 1.8 to 1.14 show an intermediate step of the subject design after its change, with its front door is rolling down and reproduction 1.15 to 1.21 show the subject design after its change, with its front door is fully rolling

(Continued)



down and reproduction 1.22 to 1.28 show the inner cabinet of the subject design is open.

1 Claim, 28 Drawing Sheets

(58) **Field of Classification Search**

CPC ... G06F 1/1601; G06F 1/1643; H05K 5/0004;
H05K 5/0017; H05K 5/02; H05K 5/0217
See application file for complete search history.

(56) **References Cited**

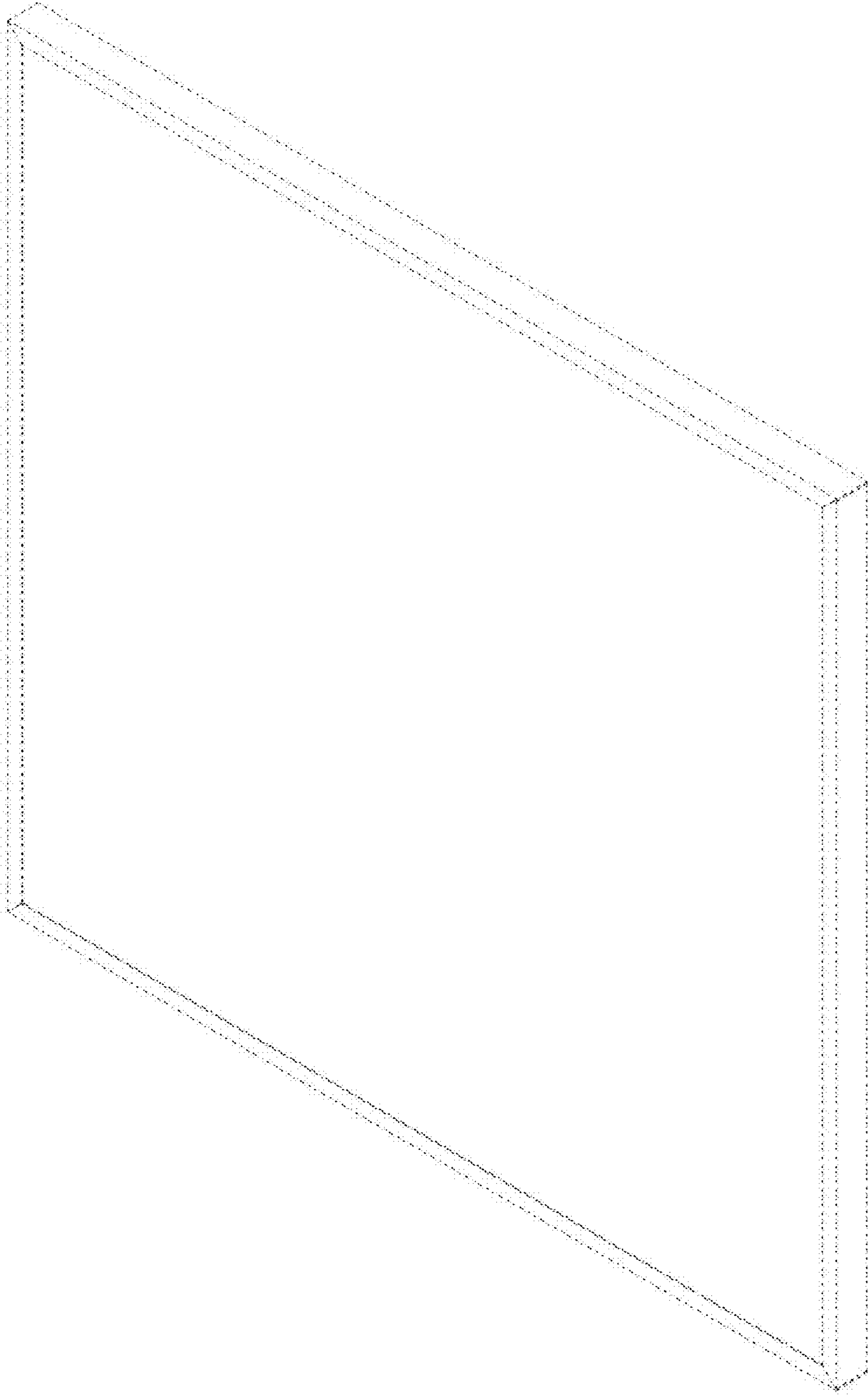
U.S. PATENT DOCUMENTS

D719,119 S * 12/2014 Park D14/126
D719,120 S * 12/2014 Park D14/126
D725,059 S * 3/2015 Kim D14/126

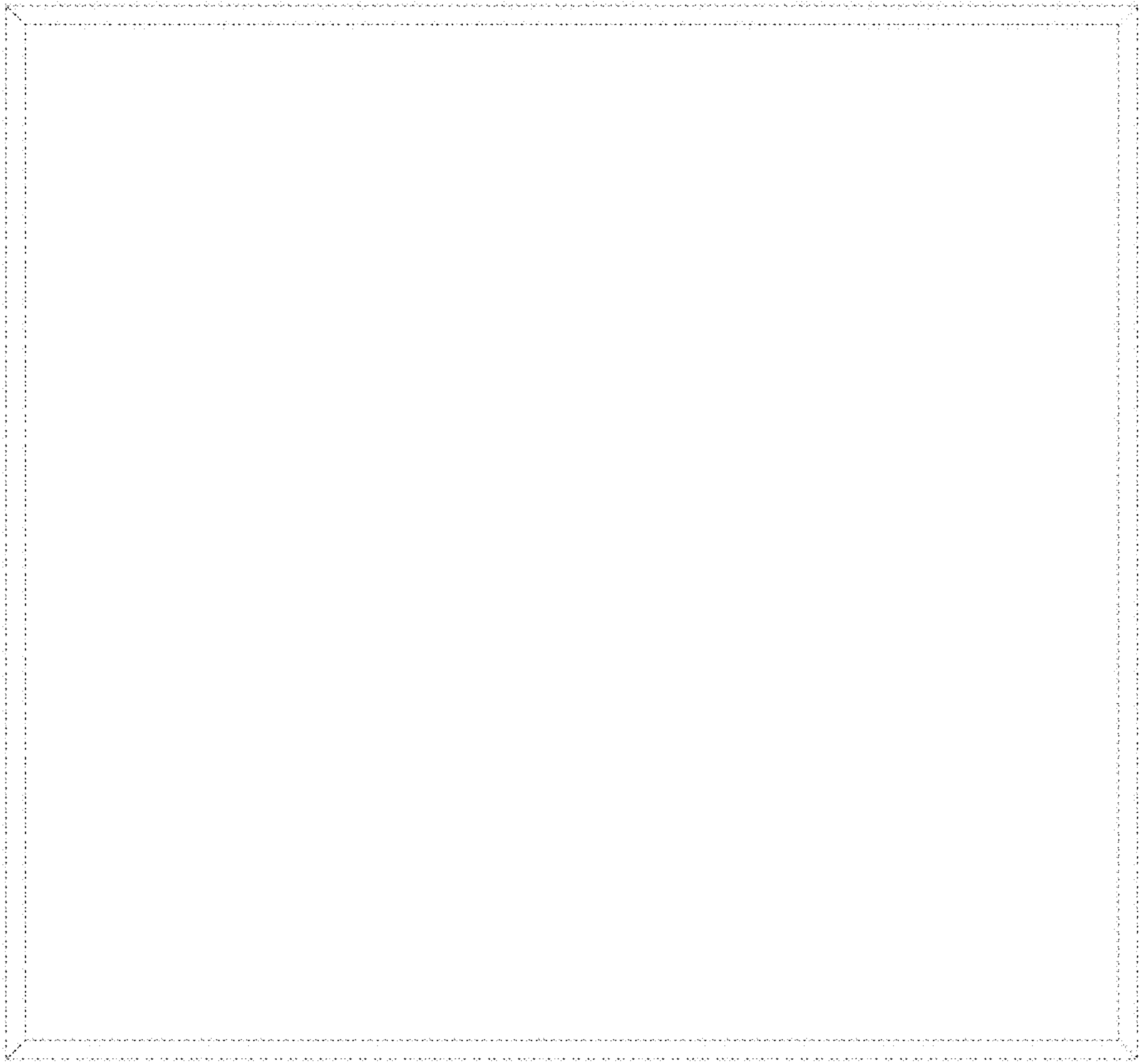
D725,619 S * 3/2015 Choi D14/126
D778,858 S * 2/2017 Kim D14/126
D783,553 S * 4/2017 Kim D14/126
D799,443 S * 10/2017 Park D14/126
D807,312 S * 1/2018 Jeong D14/126
D817,902 S * 5/2018 Lee D14/126
D818,978 S * 5/2018 Won D14/126
D827,600 S * 9/2018 Lammens D14/126
D837,757 S * 1/2019 Kim D14/126
D837,758 S * 1/2019 Kim D14/126
D845,263 S * 4/2019 Kim D14/126
D864,136 S * 10/2019 Kim D14/126
D867,312 S * 11/2019 McManigal D14/126
D888,678 S * 6/2020 Ryu D14/126
D898,688 S * 10/2020 Lee D14/126
D899,388 S * 10/2020 Park D14/126
D899,391 S * 10/2020 Park D14/126
D908,650 S * 1/2021 Cho D14/126
D911,300 S * 2/2021 Park D14/126

* cited by examiner

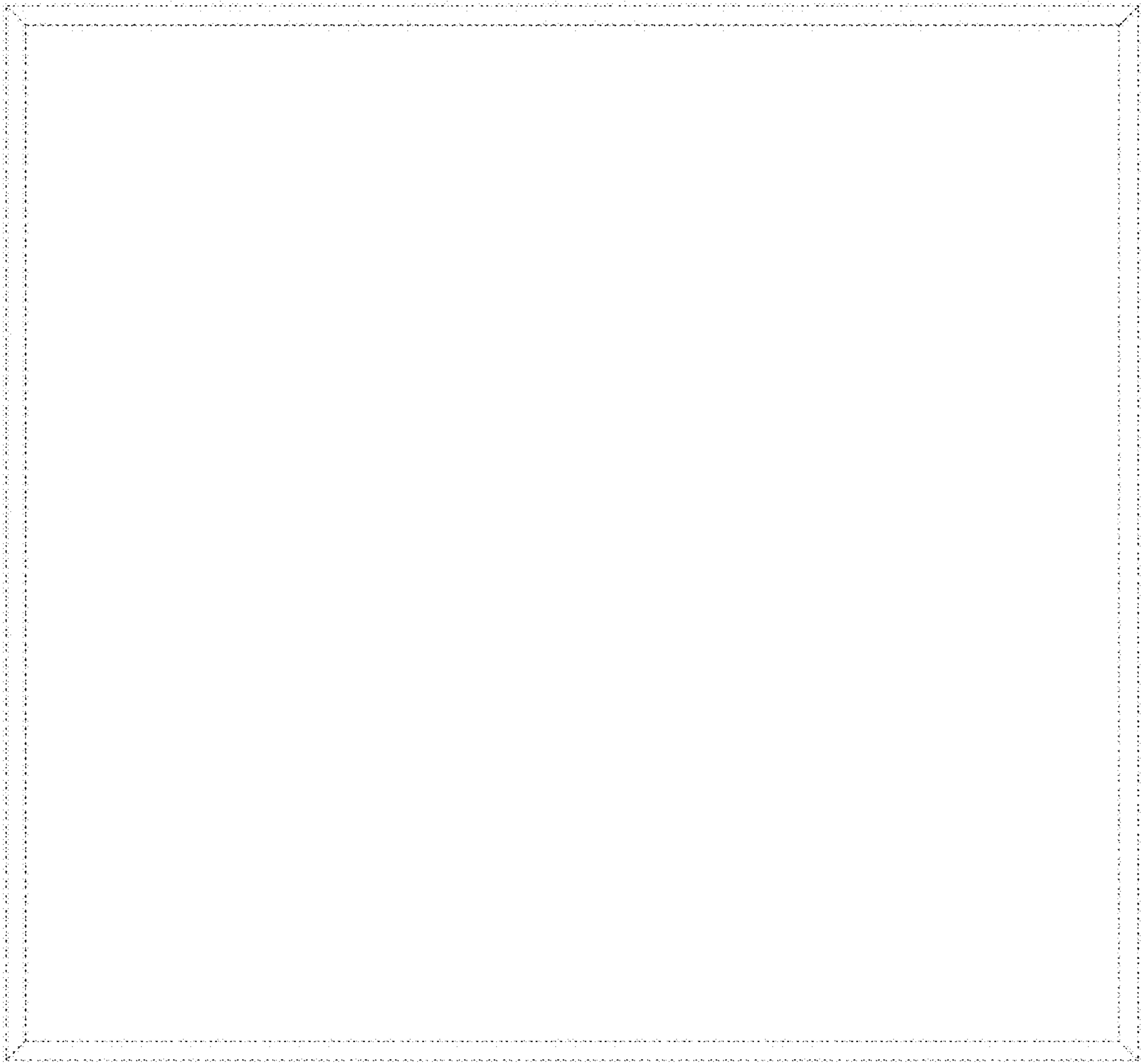
1.1



1.2



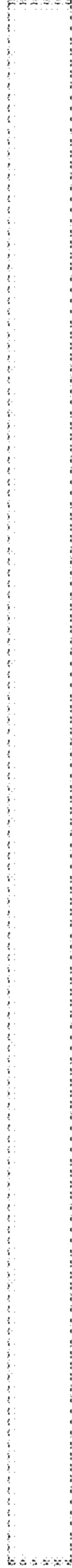
1.3



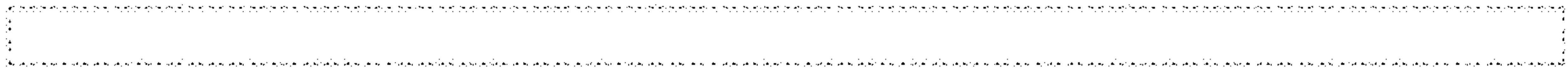
1.4



1.5



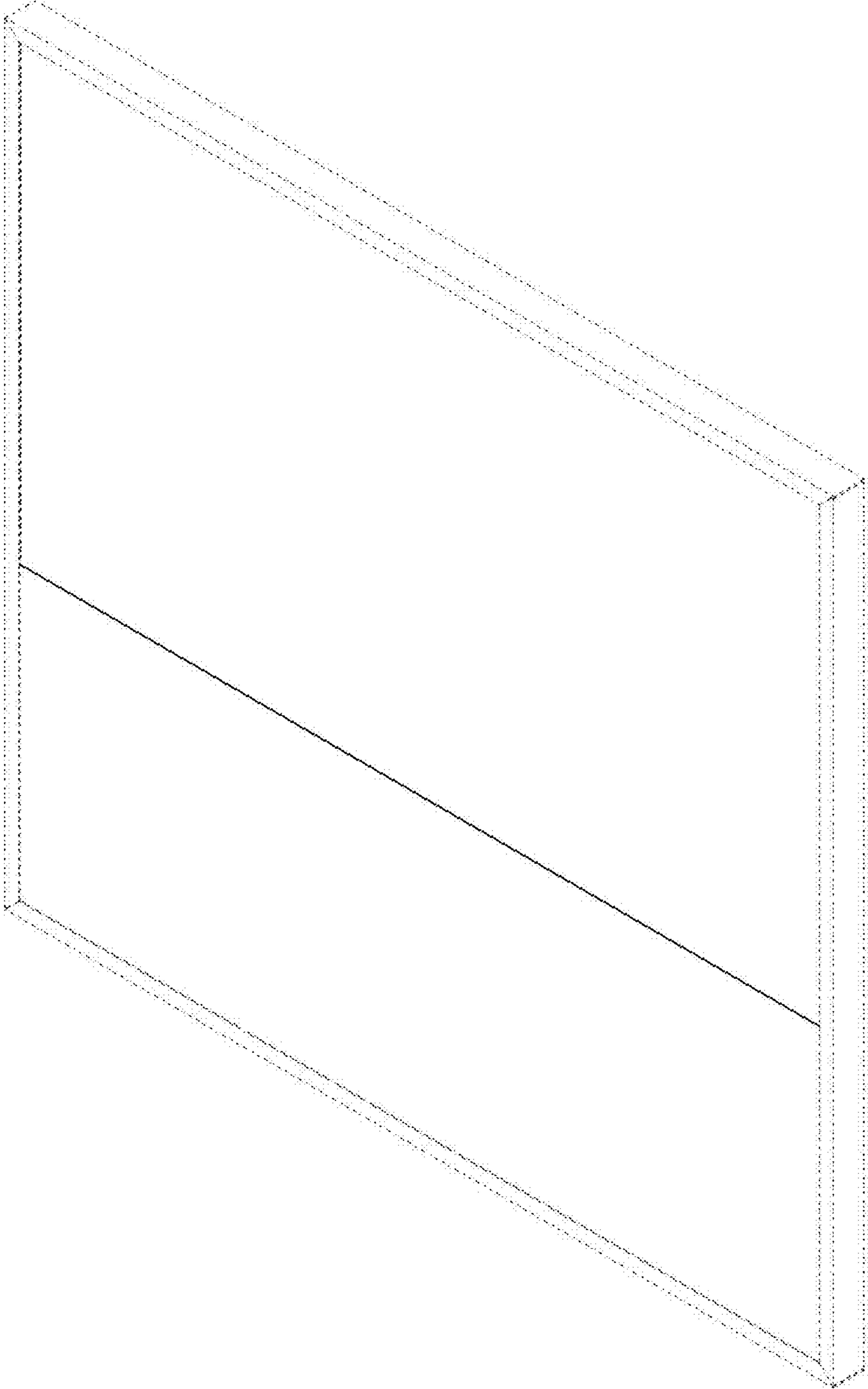
1.6



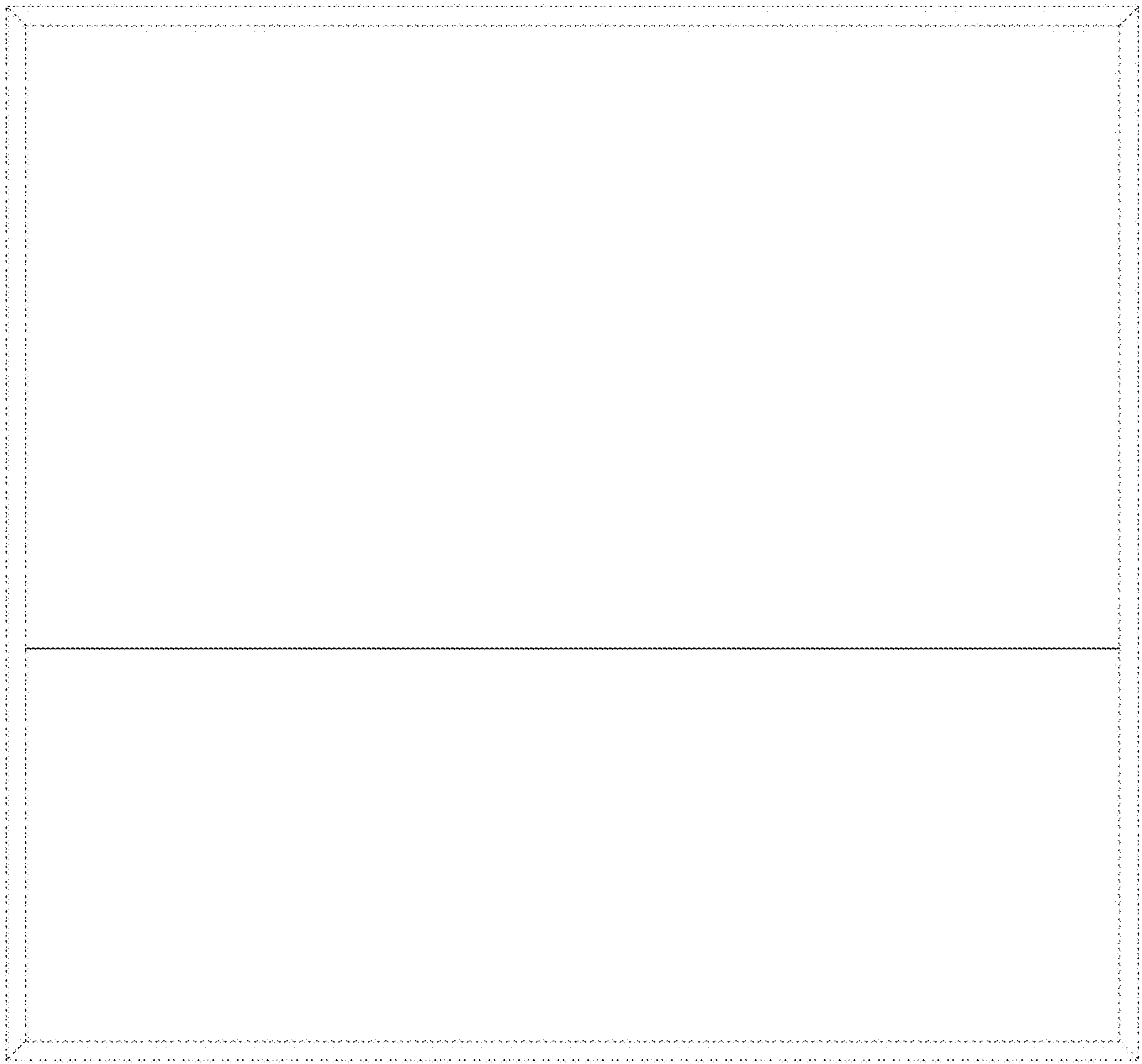
1.7



1.8



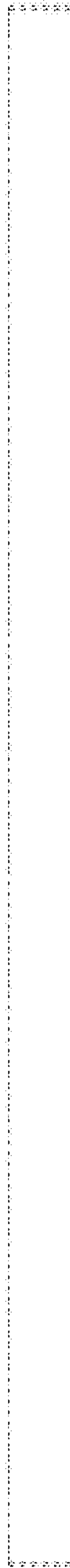
1.9



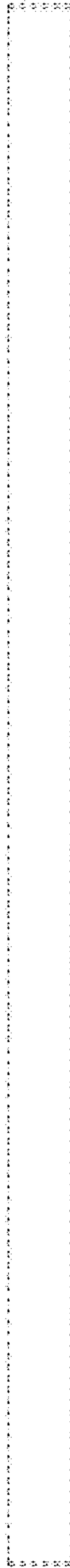
1.10



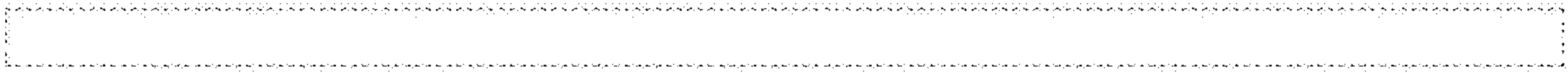
1.11



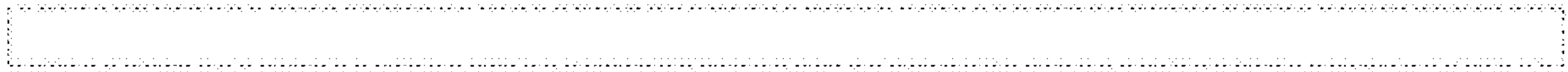
1.12



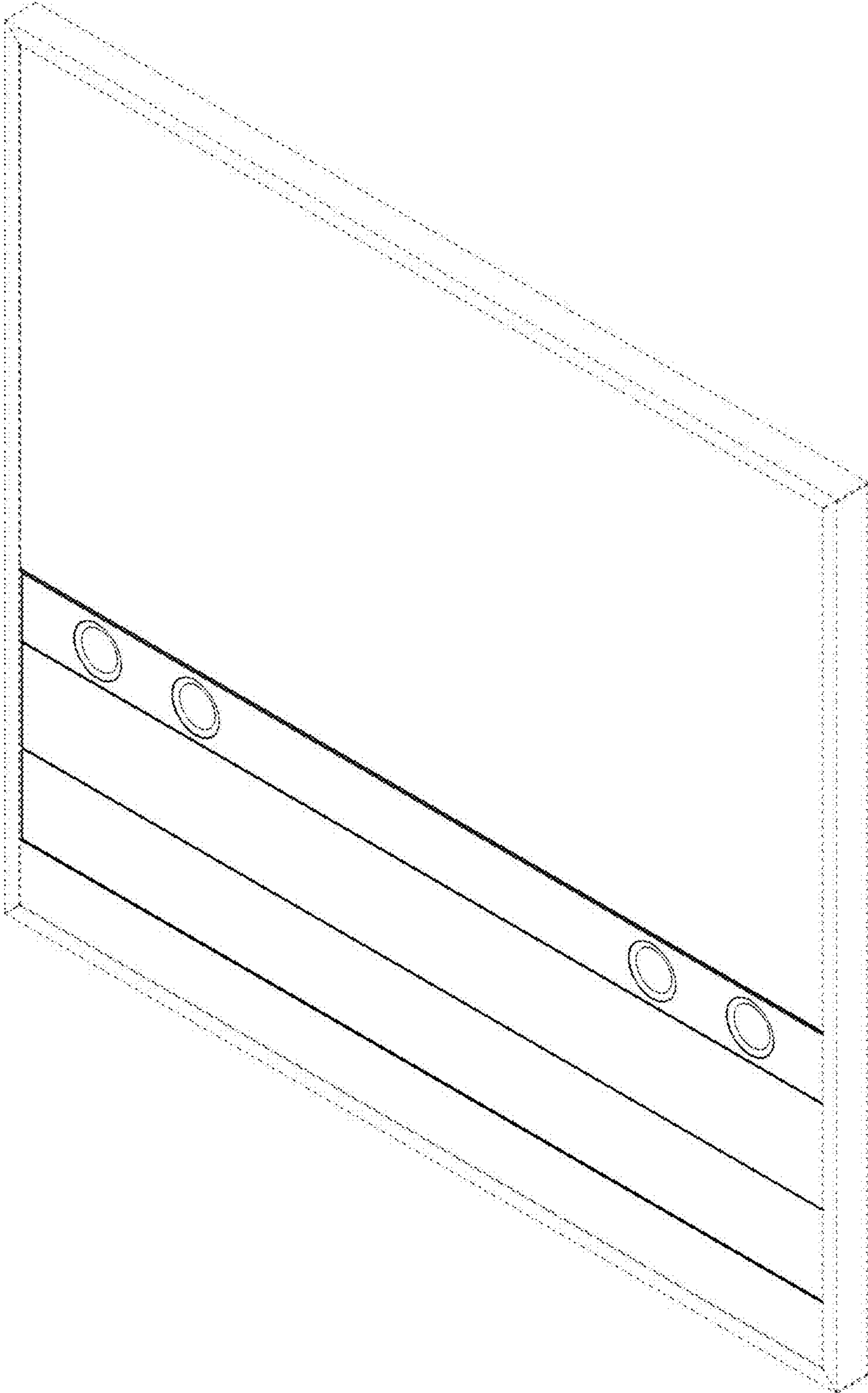
1.13



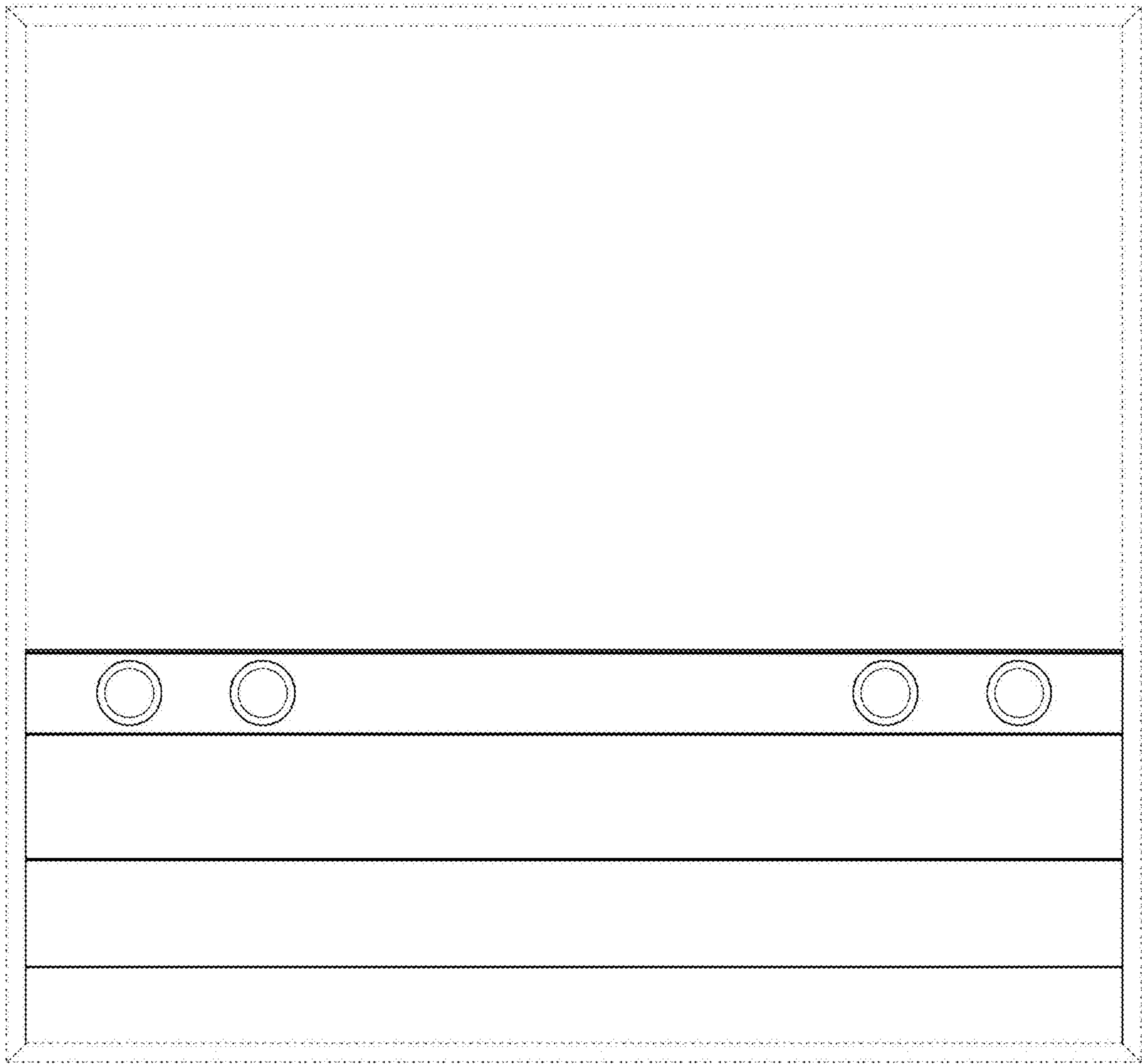
1.14



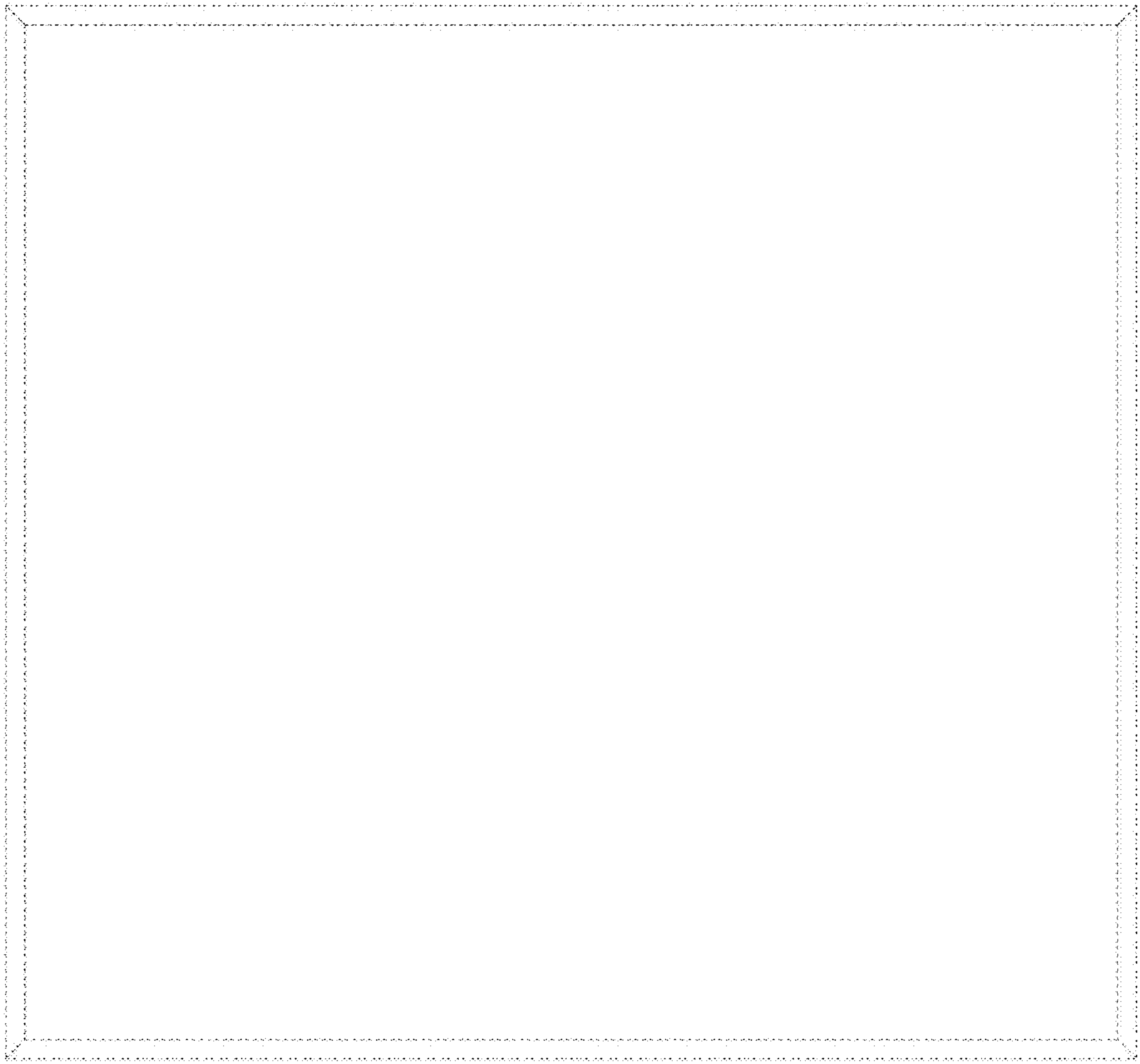
1.15



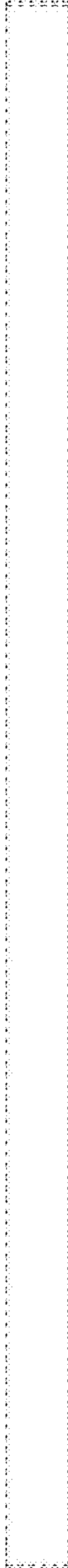
1.16



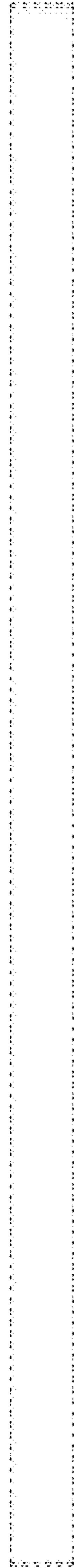
1.17



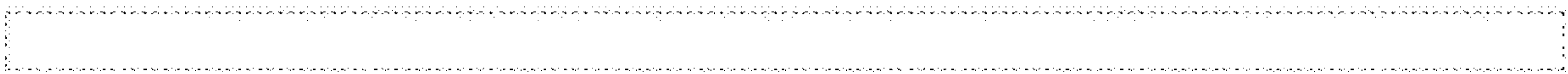
1.18



1.19



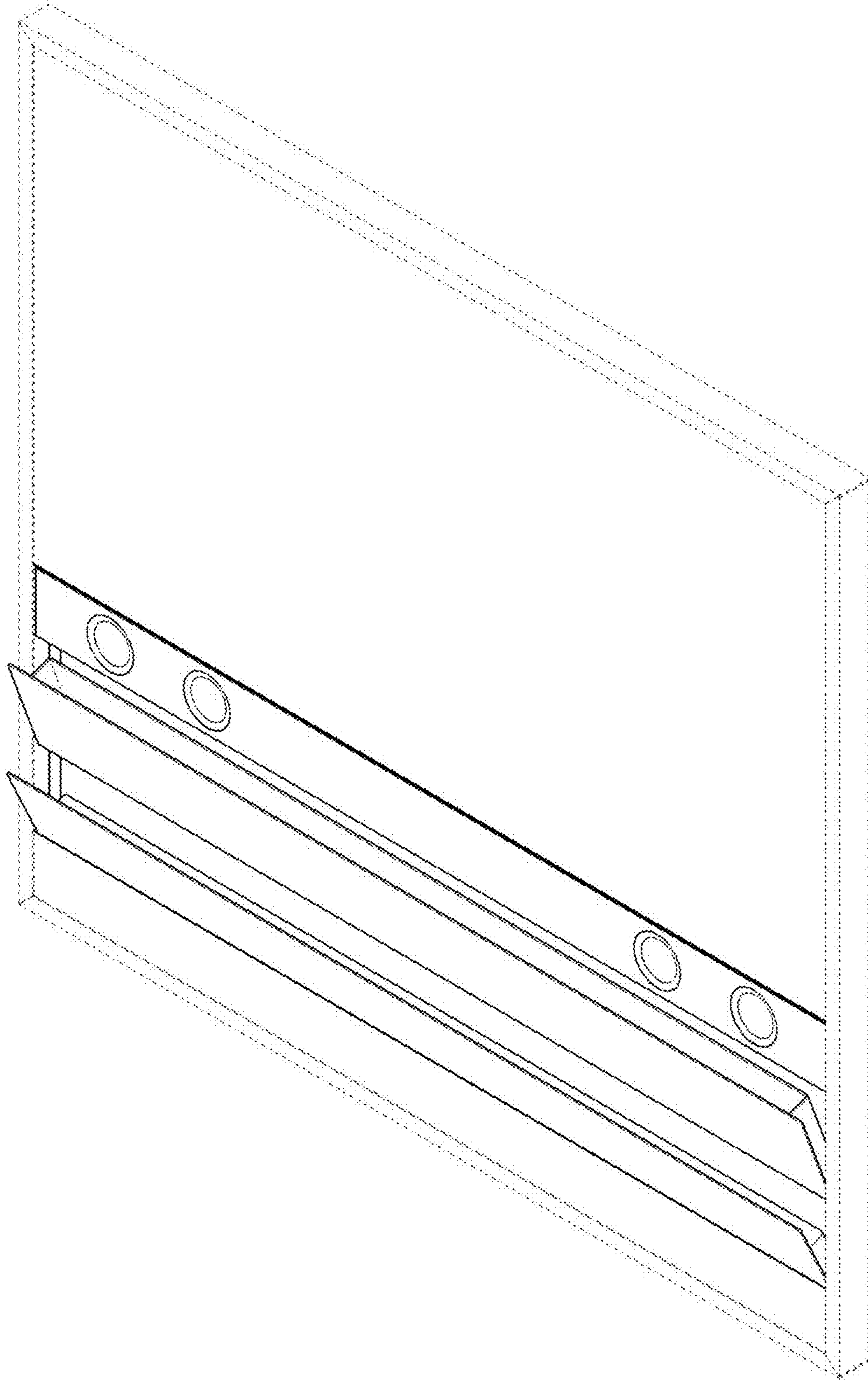
1.20



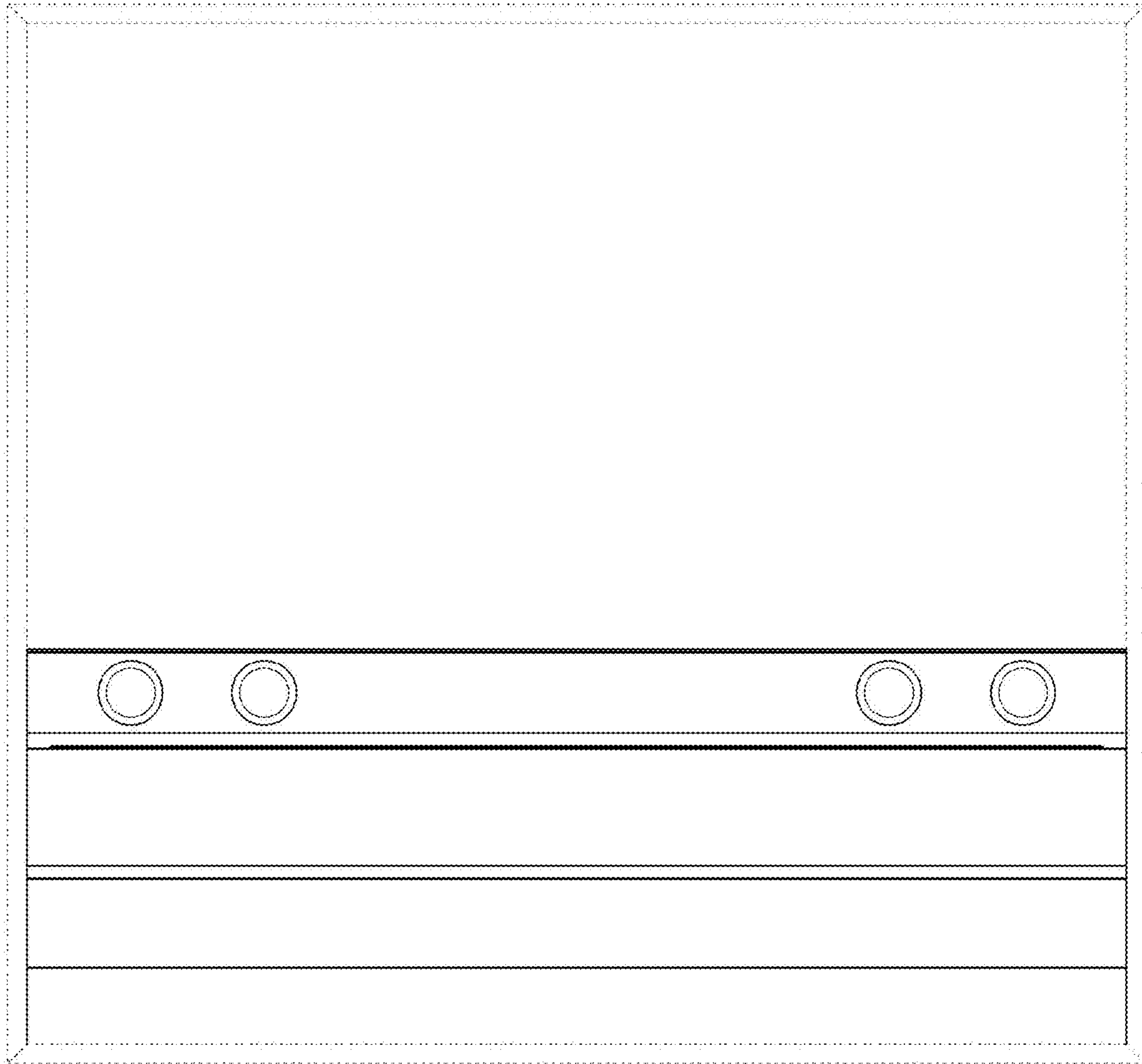
1.21



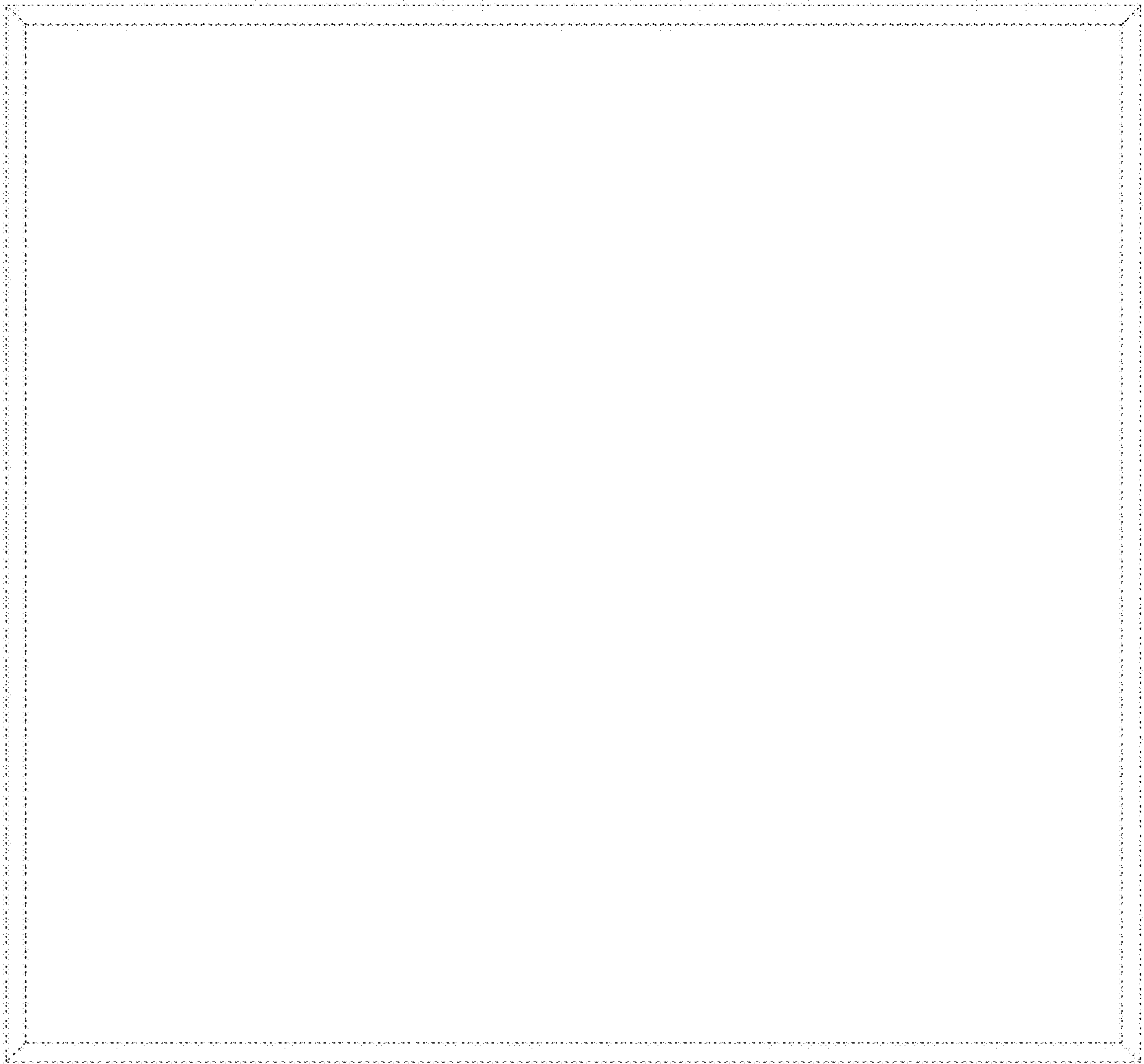
1.22



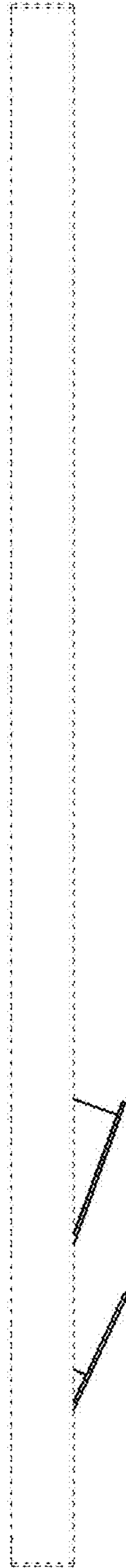
1.23



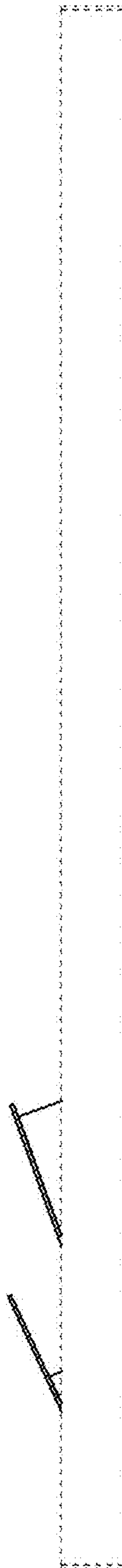
1.24



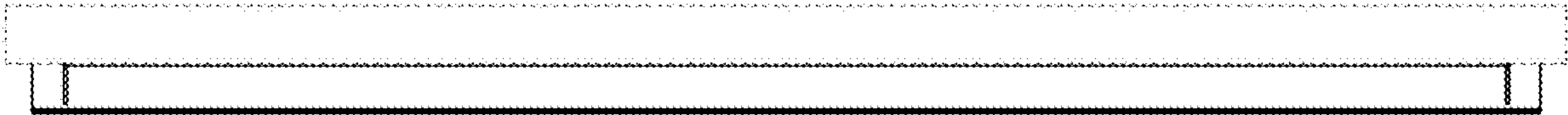
1.25



1.26



1.27



1.28

