



US00D926146S

(12) **United States Design Patent** (10) **Patent No.:** **US D926,146 S**  
**Loussert** (45) **Date of Patent:** **\*\* Jul. 27, 2021**

(54) **ELECTRIC ACTUATOR**  
(71) Applicant: **SONCEBOZ AUTOMOTIVE SA,**  
Sonceboz (CH)  
(72) Inventor: **Guillaume Loussert,** Besançon (FR)  
(\*\*) Term: **15 Years**  
(21) Appl. No.: **35/509,115**  
(22) Filed: **Apr. 18, 2019**  
(80) **Hague Agreement Data**  
Int. Filing Date: **Apr. 18, 2019**  
Int. Reg. No.: **DM/207095**  
Int. Reg. Date: **Apr. 18, 2019**  
Int. Reg. Pub. Date: **Apr. 17, 2020**  
(51) **LOC (13) Cl.** ..... **13-03**  
(52) **U.S. Cl.**  
USPC ..... **D13/174**  
(58) **Field of Classification Search**  
USPC ..... D13/174, 147, 158, 101, 112, 173, 159,  
D13/133, 146, 123; D23/233; D15/149,  
D15/148; D26/28  
CPC ..... H05K 3/325; F01L 1/344; F16K 31/055;  
H02K 33/18; H02K 11/0141  
See application file for complete search history.

D650,337 S \* 12/2011 Bonomi ..... D13/158  
D678,194 S \* 3/2013 Lannoch ..... D13/112  
D678,221 S \* 3/2013 Lukito ..... D13/174  
D701,168 S \* 3/2014 Hiemer ..... D13/112  
D730,844 S \* 6/2015 McClung ..... D13/158  
D793,970 S \* 8/2017 Nguyen ..... F01L 1/344  
D13/173  
10,054,166 B2 \* 8/2018 Bakken ..... F16K 31/055  
D844,038 S \* 3/2019 Alfano ..... D15/148  
D846,011 S \* 4/2019 Ishikawa ..... D15/149  
D846,012 S \* 4/2019 Ishikawa ..... D15/149  
D857,935 S \* 8/2019 Tajima ..... D26/28  
D871,340 S \* 12/2019 Barrefelt ..... D13/133  
D881,131 S \* 4/2020 Tovey ..... D13/146  
D897,497 S \* 9/2020 Williams ..... D23/233  
D901,402 S \* 11/2020 Mueller ..... D13/159  
D902,154 S \* 11/2020 Hirabayashi ..... D13/112  
D908,624 S \* 1/2021 Pope ..... D13/112  
2008/0197728 A1 \* 8/2008 Loussert ..... H02K 11/0141  
310/71  
2011/0043345 A1 \* 2/2011 Strahm ..... H05K 3/325  
340/438  
2018/0375416 A1 \* 12/2018 Loussert ..... H02K 33/18

\* cited by examiner

Primary Examiner — Rhea Shields

(57) **CLAIM**

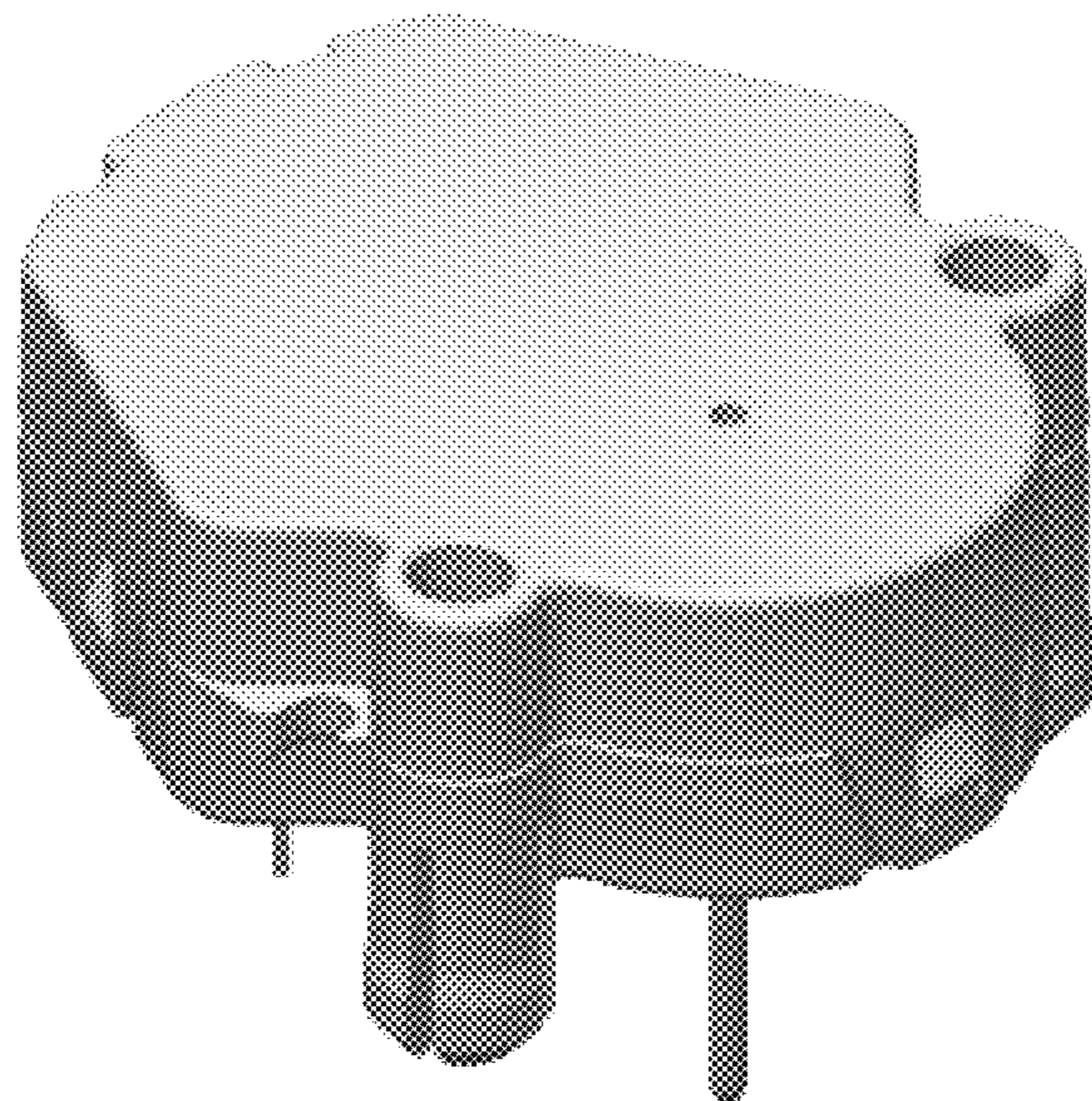
The ornamental design for an electric actuator, as shown and described.

**DESCRIPTION**

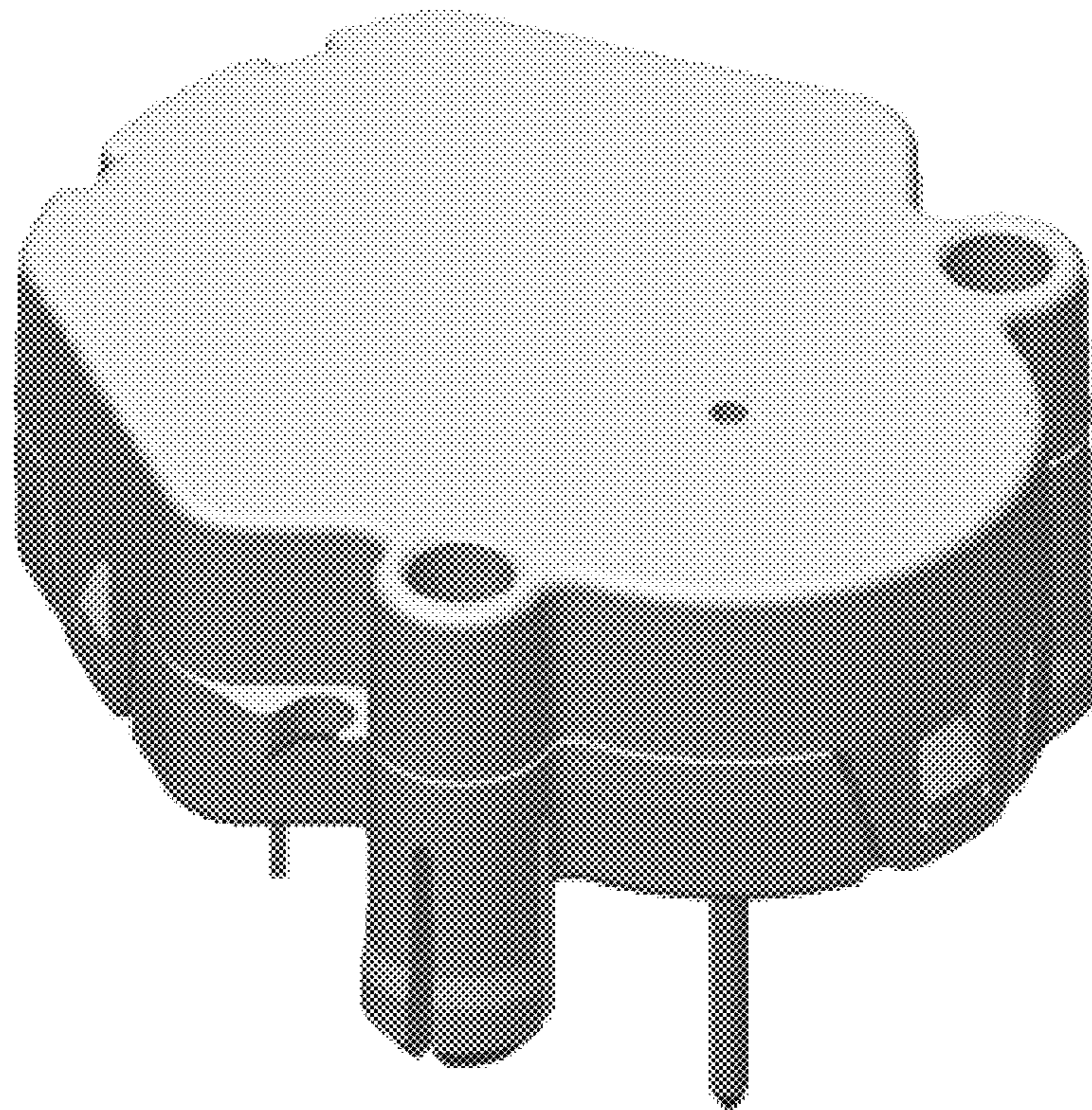
1. Electric actuator  
1.1 : top, in front right perspective  
1.2 : top, in front perspective  
1.3 : top, in front left perspective  
1.4 : bottom, in rear left perspective  
1.5 : bottom, in rear perspective  
1.6 : bottom, in rear right perspective  
This is an actuator used for moving the pointer of a dash-board indicator.

**1 Claim, 6 Drawing Sheets**

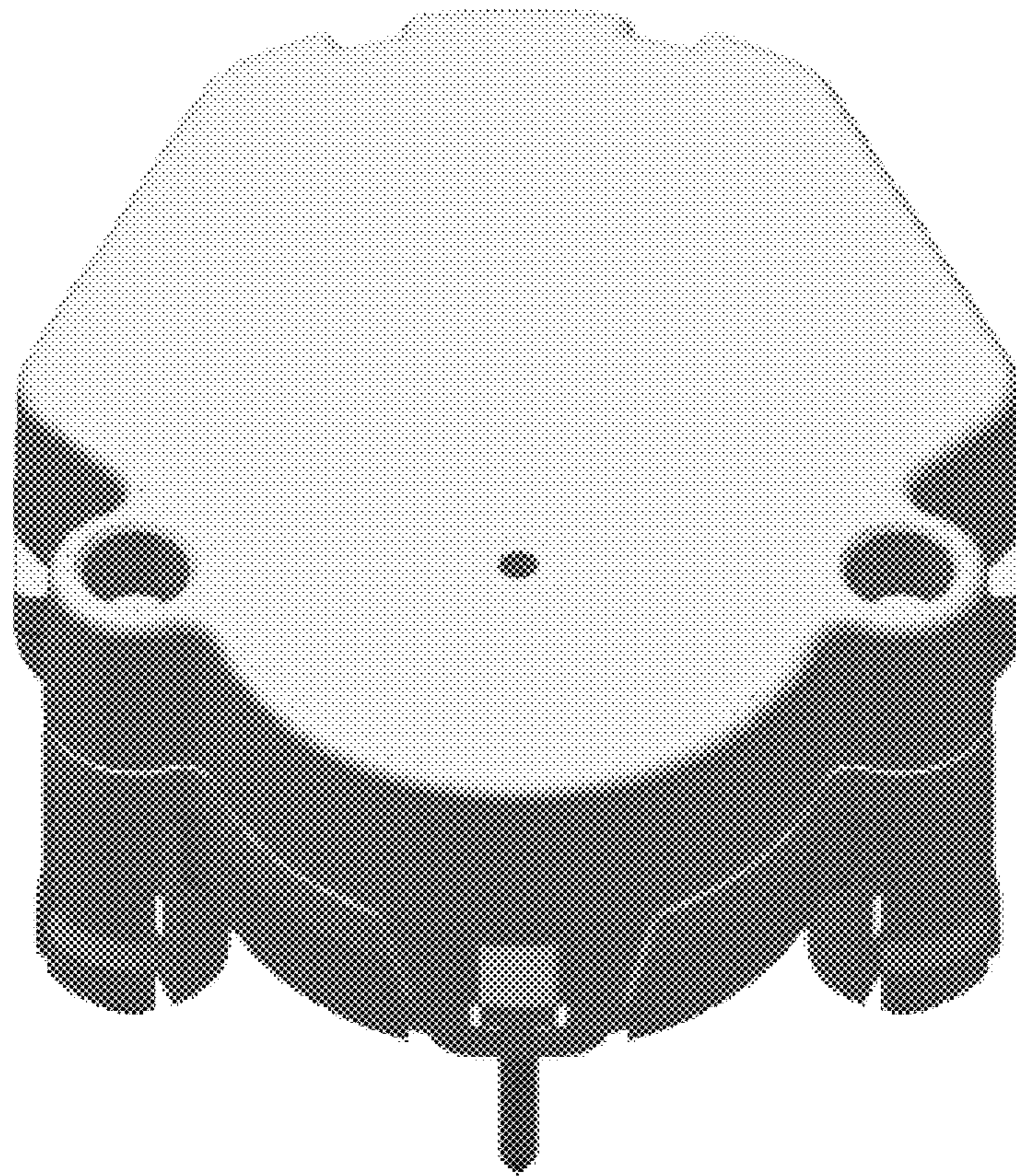
(56) **References Cited**  
U.S. PATENT DOCUMENTS  
D533,137 S \* 12/2006 Henriksson ..... D13/147  
D549,663 S \* 8/2007 Tsou ..... D13/147  
D563,865 S \* 3/2008 Ahlgren ..... D13/101  
D571,290 S \* 6/2008 Gebhart ..... D13/112  
D587,211 S \* 2/2009 Greenslade ..... D13/123  
D587,661 S \* 3/2009 Blakesley ..... D13/158  
D609,194 S \* 2/2010 Lin ..... D13/158  
D614,149 S \* 4/2010 Crites ..... D13/174  
D614,150 S \* 4/2010 Crites ..... D13/174



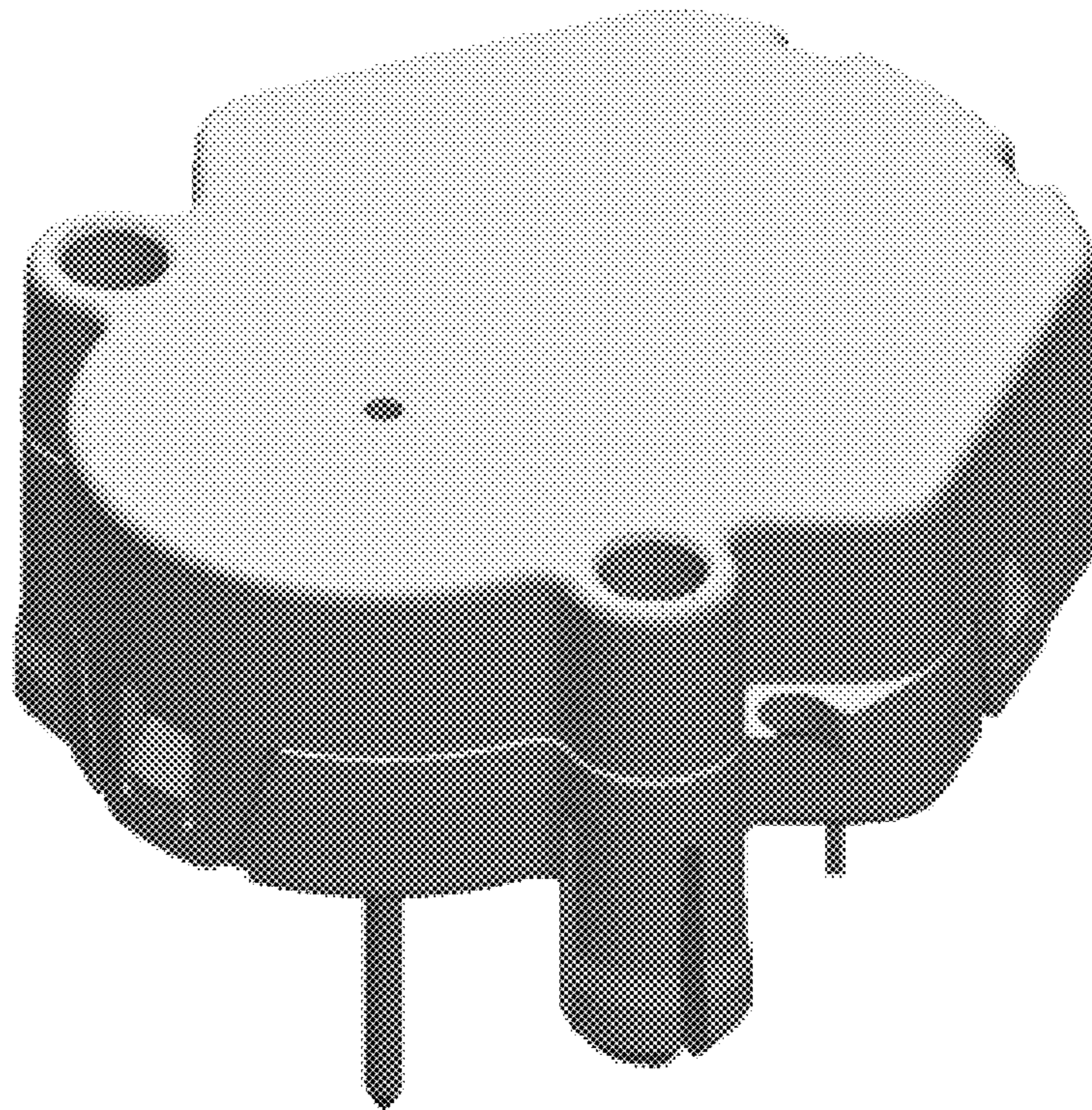
**1.1**



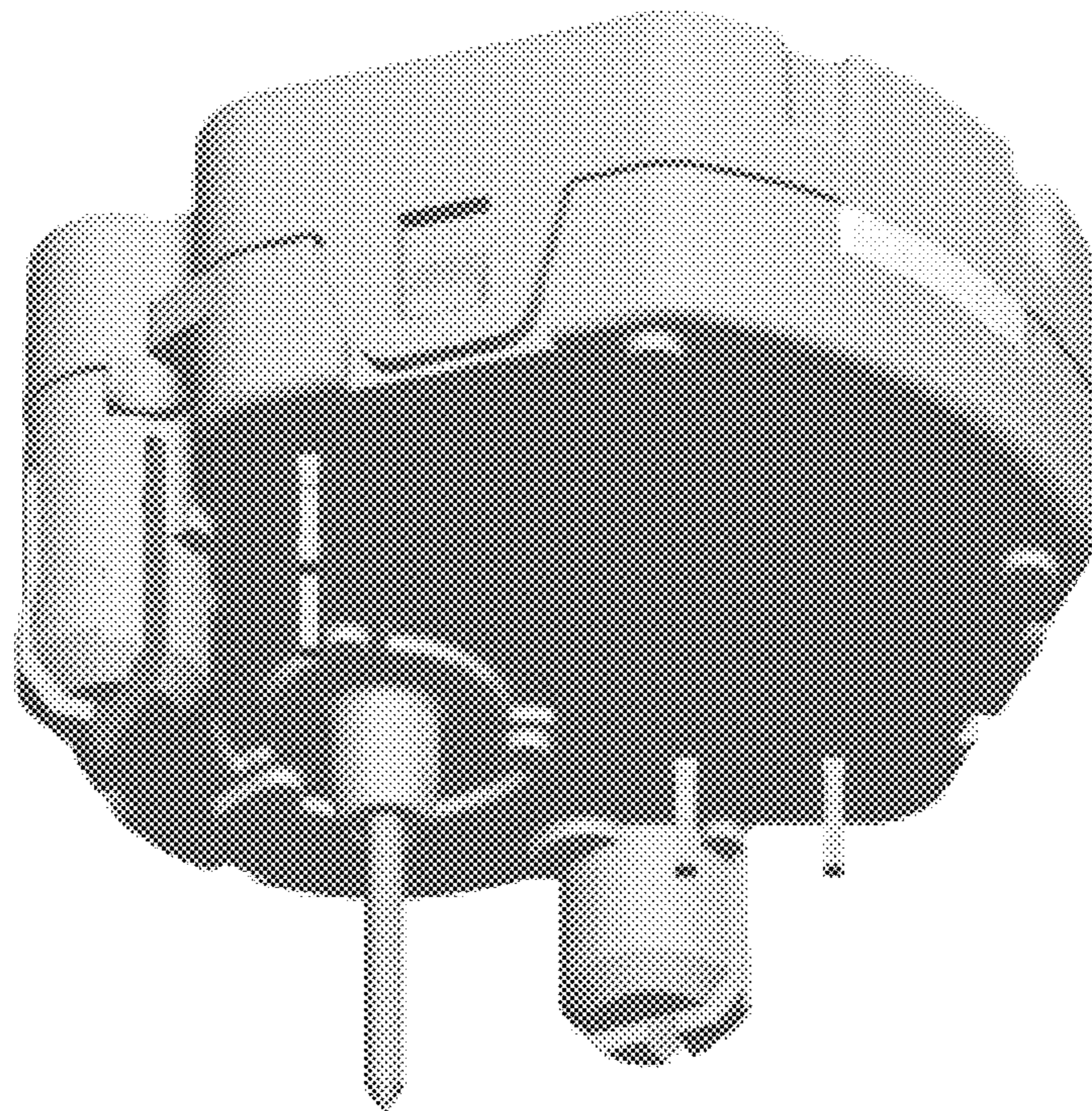
**1.2**



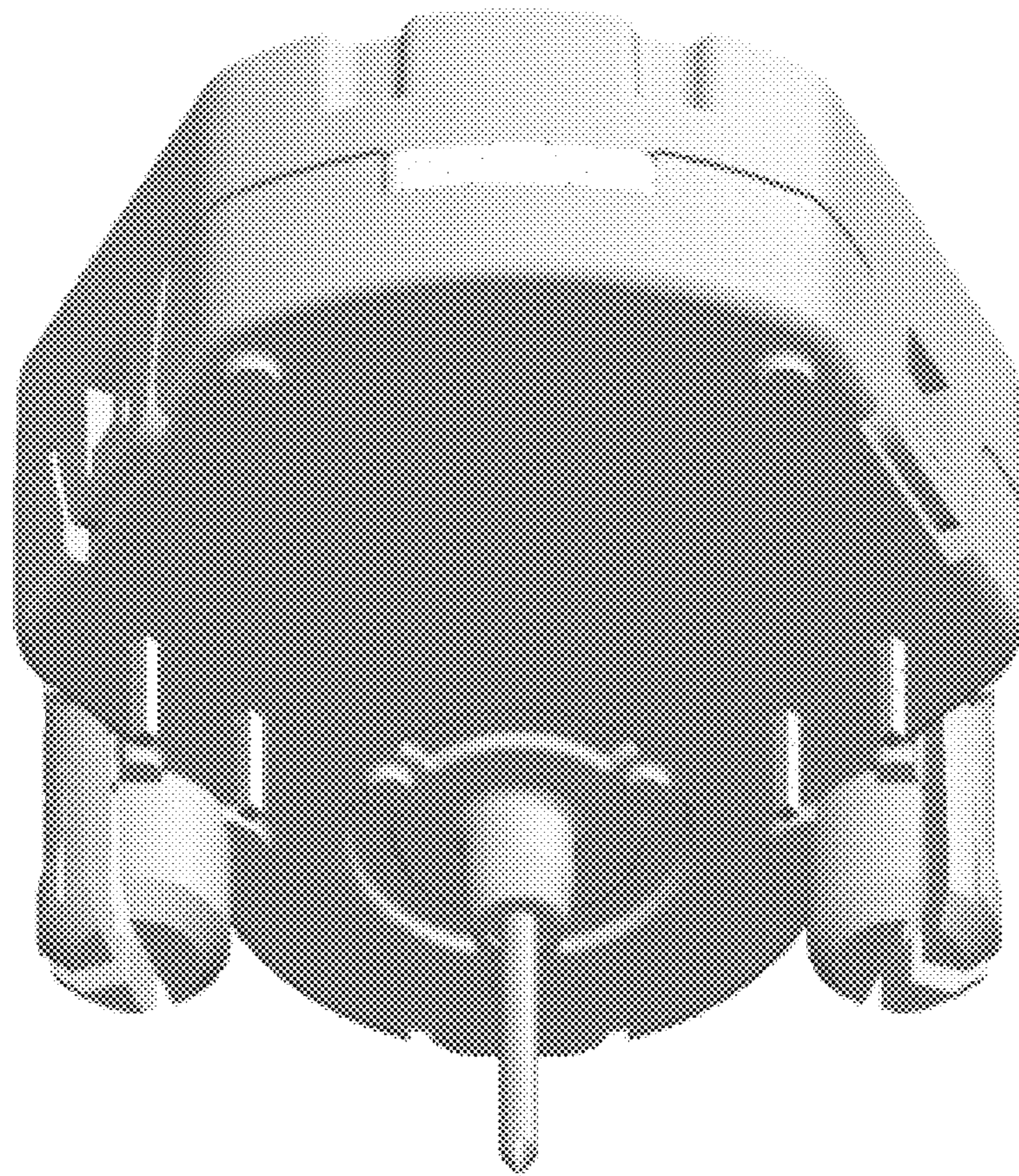
**1.3**



**1.4**



**1.5**



# 1.6

