



US00D926145S

(12) **United States Design Patent** (10) **Patent No.:** **US D926,145 S**
Fu et al. (45) **Date of Patent:** **** Jul. 27, 2021**

(54) **CONTROL MODULE**
(71) Applicant: **SCHNEIDER ELECTRIC (AUSTRALIA) PTY LTD**, Macquarie Park (AU)
(72) Inventors: **Jiayu Fu**, Shenzhen (CN); **Fuhua Shan**, Shenzhen (CN)
(73) Assignee: **Schneider Electric (Australia) PTY LTD**, Macquarie Park (AU)
(**) Term: **15 Years**
(21) Appl. No.: **29/703,906**
(22) Filed: **Aug. 30, 2019**
(51) **LOC (13) Cl.** **13-03**
(52) **U.S. Cl.**
USPC **D13/162**
(58) **Field of Classification Search**
USPC D13/158, 162, 164, 165, 169, 170, 171, D13/173, 174, 177, 184, 199, 125, 160; D10/106.8, 106.6; D8/353
CPC H01H 3/02; H01H 3/0213; H01H 3/12; H01H 3/122; H01H 9/061; H01H 9/02; H01H 9/16; H01H 9/161; H01H 9/18; H01H 9/182; H01H 13/12; H01H 13/04; H01H 13/14; H01H 9/181; H01H 2009/187; H01H 23/00; H05B 39/088
See application file for complete search history.

(56) **References Cited**
U.S. PATENT DOCUMENTS
D335,282 S * 5/1993 Jurell D13/170
D533,844 S * 12/2006 Larson D13/162
D535,950 S * 1/2007 Alker D13/162

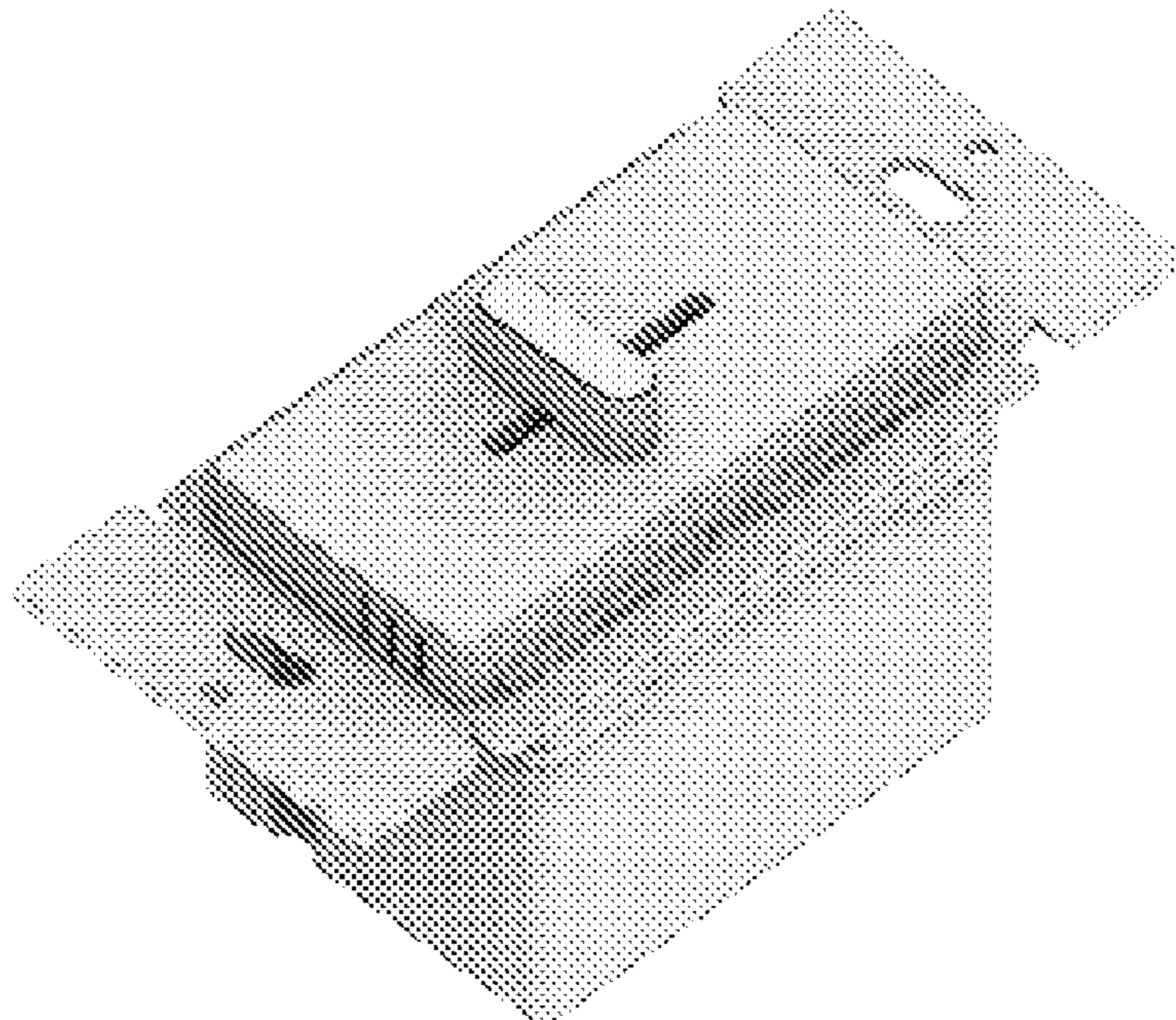
D558,151 S * 12/2007 Spira D13/162
D562,260 S * 2/2008 Pessina D13/162
D577,686 S * 9/2008 Ni D13/162
D582,863 S * 12/2008 Ni H01C 10/30
D13/169
D830,857 S * 10/2018 Ni D10/40
2007/0272535 A1* 11/2007 Sloan H01C 10/30
200/550
2009/0256483 A1* 10/2009 Gehman H05B 47/19
315/129

* cited by examiner
Primary Examiner — Vy N Koenig
Assistant Examiner — Seth David Kumpf
(74) *Attorney, Agent, or Firm* — Locke Lord LLP

(57) **CLAIM**
The ornamental design for a control module, as shown and described.

DESCRIPTION
FIG. 1 is a front view of the control module;
FIG. 2 is a back view of the control module shown in FIG. 1;
FIG. 3 is a top view of the control module shown in FIG. 1;
FIG. 4 is a bottom view of the control module shown in FIG. 1;
FIG. 5 is a left view of the control module shown in FIG. 1;
FIG. 6 is a right view of the control module shown in FIG. 1; and,
FIG. 7 is a first perspective view of the control module shown in FIG. 1.
The broken lines in the drawings are for the purpose of illustrating portions of the control module that form no part of the claimed design.

1 Claim, 5 Drawing Sheets



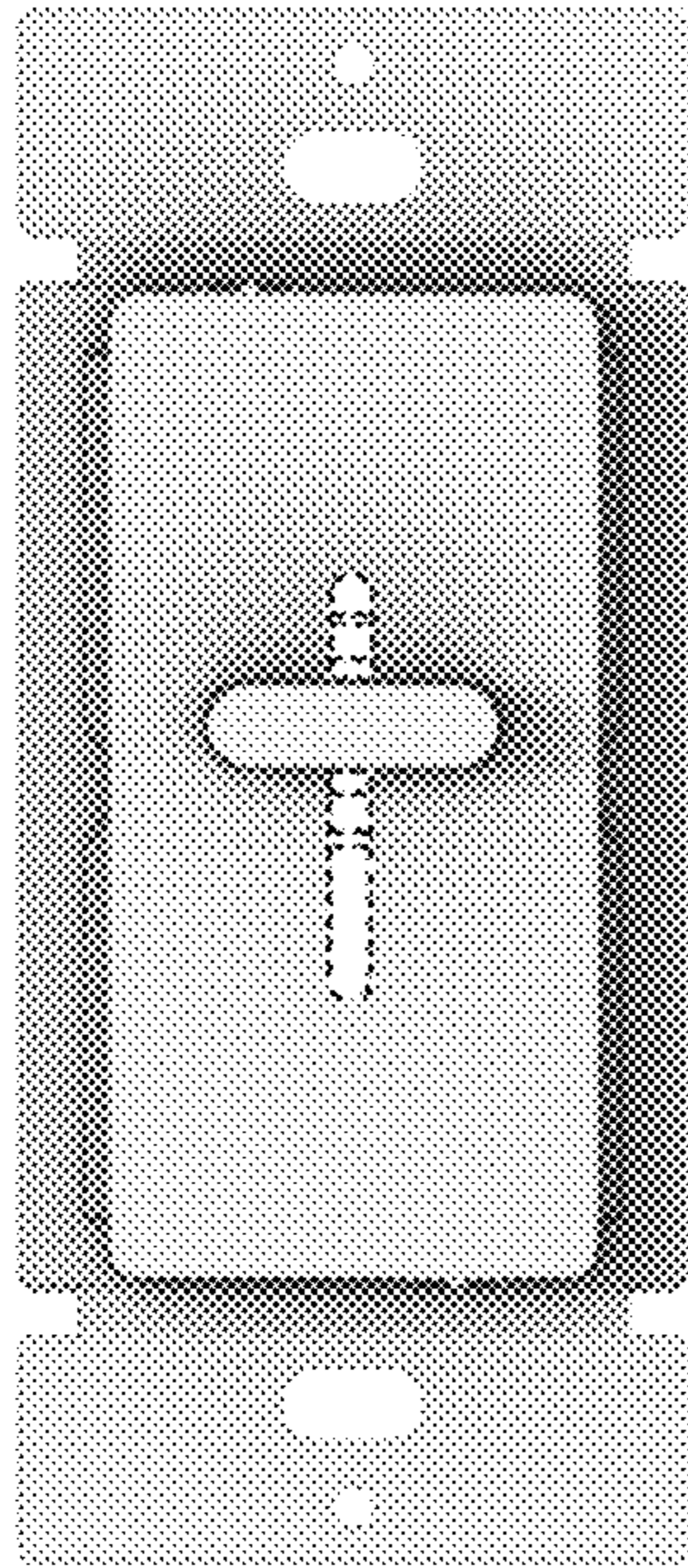


Fig. 1

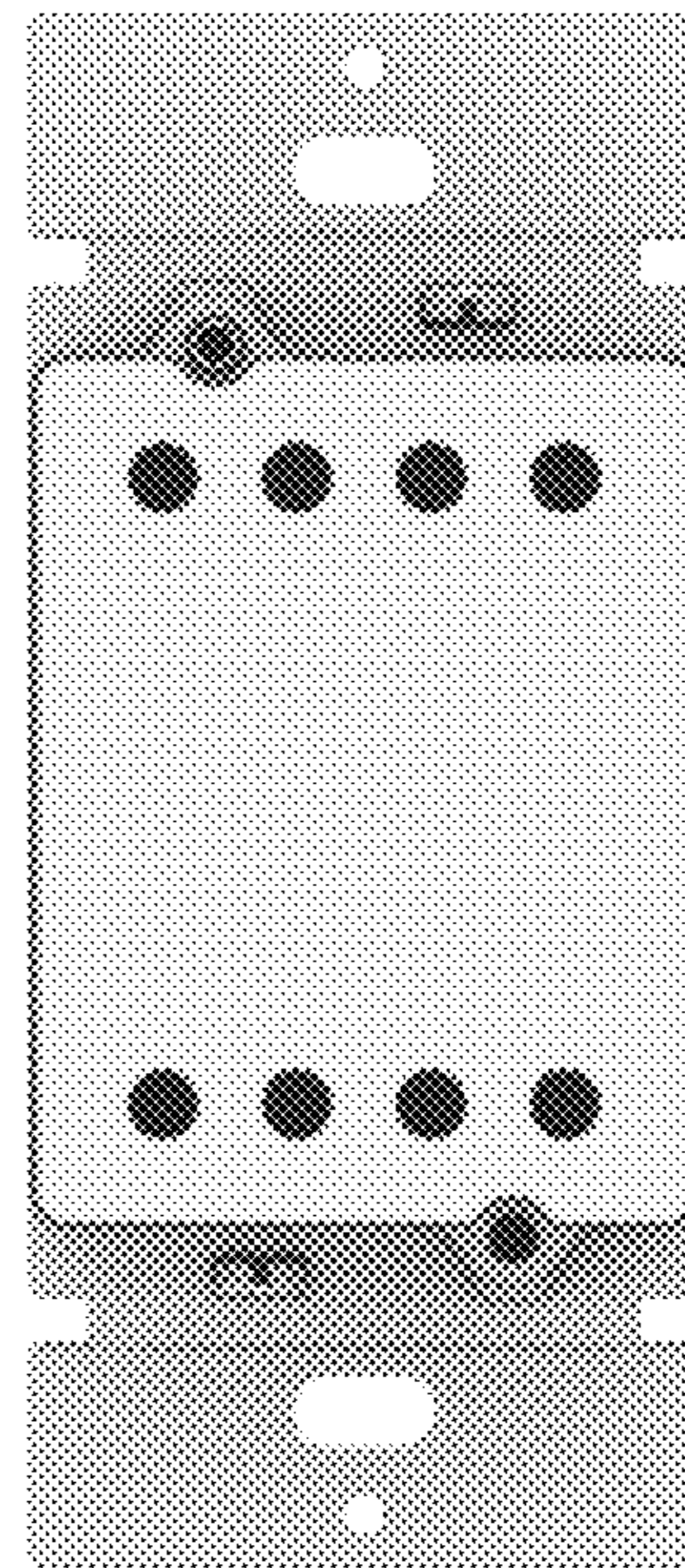


Fig. 2

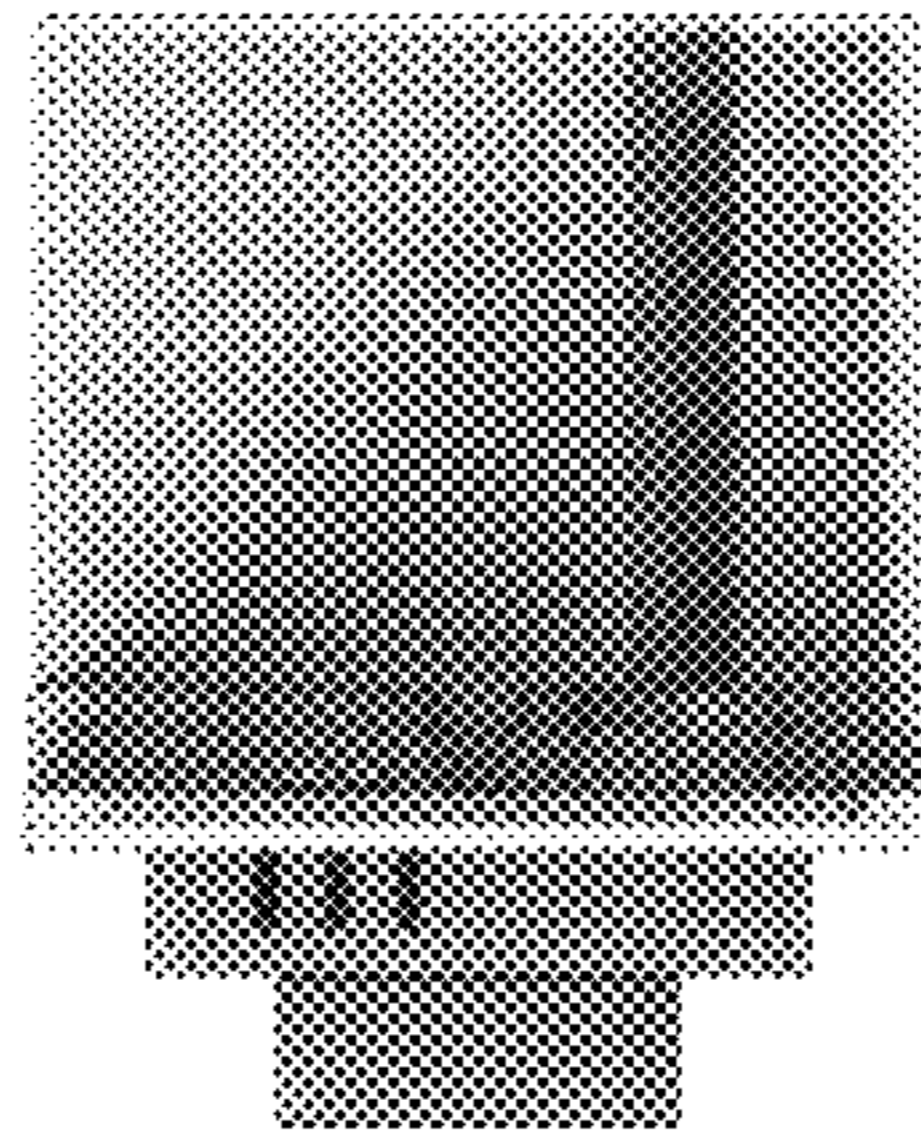


Fig. 3

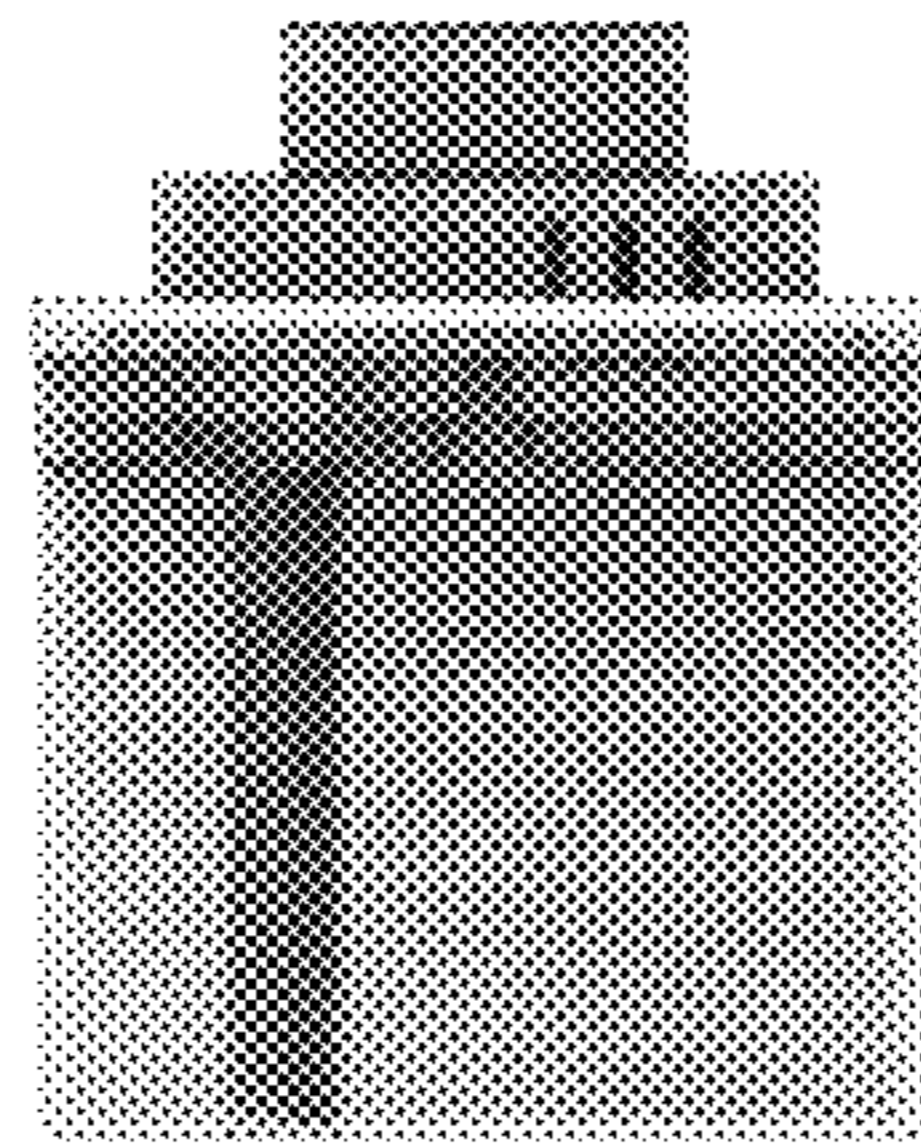


Fig. 4

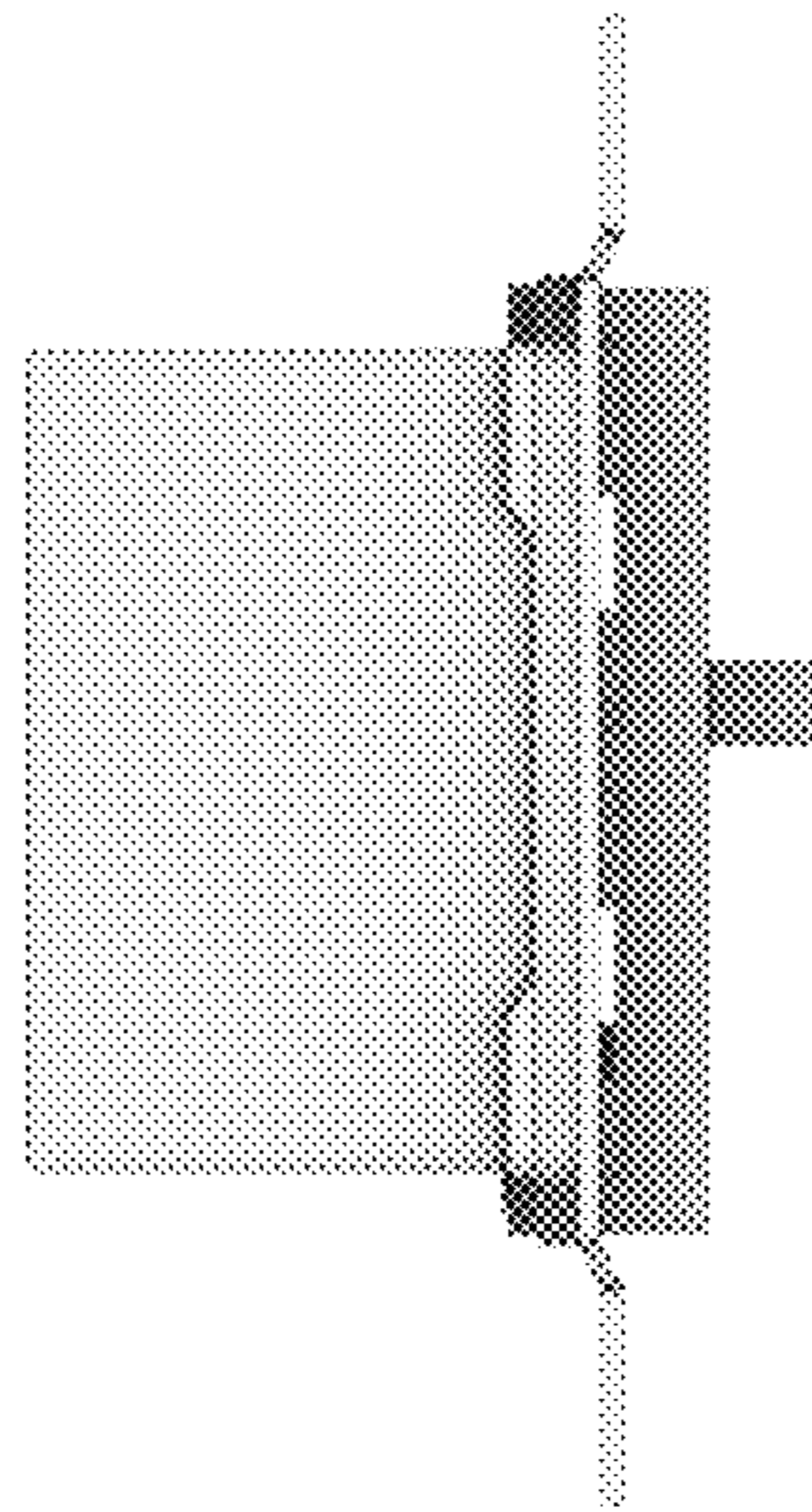


Fig. 5

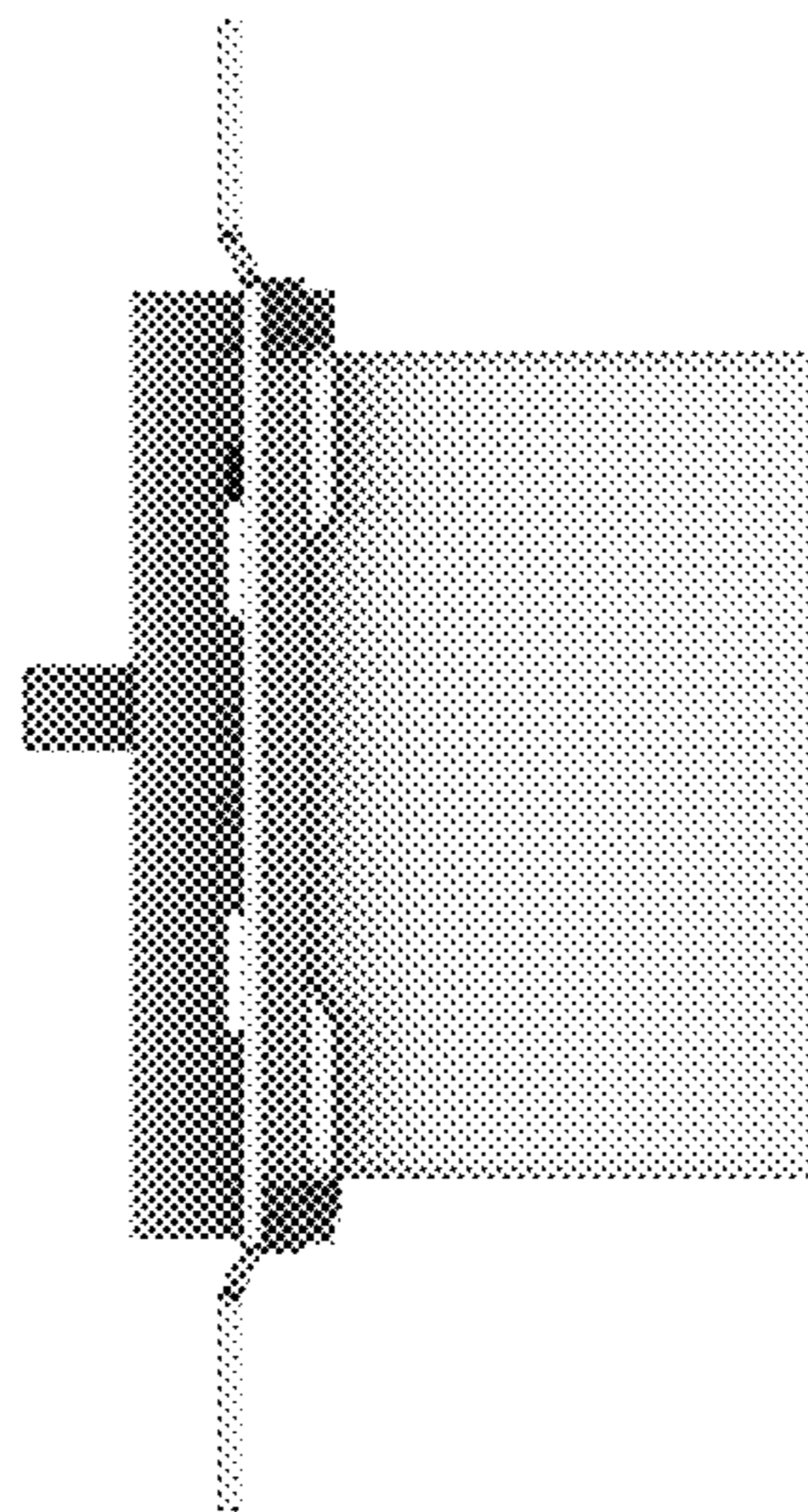


Fig. 6

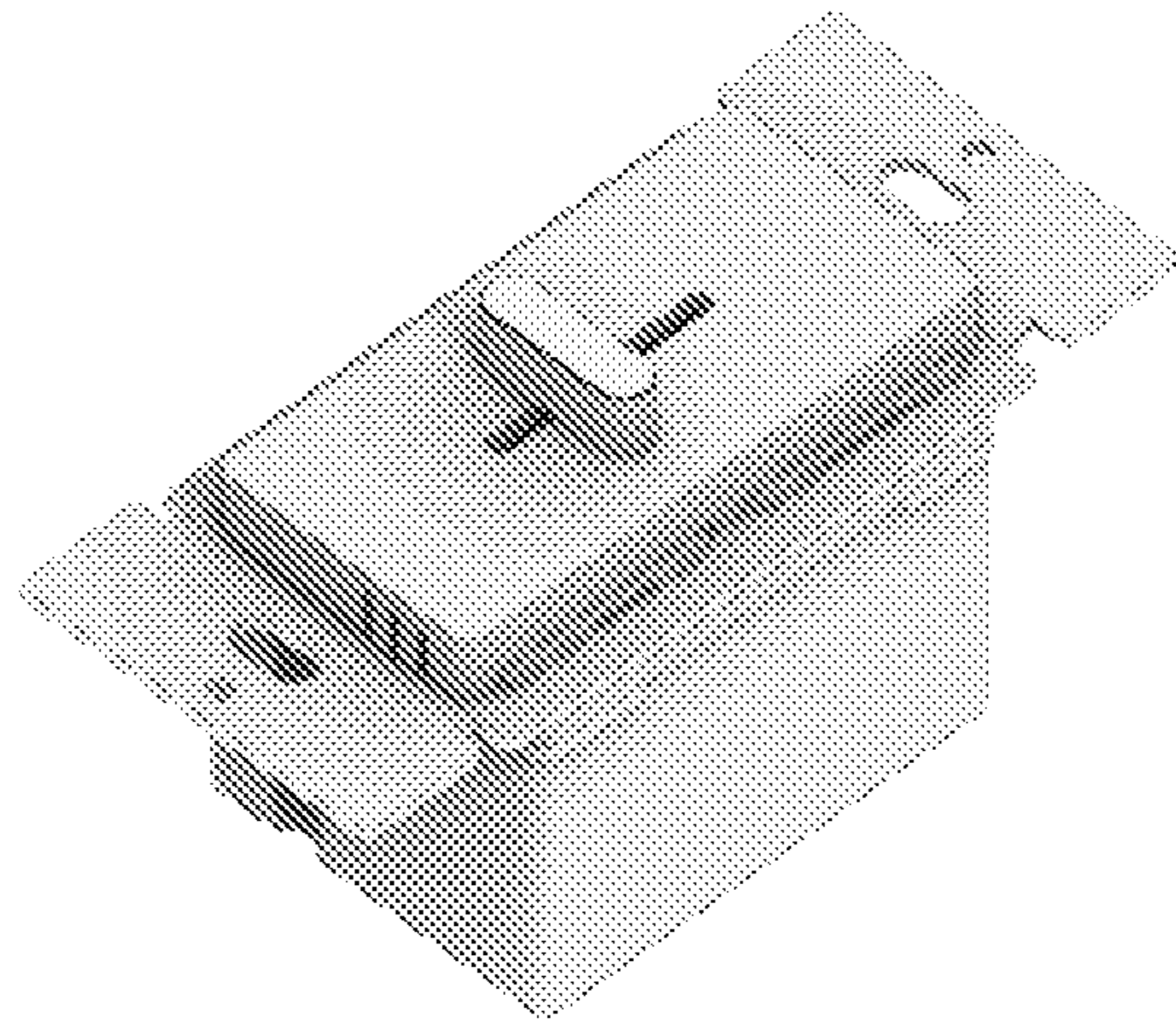


Fig. 7