



US00D926144S

(12) **United States Design Patent** (10) **Patent No.:** **US D926,144 S**  
**Musser et al.** (45) **Date of Patent:** **\*\* Jul. 27, 2021**

(54) **CONTACT**

(71) Applicant: **Samtec, Inc.**, New Albany, IN (US)  
(72) Inventors: **Randall E. Musser**, New Albany, IN (US); **Jonathan E. Buck**, New Albany, IN (US)  
(73) Assignee: **SAMTEC, INC.**, New Albany, IN (US)  
(\*\*) Term: **15 Years**  
(21) Appl. No.: **29/773,722**  
(22) Filed: **Mar. 11, 2021**

6,325,682 B1 \* 12/2001 Seidler ..... H01R 4/187  
439/83  
6,343,951 B1 2/2002 Ono et al.  
6,699,048 B2 3/2004 Johnson et al.  
6,918,776 B2 7/2005 Spink, Jr.  
6,969,286 B1 \* 11/2005 Mongold ..... H01R 12/57  
439/874  
7,341,482 B2 3/2008 Ngo  
7,422,447 B2 9/2008 Daily et al.  
D578,075 S \* 10/2008 Yang ..... D13/154  
D607,836 S \* 1/2010 Yang ..... D13/154  
D678,843 S 3/2013 Faith  
(Continued)

**Related U.S. Application Data**

(63) Continuation of application No. 29/652,012, filed on Nov. 5, 2018.  
(51) **LOC (13) Cl.** ..... **13-03**  
(52) **U.S. Cl.**  
USPC ..... **D13/154**  
(58) **Field of Classification Search**  
USPC ..... D13/118, 120, 121, 123, 133, 146, 147, D13/149, 151, 153, 154, 173, 184, 199  
CPC ..... H01R 12/00; H01R 12/50; H01R 12/58; H01R 12/70; H01R 12/71; H01R 13/00; H01R 13/62; H01R 13/646; H01R 13/648; H01R 13/658; H01R 13/6585; H01R 24/00; H01R 24/60  
See application file for complete search history.

**FOREIGN PATENT DOCUMENTS**

EP 1 544 949 A1 6/2005

**OTHER PUBLICATIONS**

Musser et al., "Connector", U.S. Appl. No. 29/773,719, filed Mar. 11, 2021.  
(Continued)

*Primary Examiner* — Shawn T Gingrich  
(74) *Attorney, Agent, or Firm* — Keating & Bennett, LLP

(57) **CLAIM**

The ornamental design for a contact, as shown and described.

**DESCRIPTION**

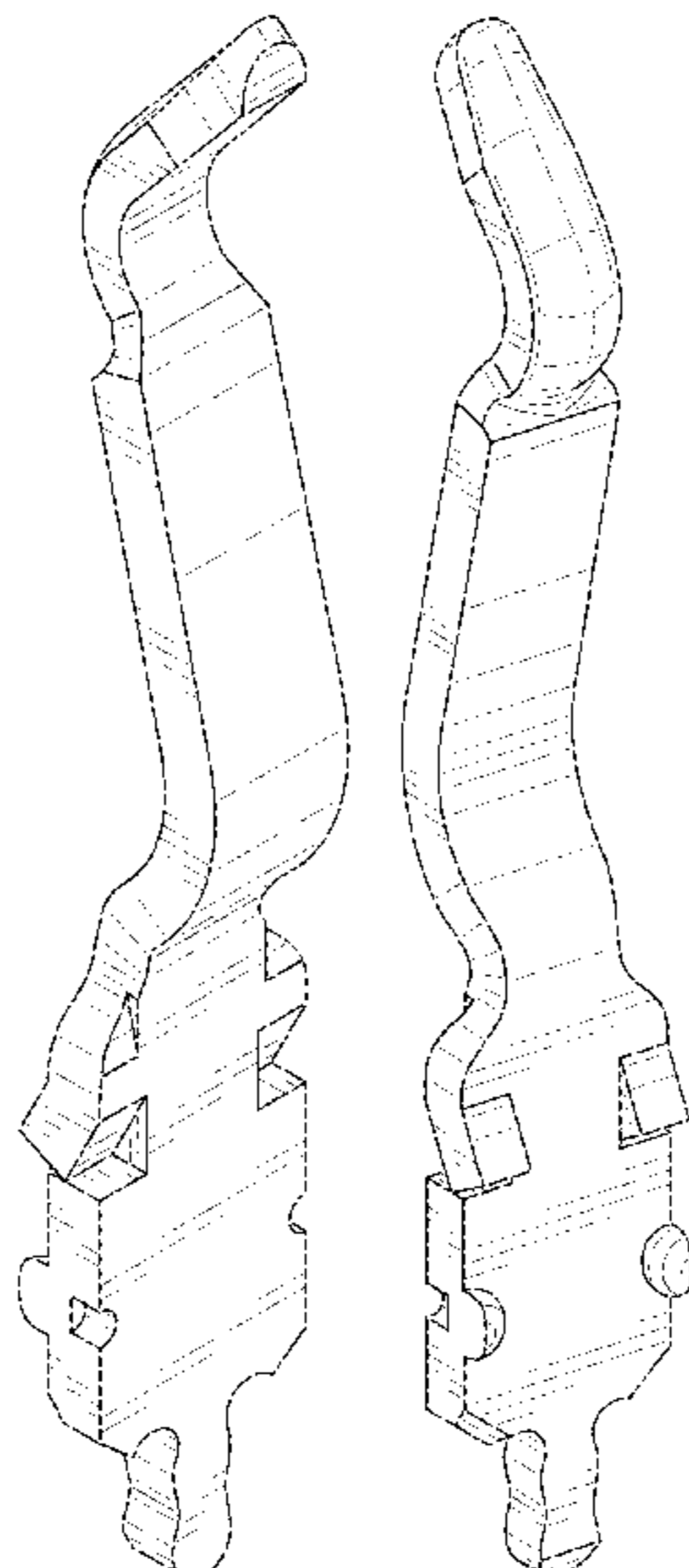
FIG. 1 is a top, front, and left side perspective view of a contact showing our new design;  
FIG. 2 is a top, back, and right side perspective view thereof;  
FIG. 3 is a front view thereof;  
FIG. 4 is a back view thereof;  
FIG. 5 is a left view thereof;  
FIG. 6 is a right view thereof;  
FIG. 7 is a top view thereof; and,  
FIG. 8 is a bottom view thereof.

**1 Claim, 8 Drawing Sheets**

(56) **References Cited**

**U.S. PATENT DOCUMENTS**

4,647,130 A 3/1987 Blair et al.  
5,618,191 A 4/1997 Chikano et al.  
6,024,584 A \* 2/2000 Lemke ..... H01R 43/0256  
439/83  
6,053,776 A \* 4/2000 Bricaud ..... G06K 7/0021  
439/630



(56)

**References Cited**

U.S. PATENT DOCUMENTS

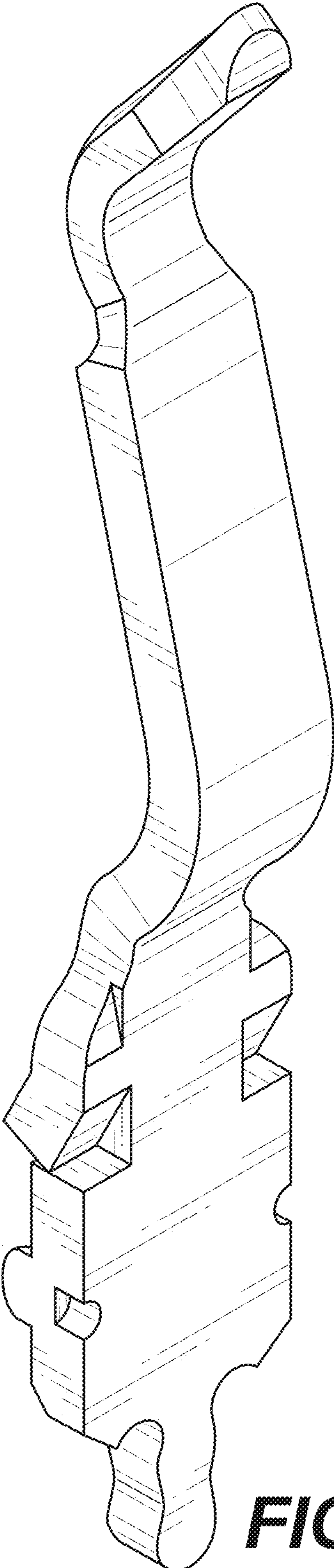
8,727,815	B1	5/2014	Mongold et al.	
D877,084	S *	3/2020	Buck .....	D13/147
D877,088	S *	3/2020	Musser .....	D13/154
D877,700	S *	3/2020	Buck .....	D13/133
D881,134	S *	4/2020	Musser .....	D13/154
2005/0277221	A1 *	12/2005	Mongold .....	H01R 13/6587 438/83
2006/0196857	A1 *	9/2006	Vicich .....	H01R 4/028 219/121.69
2009/0130912	A1	5/2009	Shuey et al.	
2011/0256763	A1	10/2011	De Geest et al.	
2012/0083155	A1	4/2012	Minich et al.	
2016/0134057	A1	5/2016	Buck et al.	
2017/0125946	A1	5/2017	Horchler et al.	
2021/0126401	A1 *	4/2021	Musser .....	H01R 13/6461

OTHER PUBLICATIONS

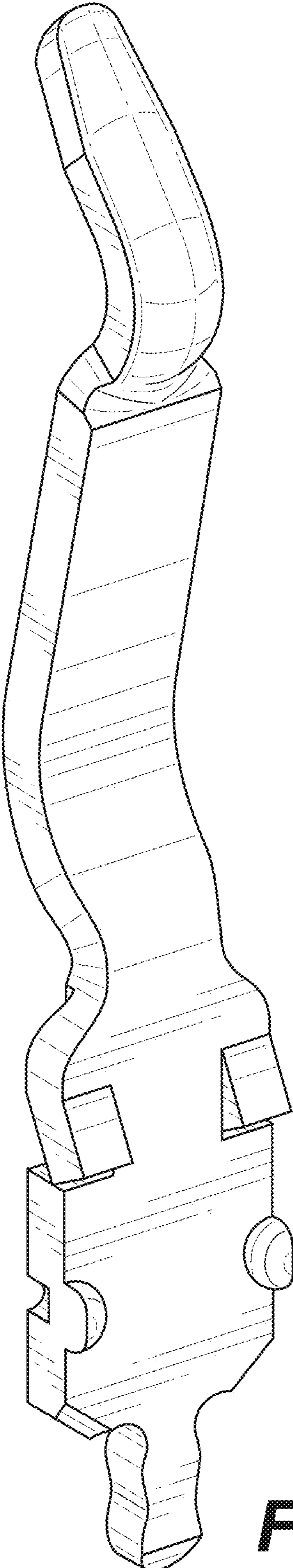
Musser et al., "Contact", U.S. Appl. No. 29/773,721, filed Mar. 11, 2021.  
 Musser et al., "Connector", U.S. Appl. No. 29/773,723, filed Mar. 11, 2021.

Musser et al., "Connector", U.S. Appl. No. 29/773,724, filed Mar. 11, 2021.  
 Musser et al., "Connector", U.S. Appl. No. 29/773,725, filed Mar. 11, 2021.  
 Musser et al., "Connector With Top- and Bottom-Stitched Contacts", U.S. Appl. No. 17/056,486, filed Nov. 18, 2020.  
 Musser et al., "Connector and Contact", U.S. Appl. No. 29/652,012, filed Nov. 5, 2018.  
 Musser et al., "Connector", U.S. Appl. No. 29/652,014, filed Dec. 17, 2018.  
 Musser et al., "Connector", U.S. Appl. No. 29/652,015, filed Dec. 17, 2018.  
 Musser et al., "Connector", U.S. Appl. No. 29/709,518, filed Oct. 15, 2019.  
 Musser et al., "Connector", U.S. Appl. No. 29/716,201, filed Dec. 6, 2019.  
 Musser et al., "Connector", U.S. Appl. No. 29/716,202, filed Dec. 6, 2019.  
 Musser et al., "Contact", U.S. Appl. No. 29/759,286, filed Nov. 20, 2020.  
 Official Communication issued in International Patent Application No. PCT/US2020/062389, dated Mar. 22, 2021.

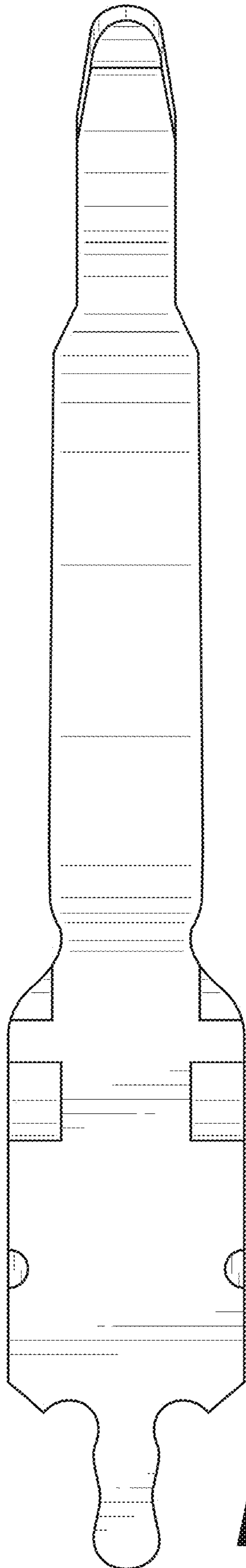
\* cited by examiner



**FIG. 1**

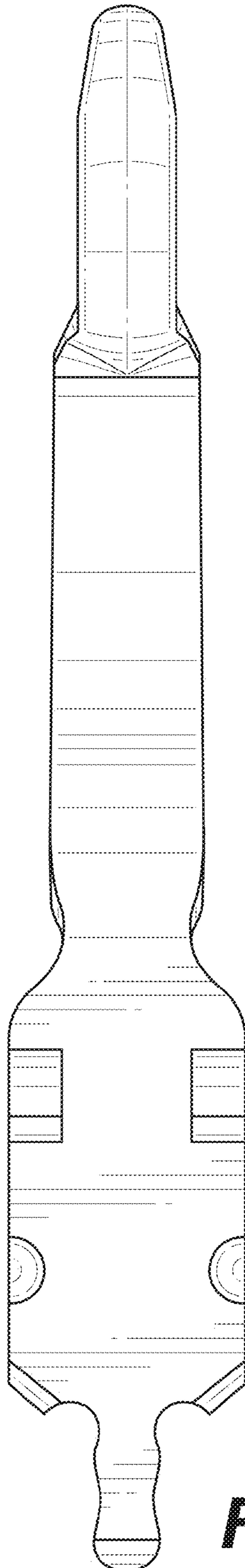


**FIG. 2**

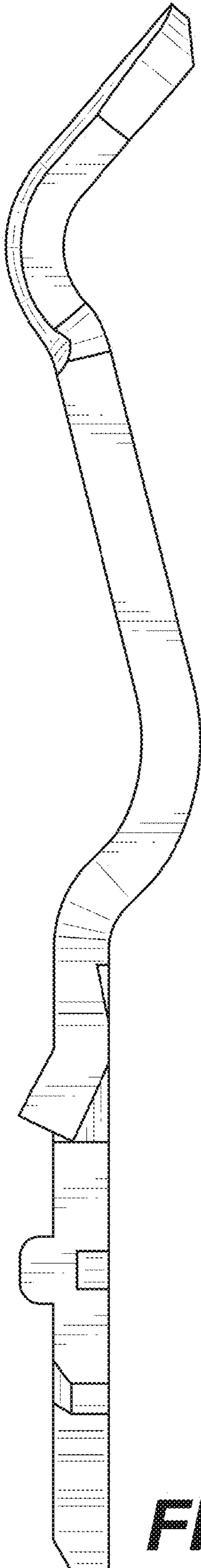


**FIG. 3**

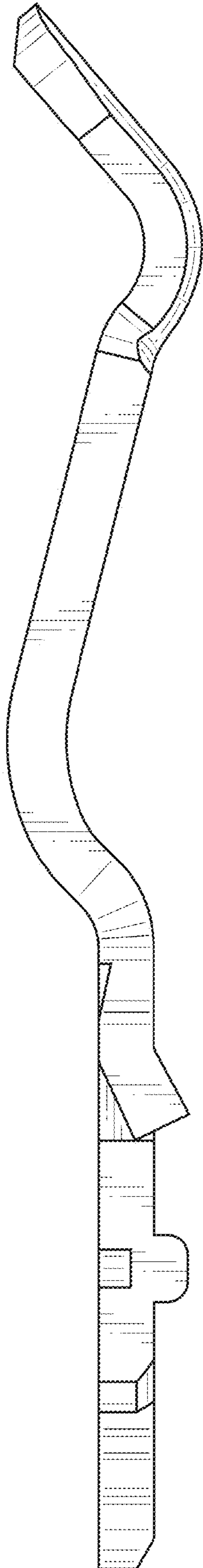




**FIG. 4**

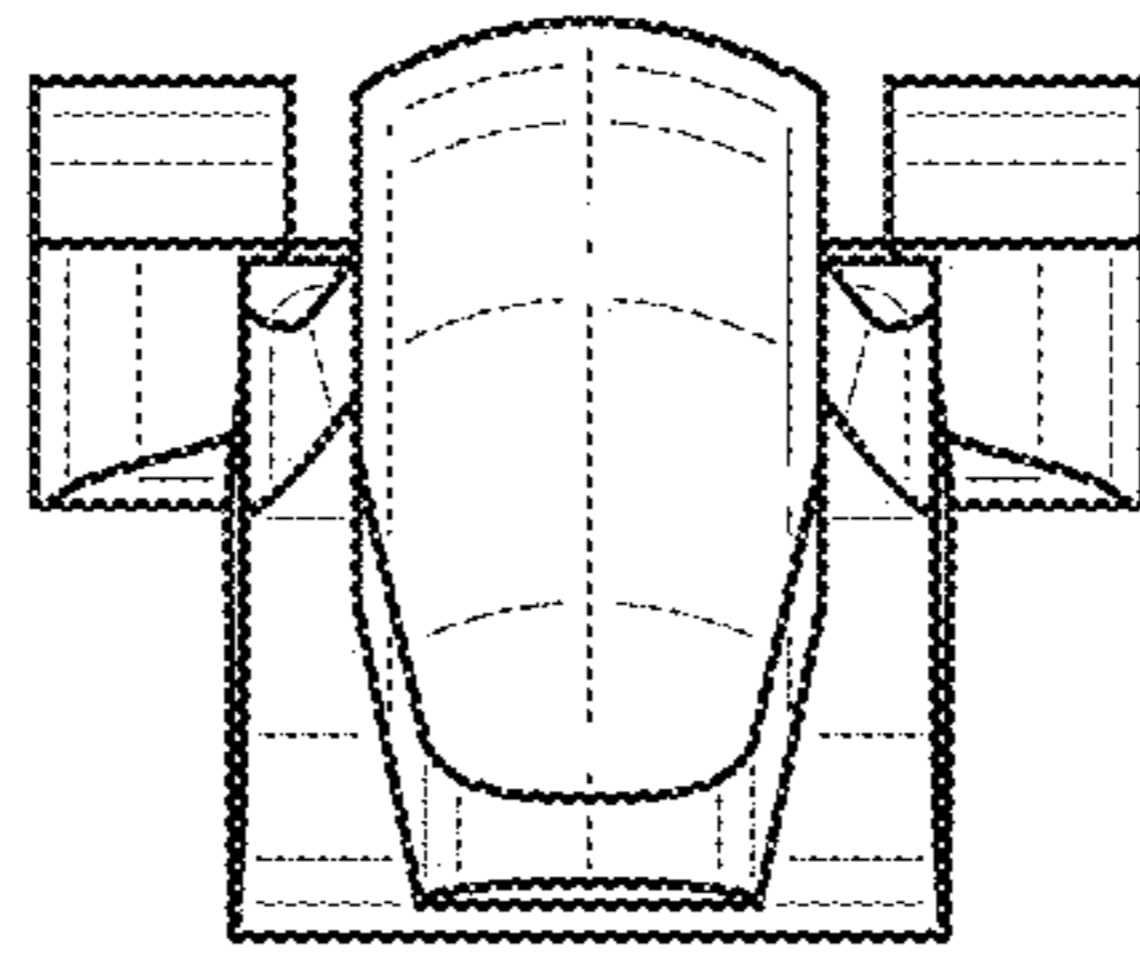


**FIG. 5**

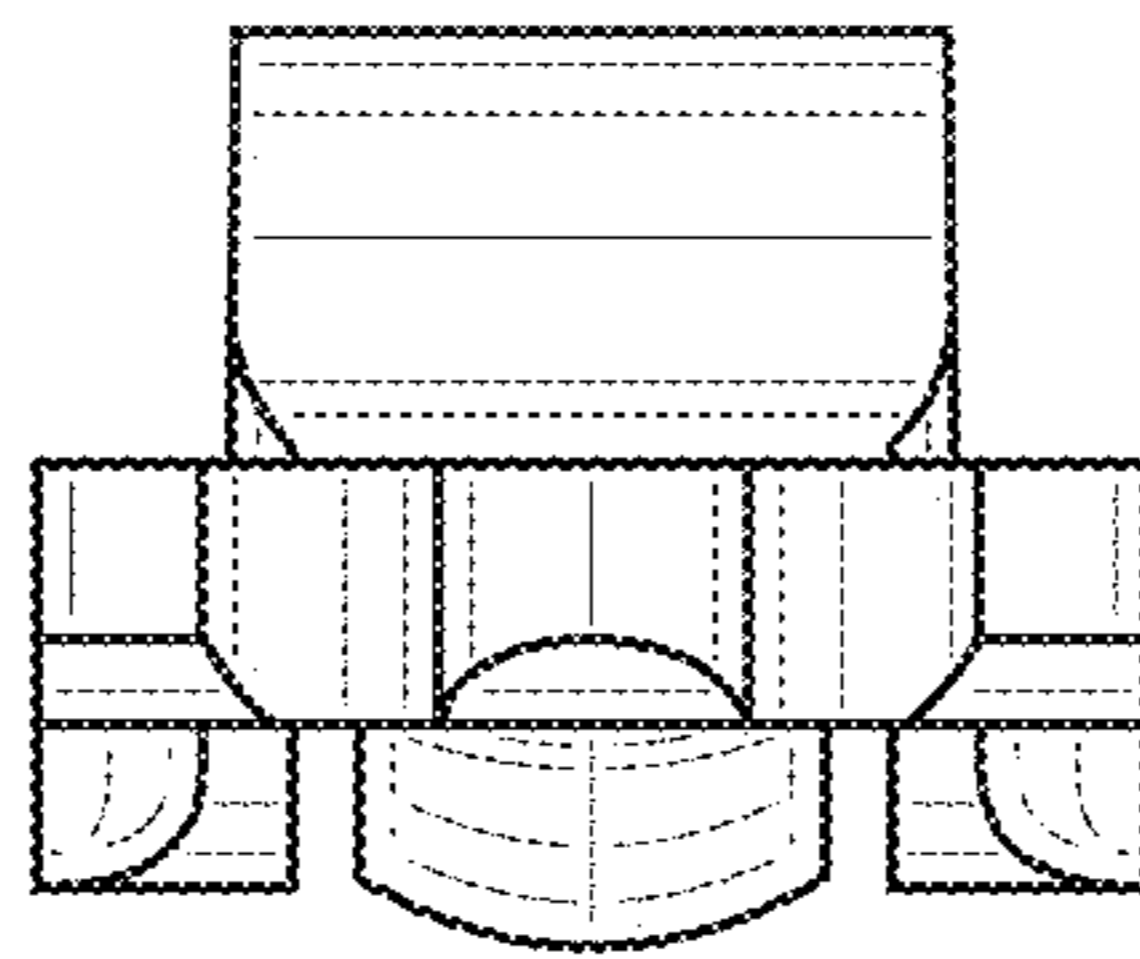


**FIG. 6**





**FIG. 7**



**FIG. 8**