



US00D926143S

(12) **United States Design Patent**  
**Yi et al.**

(10) **Patent No.:** **US D926,143 S**  
(45) **Date of Patent:** **\*\* Jul. 27, 2021**

(54) **LATCH**

(71) Applicant: **TE Connectivity Corporation,**  
Berwyn, PA (US)

(72) Inventors: **Chong Hun Yi,** Mechanicsburg, PA  
(US); **Richard C. Batley, III,** York  
Springs, PA (US)

(73) Assignee: **TE CONNECTIVITY SERVICES**  
**GmbH,** Schaffhausen (CH)

(\*\*) Term: **15 Years**

(21) Appl. No.: **29/692,213**

(22) Filed: **May 23, 2019**

(51) **LOC (13) Cl.** ..... **13-03**

(52) **U.S. Cl.**  
USPC ..... **D13/154; D13/133**

(58) **Field of Classification Search**  
USPC ..... D13/103, 107, 108, 110, 112, 118, 120,  
D13/123, 133, 137.1, 145-147, 149-156,  
D13/173, 177, 184, 199; D14/240, 242,  
D14/432-438, 435.1  
CPC . H01R 13/6272; H01R 13/6275; H01R 43/26  
See application file for complete search history.

(56) **References Cited**

**U.S. PATENT DOCUMENTS**

D829,175 S \* 9/2018 Terajima ..... D13/133  
10,218,120 B2 \* 2/2019 Sone ..... H01R 13/518

10,320,096 B2 \* 6/2019 Huntley ..... H01R 12/7076  
D854,500 S \* 7/2019 Asano ..... D13/133  
D874,402 S \* 2/2020 Kim ..... D13/133  
10,594,054 B2 \* 3/2020 Murugiah ..... H01R 4/5091  
D890,705 S \* 7/2020 Kobayashi ..... D13/146

**OTHER PUBLICATIONS**

TE Connectivity. 1744544-2. No date specified, <https://www.te.com/global-en/product-1744544-2.html?d=15608%20544913%20544683&iso=isl> (Year: 0).\*

\* cited by examiner

*Primary Examiner* — Darcey E Gottschalk

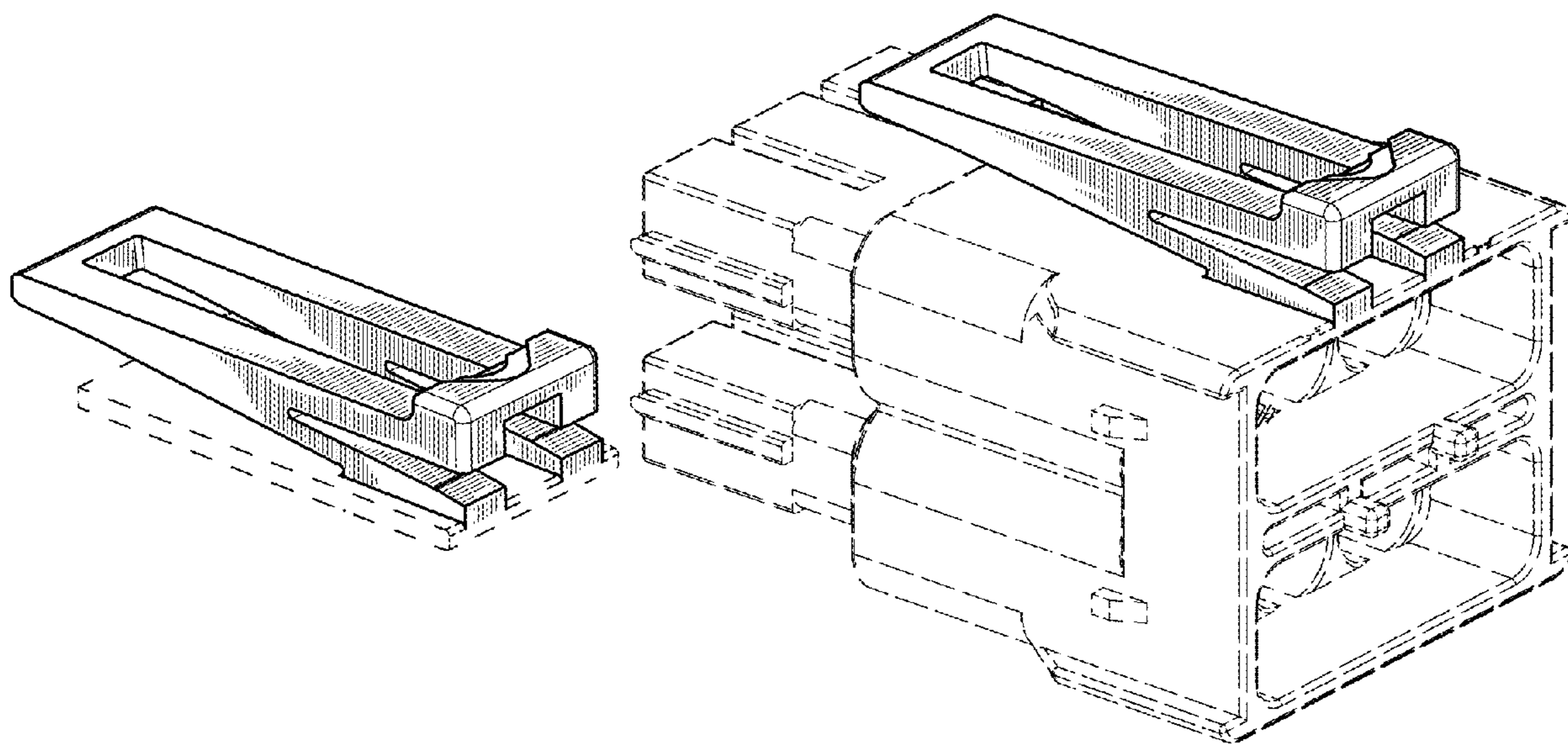
(57) **CLAIM**

The ornamental design for a latch, as shown and described.

**DESCRIPTION**

FIG. 1 is a perspective view of a latch;  
FIG. 2 is a perspective view of the latch positioned on an illustrative electrical connector, the electrical connector is shown in broken line and is not claimed;  
FIG. 3 is a top view of the latch of FIG. 1;  
FIG. 4 is a front view of the latch of FIG. 1;  
FIG. 5 is a back view of the latch of FIG. 1;  
FIG. 6 is a right side view of the latch of FIG. 1; and,  
FIG. 7 is a left side view of the latch of FIG. 1.  
The broken lines indicates unclaimed portions and forms no part of the claimed design.

**1 Claim, 2 Drawing Sheets**



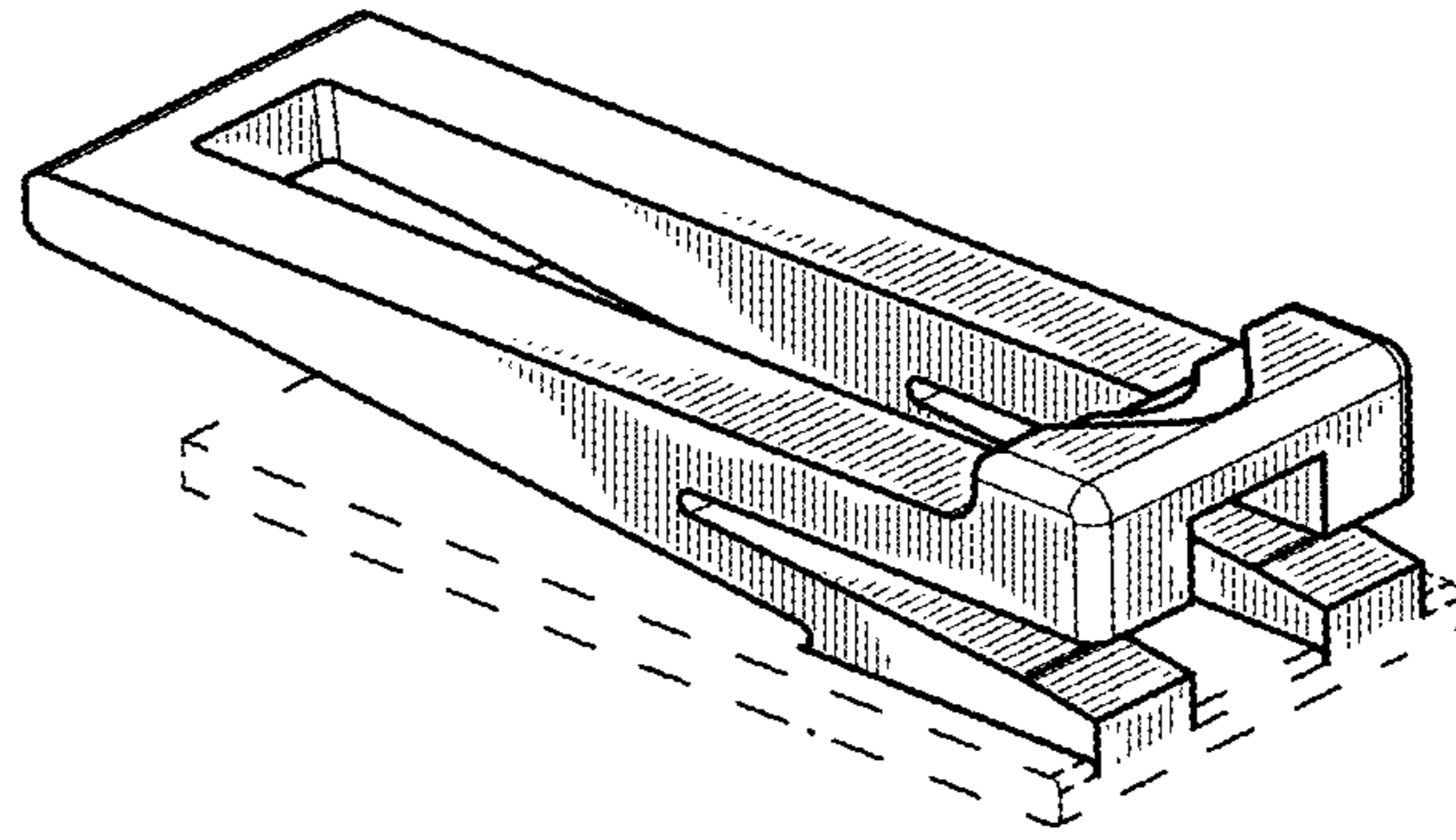


FIG. 1

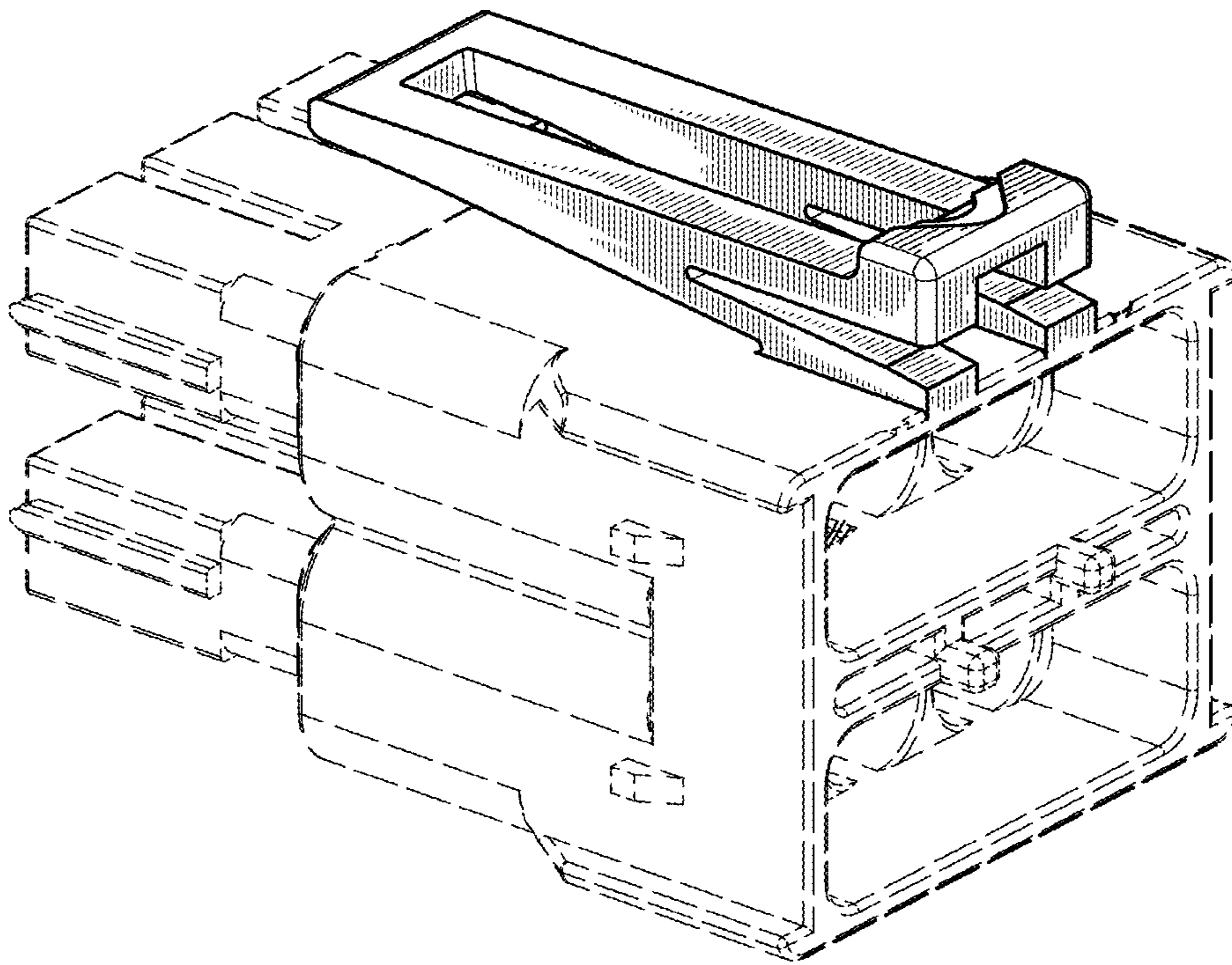


FIG. 2

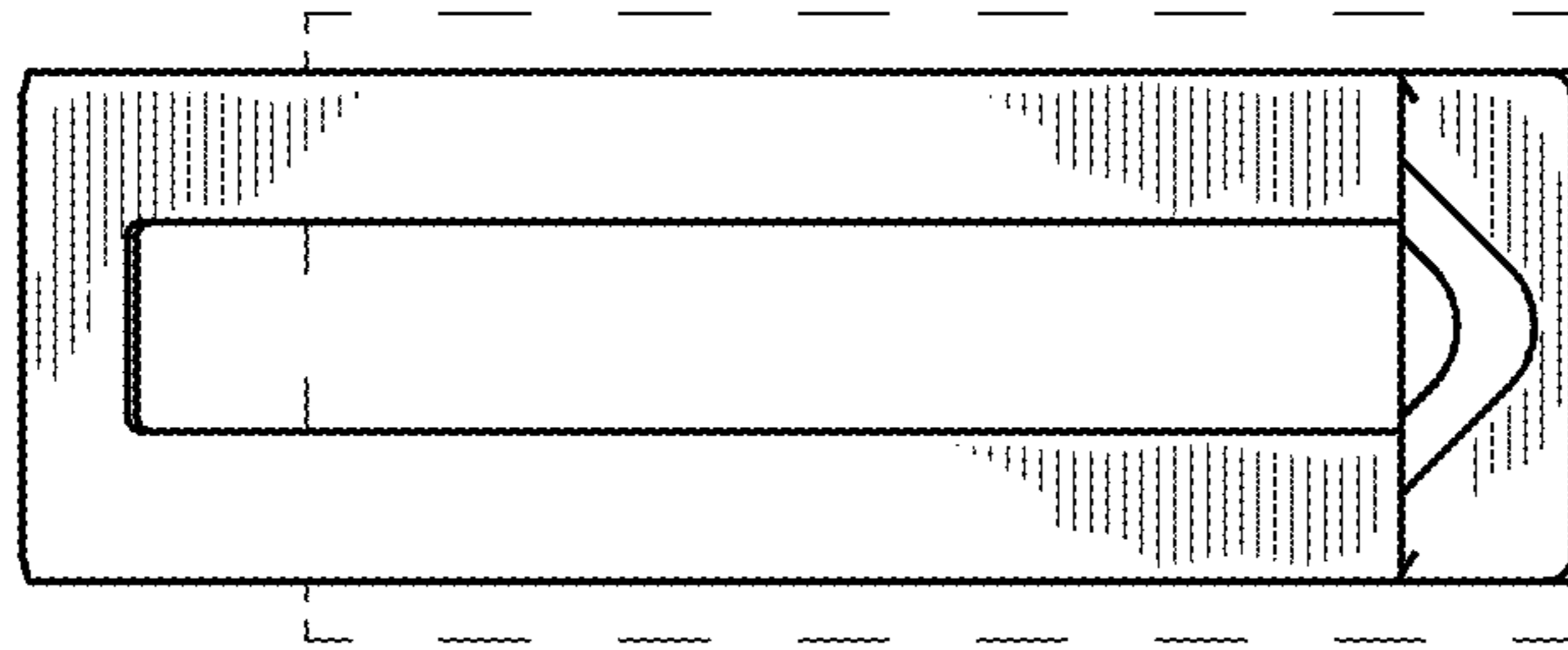


FIG. 3

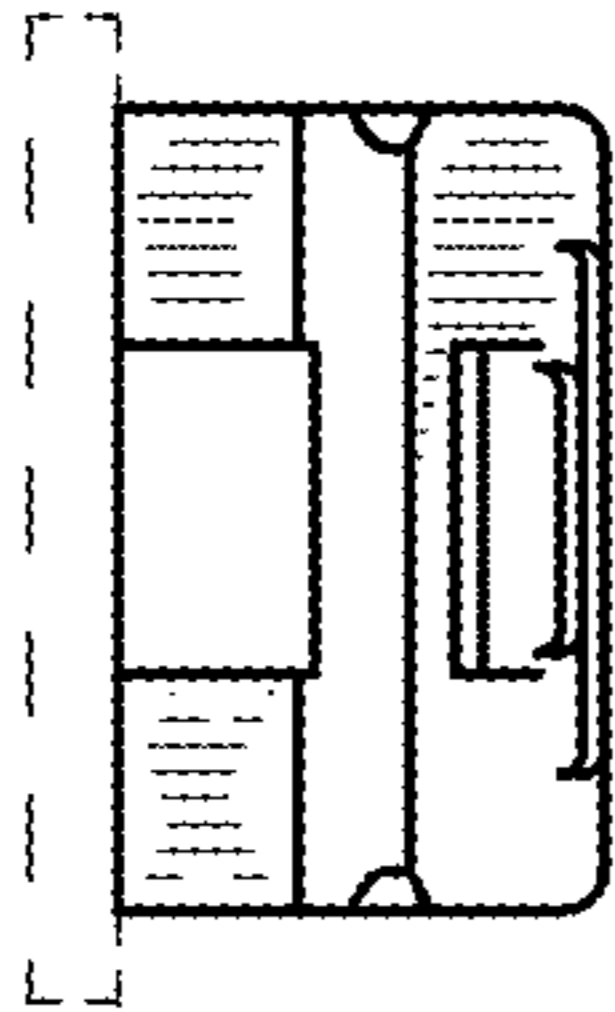


FIG. 4

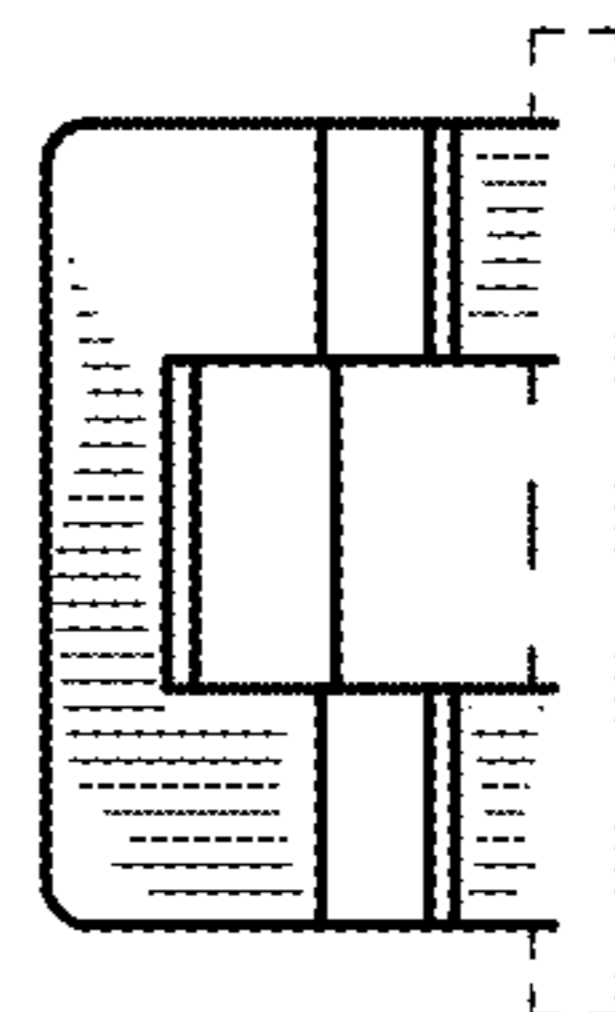


FIG. 5

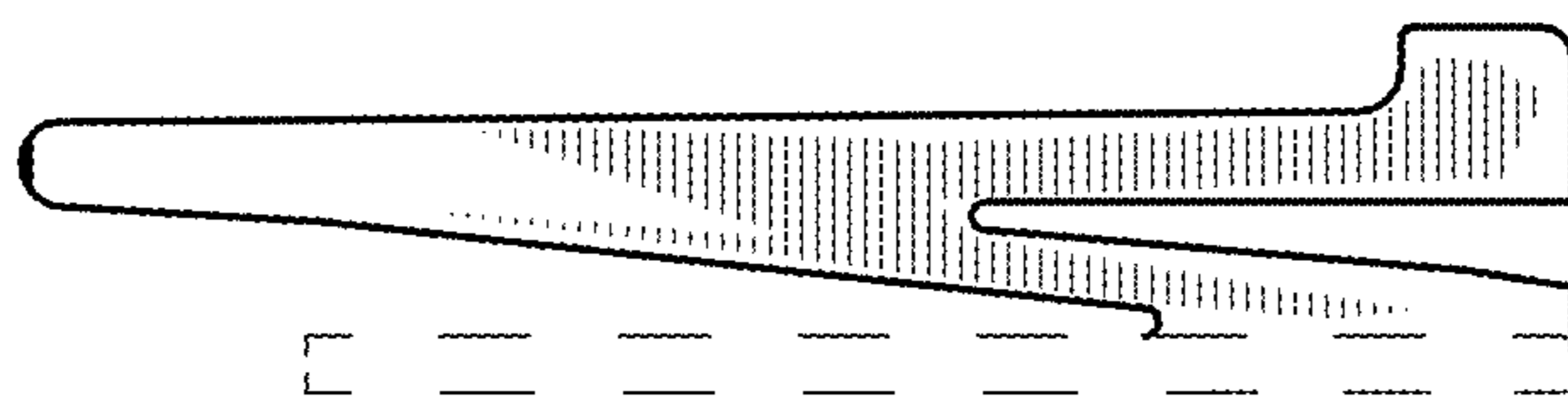


FIG. 6

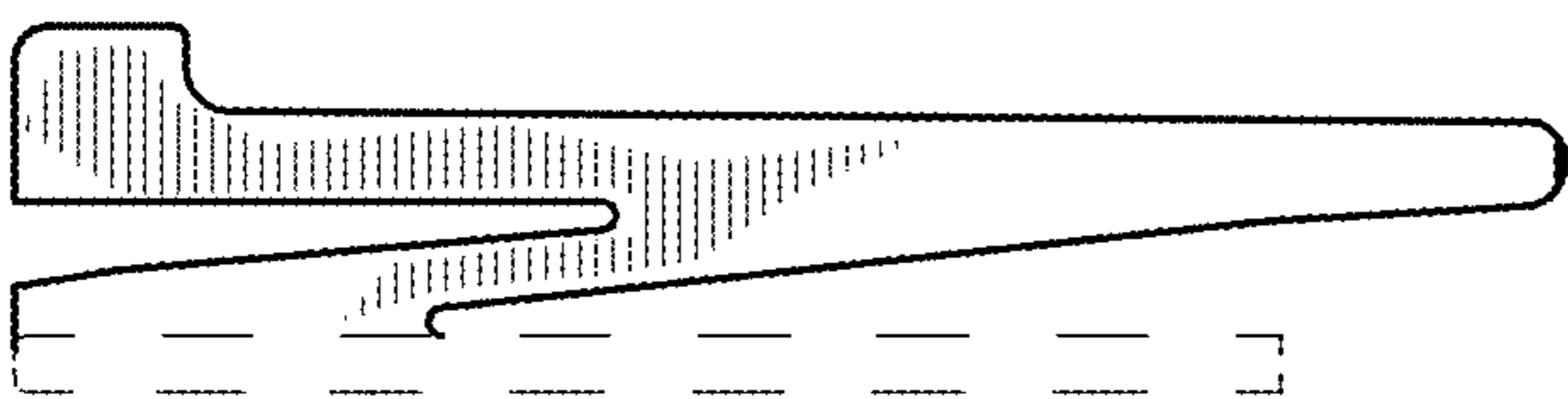


FIG. 7