



US00D926141S

(12) **United States Design Patent**
Little

(10) **Patent No.:** **US D926,141 S**

(45) **Date of Patent:** **** *Jul. 27, 2021**

(54) **ADAPTOR**

(71) Applicant: **DG International Holdings Limited,**
London (GB)

(72) Inventor: **Simon Little,** Middlesex (GB)

(73) Assignee: **DG International Holdings Limited,**
London (GB)

(*) Notice: This patent is subject to a terminal disclaimer.

(**) Term: **15 Years**

(21) Appl. No.: **29/705,101**

(22) Filed: **Sep. 10, 2019**

(51) **LOC (13) Cl.** **13-03**

(52) **U.S. Cl.**
USPC **D13/137.2**

(58) **Field of Classification Search**
USPC D13/103, 107, 108, 113, 118, 123, 133,
D13/137.1–137.4, 138.1, 138.2,
D13/139.1–139.7, 153, 154, 155;
D14/433, 434

CPC H01R 25/006; H01R 25/165; H01R 9/00;
H01R 9/22; H01R 9/226; H01R 13/00;
H01R 13/03; H01R 13/04; H01R 13/10;
H01R 13/35; H01R 13/502; H01R
13/631; H01R 13/6666; H01R 13/6675;
H05K 5/00; H05K 5/03

See application file for complete search history.

(56) **References Cited**

U.S. PATENT DOCUMENTS

D707,626 S * 6/2014 Atkinson D13/110
9,083,125 B2 * 7/2015 Rogers H01R 27/00

D818,963 S * 5/2018 Little D13/137.2
D826,858 S * 8/2018 Little D13/137.2
D826,859 S * 8/2018 Little D13/137.2
D835,042 S * 12/2018 Qiu D13/137.2
D835,043 S * 12/2018 Liao D13/137.3
D836,555 S * 12/2018 Xu D13/137.2
D845,898 S * 4/2019 Laffon de Mazieres D13/110
D849,687 S * 5/2019 Dai D13/137.2
D851,596 S * 6/2019 Koch D13/137.2
D858,439 S * 9/2019 Li D13/108
D859,311 S * 9/2019 Liao D13/137.3

* cited by examiner

Primary Examiner — Sheryl Lane

Assistant Examiner — Calvin E Vansant

(74) *Attorney, Agent, or Firm* — Budzyn IP Law, LLC

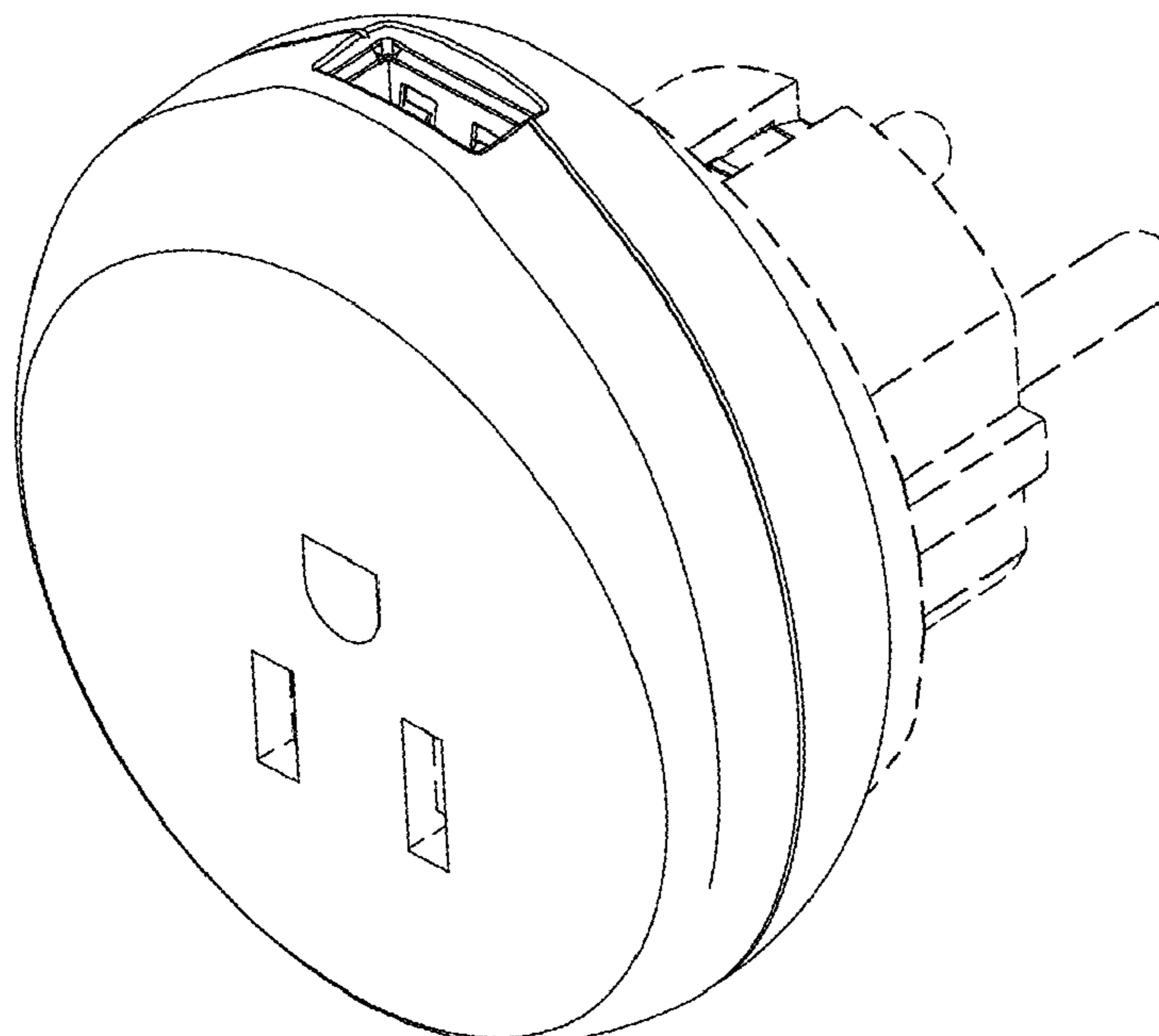
(57) **CLAIM**

The ornamental design for an adaptor, as shown and described.

DESCRIPTION

FIG. 1 is a perspective view of an adaptor;
FIG. 2 is a top plan view thereof;
FIG. 3 is a bottom plan view thereof;
FIG. 4 is a front elevational view thereof;
FIG. 5 is a rear elevational view thereof;
FIG. 6 is a left side elevational view thereof; and,
FIG. 7 is a right side elevational view thereof.
The broken lines represent elements which form no part of the claimed design.

1 Claim, 7 Drawing Sheets



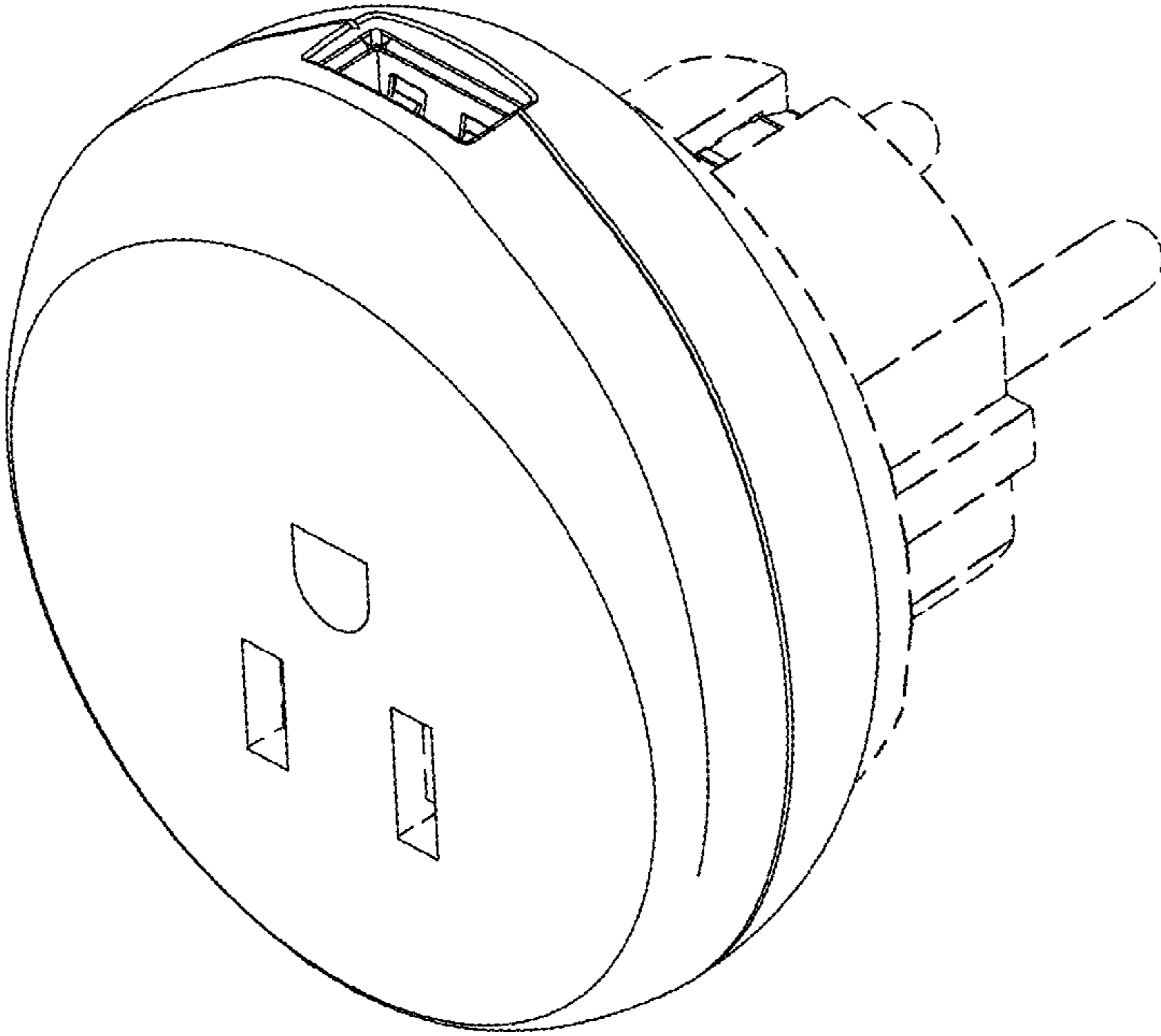


FIGURE 1

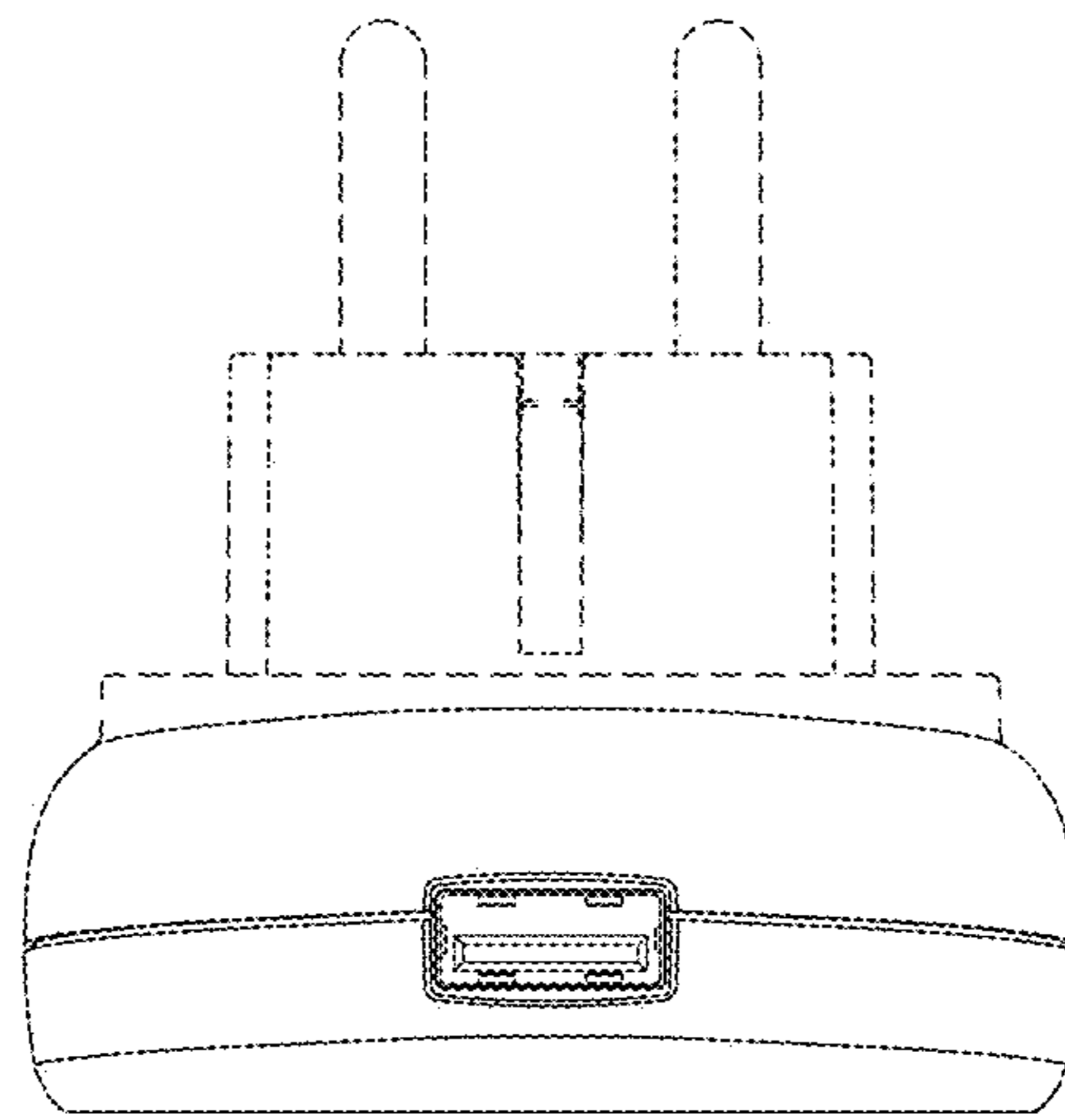


FIGURE 2

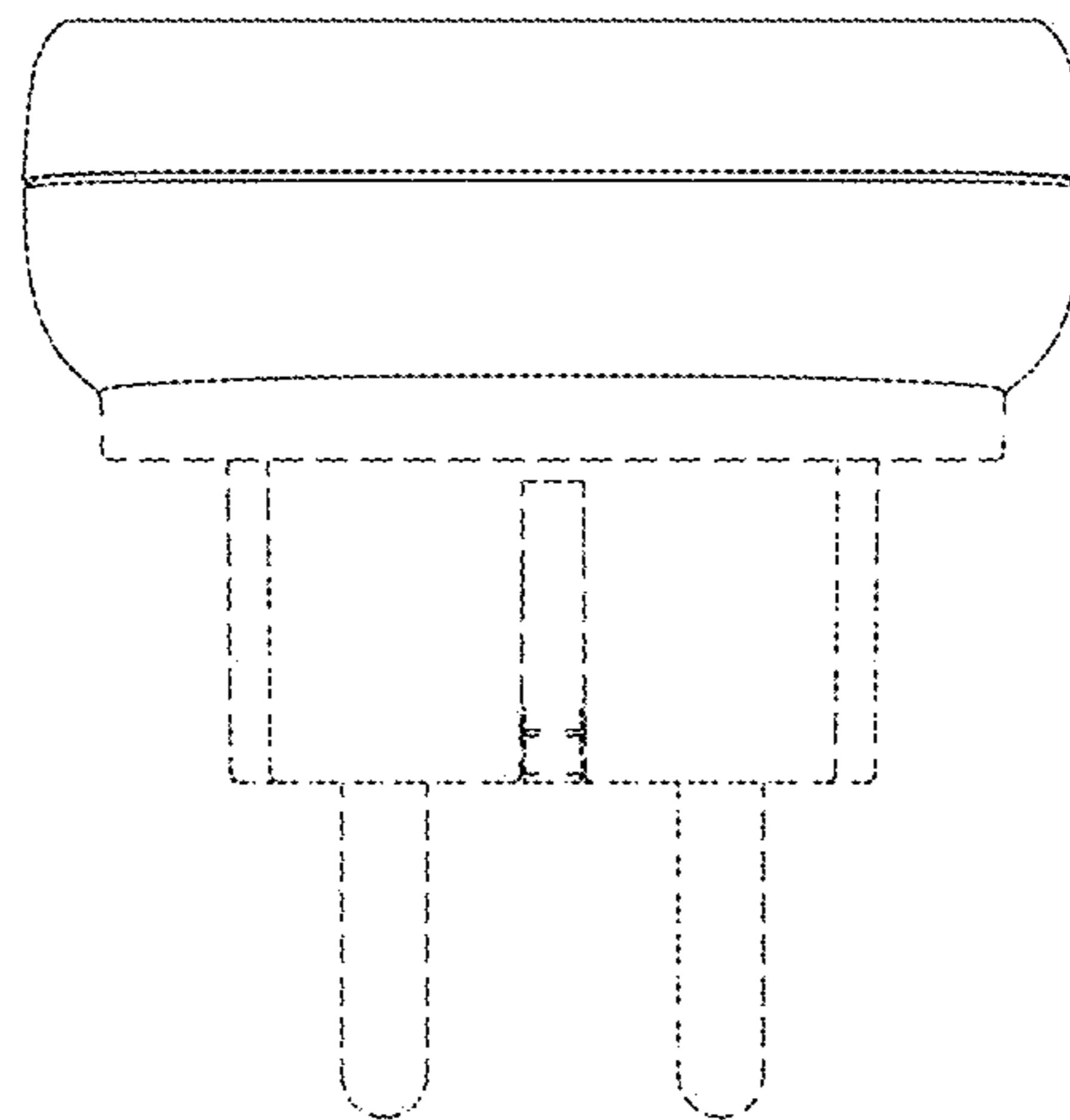


FIGURE 3

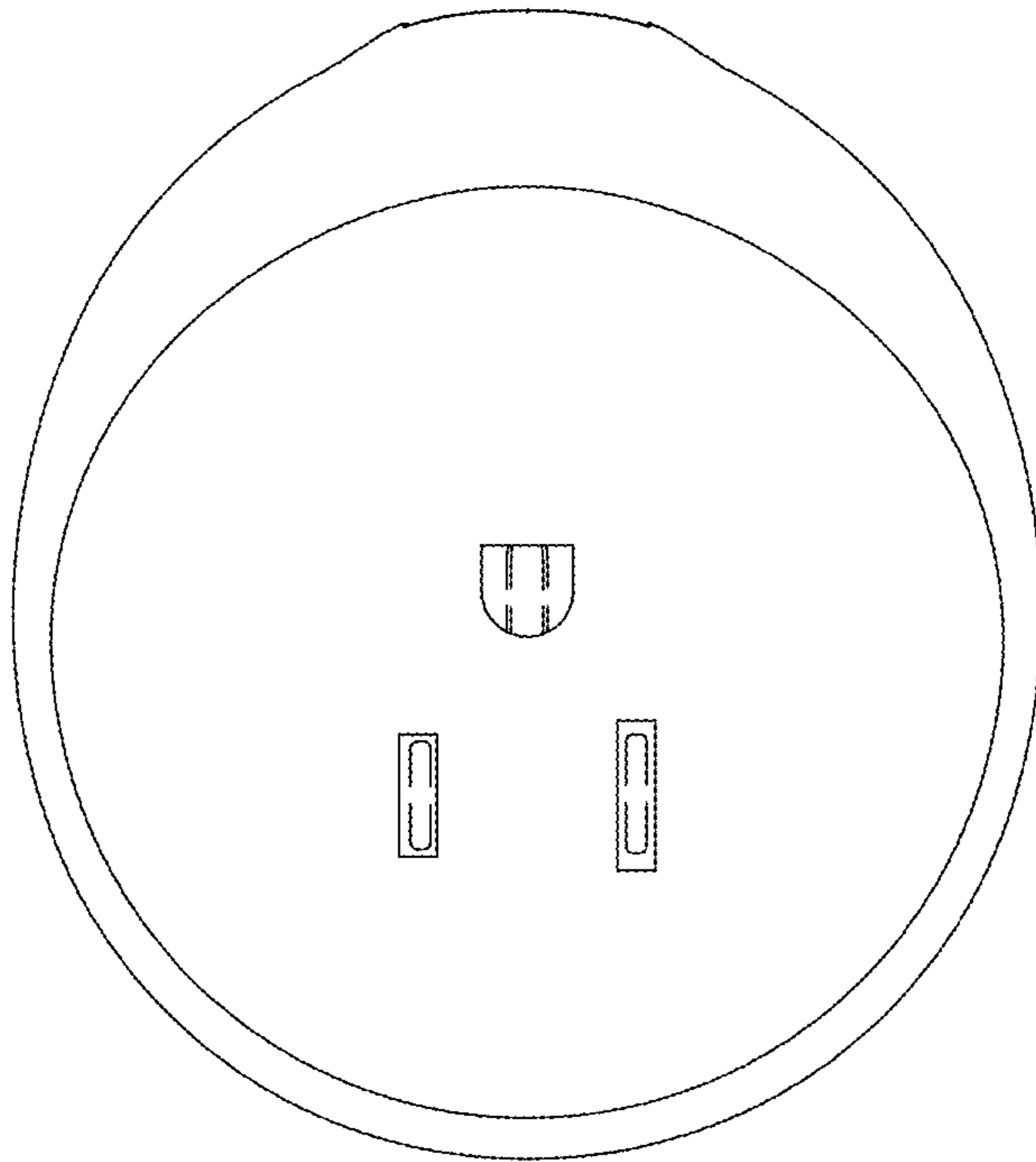


FIGURE 4

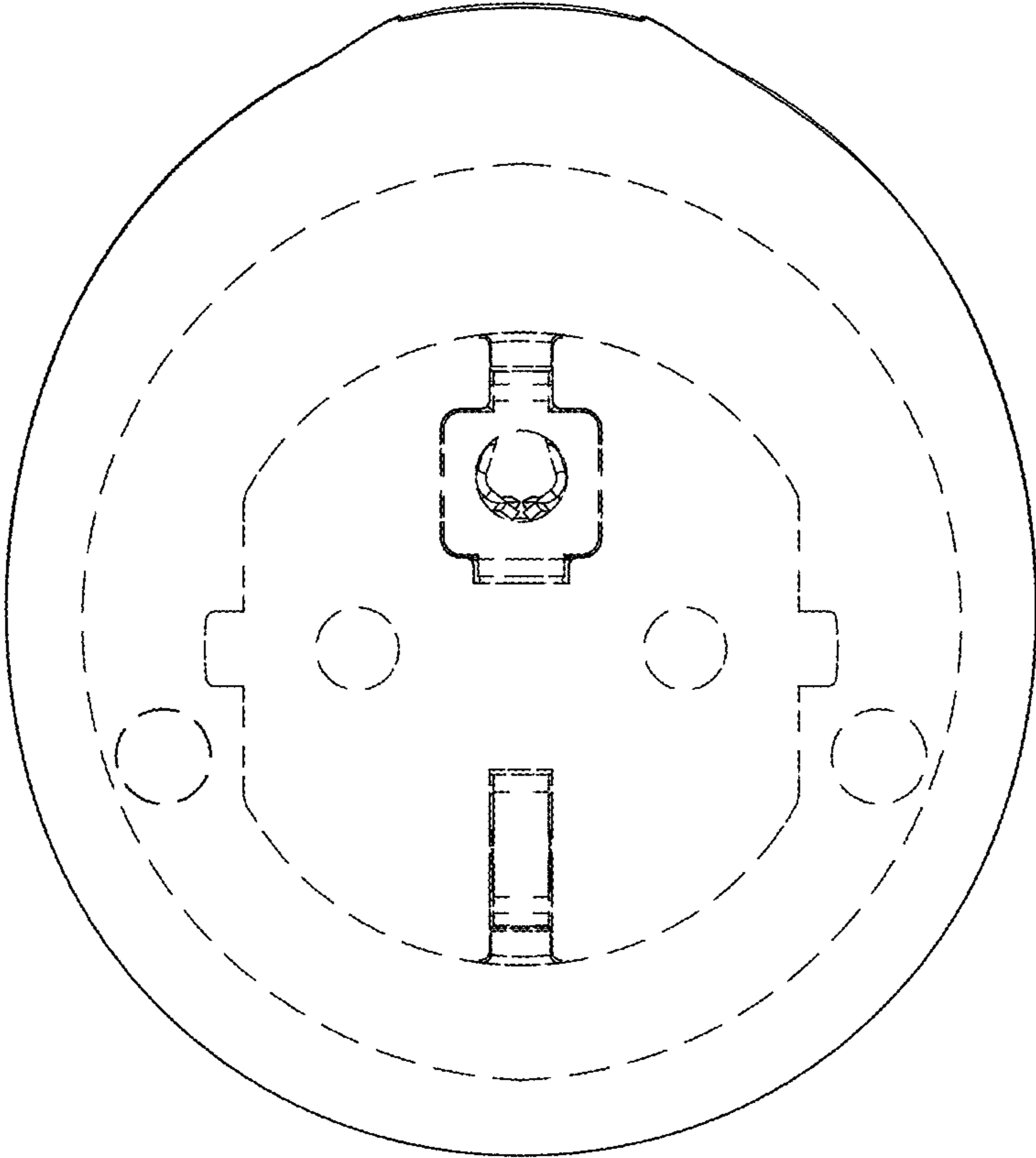


FIGURE 5

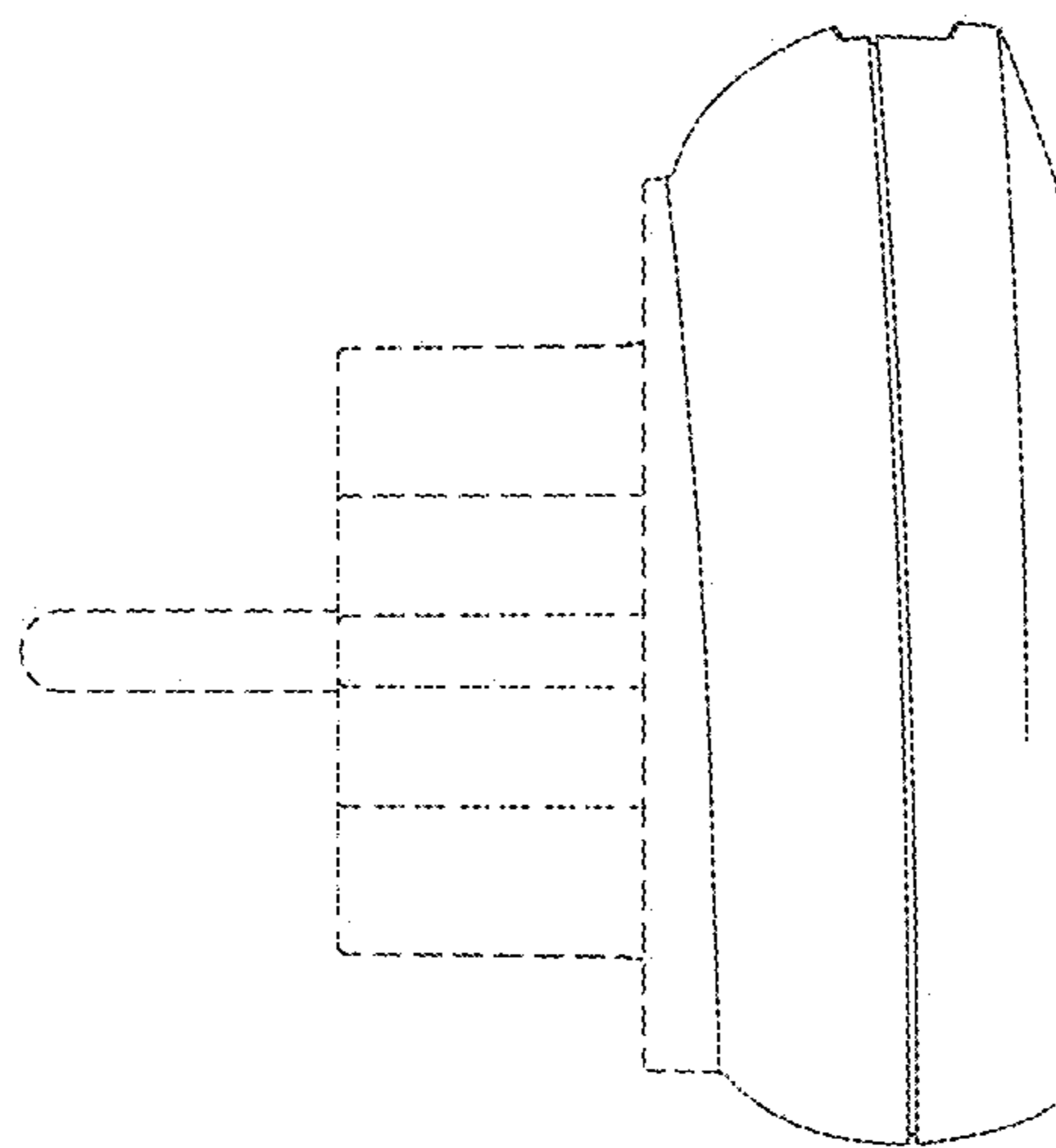


FIGURE 6

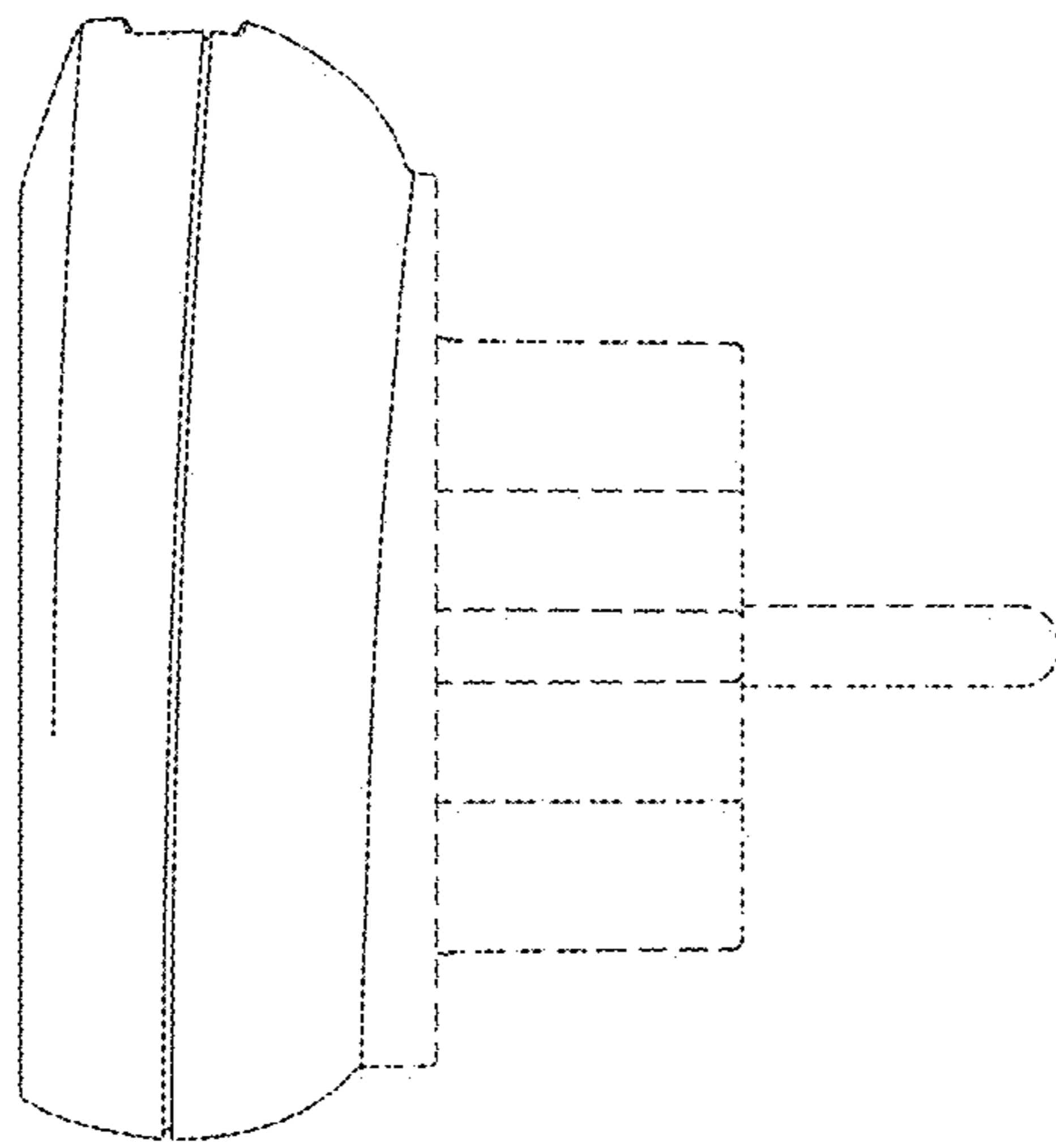


FIGURE 7