



US00D926140S

(12) **United States Design Patent** (10) **Patent No.:** **US D926,140 S**
Lv (45) **Date of Patent:** **** Jul. 27, 2021**

(54) **ELECTRICAL ADAPTER**

(71) Applicant: **Shaopeng Lv**, Shantou (CN)

(72) Inventor: **Shaopeng Lv**, Shantou (CN)

(**) Term: **15 Years**

(21) Appl. No.: **29/675,504**

(22) Filed: **Jan. 2, 2019**

(51) **LOC (13) Cl.** **13-03**

(52) **U.S. Cl.**
USPC **D13/137.2**

(58) **Field of Classification Search**
USPC D13/107, 108, 110, 133, 137.1, 137.2,
D13/137.3, 137.4, 138.1, 138.2, 139.1,
D13/139.2, 139.3, 139.4, 139.6, 139.7,
D13/139.8, 146, 154, 156, 158, 177, 184,
D13/199; D14/432, 433
CPC H01R 13/46; H01R 24/76; H01R 13/44
See application file for complete search history.

(56) **References Cited**

U.S. PATENT DOCUMENTS

D653,208 S *	1/2012	Au	D13/108
D755,127 S *	5/2016	Wong	D13/137.2
D788,709 S *	6/2017	Yeo	D13/137.2
D834,516 S *	11/2018	Jin	D13/108
D835,042 S *	12/2018	Qiu	D13/137.2
D848,947 S *	5/2019	Liu	D13/137.2
D858,439 S *	9/2019	Li	D13/108
D867,996 S *	11/2019	Chen	D13/137.2
2010/0311261 A1 *	12/2010	Lee	H01R 27/00 439/223
2011/0009003 A1 *	1/2011	Youssefi-Shams	H01R 13/71 439/628
2015/0280373 A1 *	10/2015	Furukawa	H01R 24/44 439/578
2019/0288437 A1 *	9/2019	Hasan	H01R 13/502
2019/0341731 A1 *	11/2019	Barnett	H01R 13/46

OTHER PUBLICATIONS

“Ceptics Travel Adapter Plug”. Found online Apr. 21, 2020 at amazon.com. Reference dated Jan. 20, 2017. Retrieved from https://www.amazon.com/Ceptics-European-Adapter-Adaptor-Charger/dp/B01NCZJ5UN?ref=ast_sto_dp. (Year: 2017).*
“TESSAN Power Plug”. Found online Jun. 10, 2020 at amazon.com. Reference dated Jul. 12, 2018. Retrieved from https://www.amazon.com/European-Adapter-TESSAN-International-Adaptor/dp/B07FJWLLDB/ref=sr_1_8. (Year: 2018).*

(Continued)

Primary Examiner — Catherine S Posthauer

Assistant Examiner — Amanda Christensen

(74) *Attorney, Agent, or Firm* — Justin Lampel

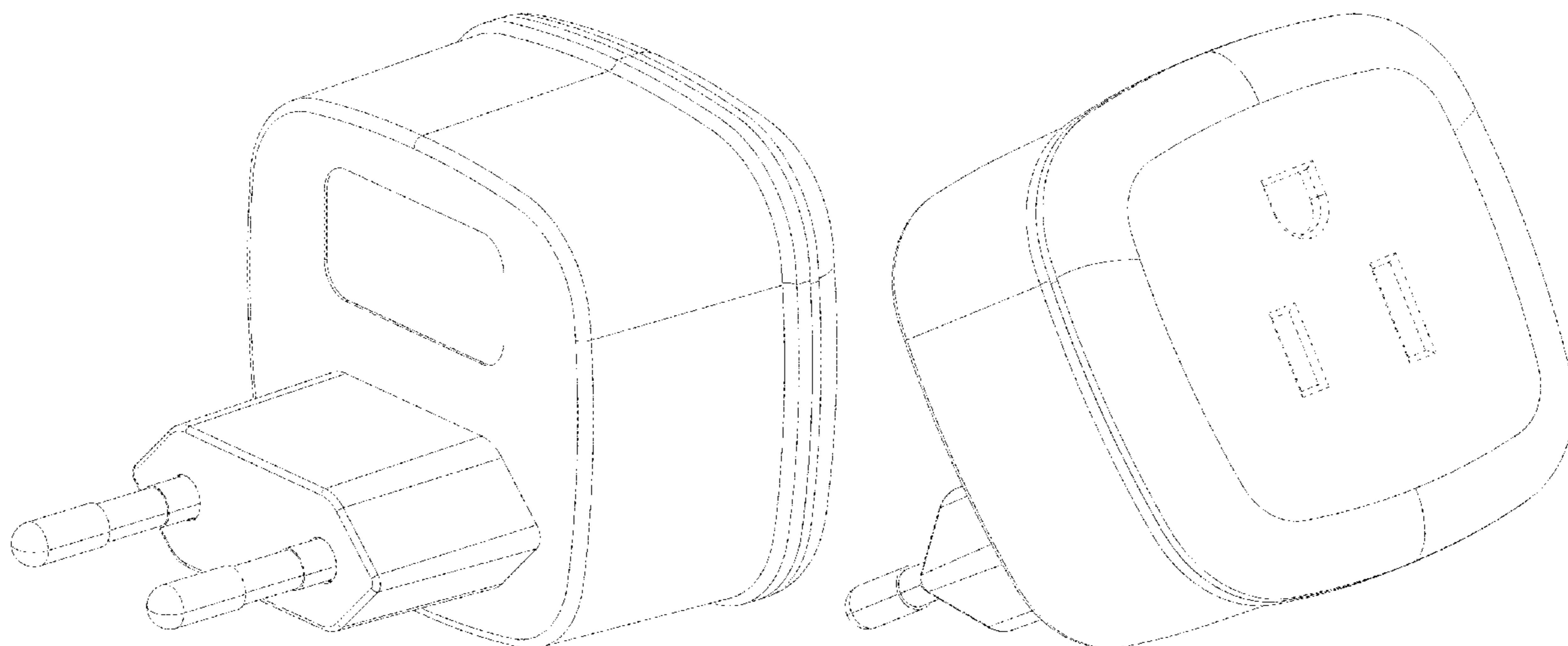
(57) **CLAIM**

The ornamental design for an electrical adapter, as shown and described.

DESCRIPTION

FIG. 1 is a front, right, top perspective view of an electrical adapter, showing my new design;
FIG. 2 is a rear, right perspective view thereof;
FIG. 3 is a top plan view of the electrical adapter of FIG. 1, shown somewhat enlarged;
FIG. 4 is a rear elevation view thereof;
FIG. 5 is a bottom plan view thereof;
FIG. 6 is a right side elevation view of the electrical adapter of FIG. 1, shown at a smaller scale;
FIG. 7 is a front elevation view of the electrical adapter of FIG. 1, shown somewhat enlarged; and,
FIG. 8 is a left side elevation view of the electrical adapter of FIG. 1, shown at a smaller scale.
The equal-length broken lines in the drawings depict portions of the electrical adapter that form no part of the claimed design.

1 Claim, 8 Drawing Sheets



(56)

References Cited

OTHER PUBLICATIONS

“VCT Plug Adapter”. Found online Jun. 10, 2020 at amazon.com. Reference dated Feb. 20, 2007. Retrieved from https://www.amazon.com/VCT-VP18-Adapter-Converts-Grounded/dp/B000NND600/ref=pd_di_sccai_1/132-8872043-7311067. (Year: 2007).*

“SublimeWare Travel Plug”. Found online Jun. 10, 2020 at amazon.com. Reference dated Nov. 30, 2016. Retrieved from https://www.amazon.com/dp/B01N59M473/ref=sspa_dk_detail_0?th=1. (Year: 2016).*

* cited by examiner

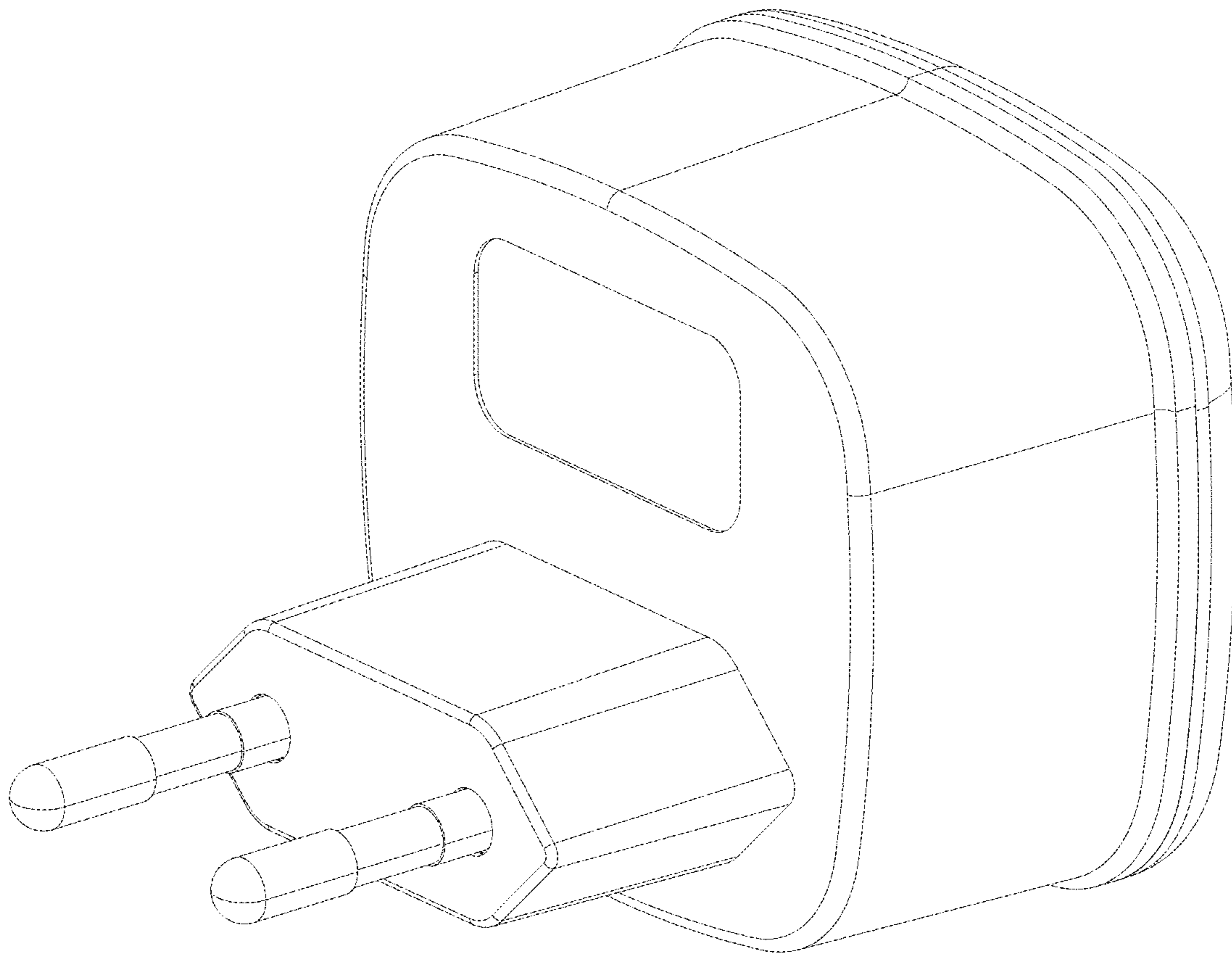


FIG. 1

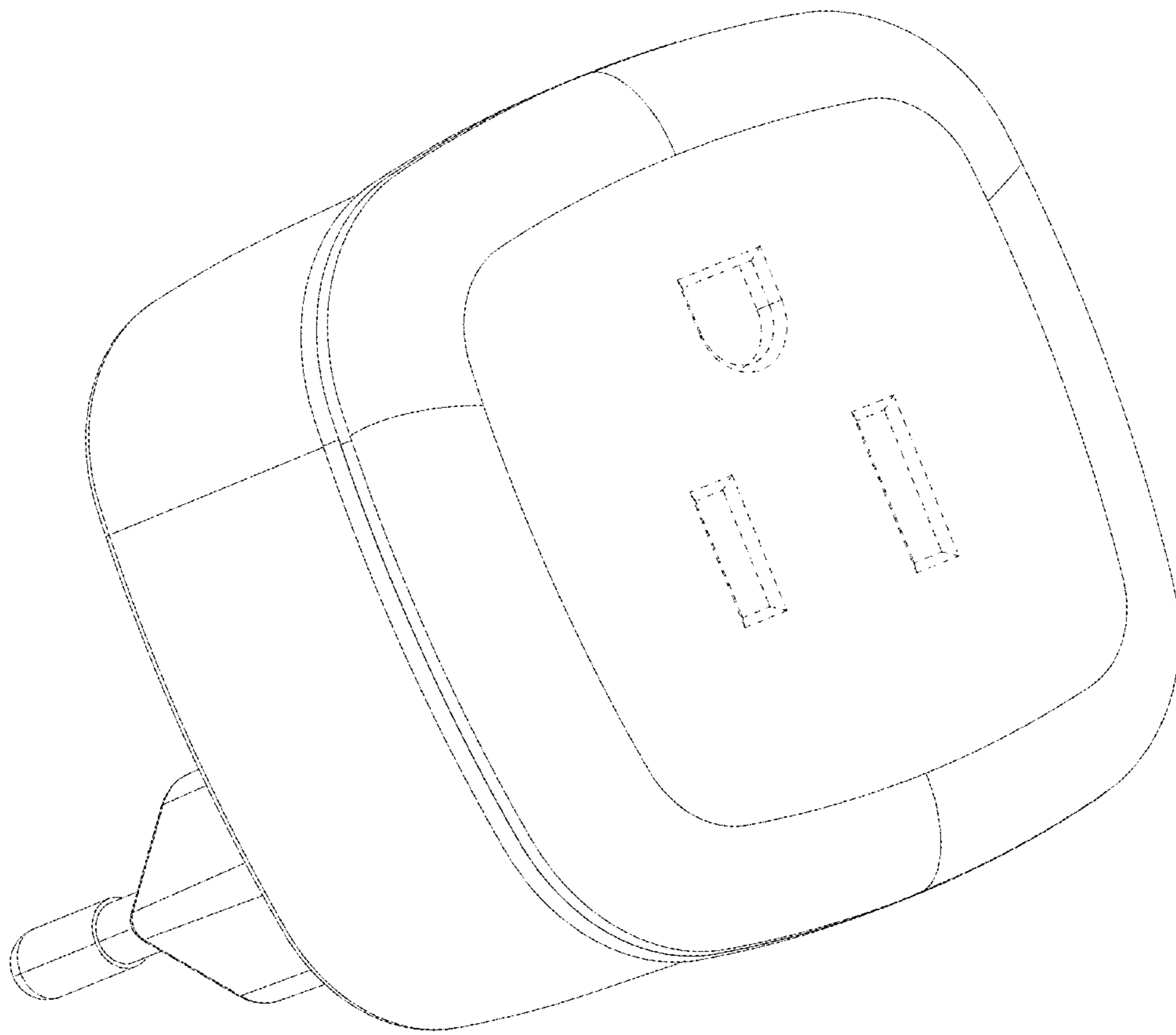


FIG.2

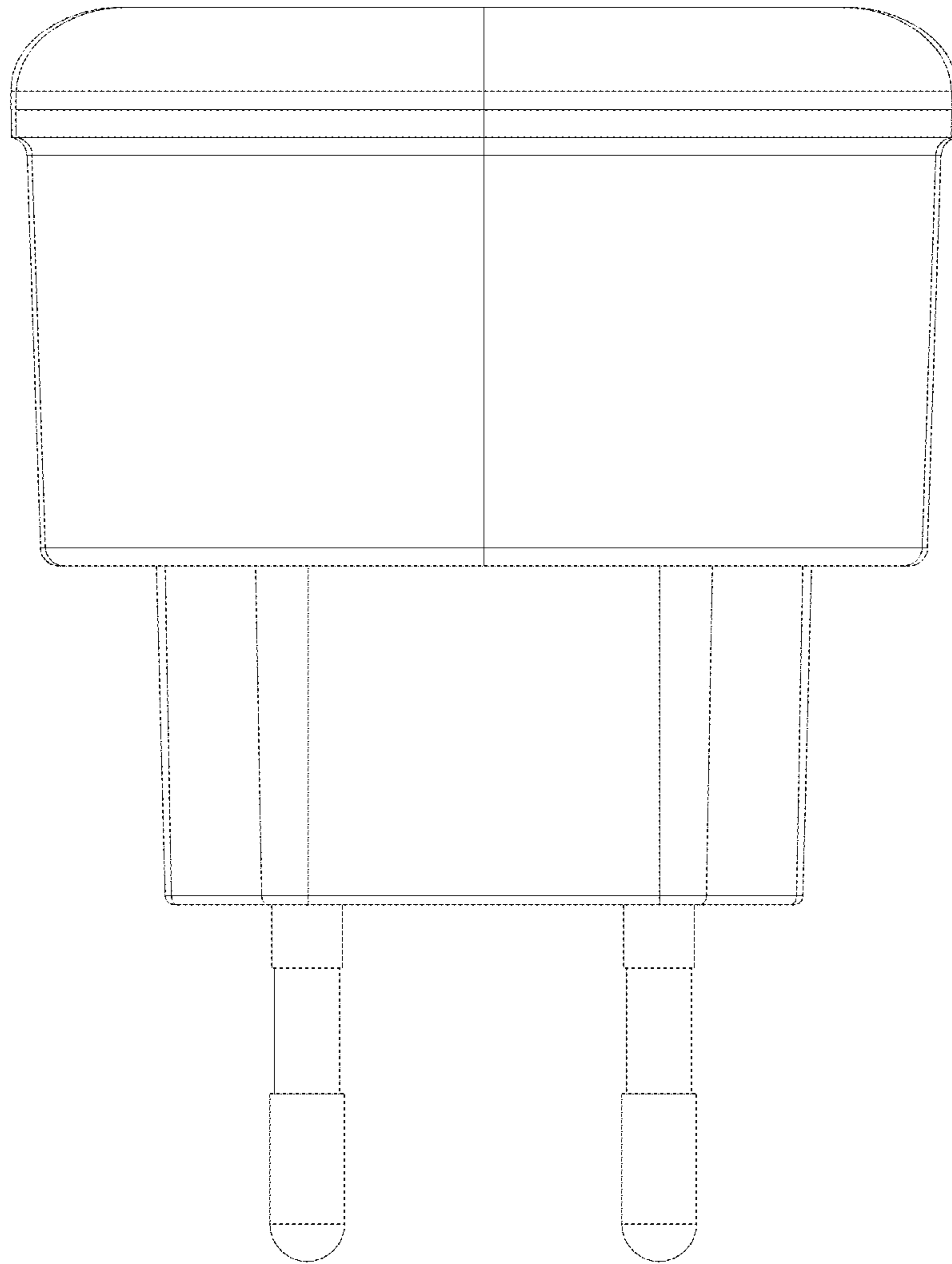


FIG.3

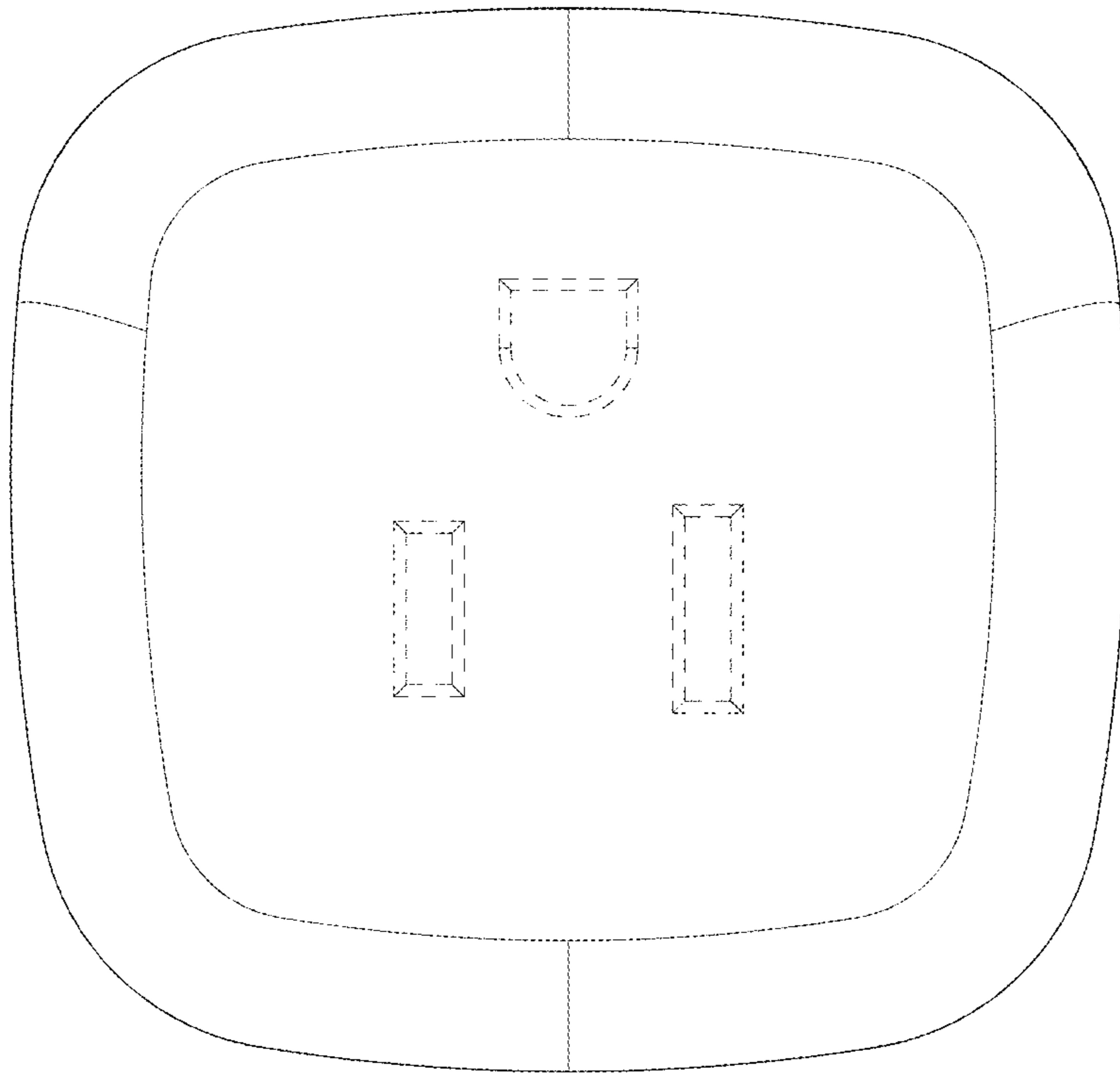


FIG. 4

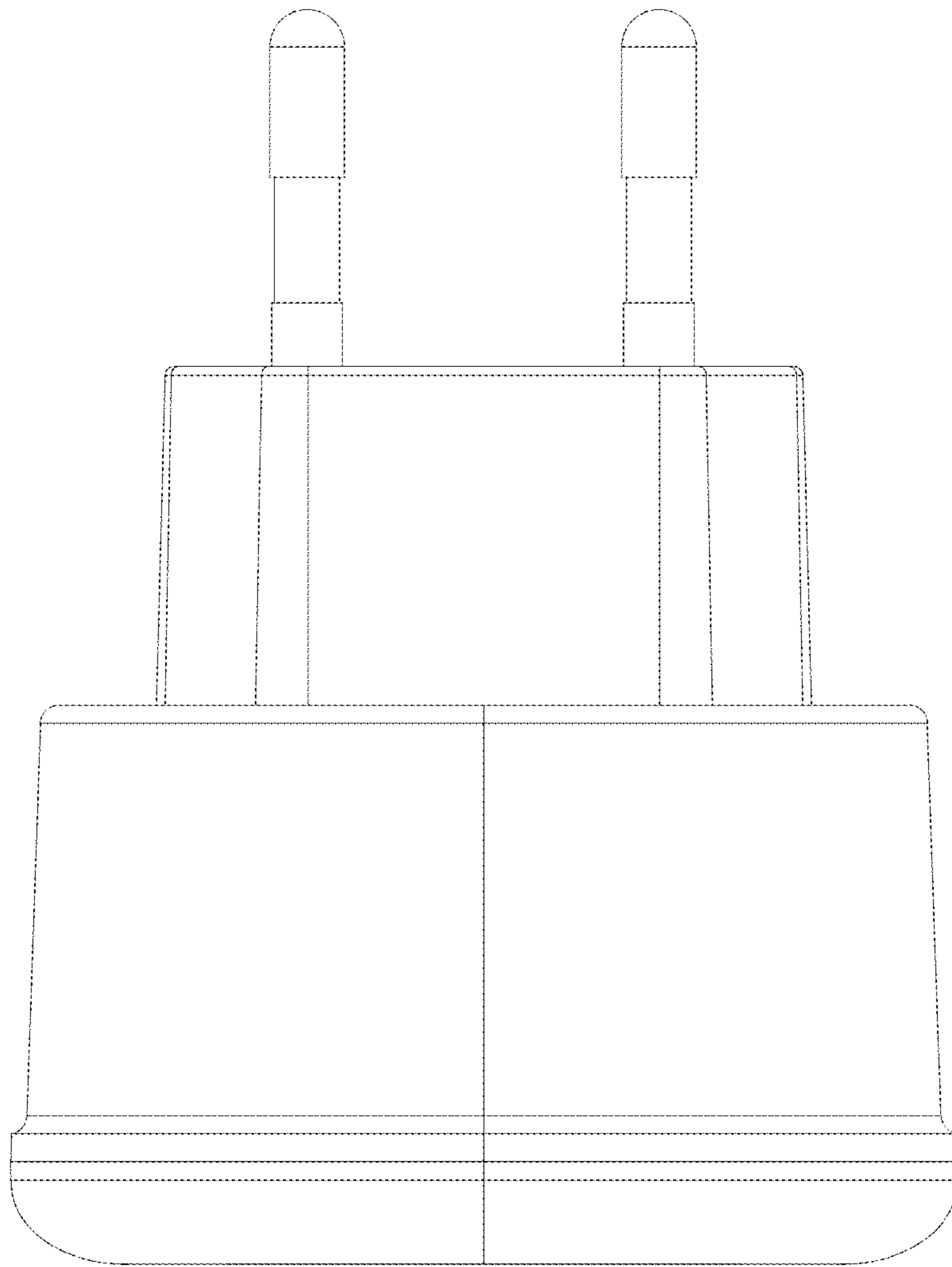


FIG.5

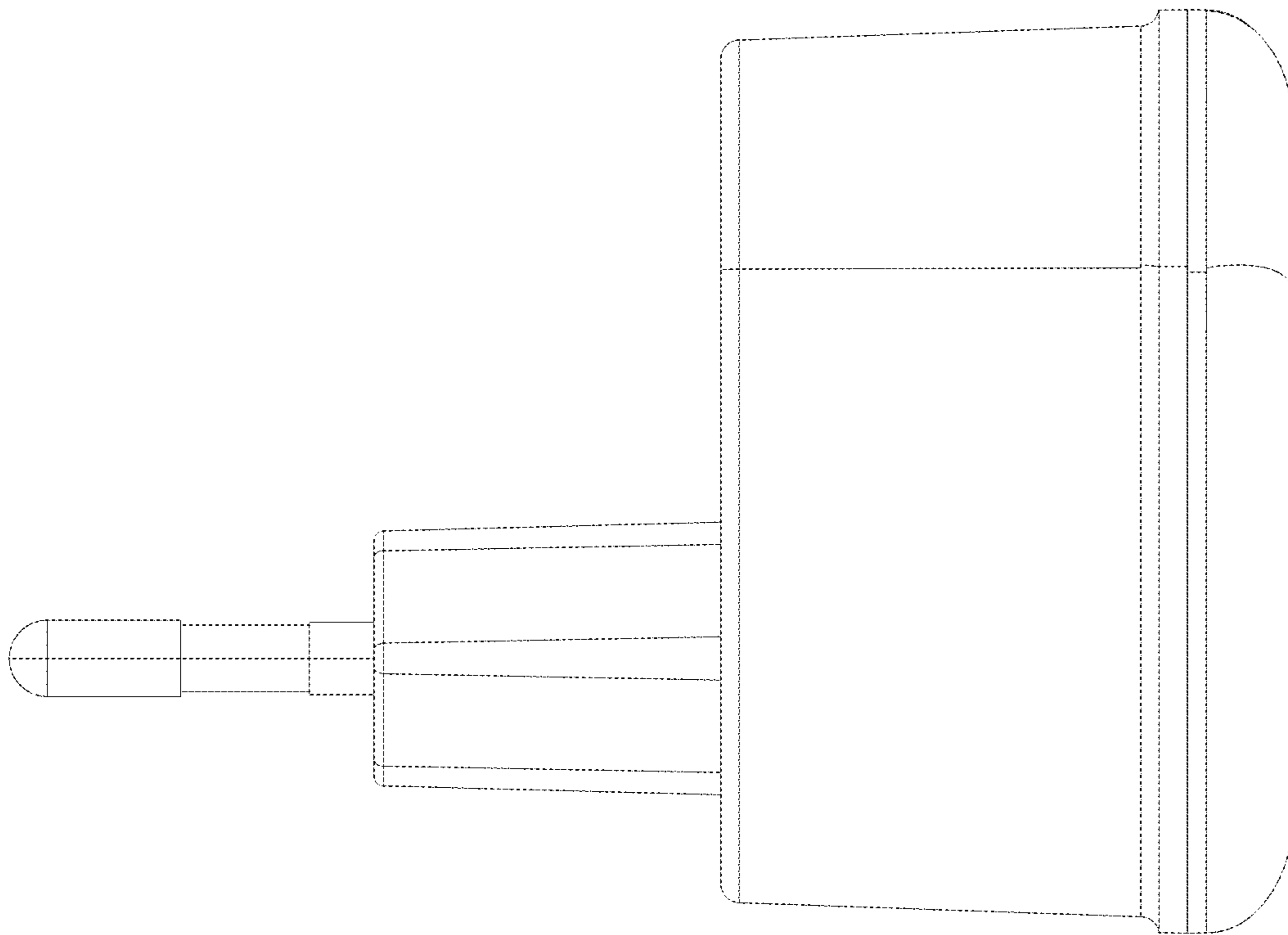


FIG. 6

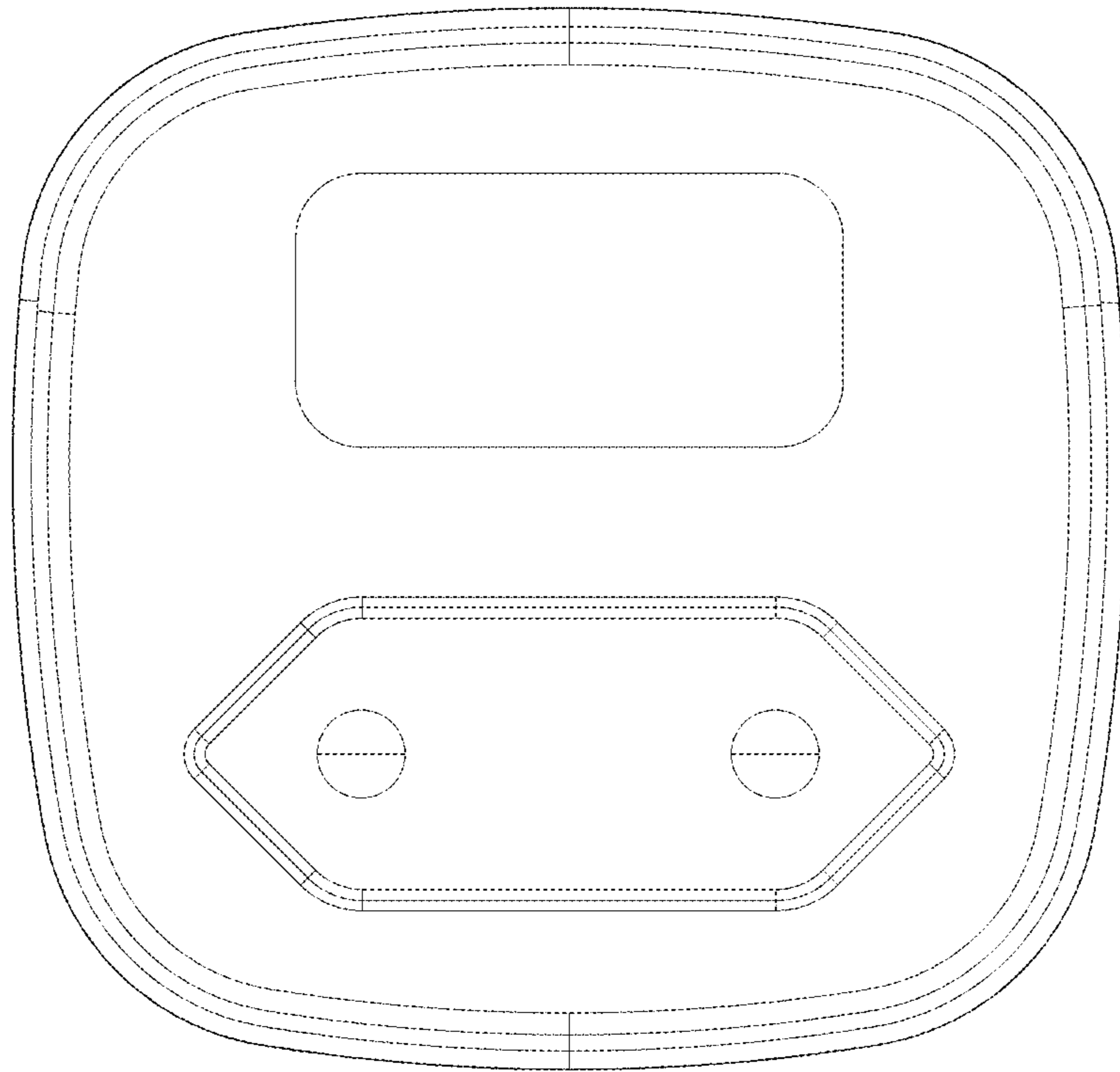


FIG.7

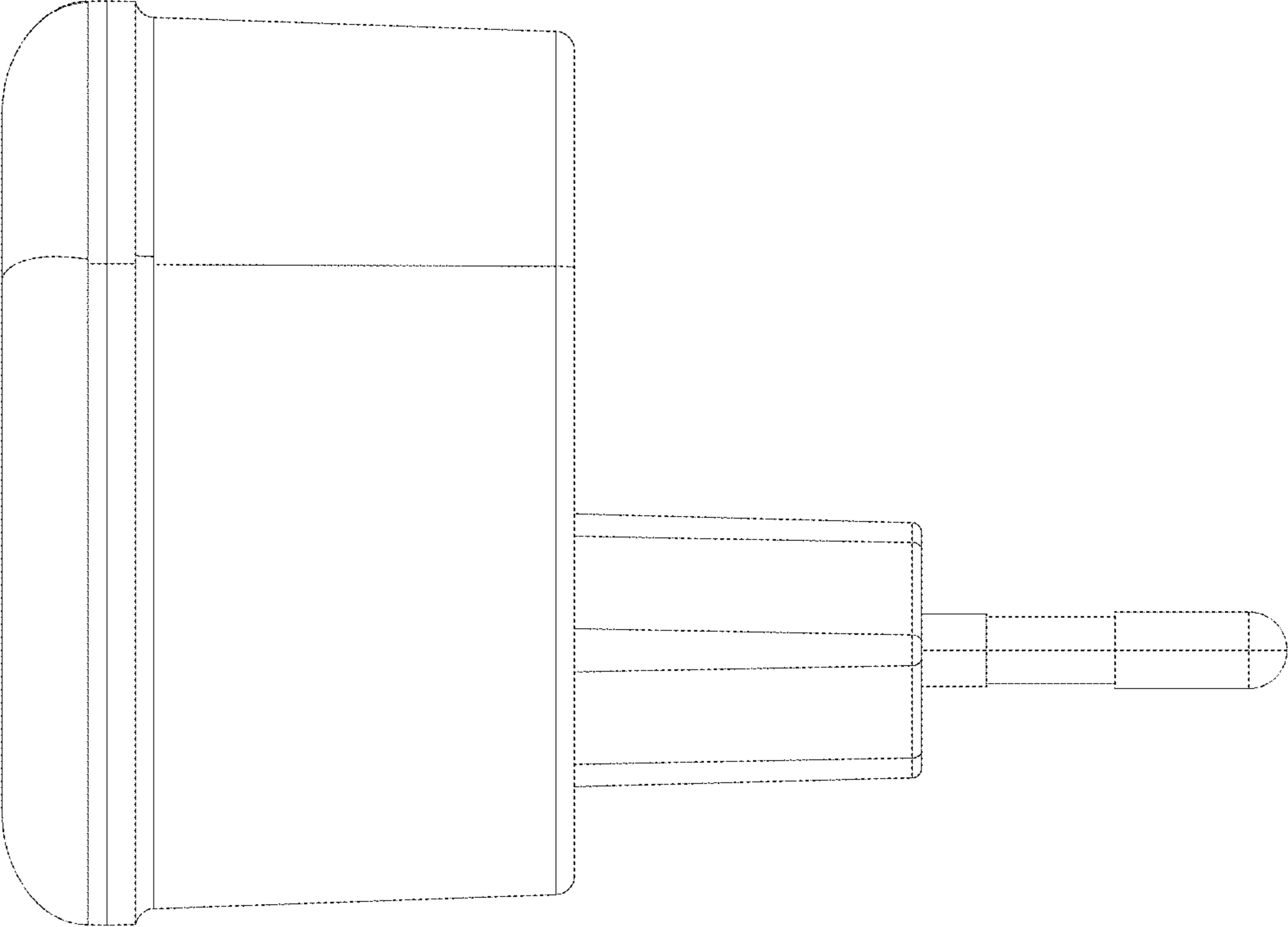


FIG. 8