



US00D926139S

(12) **United States Design Patent** (10) **Patent No.:** **US D926,139 S**
Breul (45) **Date of Patent:** **** Jul. 27, 2021**

(54) **CONTACT PLUG** 5,685,730 A * 11/1997 Cameron H01R 13/625
439/333
(71) Applicant: **Ingun Prüfmittelbau GmbH,** D554,063 S * 10/2007 Takizawa D13/133
Constance (DE) D593,039 S * 5/2009 Singer D13/154
D702,190 S * 4/2014 Muller D13/146
(72) Inventor: **Peter Breul,** Constance (DE) D797,052 S * 9/2017 Moseke D13/146
D883,931 S * 5/2020 Otsu D13/133
(**) Term: **15 Years** 2009/0036002 A1 * 2/2009 Aral H01R 13/432
439/825
(21) Appl. No.: **35/509,838** 2013/0285691 A1 * 10/2013 Breul G01R 1/06772
324/755.05

(22) Filed: **Jan. 13, 2020**

(80) **Hague Agreement Data**
Int. Filing Date: **Nov. 8, 2019**
Int. Reg. No.: **DM/205294**
Int. Reg. Date: **Jan. 13, 2020**
Int. Reg. Pub. Date: **Jul. 17, 2020**

(51) **LOC (13) Cl.** **13-03**

(52) **U.S. Cl.**
USPC **D13/133**

(58) **Field of Classification Search**
USPC D13/133, 110, 107, 146, 154
CPC .. G01R 1/06772; H01R 13/432; H01R 24/20;
H01R 9/0518; H01R 13/04; H01R 13/625
See application file for complete search history.

(56) **References Cited**

U.S. PATENT DOCUMENTS

3,315,220 A * 4/1967 Flanagan H01R 13/04
439/874
3,335,392 A * 8/1967 Elliott H01R 24/20
439/423
4,601,497 A * 7/1986 Bartholomew F16L 37/0987
285/319
4,995,836 A * 2/1991 Toramoto H01R 9/0518
439/578

OTHER PUBLICATIONS

“High-frequency Probe HFS-819” found on the internet by RMS reference dated Apr. 10, 2021 https://ingun.com/en/Services/Press/2016/01/29/GKS_HFS-819.*

* cited by examiner

Primary Examiner — Rhea Shields

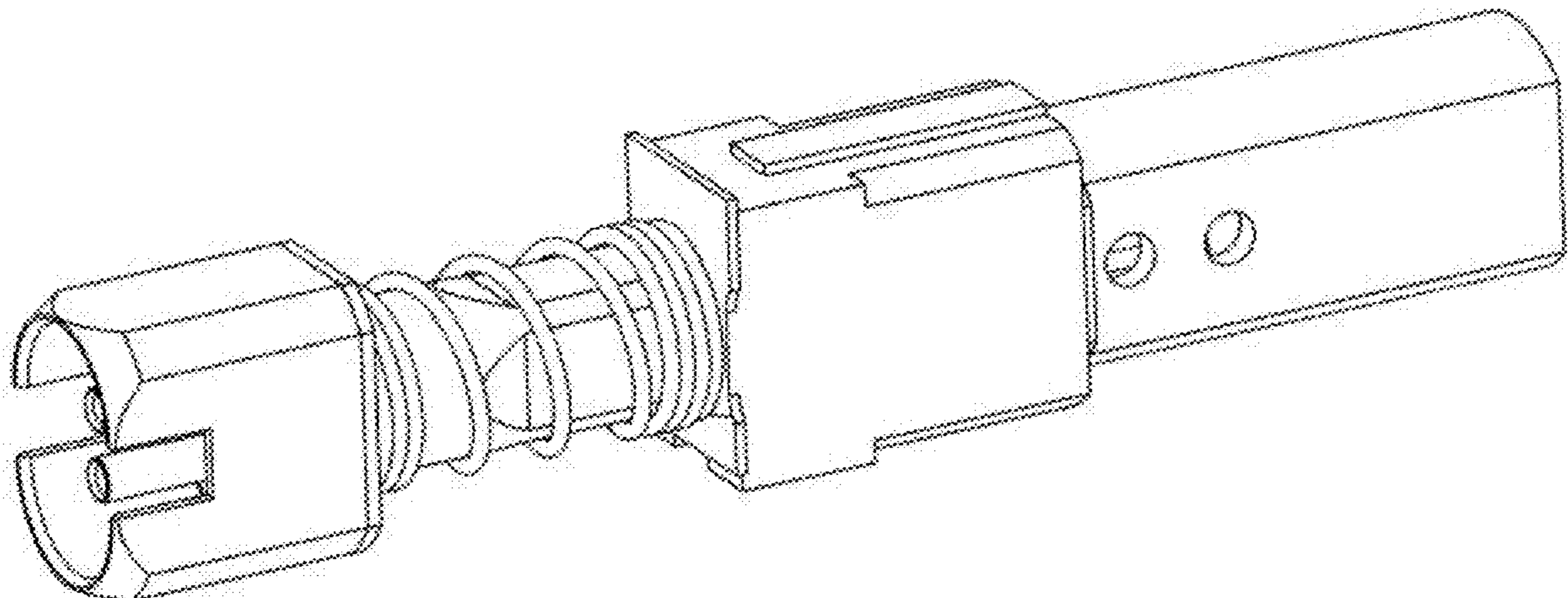
(57) **CLAIM**

The ornamental design for a contact plug, as shown and described.

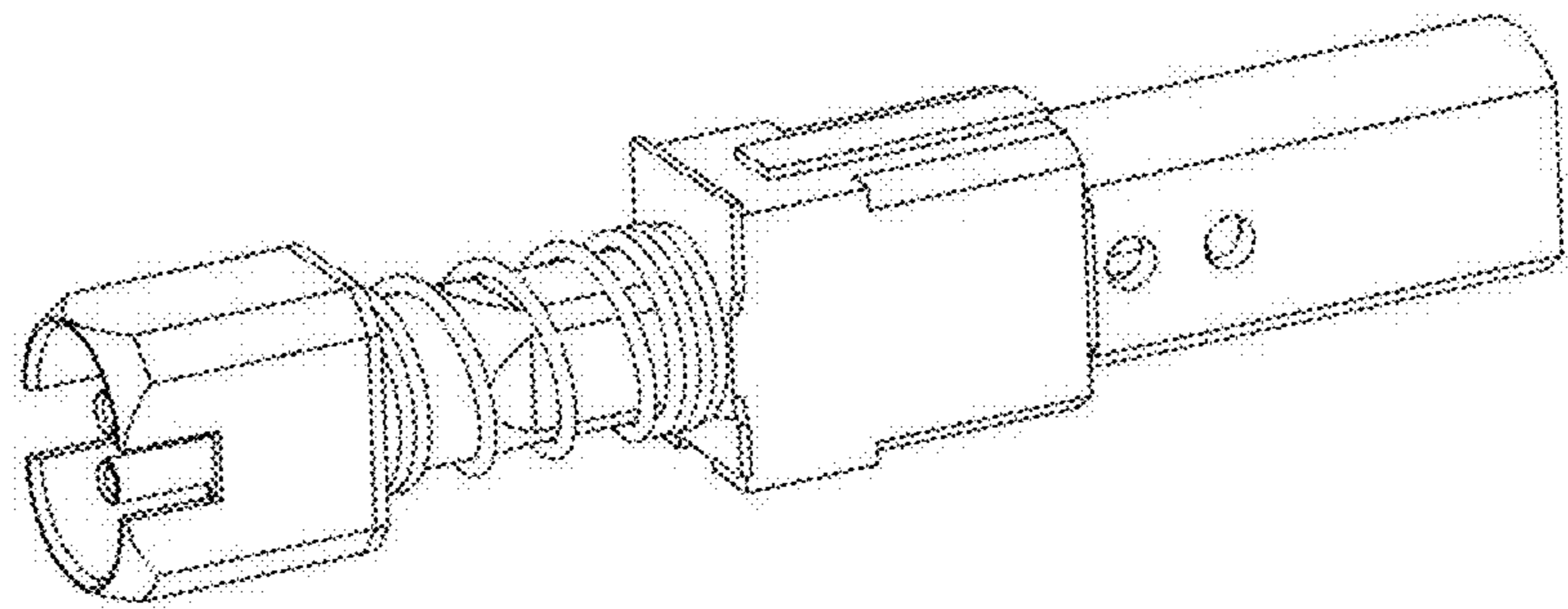
DESCRIPTION

- 1. Contact plug
- 1.1 is a perspective front view;
- 1.2 is a perspective back view;
- 1.3 is a back view;
- 1.4 is a top view;
- 1.5 is a back view;
- 1.6 is a bottom view;
- 1.7 is a perspective view; and
- 1.8 is a perspective view.

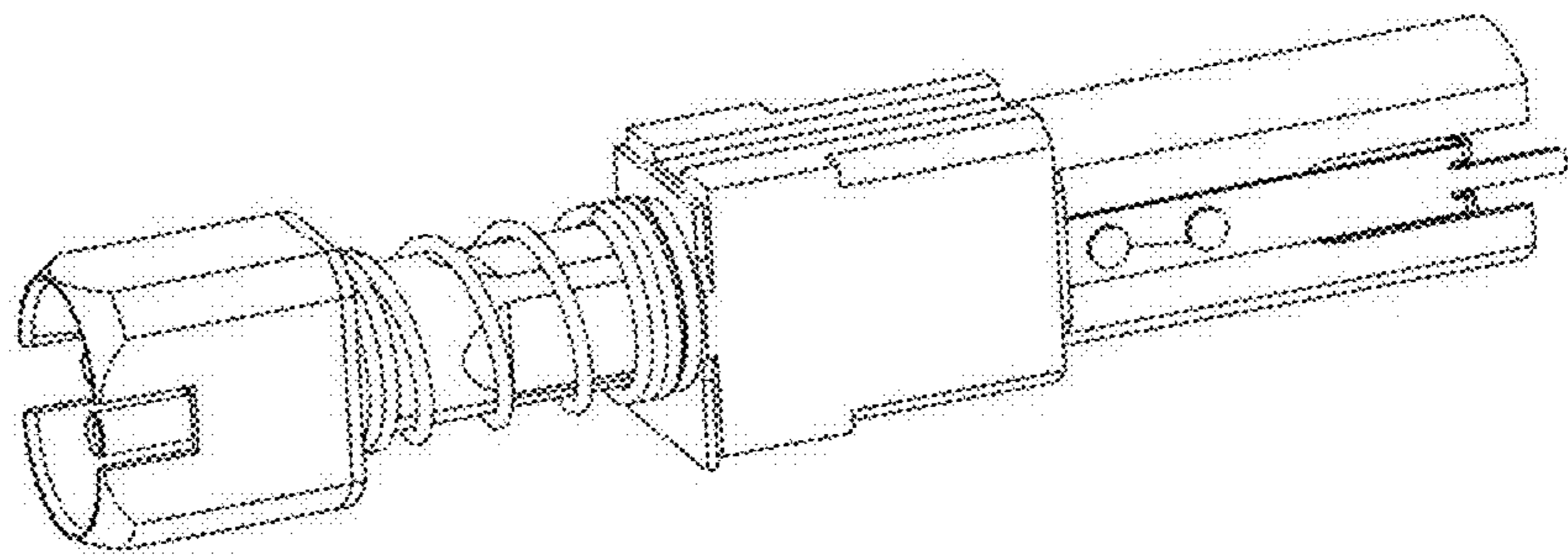
1 Claim, 8 Drawing Sheets



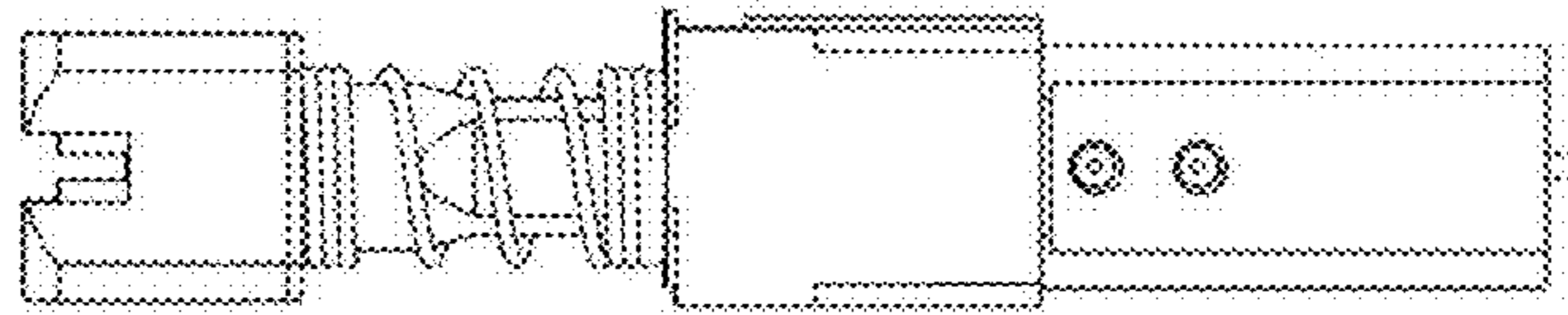
1.1



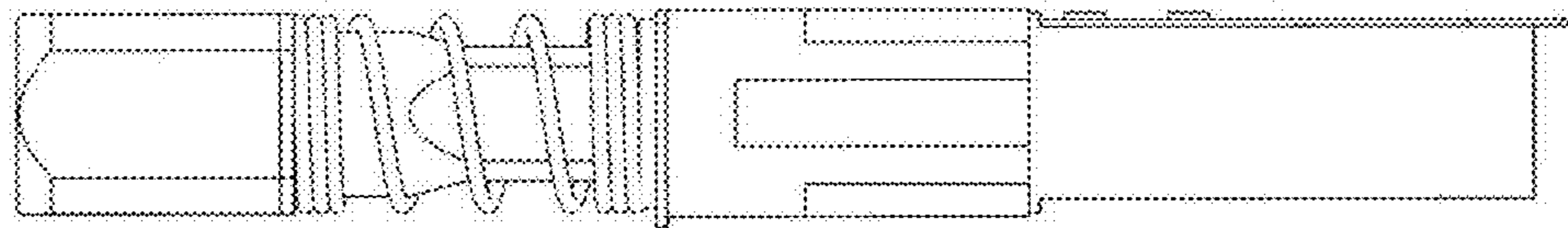
1.2



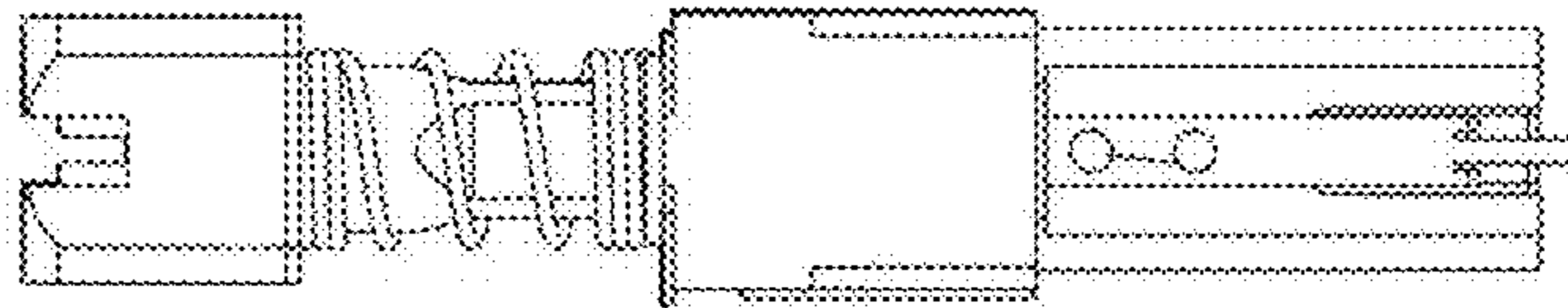
1.3



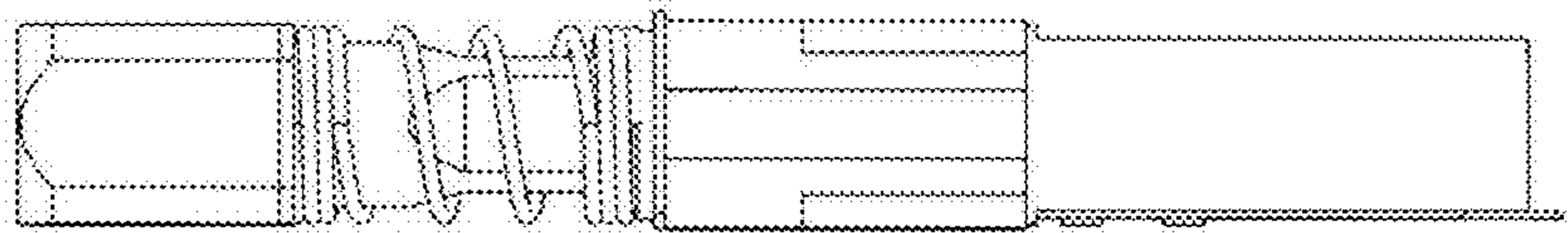
1.4



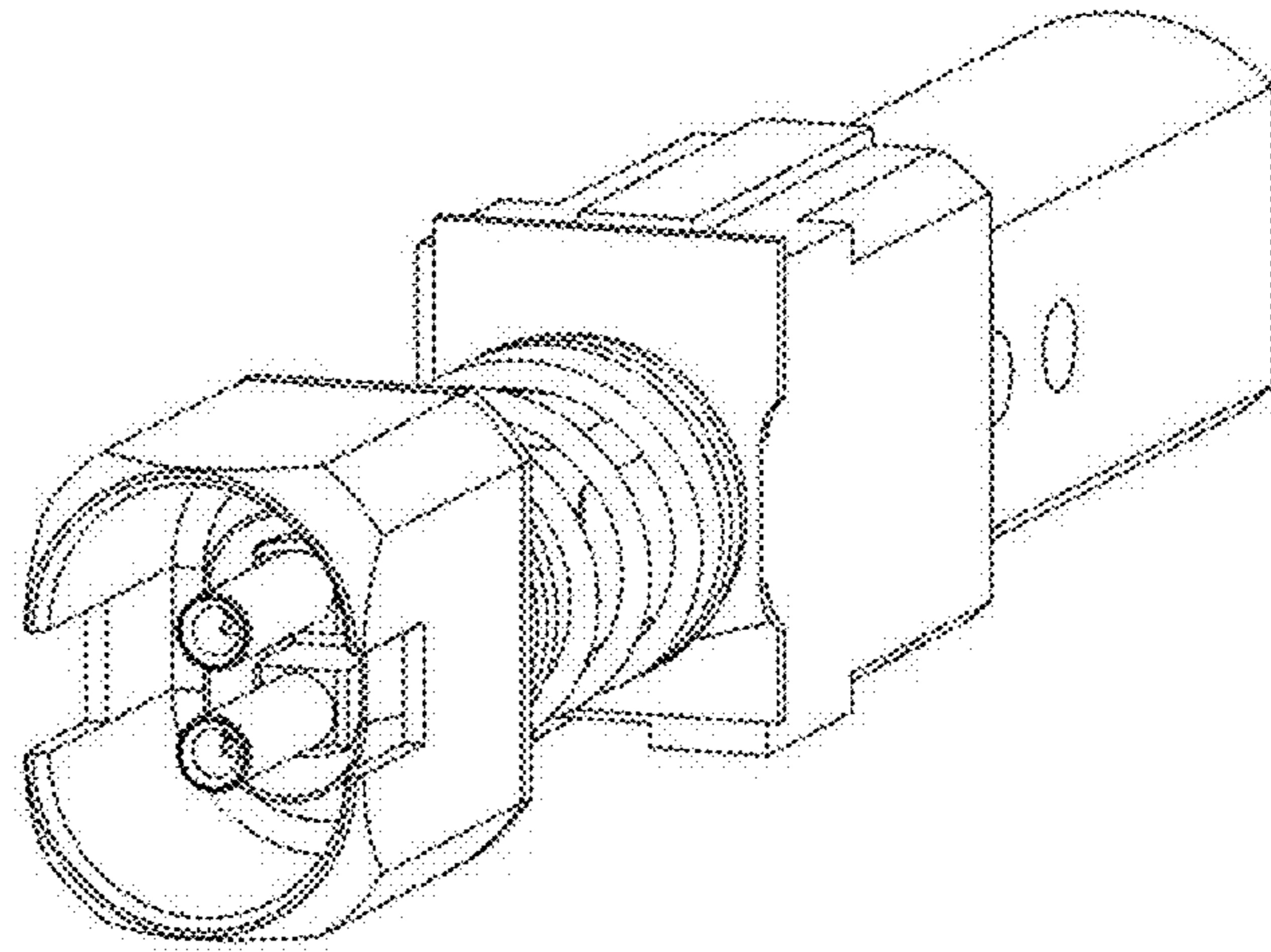
1.5



1.6



1.7



1.8

