



US00D926138S

(12) **United States Design Patent** (10) **Patent No.:** **US D926,138 S**
Levy et al. (45) **Date of Patent:** **** Jul. 27, 2021**

- (54) **STRAIN RELIEF CABLE**
- (71) Applicant: **Navajo Manufacturing Company, Inc.**, Denver, CO (US)
- (72) Inventors: **Gordon Levy**, Golden, CO (US); **Shawn A. Shelton**, Highlands Ranch, CO (US)
- (73) Assignee: **Navajo Manufacturing Company, Inc.**, Denver, CO (US)

D702,645 S * 4/2014 Hori D13/147
 D784,931 S * 4/2017 Fries D13/153
 D792,585 S * 7/2017 Miller D24/129

(Continued)

OTHER PUBLICATIONS

KINPS MFI USB C to Lightning, Date: Oct. 18, 2019, [Site visited Dec. 17, 2020], Available from Internet URL: <https://hottipsusa.com/collections/cables/products/extended-6-foot-braided-mfi-lightning%C2%AE-connector-charge-sync-cable> (Year: 2019).*

(Continued)

(**) Term: **15 Years**

Primary Examiner — Susan Bennett Hattan

Assistant Examiner — Landon T Cassell

(21) Appl. No.: **29/713,193**

(74) *Attorney, Agent, or Firm* — Studebaker & Brackett PC

(22) Filed: **Nov. 14, 2019**

(57) **CLAIM**

(51) **LOC (13) Cl.** **13-03**

The ornamental design for a strain relief cable, as shown and described.

(52) **U.S. Cl.**

USPC **D13/133**

DESCRIPTION

(58) **Field of Classification Search**

USPC D13/103, 107, 108, 110, 112, 118, 120,
 D13/123, 133, 137.1, 138.1, 139.1,
 D13/145–147, 149–156, 158, 173, 177,
 D13/184, 199; D14/240, 242, 256, 432,
 D14/433, 434, 435.1, 438, 439,
 D14/480.1–480.7, 484.1; D24/129

See application file for complete search history.

FIG. 1 is a front perspective view showing our new design for a strain relief cable,
 FIG. 2 is a front view thereof,
 FIG. 3 is a rear view thereof,
 FIG. 4 is a left side view thereof,
 FIG. 5 is a right side view thereof,
 FIG. 6 is a top view thereof,
 FIG. 7 is a bottom view thereof,
 FIG. 8 is a front perspective view of a portion of the strain relief cable,
 FIG. 9 is a front view thereof,
 FIG. 10 is a rear view thereof,
 FIG. 11 is a left side view thereof,
 FIG. 12 is a right side view thereof,
 FIG. 13 is a top view thereof; and,
 FIG. 14 is a bottom view thereof.

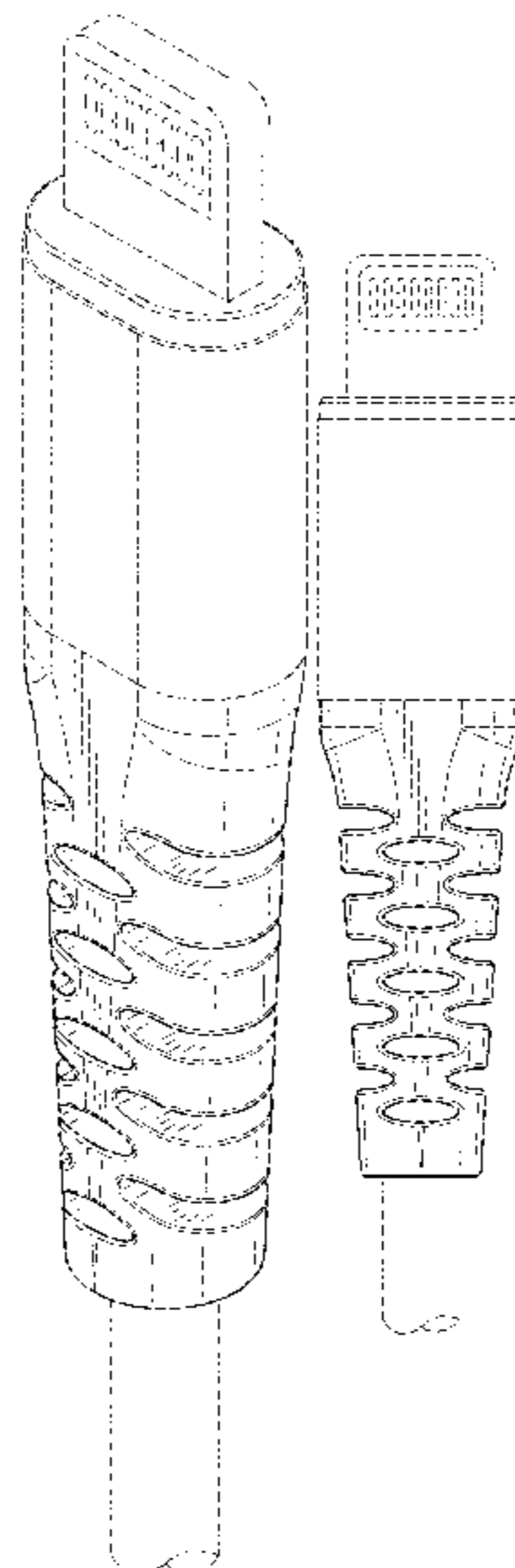
The broken lines in the drawings depict portions of the strain relief cable that form no part of the claimed design.

(56) **References Cited**

U.S. PATENT DOCUMENTS

D448,734 S * 10/2001 Nakashima D13/153
 D552,555 S * 10/2007 Kuo D13/147
 D562,769 S * 2/2008 Ashida D13/133
 D576,102 S * 9/2008 Zenri D13/147
 D586,293 S * 2/2009 Fujino D13/133
 D589,446 S * 3/2009 Dunham D13/133
 D620,449 S * 7/2010 Lee D13/154
 D674,347 S * 1/2013 Shifris D13/133
 D691,093 S * 10/2013 Yu D13/147

1 Claim, 8 Drawing Sheets



(56)

References Cited

U.S. PATENT DOCUMENTS

D795,875 S * 8/2017 Kim D14/433
D881,356 S * 4/2020 Mezzalira D23/262
2014/0321808 A1* 10/2014 Irwin G02B 6/3893
385/56

OTHER PUBLICATIONS

Extended 6 Foot MFi Lightning Connector, Date: NA, [Site visited
Dec. 17, 2020], Available from Internet URL: <https://www.amazon.com/dp/B07Z9VVKKN>/(Year: NA) (Year: NA).*

* cited by examiner

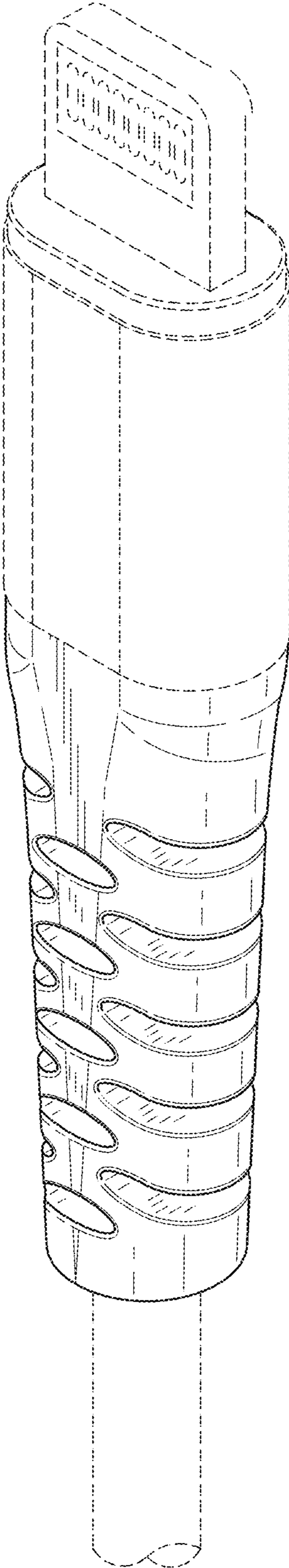


FIG. 1

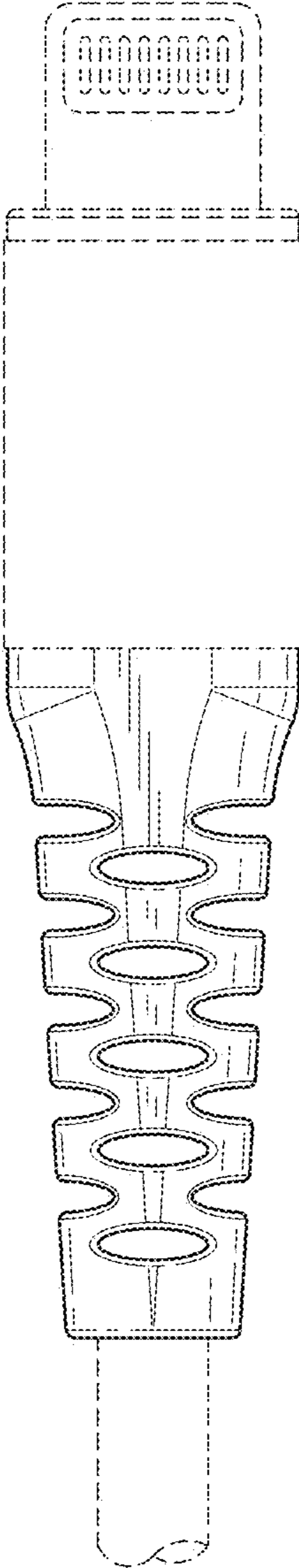


FIG. 2

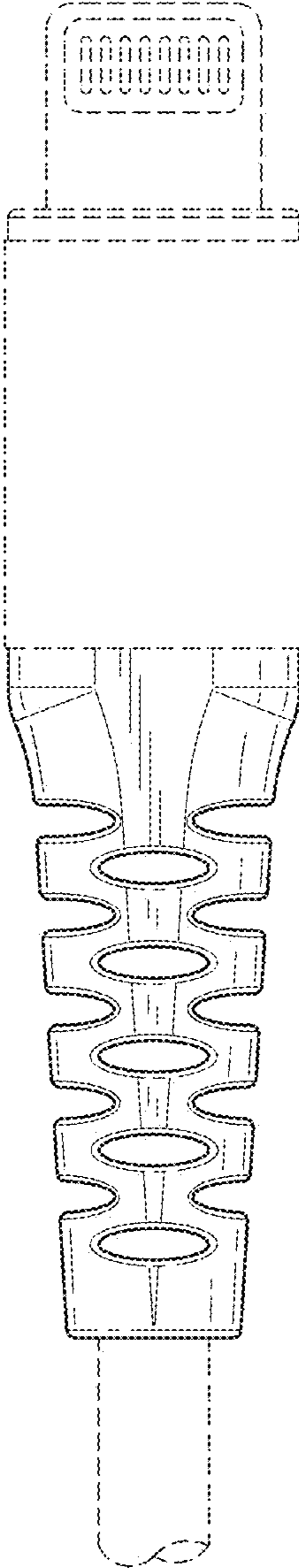


FIG. 3

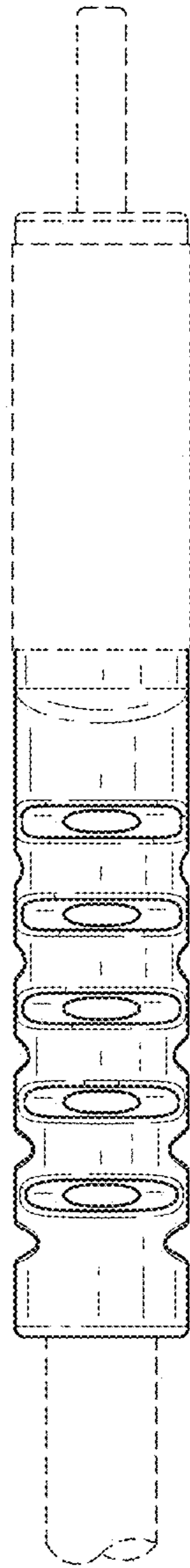


FIG. 4

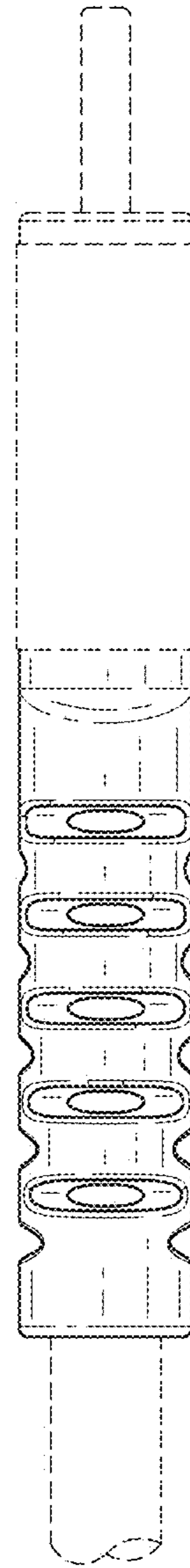


FIG. 5

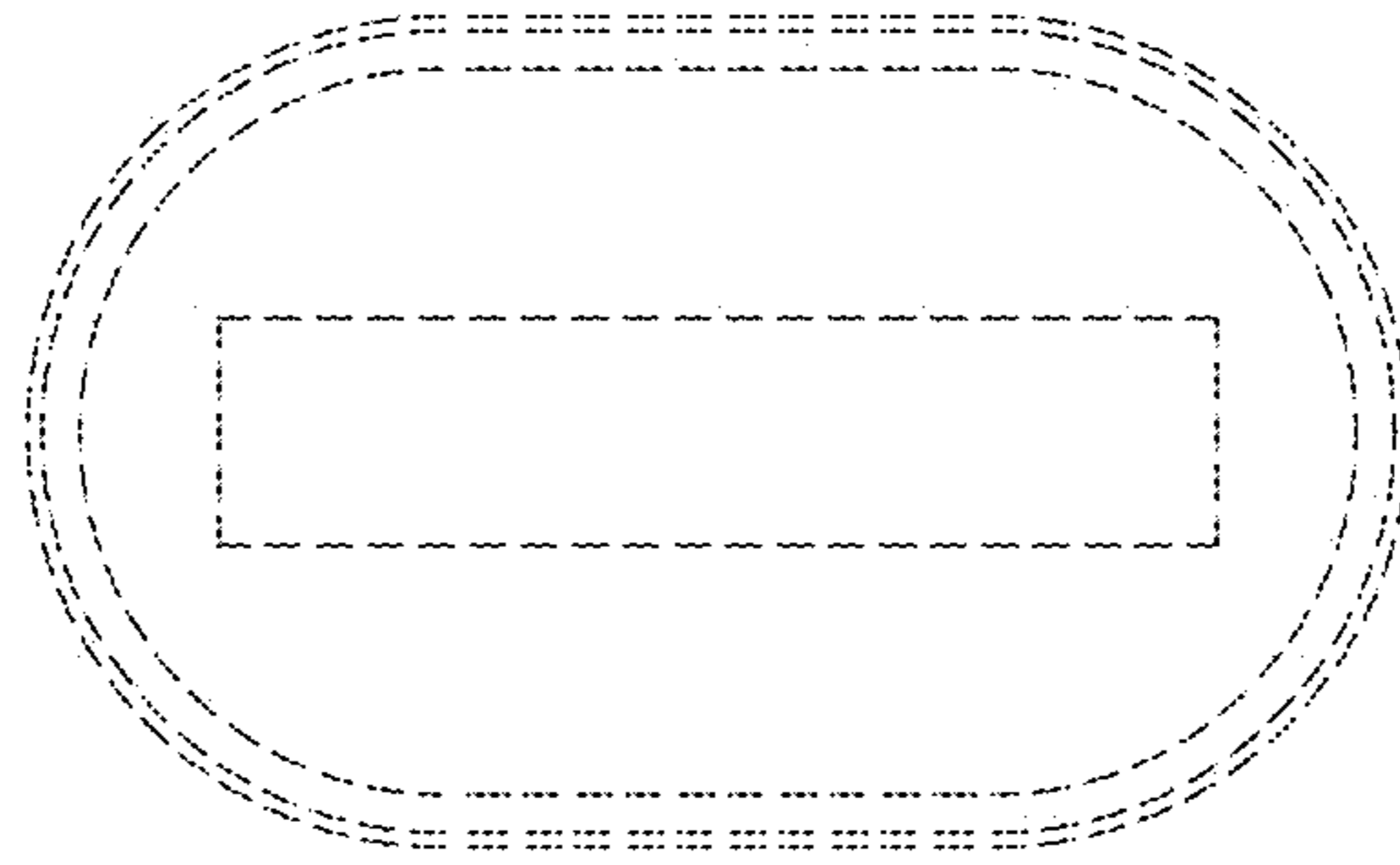


FIG. 6

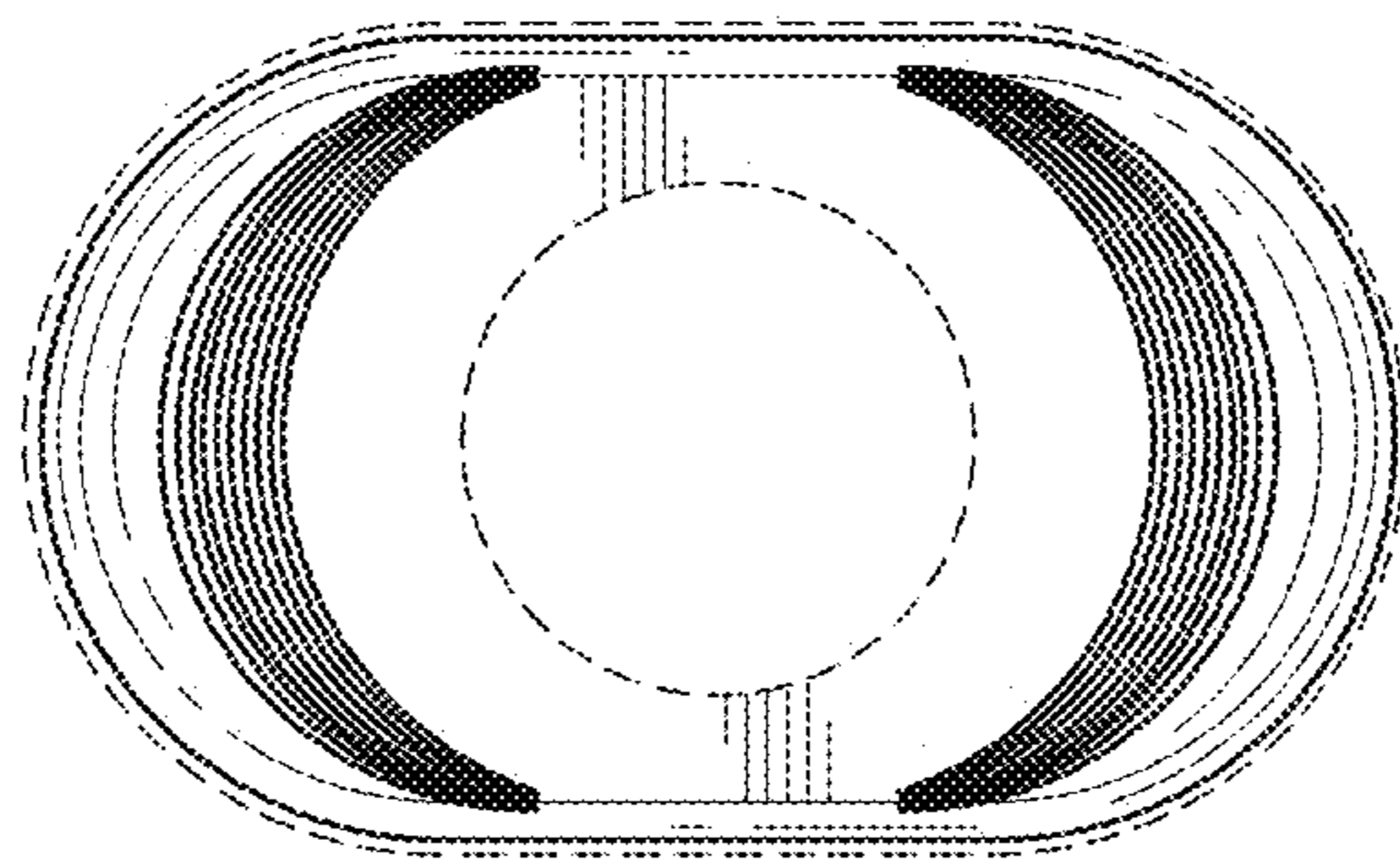


FIG. 7

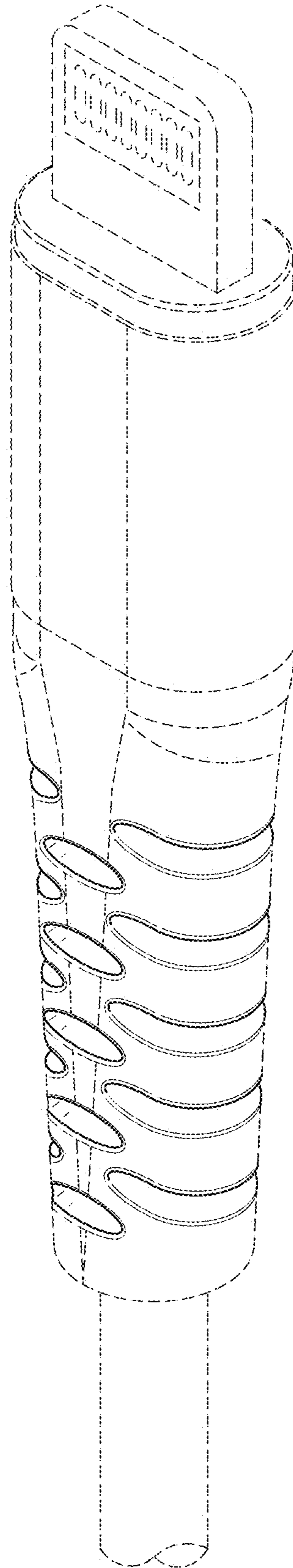


FIG. 8

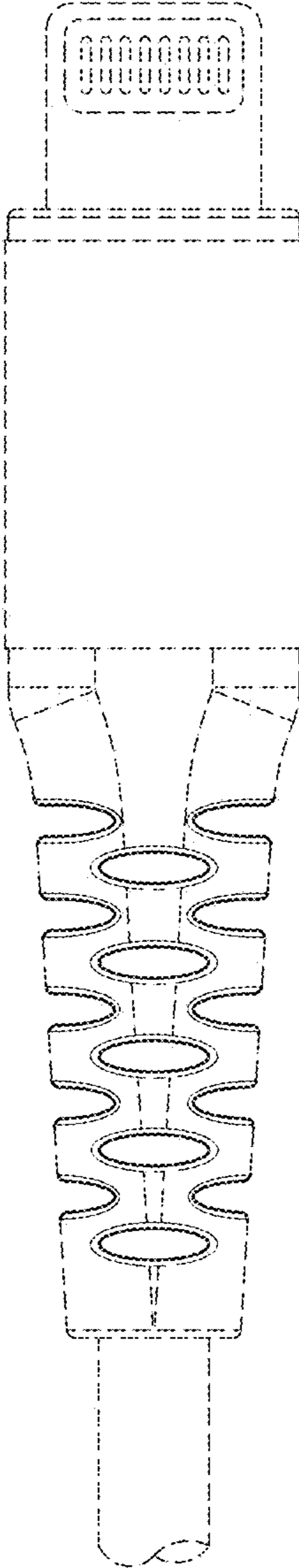


FIG. 9

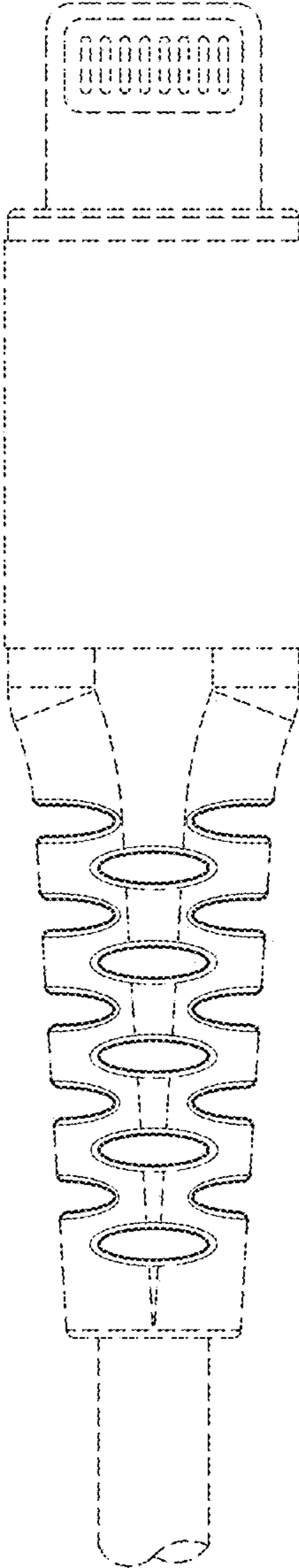


FIG. 10

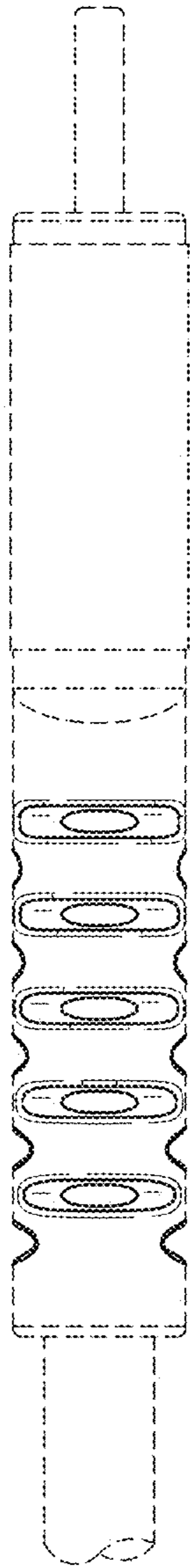


FIG. 11

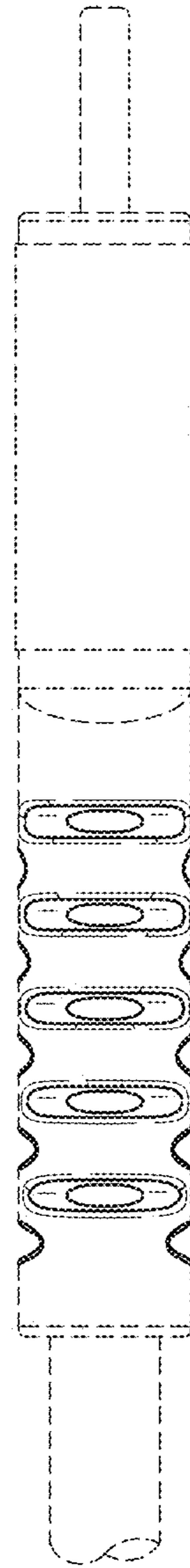


FIG. 12

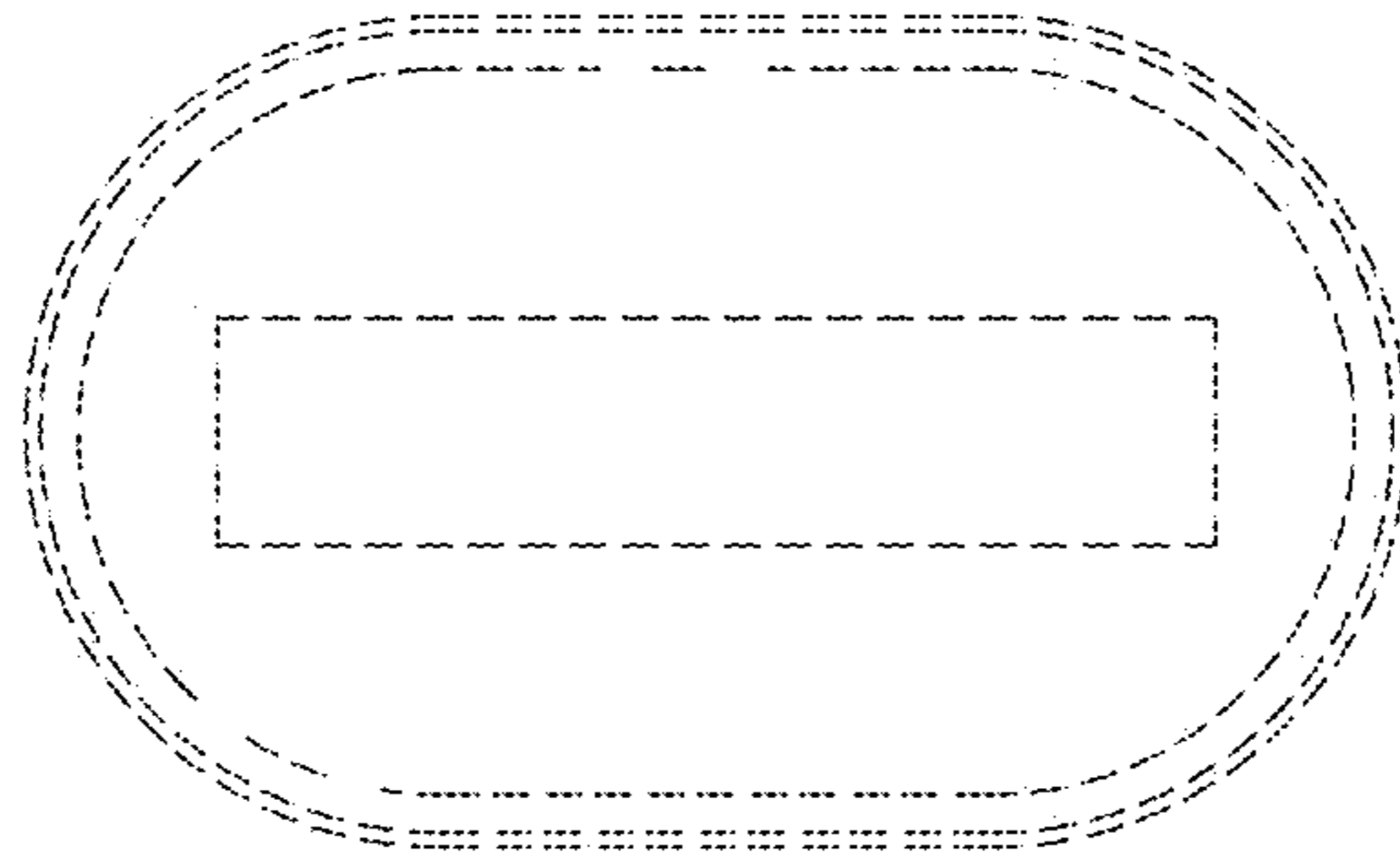


FIG. 13

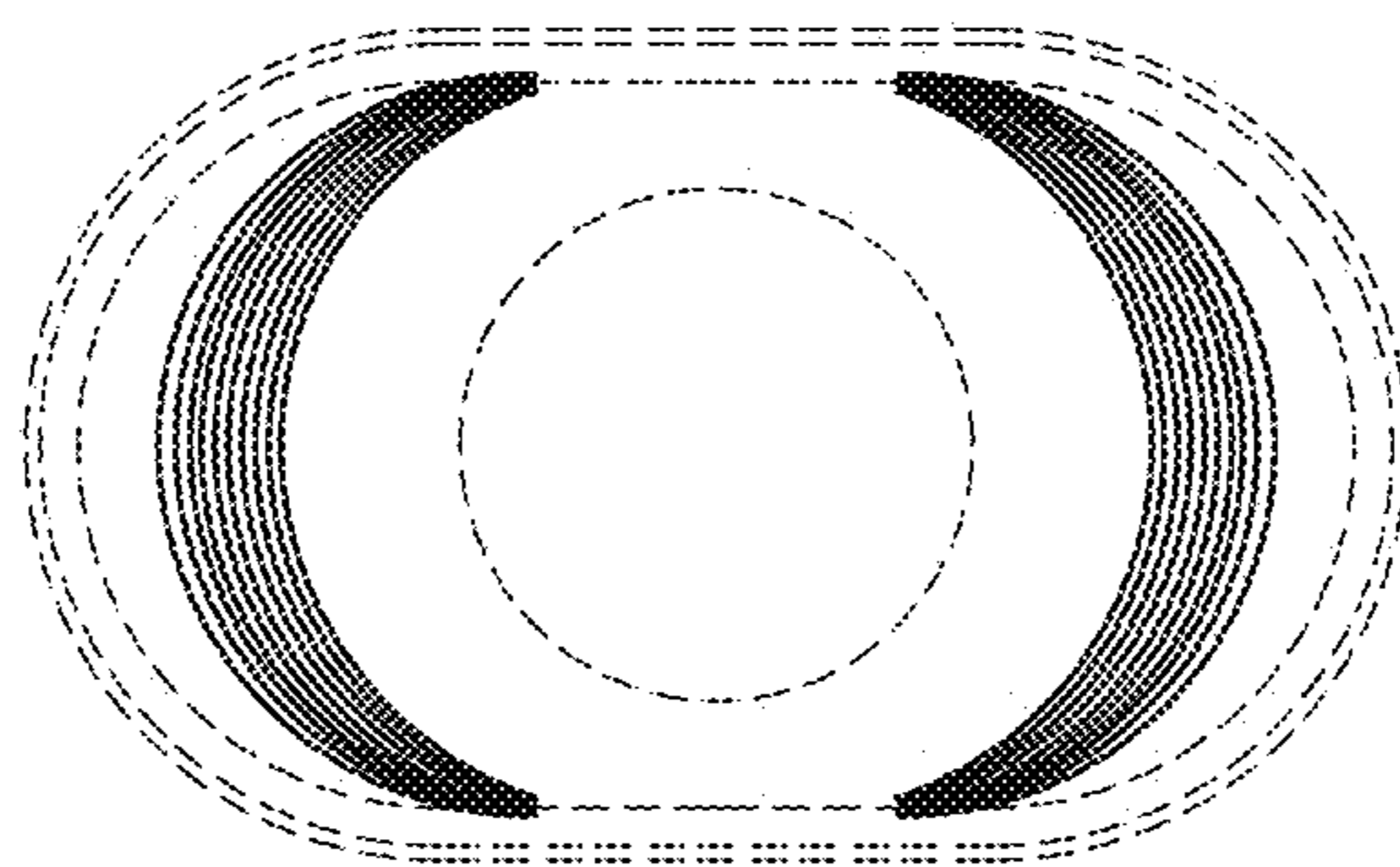


FIG. 14