



US00D926134S

(12) **United States Design Patent** (10) **Patent No.:** **US D926,134 S**
Chung (45) **Date of Patent:** **** Jul. 27, 2021**

(54) **FERRITE CORE**

H01F 27/292; H01F 27/325; H01F 38/08;
H01F 17/04; H01F 17/045; H01F 37/00;
H02M 3/28

(71) Applicants: **LITE-ON ELECTRONICS (GUANGZHOU) LIMITED**, Guangzhou (CN); **LITE-ON TECHNOLOGY CORPORATION**, Taipei (TW)

See application file for complete search history.

(56) **References Cited**

U.S. PATENT DOCUMENTS

(72) Inventor: **Chao-Lin Chung**, Taipei (TW)

D204,382 S	4/1966	Sweeney et al.	
3,315,196 A *	4/1967	Kawahara	H01F 17/043 336/83
3,371,301 A *	2/1968	Hisano	H01F 17/04 336/83
3,898,601 A	8/1975	Meindi	
D264,959 S *	6/1982	Ota	D13/118
4,405,913 A	9/1983	Finkbeiner	
4,424,504 A *	1/1984	Mitsui	H01F 27/266 336/233
D280,810 S	10/1985	Mitsui	
5,140,291 A	8/1992	Mulder et al.	
5,175,525 A	12/1992	Smith	
D463,365 S	9/2002	Sakai et al.	
6,696,913 B2	2/2004	Meuche et al.	
7,701,320 B2	4/2010	Iwakura et al.	
7,969,266 B2	6/2011	Sano et al.	

(73) Assignees: **LITE-ON ELECTRONICS (GUANGZHOU) LIMITED**; **LITE-ON TECHNOLOGY CORPORATION**

(**) Term: **15 Years**

(21) Appl. No.: **29/769,847**

(22) Filed: **Feb. 8, 2021**

Related U.S. Application Data

(62) Division of application No. 29/712,401, filed on Nov. 7, 2019, now Pat. No. Des. 912,624.

Primary Examiner — Derrick E Holland

(74) *Attorney, Agent, or Firm* — Innovation Counsel LLP

(30) **Foreign Application Priority Data**

Aug. 30, 2019	(TW)	108305277
Oct. 15, 2019	(TW)	108305277D01
Oct. 15, 2019	(TW)	108305277D02

(57) **CLAIM**

The ornamental design for a ferrite core, as shown and described.

(51) **LOC (13) Cl.** **13-02**

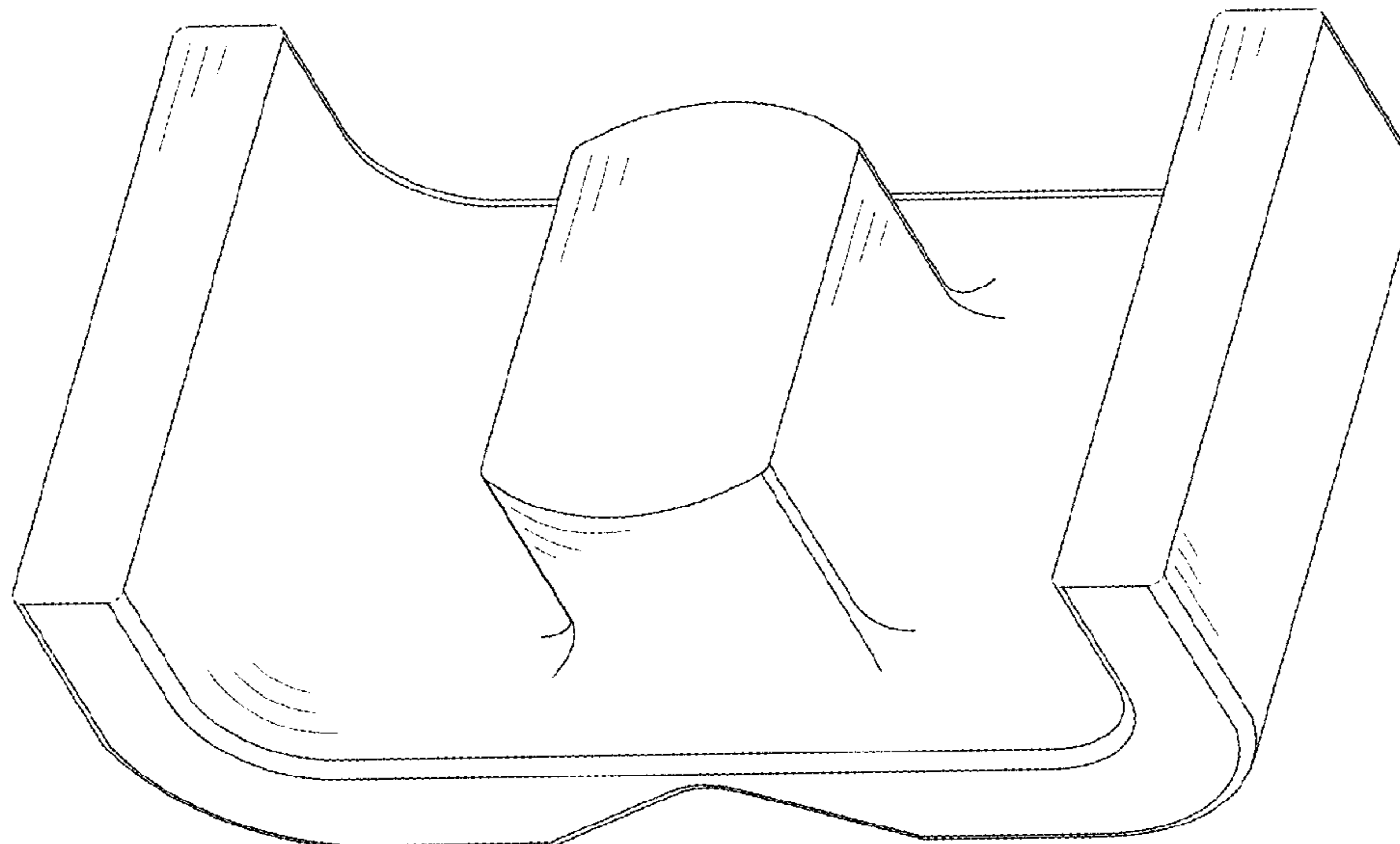
(52) **U.S. Cl.**
USPC **D13/117**

DESCRIPTION

(58) **Field of Classification Search**
USPC D13/117, 101, 118, 133, 179, 183, 199;
D15/5, 199
CPC H01F 27/02; H01F 27/04; H01F 27/24;
H01F 27/26; H01F 27/28; H01F 27/29;
H01F 27/30; H01F 27/34; H01F 27/006;

FIG. 1 is a perspective view of a ferrite core showing my new design;
FIG. 2 is a front view thereof;
FIG. 3 is a rear view thereof;
FIG. 4 is a left side thereof;
FIG. 5 is a right side view thereof;
FIG. 6 is a top plan view thereof; and,
FIG. 7 is a bottom plan view thereof.

1 Claim, 7 Drawing Sheets



(56)

References Cited

U.S. PATENT DOCUMENTS

D647,848 S	*	11/2011	Yen	D13/118
D657,311 S		4/2012	Chan et al.	
8,242,870 B1		8/2012	Folker	
D682,208 S		5/2013	Kobayashi et al.	
8,803,647 B2		8/2014	Saka et al.	

* cited by examiner

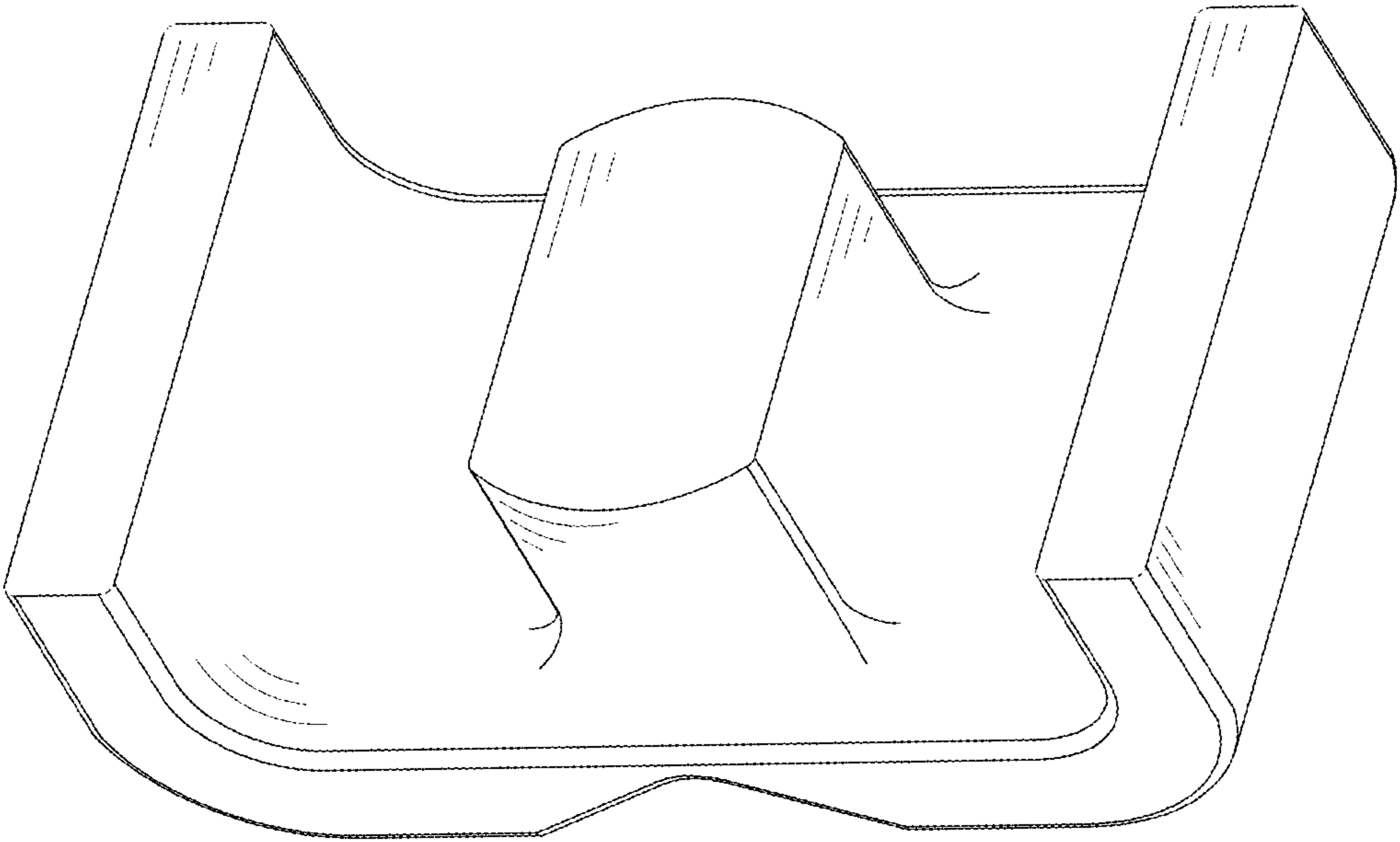


FIG. 1

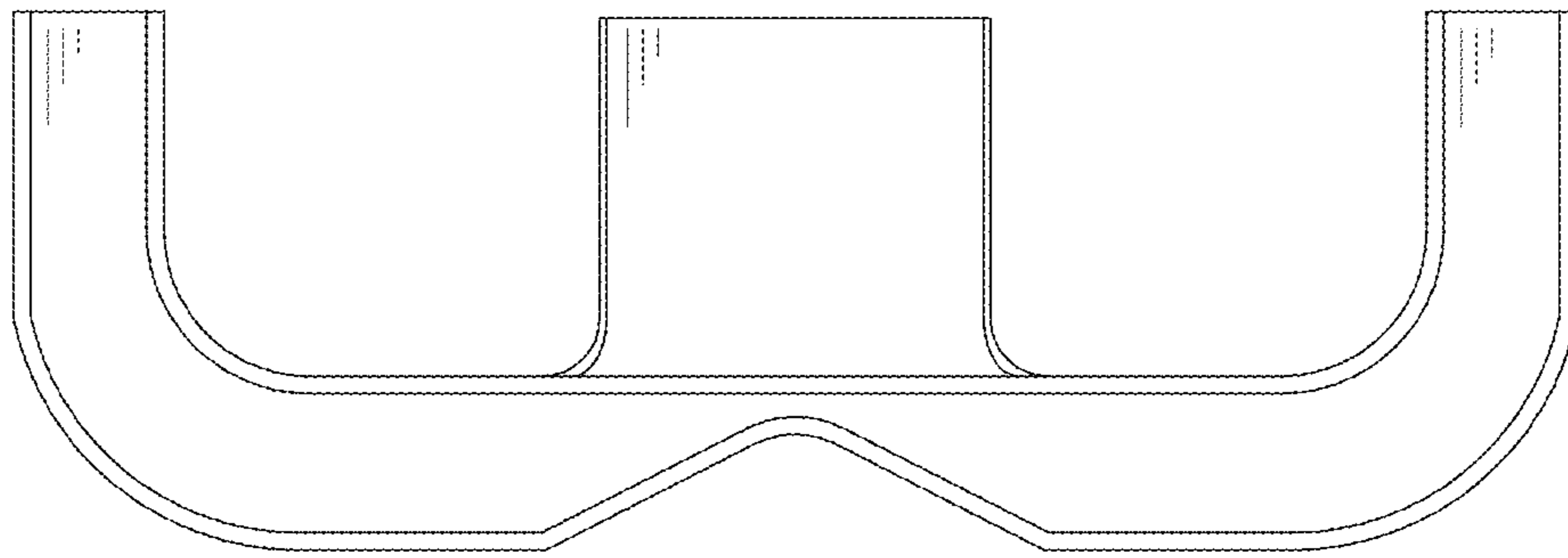


FIG. 2

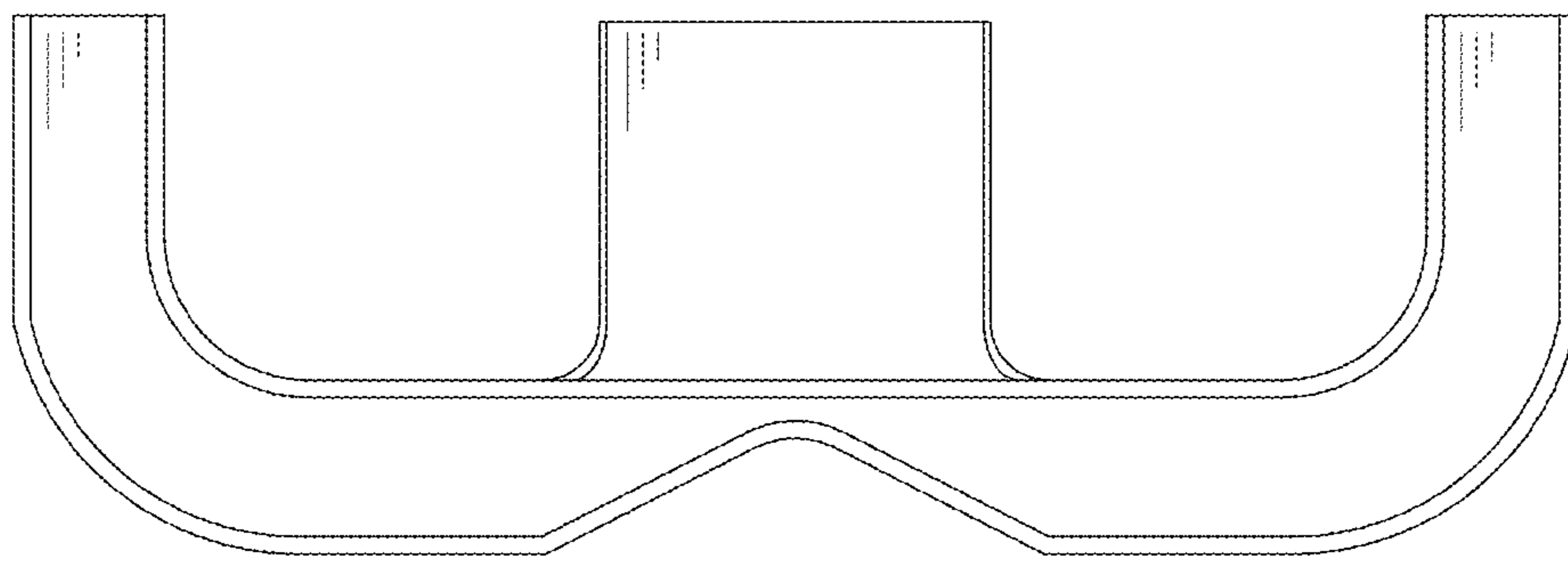


FIG. 3



FIG. 4

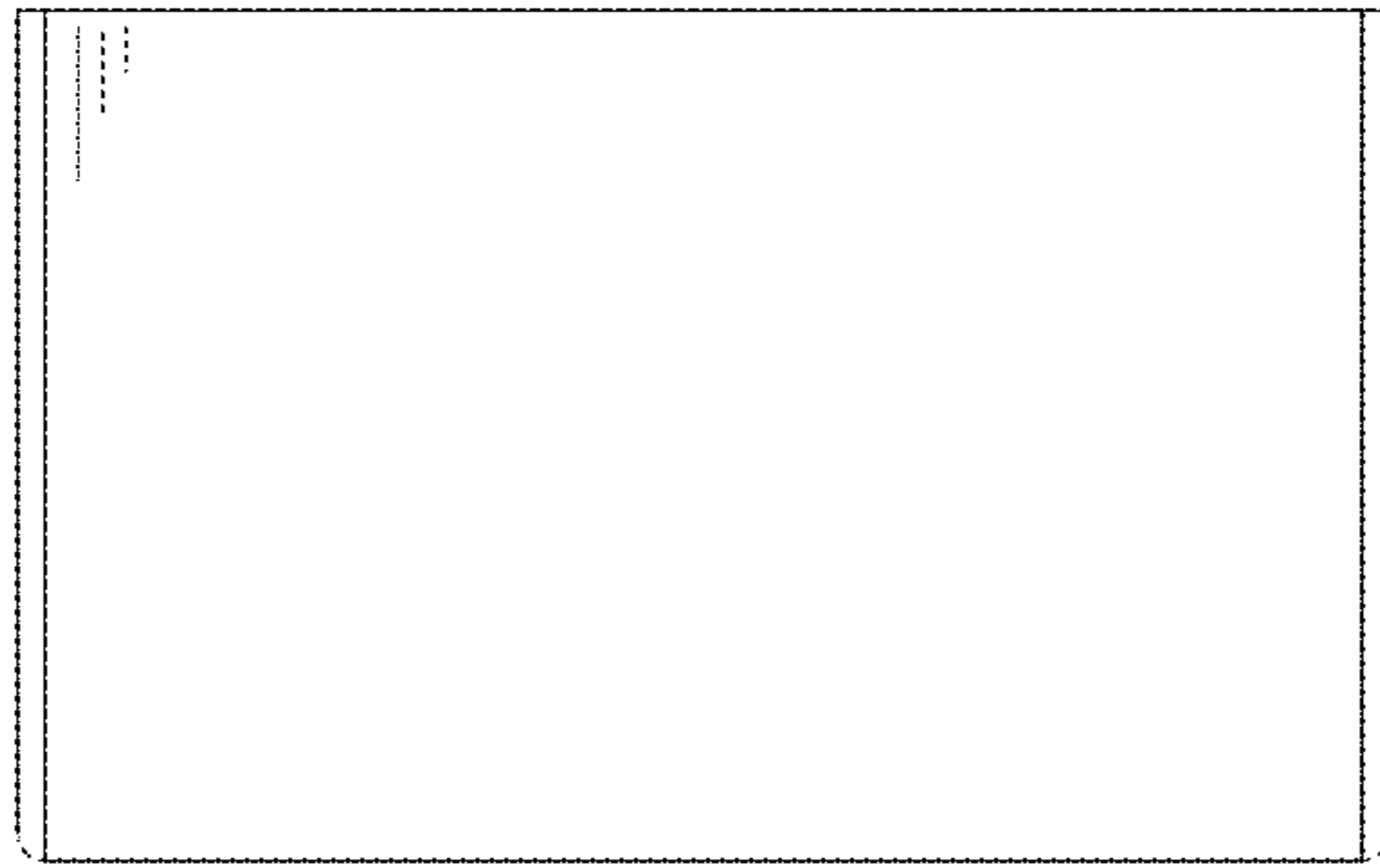


FIG. 5

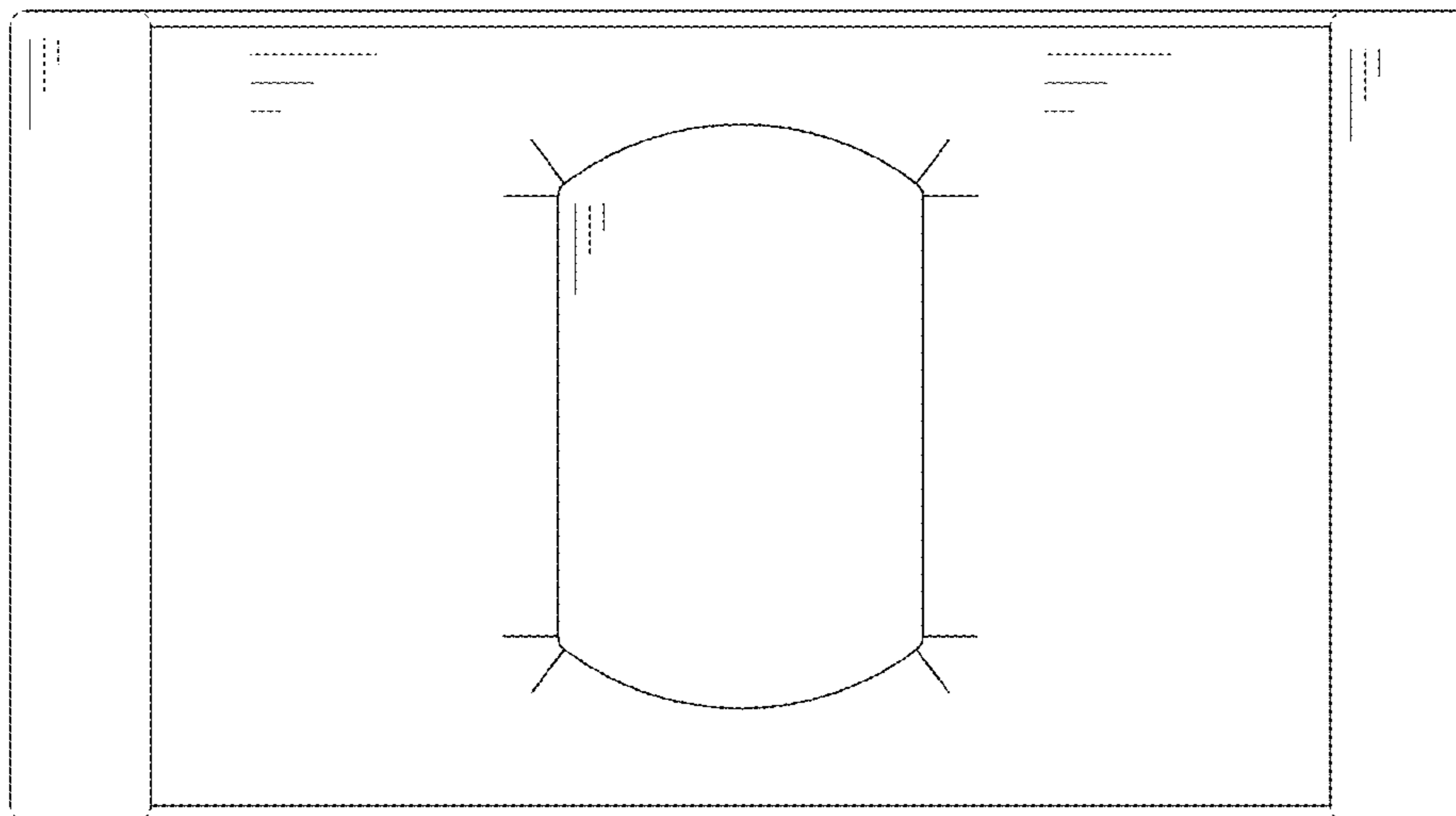


FIG. 6

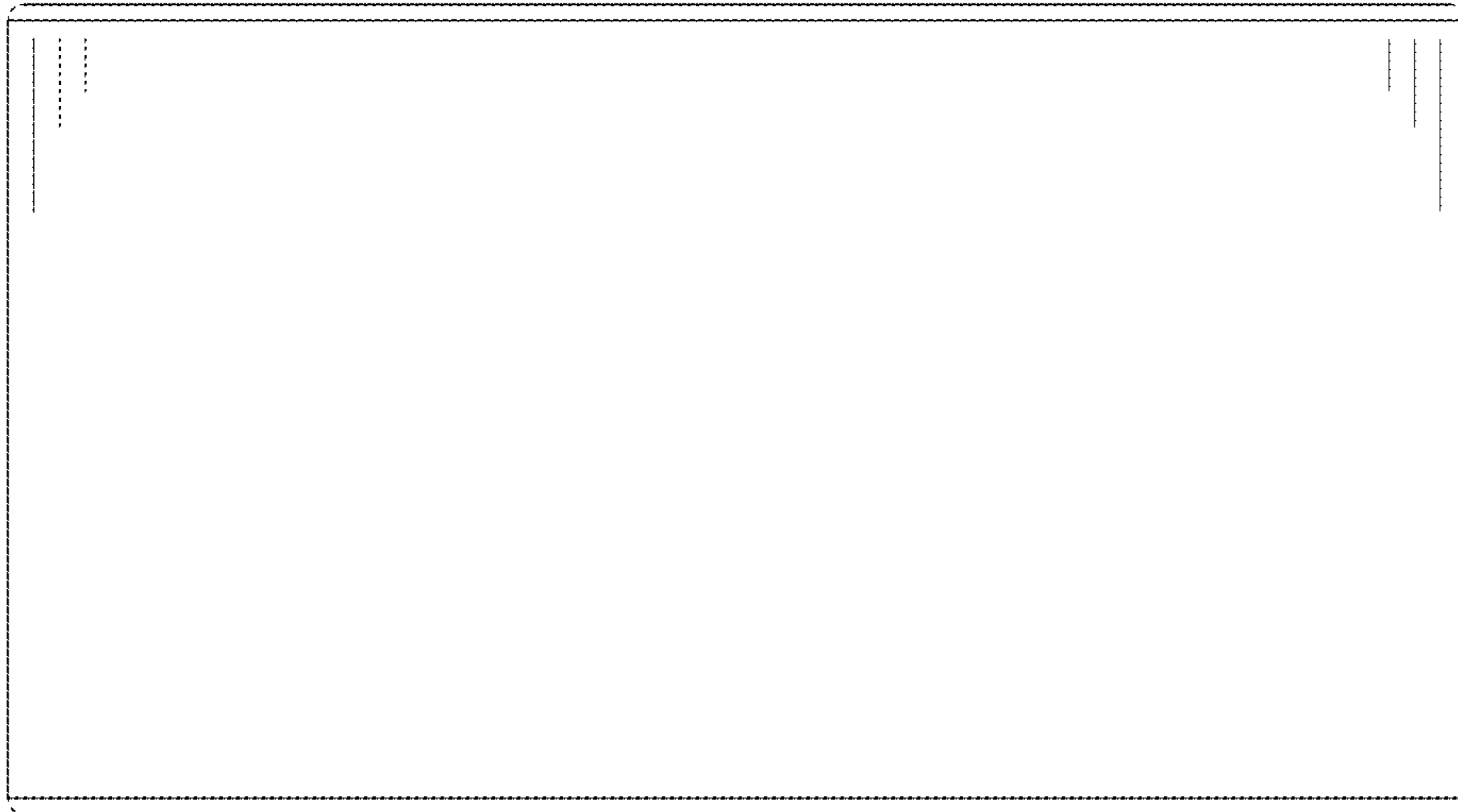


FIG. 7