



US00D926131S

(12) **United States Design Patent** (10) **Patent No.:** **US D926,131 S**  
**Norris et al.** (45) **Date of Patent:** **\*\* Jul. 27, 2021**

(54) **POWERBASE HOUSING**

5/046; A61G 5/047; A61G 5/048; A61G 5/063; A61G 5/128; A61G 5/1089

(71) Applicant: **DEKA Products Limited Partnership**,  
Manchester, NH (US)

See application file for complete search history.

(72) Inventors: **Matthew A. Norris**, Londonderry, NH (US); **Alexander D. Streeter**, Concord, NH (US); **David E. Collins**, Amesbury, MA (US); **Prashant Bhat**, Bedford, NH (US); **Trevor A. Conway**, Manchester, NH (US)

(56) **References Cited**

U.S. PATENT DOCUMENTS

D453,142	S	*	1/2002	Watanabe	.....	D13/118
D462,329	S	*	9/2002	Hughes	.....	D13/152
D579,417	S	*	10/2008	Stuckmann	.....	D13/152
D706,217	S	*	6/2014	McKune	.....	D13/110
D812,571	S	*	3/2018	Jackson	.....	D13/152
2005/0027396	A1	*	2/2005	Yang	.....	B60G 17/0157 700/245
2005/0285357	A1	*	12/2005	Lin	.....	B62D 51/04 280/47.26

(\*\*) Term: **15 Years**

\* cited by examiner

(21) Appl. No.: **29/757,855**

(22) Filed: **Nov. 10, 2020**

**Related U.S. Application Data**

*Primary Examiner* — Derrick E Holland

(63) Continuation of application No. 29/690,306, filed on May 7, 2019, now Pat. No. Des. 903,591, which is a continuation of application No. 16/035,205, filed on Jul. 13, 2018.

(74) *Attorney, Agent, or Firm* — Kathleen Chapman

(51) **LOC (13) Cl.** ..... **13-02**

(57) **CLAIM**

(52) **U.S. Cl.**

The ornamental design of a powerbase housing, as shown and described.

USPC ..... **D13/110**; D13/112

**DESCRIPTION**

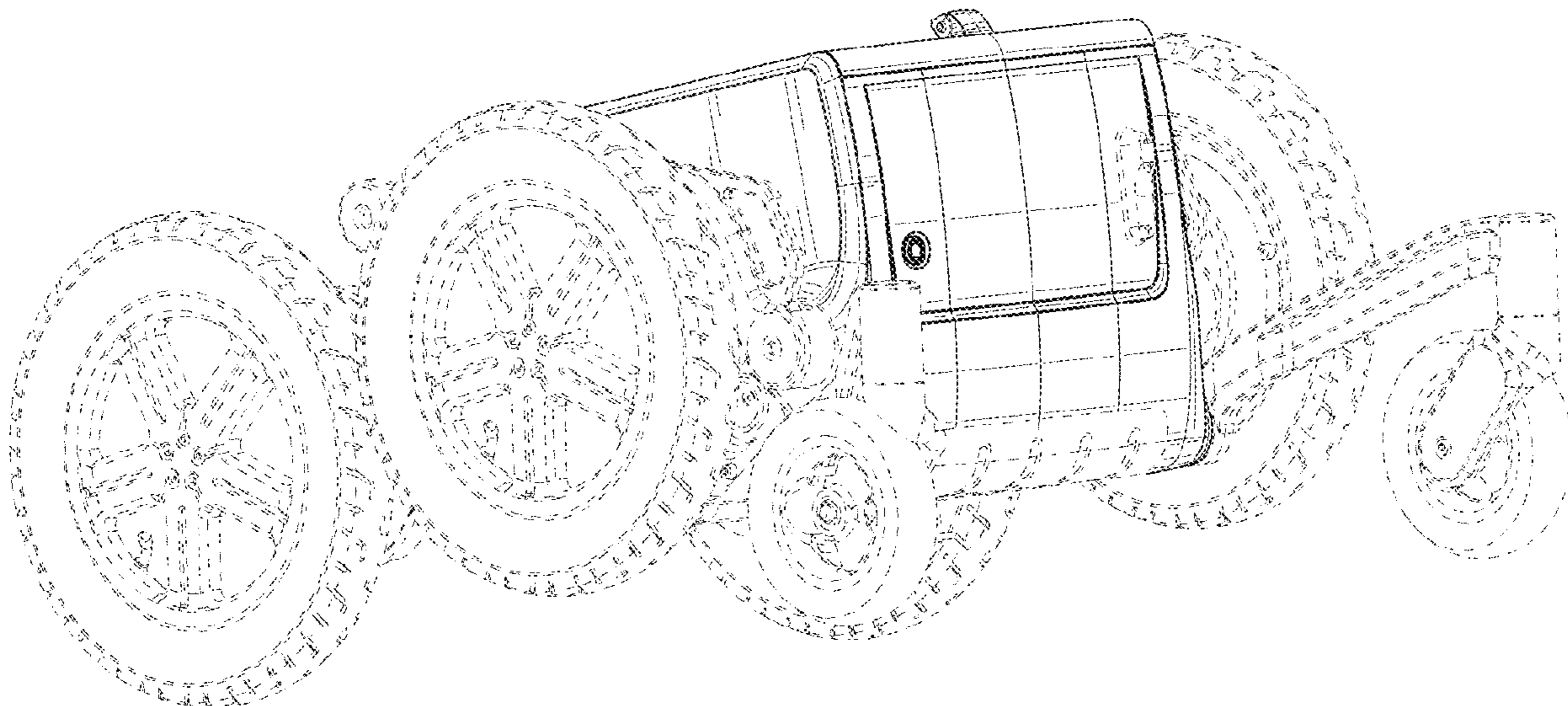
(58) **Field of Classification Search**

USPC ..... D13/110, 112, 101, 102, 103, 107, 108, D13/118, 119, 122, 123, 152, 184, 199; D12/1; D14/432, 433

FIG. 1 is a front, top, right side perspective view of a powerbase housing, showing our new design; FIG. 2 is a rear, top, left side perspective view thereof; FIG. 3 is a front, top, left side perspective view thereof; FIG. 4 is an exploded perspective view thereof; and, FIG. 5 is a rear, top, right side perspective view thereof. The features shown in broken lines depict environmental structure only and form no part of the claimed design.

CPC .. H02J 7/00; H02J 7/027; H02J 7/0042; H02J 7/0045; H02J 7/0047; H02J 7/0063; H02M 7/00; H02M 7/003; H01M 2/202; H01M 2/204; H01M 2/1022; H01M 2/342; H05K 5/023; A61G 5/041; A61G

**1 Claim, 4 Drawing Sheets**



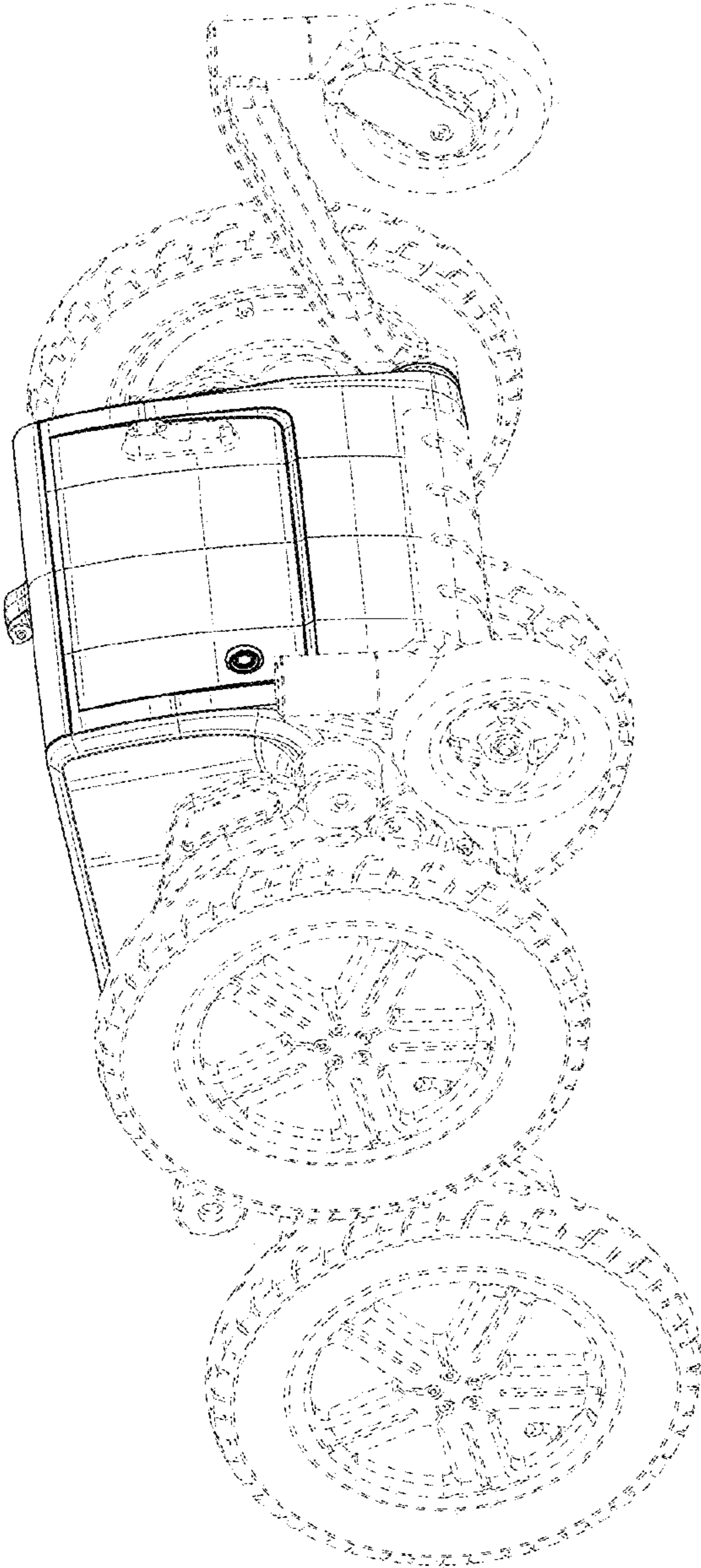


FIG. 1

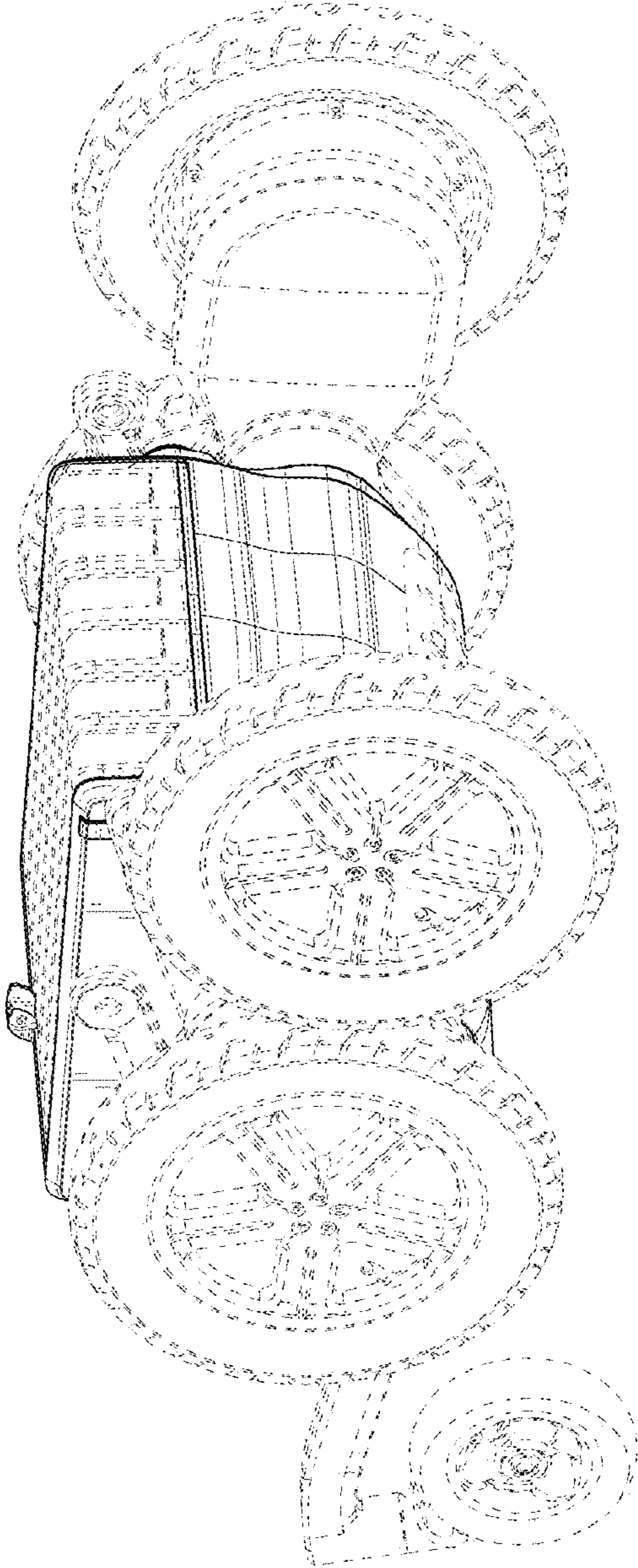


FIG. 2

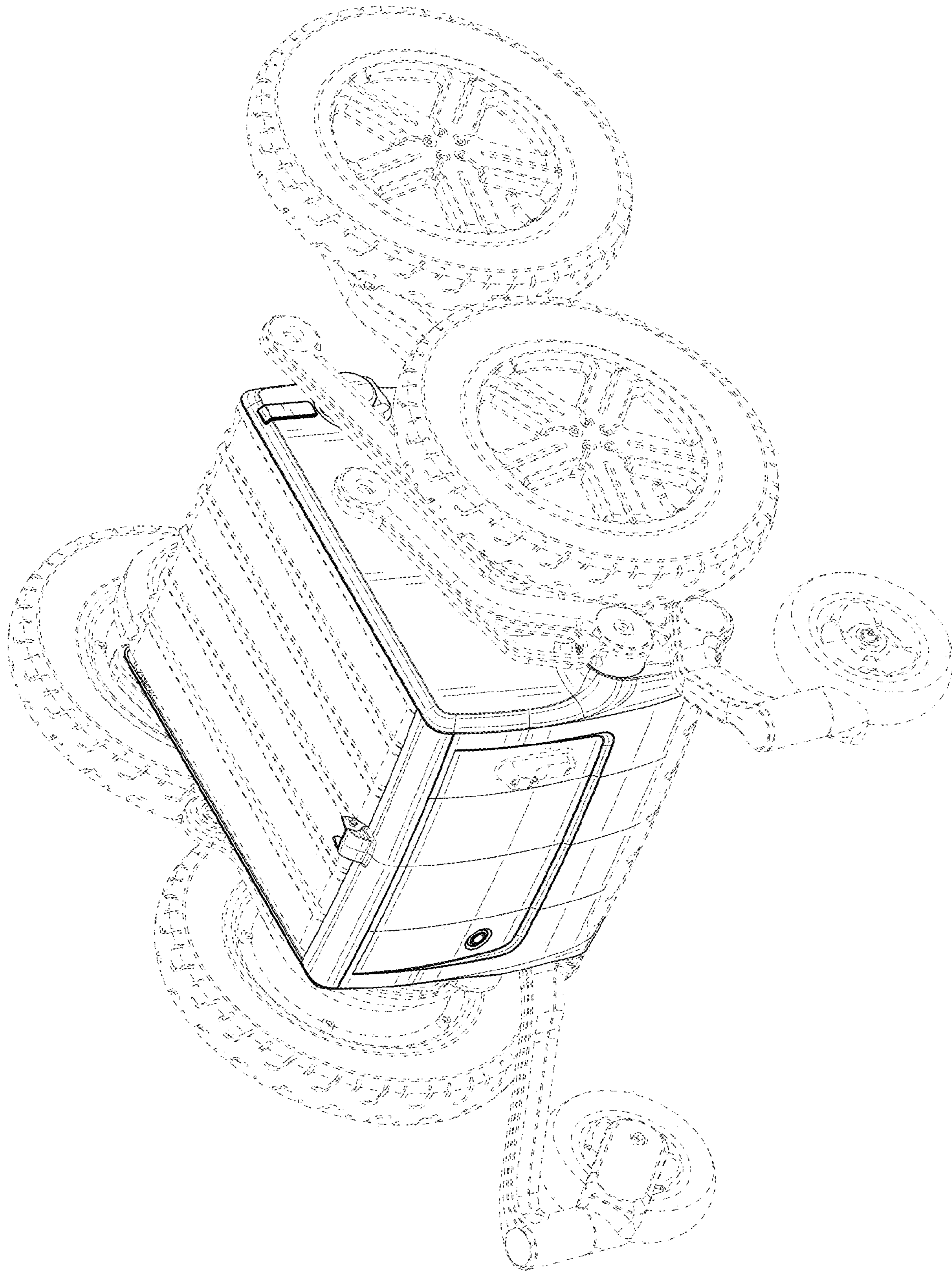


FIG. 3

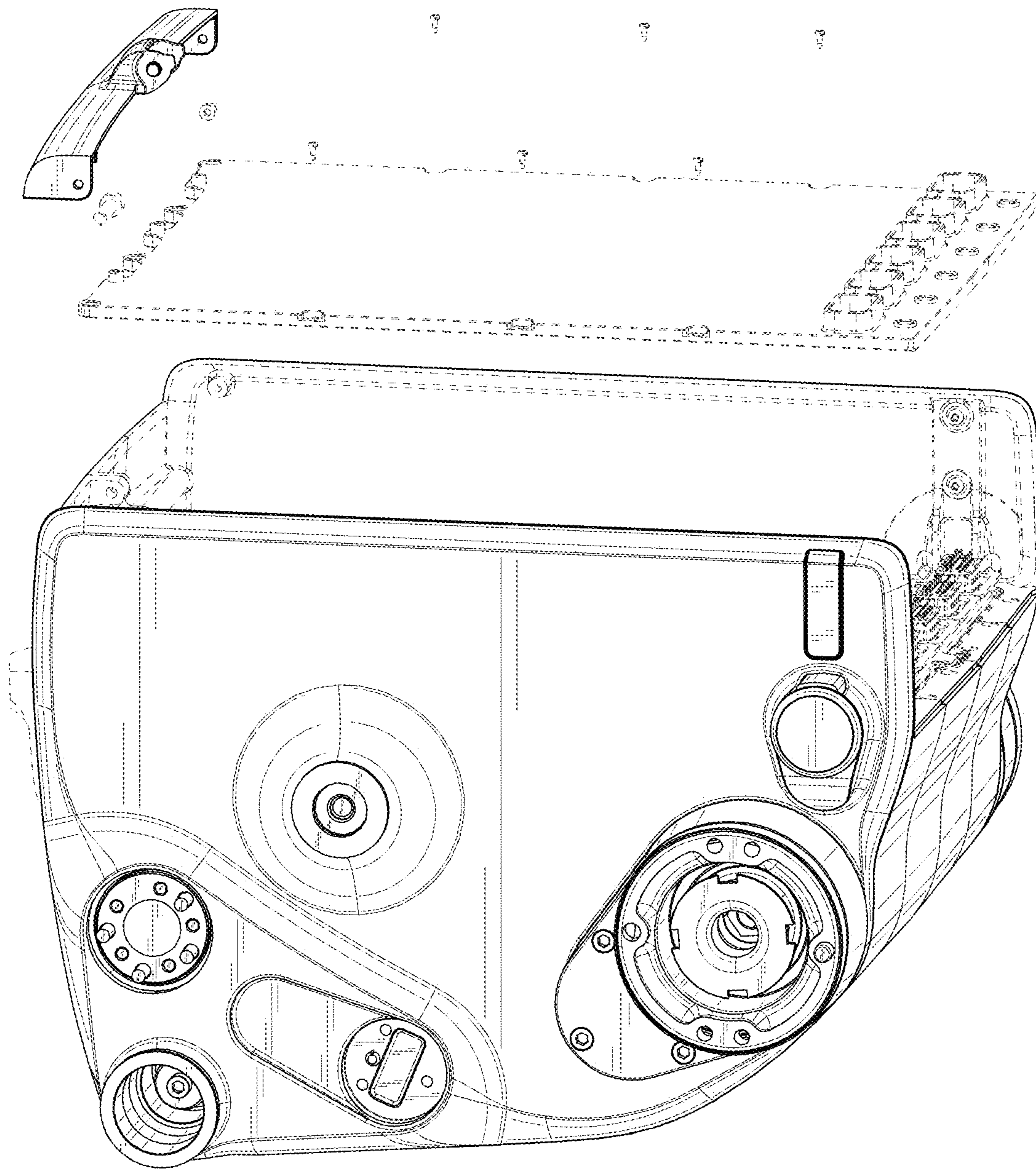


FIG. 4

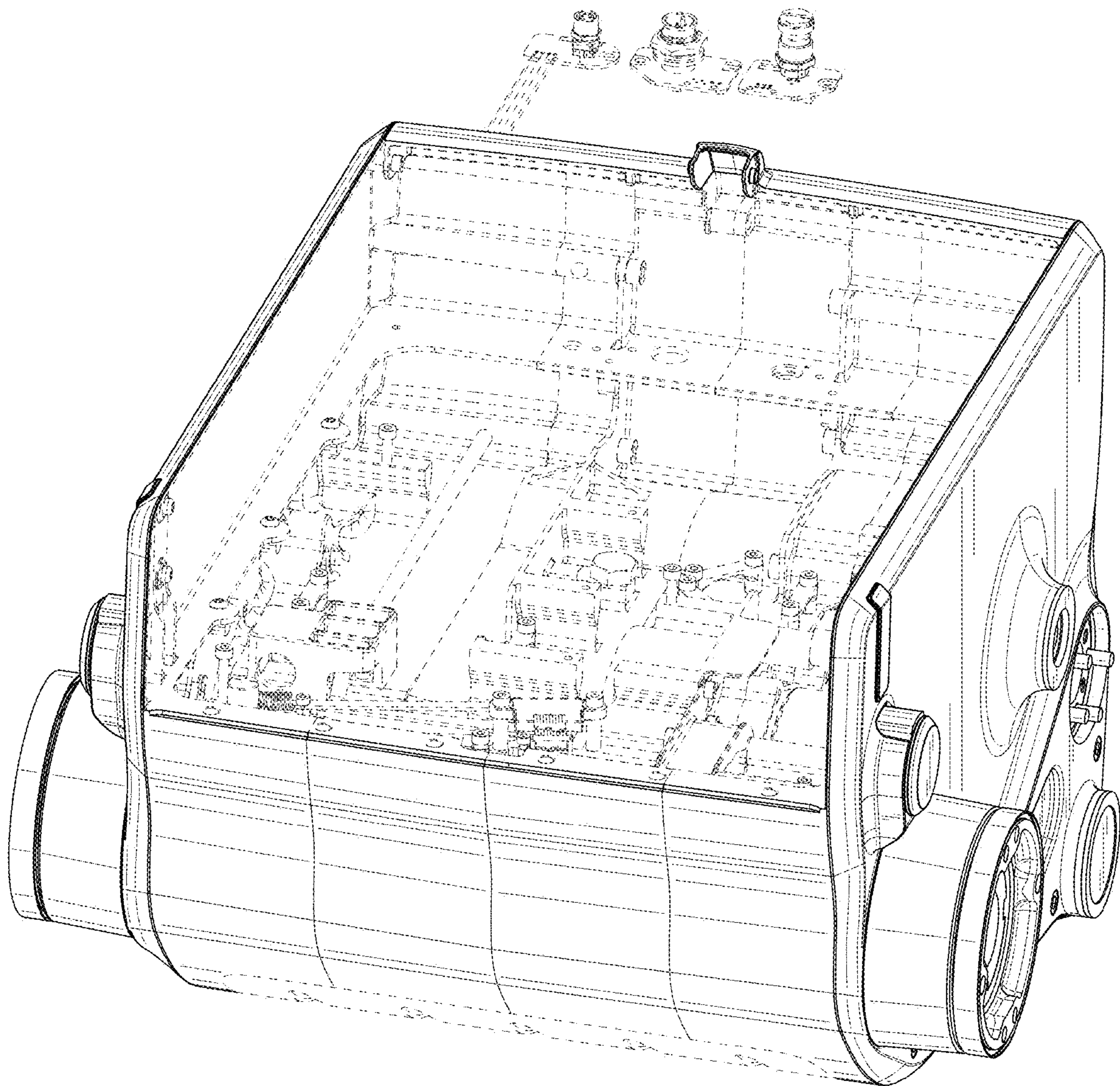


FIG. 5