



US00D926129S

(12) **United States Design Patent**  
**Huang**

(10) **Patent No.:** **US D926,129 S**

(45) **Date of Patent:** **\*\* Jul. 27, 2021**

(54) **ADAPTER**

3/023; G06F 3/038; G06F 3/0626; G06F  
3/0658; G06F 9/4413

(71) Applicant: **Yongping Huang**, Guangdong (CN)

See application file for complete search history.

(72) Inventor: **Yongping Huang**, Guangdong (CN)

(56) **References Cited**

(73) Assignee: **Shenzhen Lepower Electronic Co., Ltd.**, Shenzhen (CN)

U.S. PATENT DOCUMENTS

(\*\*) Term: **15 Years**

D658,123	S	*	4/2012	Andre	.....	D13/110
D666,968	S	*	9/2012	Huang	.....	D13/110
D711,824	S	*	8/2014	Matsuoka	.....	D13/110
D740,749	S	*	10/2015	Stewart	.....	D13/108
D796,432	S	*	9/2017	Liu	.....	D13/107
D883,198	S	*	5/2020	Zhang	.....	D13/107

(21) Appl. No.: **29/739,684**

\* cited by examiner

(22) Filed: **Jun. 29, 2020**

(51) **LOC (13) Cl.** ..... **13-02**

*Primary Examiner* — Derrick E Holland

(52) **U.S. Cl.**

USPC ..... **D13/110**

(57) **CLAIM**

(58) **Field of Classification Search**

USPC ... D13/110, 103, 107, 108, 118, 123, 137.1,  
D13/137.4, 138.1, 147, 162, 168, 169,  
D13/174, 177, 184, 199; D14/240, 242,  
D14/257, 356, 357, 432, 433, 438, 480.1,  
D14/480.3

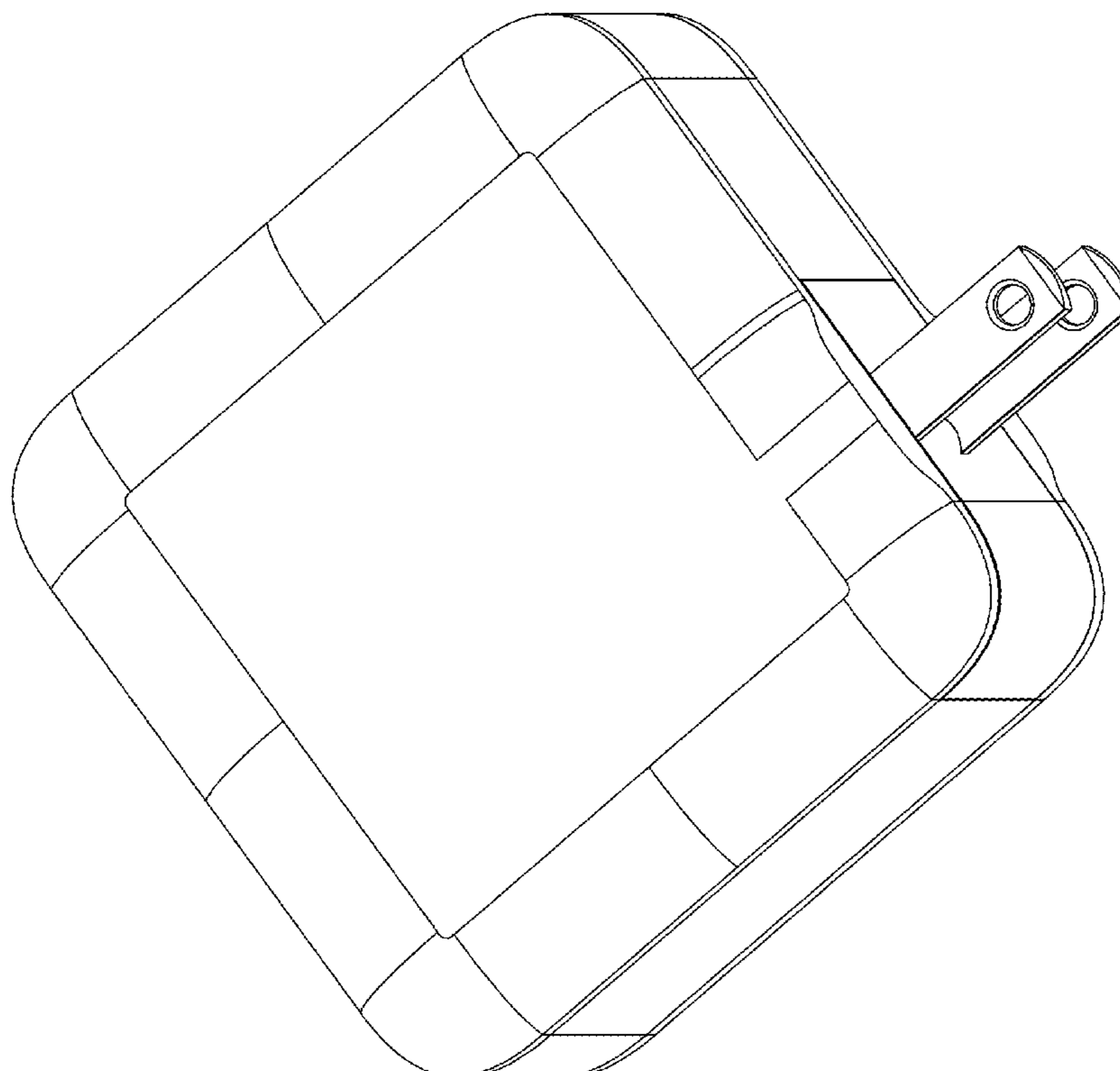
The ornamental design for an adapter, as shown and described.

CPC ..... H05K 5/00; H05K 5/02; H05K 5/0247;  
H05K 7/00; H05K 7/20; H05K 7/20136;  
H05K 7/20154; H05K 7/209; H02M 7/00;  
H02M 7/003; H02M 2001/009; H02J  
7/0042; H02J 7/0055; H02J 2207/40;  
Y10T 307/367; Y02E 60/12; Y02E 60/50;  
H01M 2/02; H01M 2/025; H01M 2/0207;  
H01M 2/0212; H01M 10/44; H01R  
13/60; H01R 13/72; H01R 13/6658;  
H01R 25/003; H01R 25/006; G06F

**DESCRIPTION**

FIG. 1 is a perspective view of an adapter showing my new design;  
FIG. 2 is another perspective view thereof;  
FIG. 3 is a front elevation view thereof;  
FIG. 4 is a rear elevation view thereof;  
FIG. 5 is a left side elevational view thereof;  
FIG. 6 is a right side elevational view thereof;  
FIG. 7 is a top plan view thereof; and,  
FIG. 8 is a bottom plan view thereof.

**1 Claim, 6 Drawing Sheets**



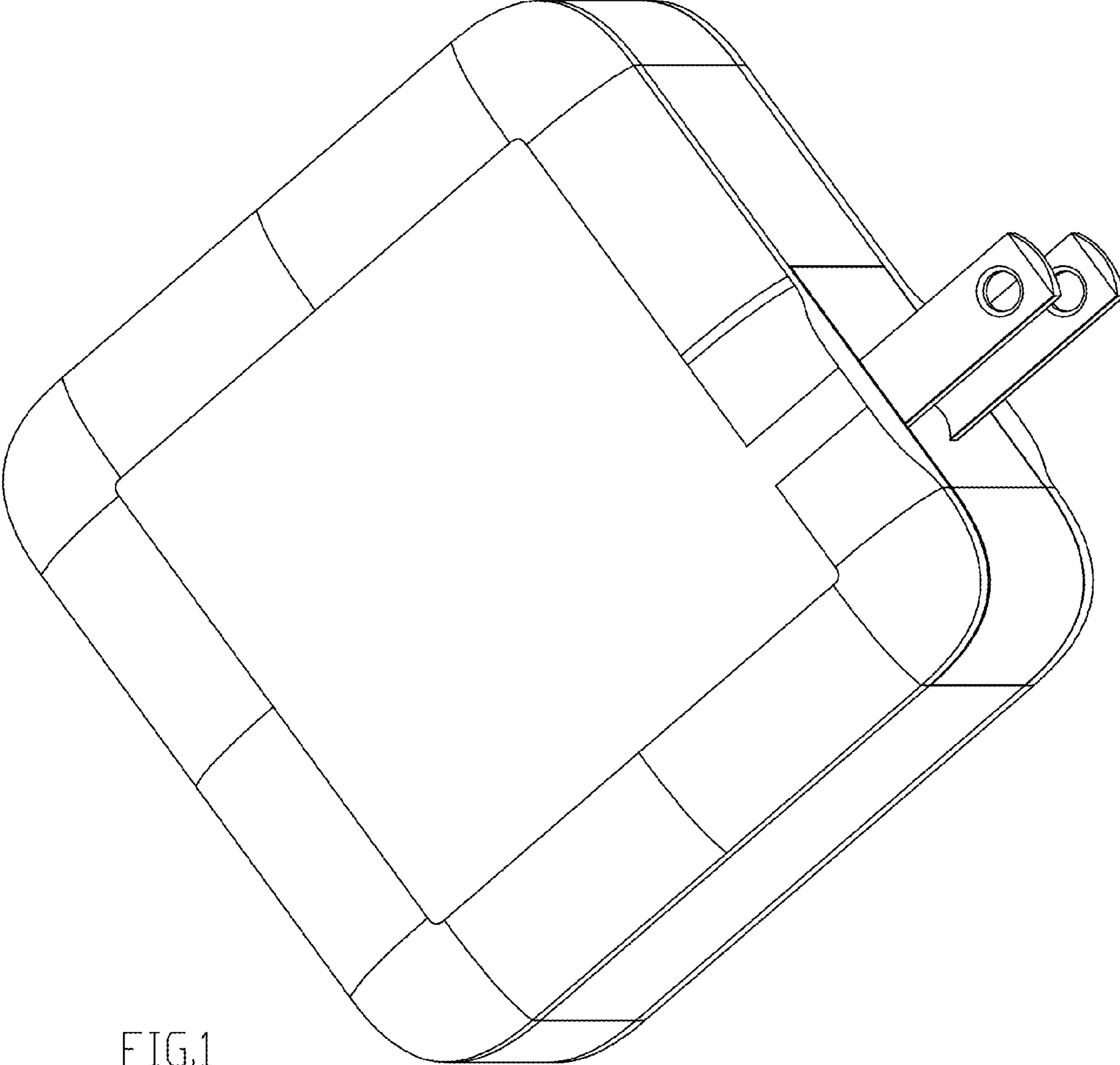


FIG.1

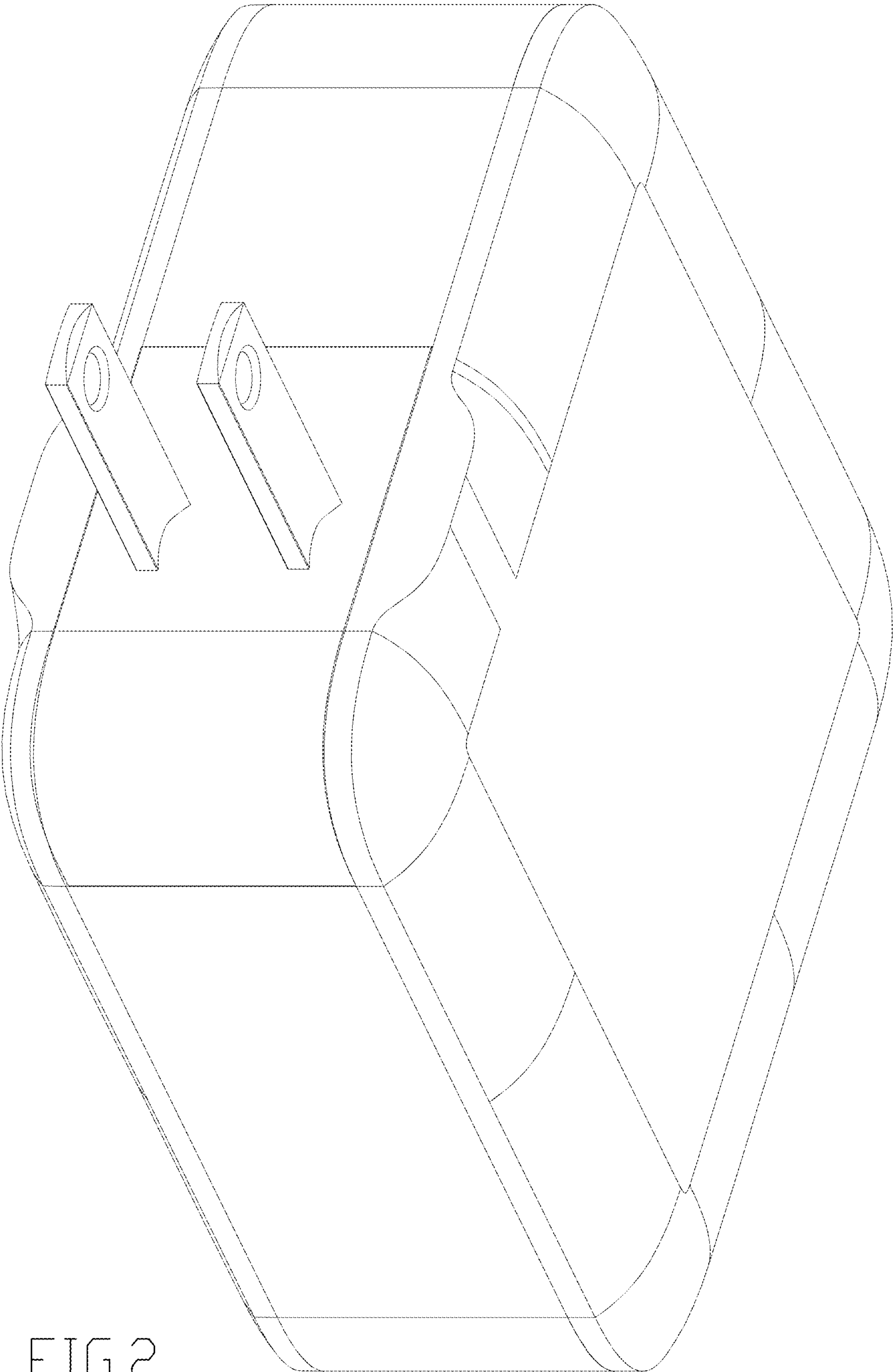


FIG. 2

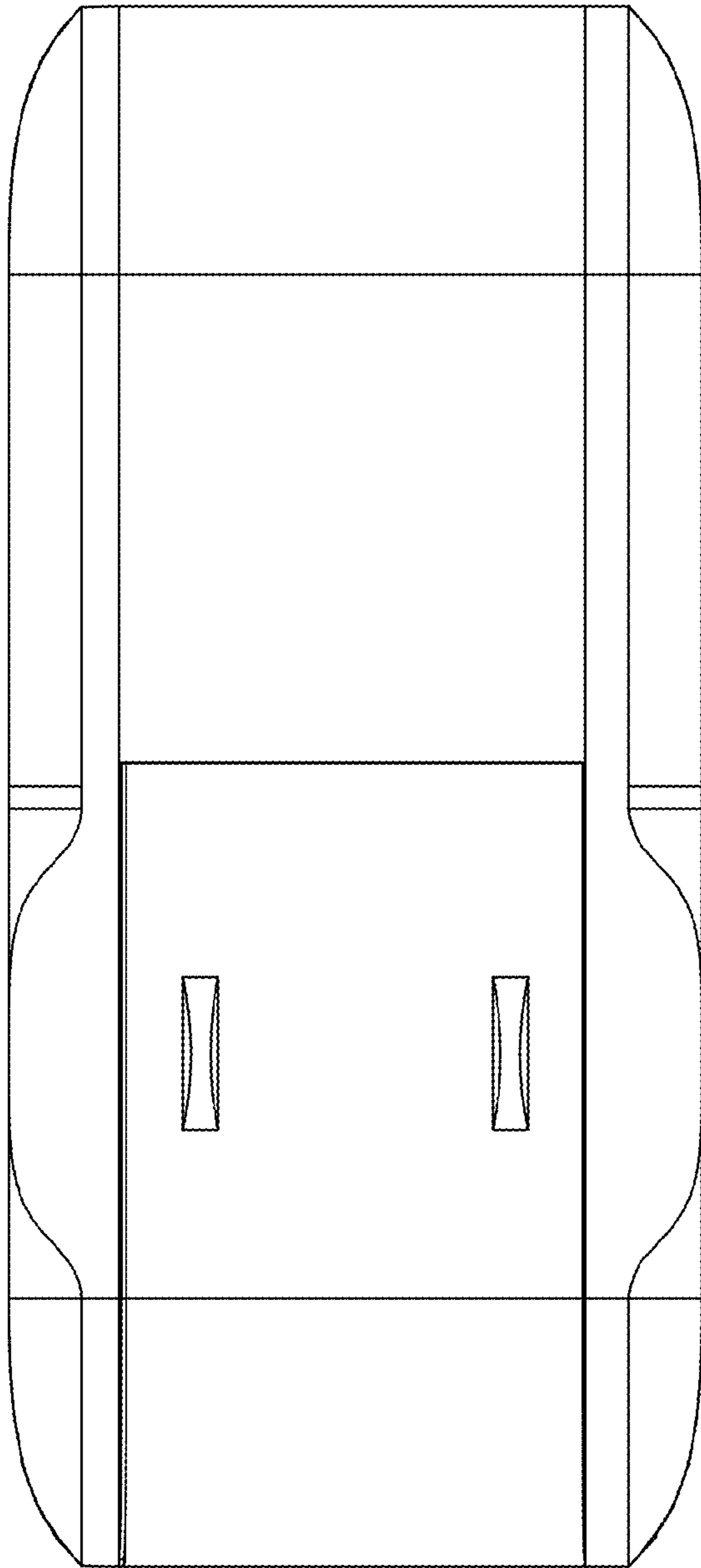


FIG.3

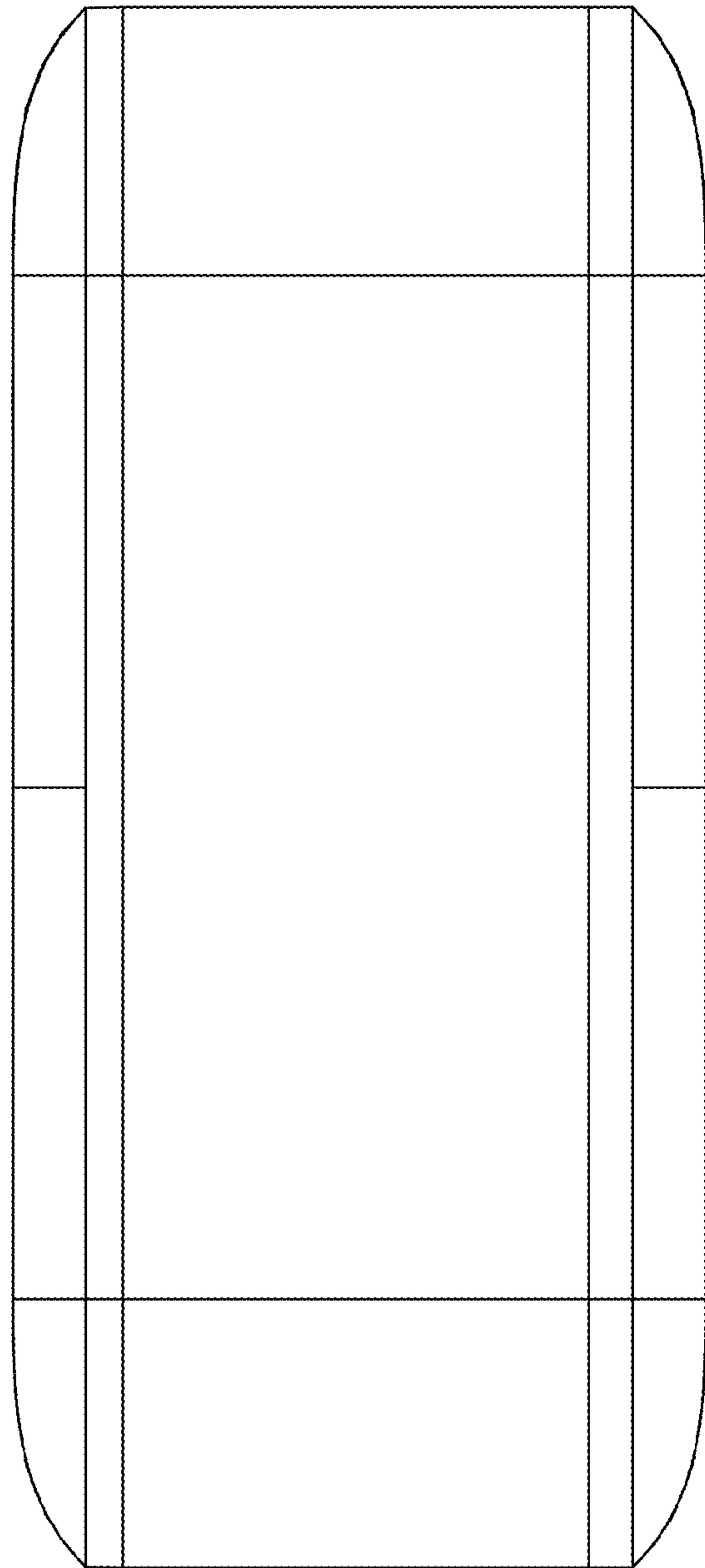


FIG.4

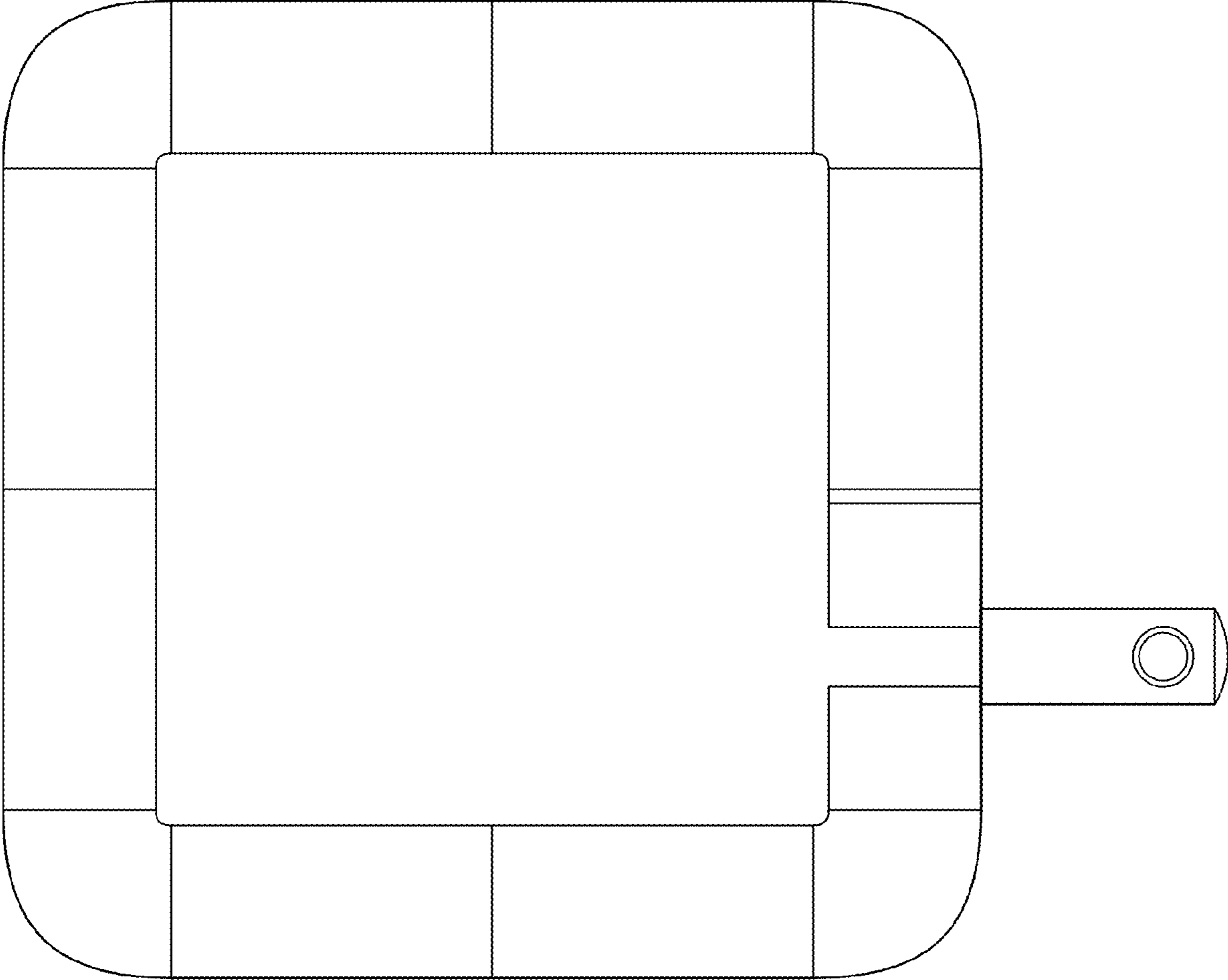


FIG.5

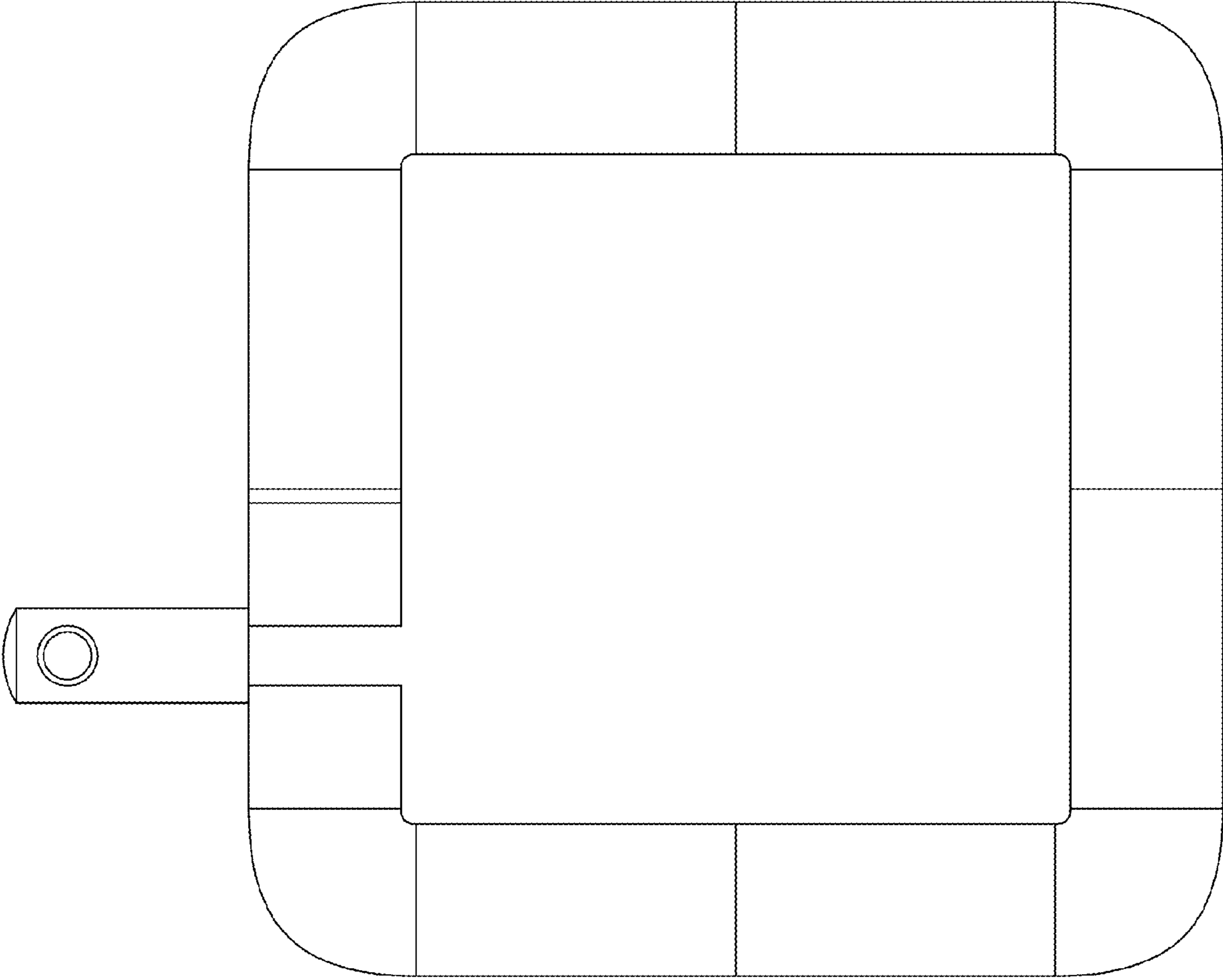


FIG.6

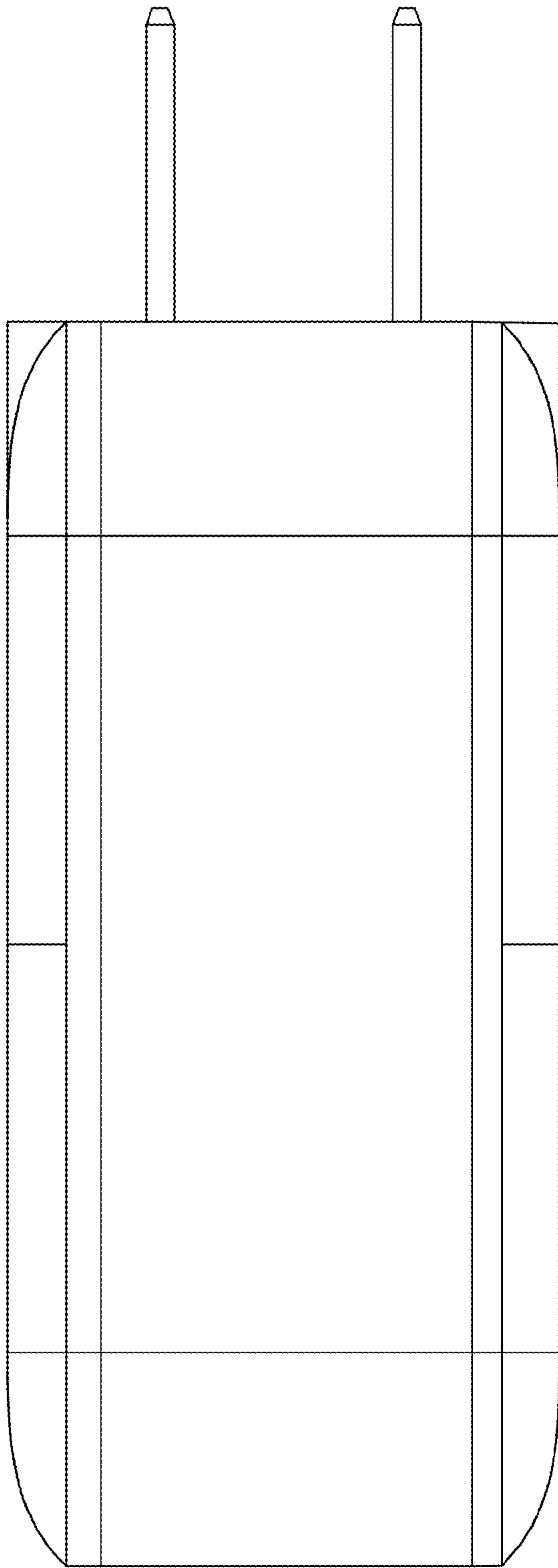


FIG. 7

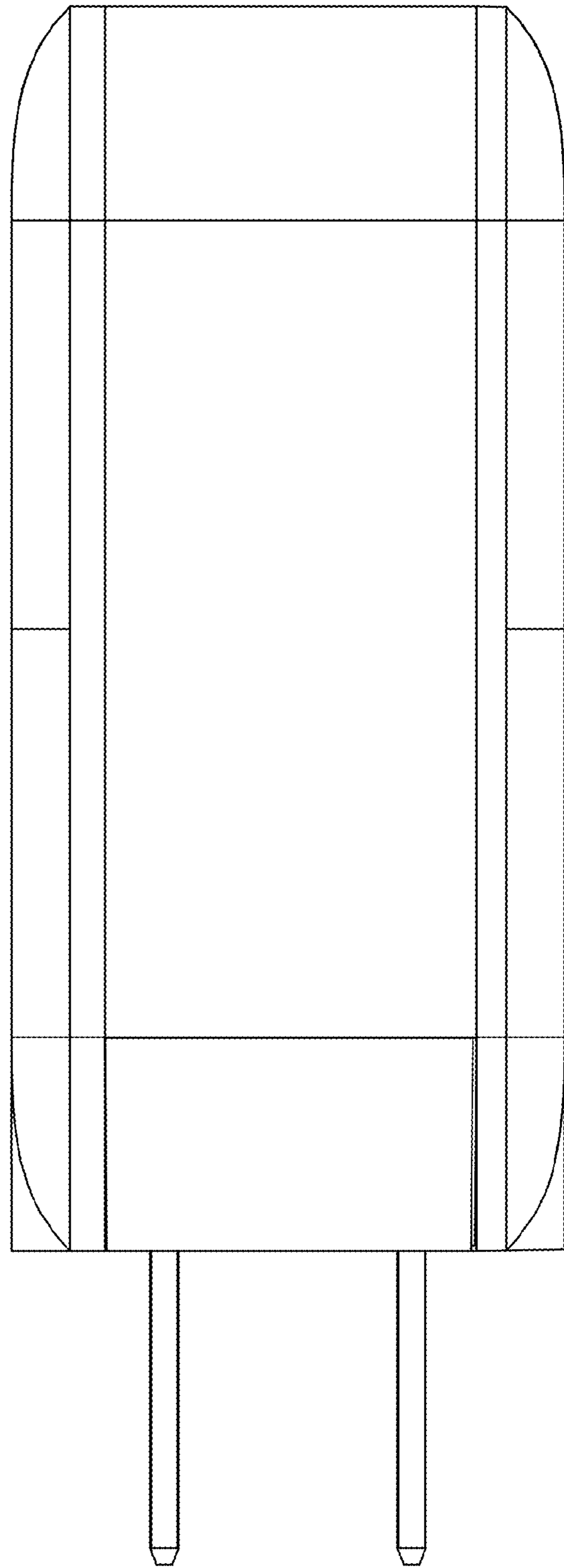


FIG. 8