



US00D926128S

(12) **United States Design Patent** (10) **Patent No.:** **US D926,128 S**
Perkins et al. (45) **Date of Patent:** **** Jul. 27, 2021**

(54) **CHARGER**

(71) Applicant: **Welch Allyn, Inc.**, Skaneateles Falls, NY (US)
(72) Inventors: **David G. Perkins**, Tully, NY (US); **Sean R. Karla**, Camillus, NY (US); **Timothy R. Fitch**, Syracuse, NY (US); **David M. Villarreal**, Fayetteville, NY (US); **Michael Suits**, Camillus, NY (US); **Timothy Braun**, Auburn, NY (US); **Robert S. Englert**, Batesville, IN (US)
(73) Assignee: **WELCH ALLYN, INC.**, Skaneateles Falls, NY (US)

(**) Term: **15 Years**

(21) Appl. No.: **29/729,228**

(22) Filed: **Mar. 25, 2020**

(51) **LOC (13) Cl.** **13-02**

(52) **U.S. Cl.**
USPC **D13/108**

(58) **Field of Classification Search**
USPC D13/103, 107-110, 118-119, 184, 199;
D14/251, 253, 432, 434

(Continued)

(56) **References Cited**

U.S. PATENT DOCUMENTS

D193,664 S * 9/1962 Armbruster D13/108
D401,552 S * 11/1998 Tanaka D13/107

(Continued)

FOREIGN PATENT DOCUMENTS

CN 203898254 U 10/2014
CN 209153606 U 7/2019
WO WO 2016/131055 A1 8/2016

OTHER PUBLICATIONS

Design U.S. Appl. No. 29/693,835, filed Jun. 5, 2019.

(Continued)

Primary Examiner — Rosemary K Tarcza

(74) *Attorney, Agent, or Firm* — Alston & Bird LLP

(57) **CLAIM**

We claim the ornamental design for a charger, as shown and described.

DESCRIPTION

FIG. 1 is a perspective view of a charger showing our new design;

FIG. 2 is a front elevation view thereof;

FIG. 3 is a rear elevation view thereof;

FIG. 4 is a right side elevation view thereof;

FIG. 5 is a left side elevation view thereof;

FIG. 6 is a top plan view thereof;

FIG. 7 is a bottom plan view thereof;

FIG. 8 is a left side elevation cross-section view thereof taken along line 8-8 in FIG. 6; and

FIG. 9 is a front elevation cross-section view thereof taken along line 9-9 in FIG. 6.

FIG. 10 is a perspective view of another embodiment of a charger showing our new design;

FIG. 11 is a front elevation view thereof;

FIG. 12 is a rear elevation view thereof;

FIG. 13 is a right side elevation view thereof;

FIG. 14 is a left side elevation view thereof;

FIG. 15 is a top plan view thereof;

FIG. 16 is a bottom plan view thereof;

FIG. 17 is a left side elevation cross-section view thereof taken along line 17-17 in FIG. 15; and

FIG. 18 is a front elevation cross-section view thereof taken along line 18-18 in FIG. 15.

FIG. 19 is a perspective view of yet another embodiment of a charger showing our new design;

FIG. 20 is a front elevation view thereof;

FIG. 21 is a rear elevation view thereof;

FIG. 22 is a right side elevation view thereof;

FIG. 23 is a left side elevation view thereof;

FIG. 24 is a top plan view thereof;

FIG. 25 is a bottom plan view thereof;

FIG. 26 is a left side elevation cross-section view thereof taken along line 26-26 in FIG. 24; and

(Continued)

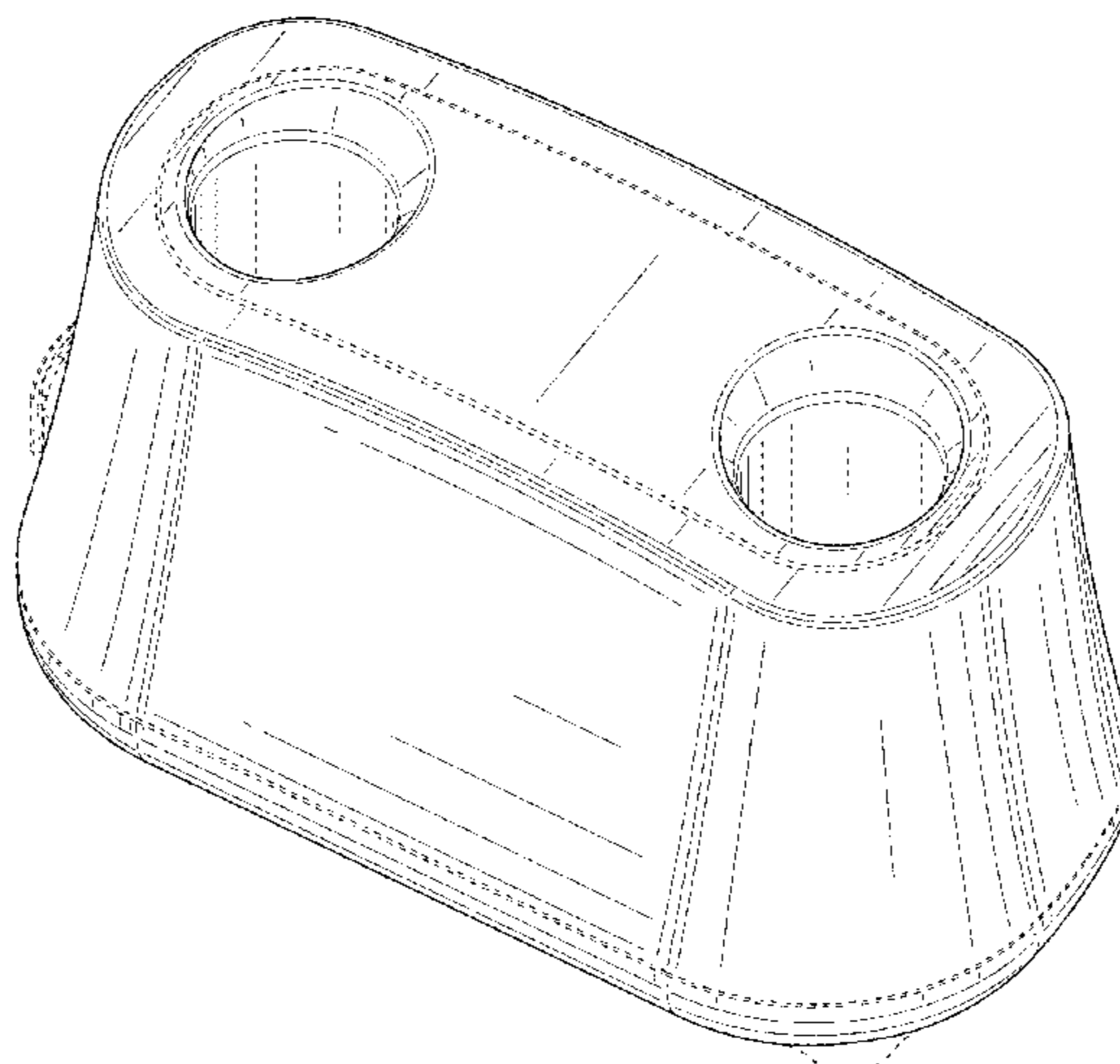


FIG. 27 is a front elevation cross-section view thereof taken along line 27-27 in FIG. 24.

FIG. 28 is a perspective view of yet another embodiment of a charger showing our new design;

FIG. 29 is a front elevation view thereof;

FIG. 30 is a rear elevation view thereof;

FIG. 31 is a right side elevation view thereof;

FIG. 32 is a left side elevation view thereof;

FIG. 33 is a top plan view thereof;

FIG. 34 is a bottom plan view thereof;

FIG. 35 is a left side elevation cross-section view thereof taken along line 35-35 in FIG. 33; and

FIG. 36 is a front elevation cross-section view thereof taken along line 36-36 in FIG. 33.

FIG. 37 is a perspective view of yet another embodiment of a charger showing our new design;

FIG. 38 is a front elevation view thereof;

FIG. 39 is a rear elevation view thereof;

FIG. 40 is a right side elevation view thereof;

FIG. 41 is a left side elevation view thereof;

FIG. 42 is a top plan view thereof;

FIG. 43 is a bottom plan view thereof;

FIG. 44 is a left side elevation cross-section view thereof taken along line 44-44 in FIG. 42; and,

FIG. 45 is a front elevation cross-section view thereof taken along line 45-45 in FIG. 42.

The dash-dot-dash broken lines adjacent shaded areas represent the bounds of the claimed design, and form no part thereof. All other broken lines illustrate portions of the charger that form no part of the claimed design.

1 Claim, 25 Drawing Sheets

(58) **Field of Classification Search**

CPC .. H02J 50/00; H02J 50/10; H02J 50/12; H02J 50/80; H02J 7/025; H02J 7/005; H02J 7/0026; H02J 7/0042; H02J 7/0044; H02J 7/0045; H02J 7/0013; H02J 7/0003; H02J 50/40; H02J 50/402; H02J 7/007; H02J 7/0027

See application file for complete search history.

(56) **References Cited**

U.S. PATENT DOCUMENTS

D453,731	S *	2/2002	Hauptli	D13/108
6,361,489	B1	3/2002	Tsai	
D508,458	S	8/2005	Solland et al.	
D525,583	S	7/2006	Vu	
D562,762	S	2/2008	Saddlemire et al.	
D608,732	S	1/2010	Hillard	
D653,206	S *	1/2012	Heine	D13/108
D659,093	S	5/2012	Schmid et al.	

8,195,330	B2	6/2012	Coe	
D749,042	S *	2/2016	Gecawicz	D13/107
9,510,755	B2	12/2016	Phillips	
D789,884	S *	6/2017	Bourgeois	D13/107
9,872,723	B2	1/2018	Smith	
10,238,462	B2	3/2019	Hillrom	
D896,748	S *	9/2020	Fonzo	D13/107
2014/0243685	A1	8/2014	Patwardhan et al.	
2016/0287063	A1	10/2016	Ramanujam et al.	
2017/0303857	A1	10/2017	Hillrom	

OTHER PUBLICATIONS

U.S. Appl. No. 29/693,835, filed Jun. 5, 2019, Pending.
 “Universal Charger and Desk Sets” [online] [retrieved Jun. 4, 2019], Retrieved from the Internet: <URL:https://www.welchallyn.com/en/products/categories/physical-exam/physical-exam-sets-and-systems/diagnostic-sets—portable/universal-charger-and-desk-sets.html> (dated Jun. 4, 2019).
 “1717296”, [online] [retrieved Jun. 4, 2019], Retrieved from the Internet: <URL:https://eshop.haagstreituk.com/sites/eshop.haagstreituk.com/files/products/1717296.jpg> (dated Jun. 4, 2019).
 “UDC_71140”, [online] [retrieved Jun. 10, 2019], Retrieved from the Internet: <URL:https://www.welchallyn.com/content/dam/welchallyn/images/Product-Images/Physical-Exam/Physical-Exam-Sets-And-Systems/Diagnostic-Sets-Portable/Universal-Charger-And-Desk-Sets/udc_71140.jpg> (dated Jun. 10, 2019).
 “UDC_COPH-MV-NIH_71641” [online] [retrieved Jun. 4, 2019], Retrieved from Internet: <URL:https://www.welchallyn.com/content/dam/welchallyn/images/Product-Images/Physical-Exam/Physical-Exam-Sets-And-Systems/Diagnostic-Sets-Portable/Universal-Charger-And-Desk-Sets/udc_coph-mv-nih_71641-mjpg> (dated Jun. 4, 2019).
 “1717294”, [online] [retrieved Jun. 4, 2019], Retrieved from the Internet: <URL:https://eshop.haagstreituk.com/sites/eshop.haagstreituk.com/files/products/1717294.jpg> (dated Jun. 4, 2019).
 “WAL00147”, [online] [retrieved Jun. 4, 2019], Retrieved from the internet: <URL:https://cdn-1.au.xmsympohny.com/4d9c396d11102d97ff4226a2e42b15a4/contents/WAL00147/WAL00147.gif> (dated Jun. 4, 2019).
 “Lithium-Handle-Pod Charger-Welch-Allyn” [online] [retrieved Jun. 4, 2019], Retrieved from the Internet: <URL:https://cdn.shopify.com/s/files/1/0857/0520/products/Lithium-Handle-Pod-_-Charger-Welch-Allyn-71909-1_grande.jpg?v=1504670572> (dated Jun. 4, 2019).
 “3.5 V Lithium Ion Rechargeable Handle” [online] [retrieved Jun. 10, 2019], Retrieved from the Internet: <URL:https://www.welchallyn.com/en/products/categories/physical-exam/power-handles/3-5-v-lithium-ion-rechargeable-handle.html>(dated Jun. 10, 2019).
 “71900-USB” [online] [retrieved May 15, 2019], Retrieved from the Internet: <URL:https://www.welchallyn.com/content/dam/welchallyn/images/Product-Images/Physical-Exam/Power-Handles/3-5-v-Lithium-Ion-Rechargeable-Handle/3-5-v-Lithium-Ion-Rechargeable-Handle/71900-USB.jpg> (dated May 15, 2019).
 “\$ _12 ” [online] [retrieved Jun. 4, 2019], Retrieved from the Internet: <URL:https://i.ebayimg.com/00/s/OTc2WDE2MDA=/z/tTgAAOSwHAXcJZiR/\$_12.JPG?set_id=880000500F> (dated Jun. 4, 2019).

* cited by examiner

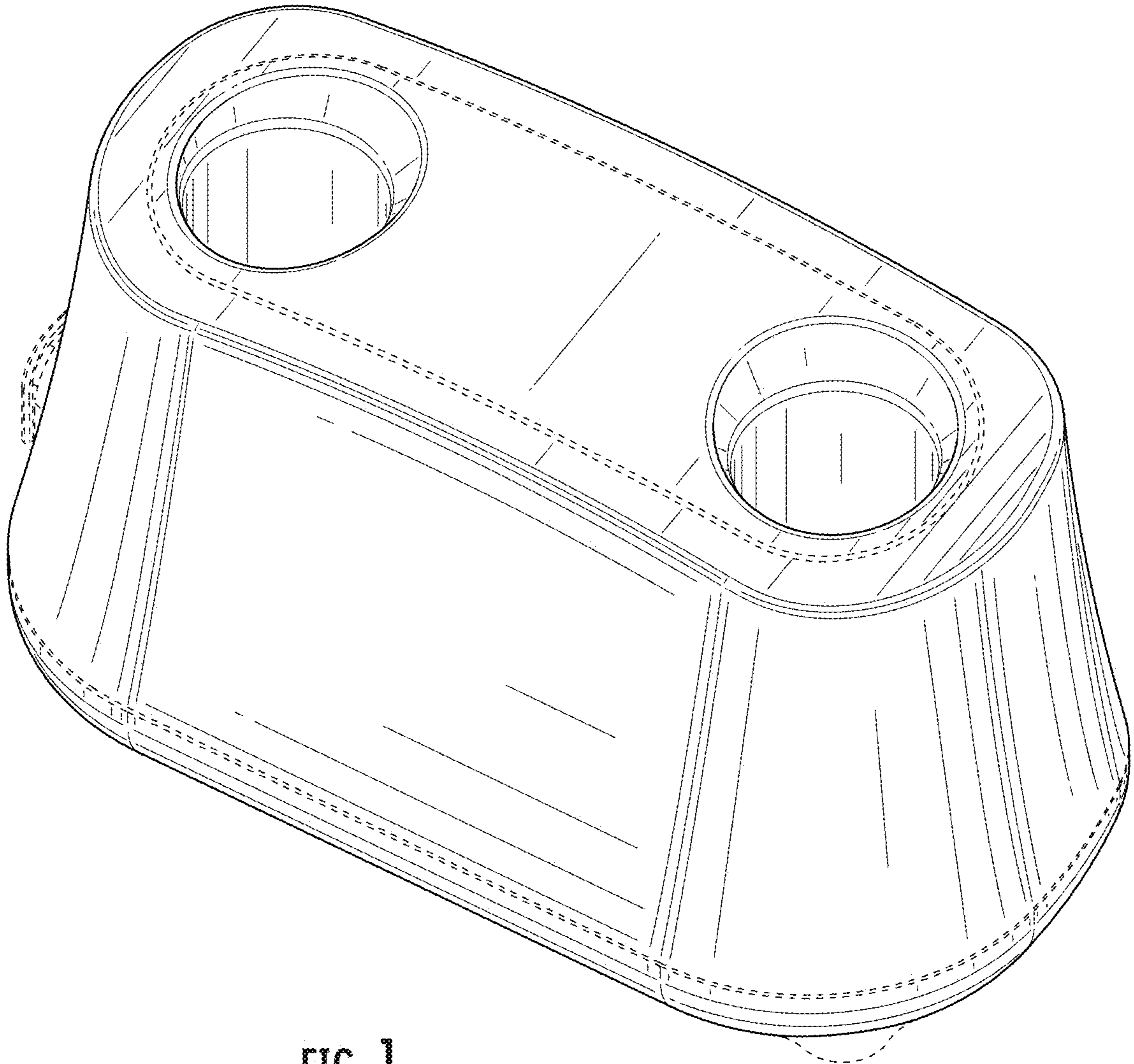


FIG. 1

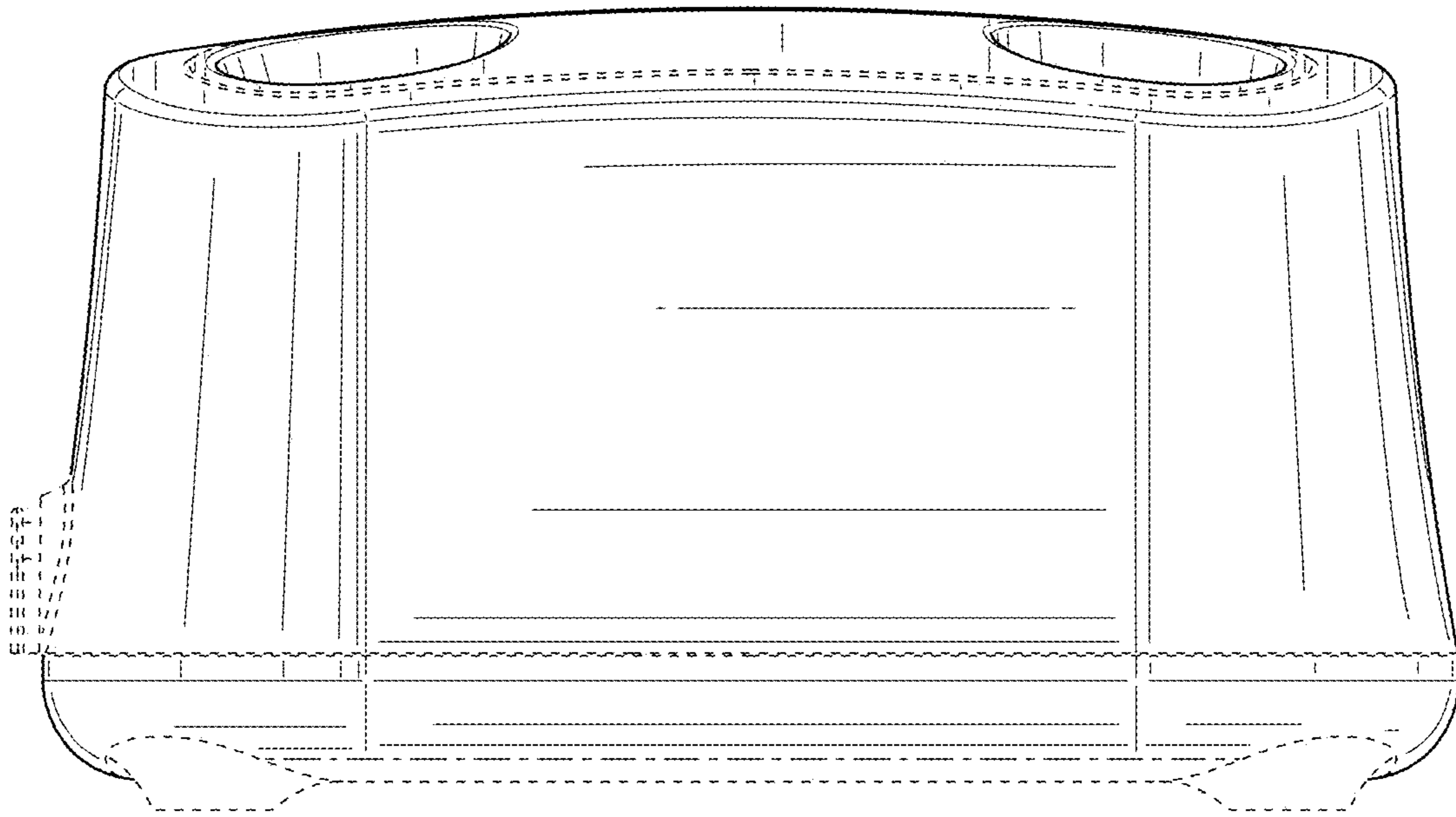


FIG. 2

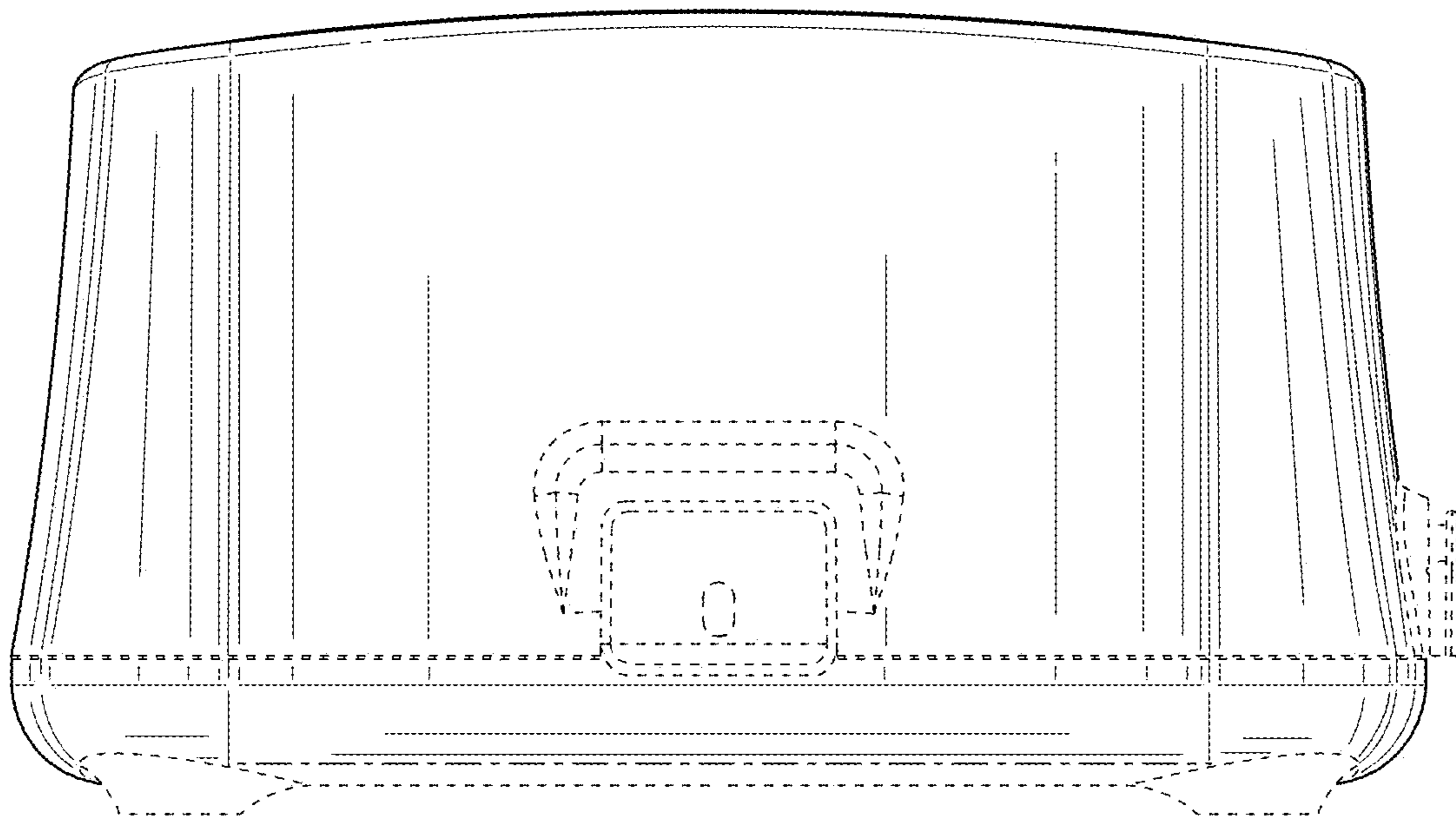


FIG. 3

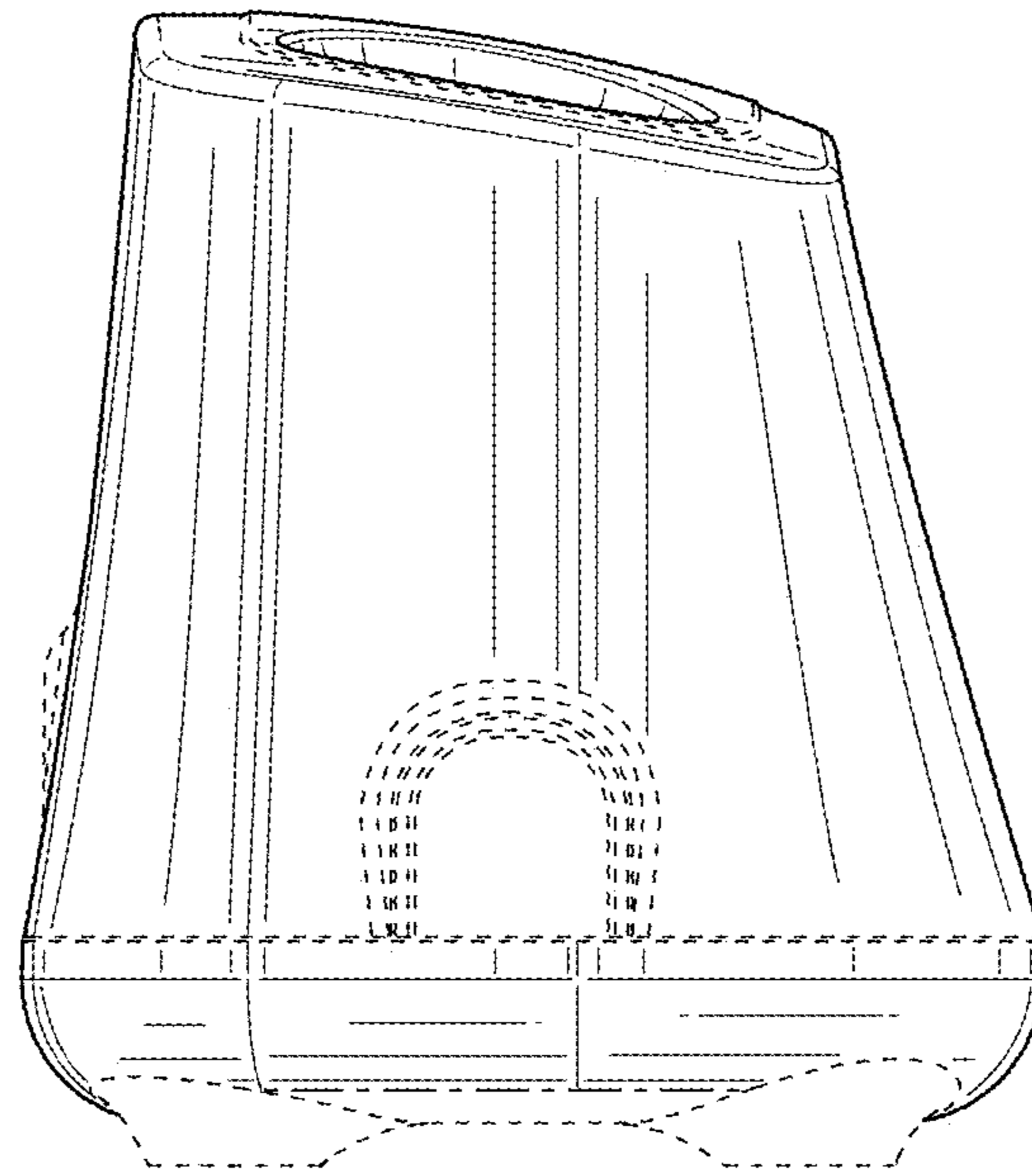


FIG. 4

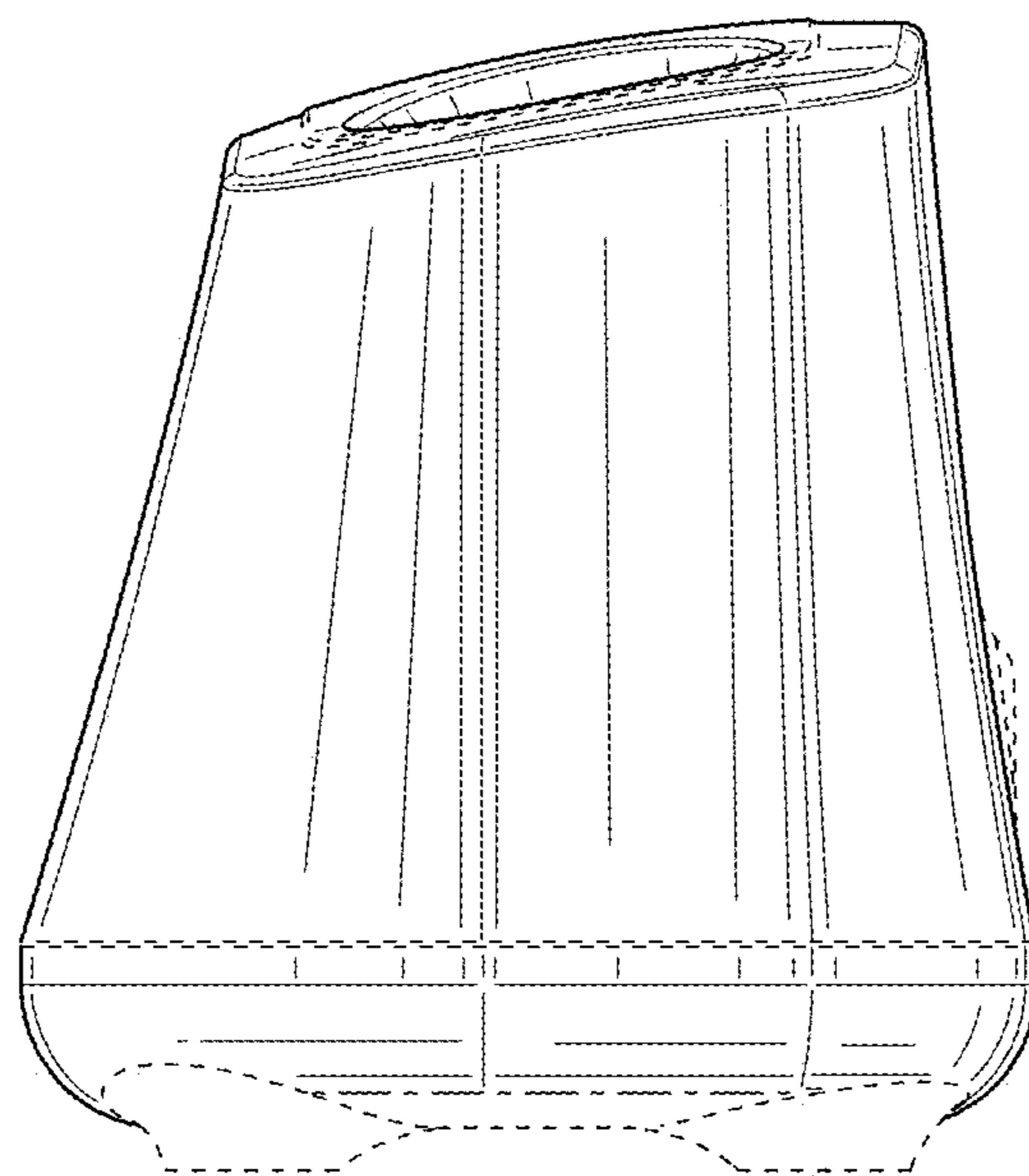


FIG. 5

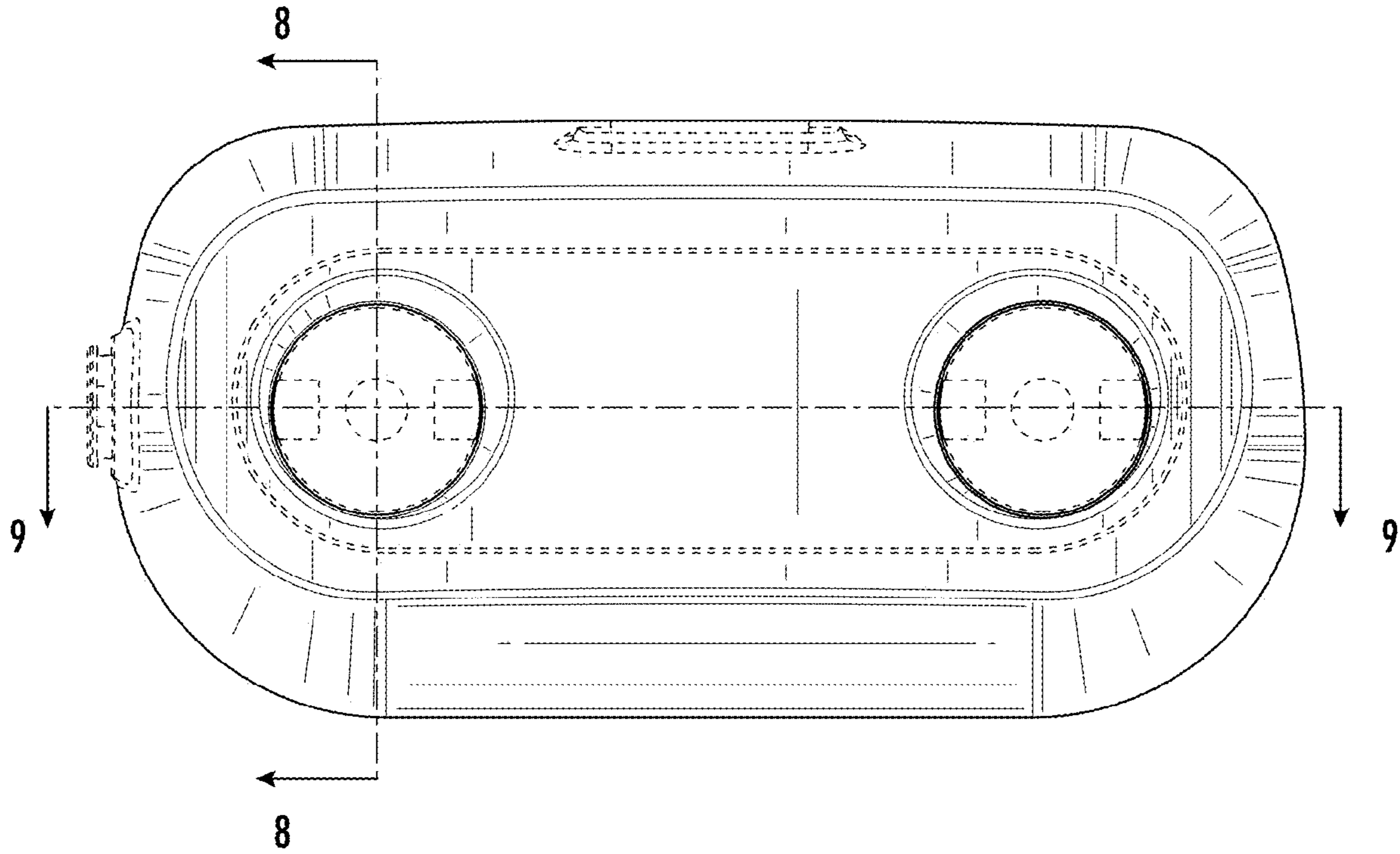


FIG. 6

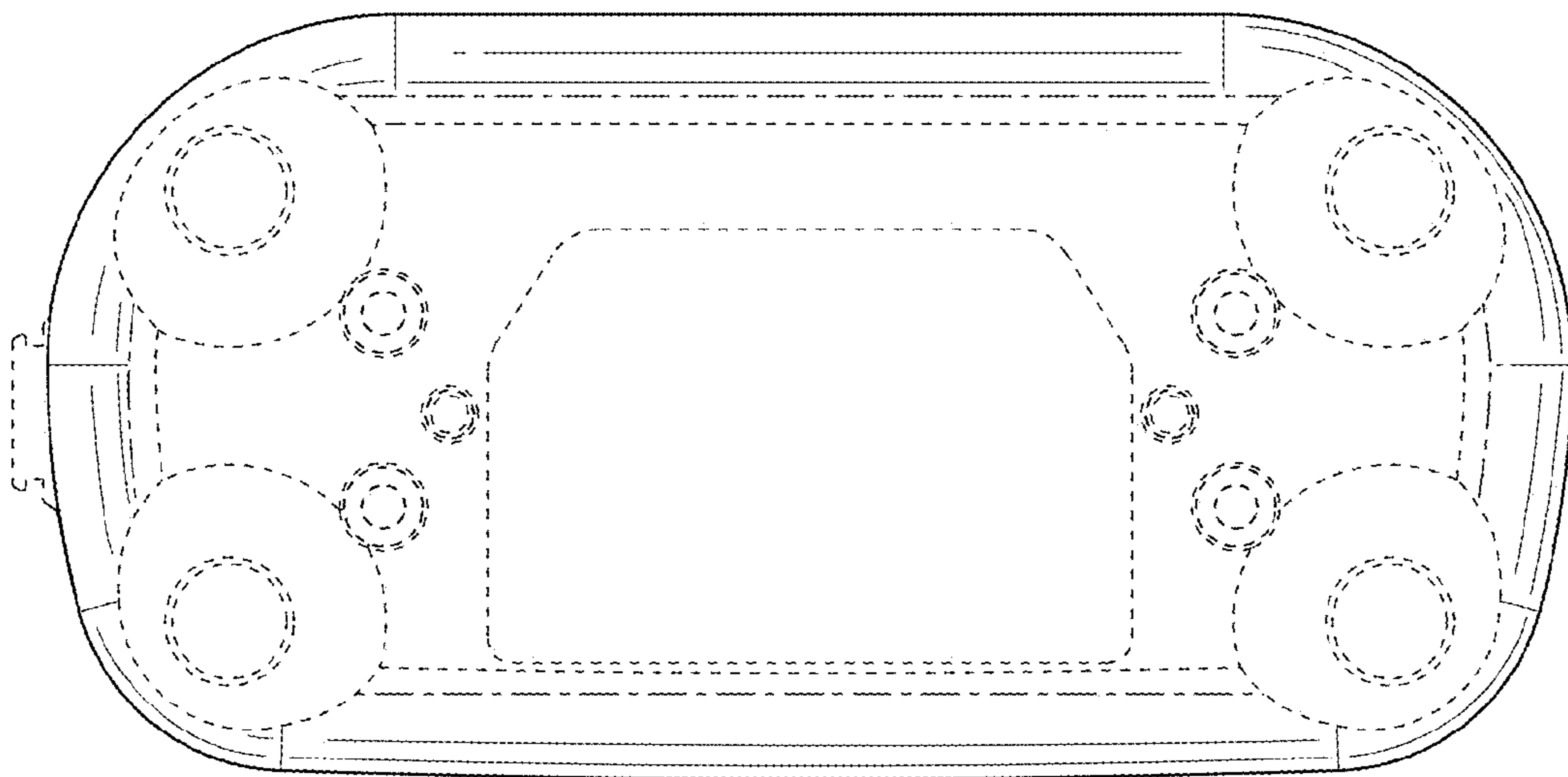


FIG. 7

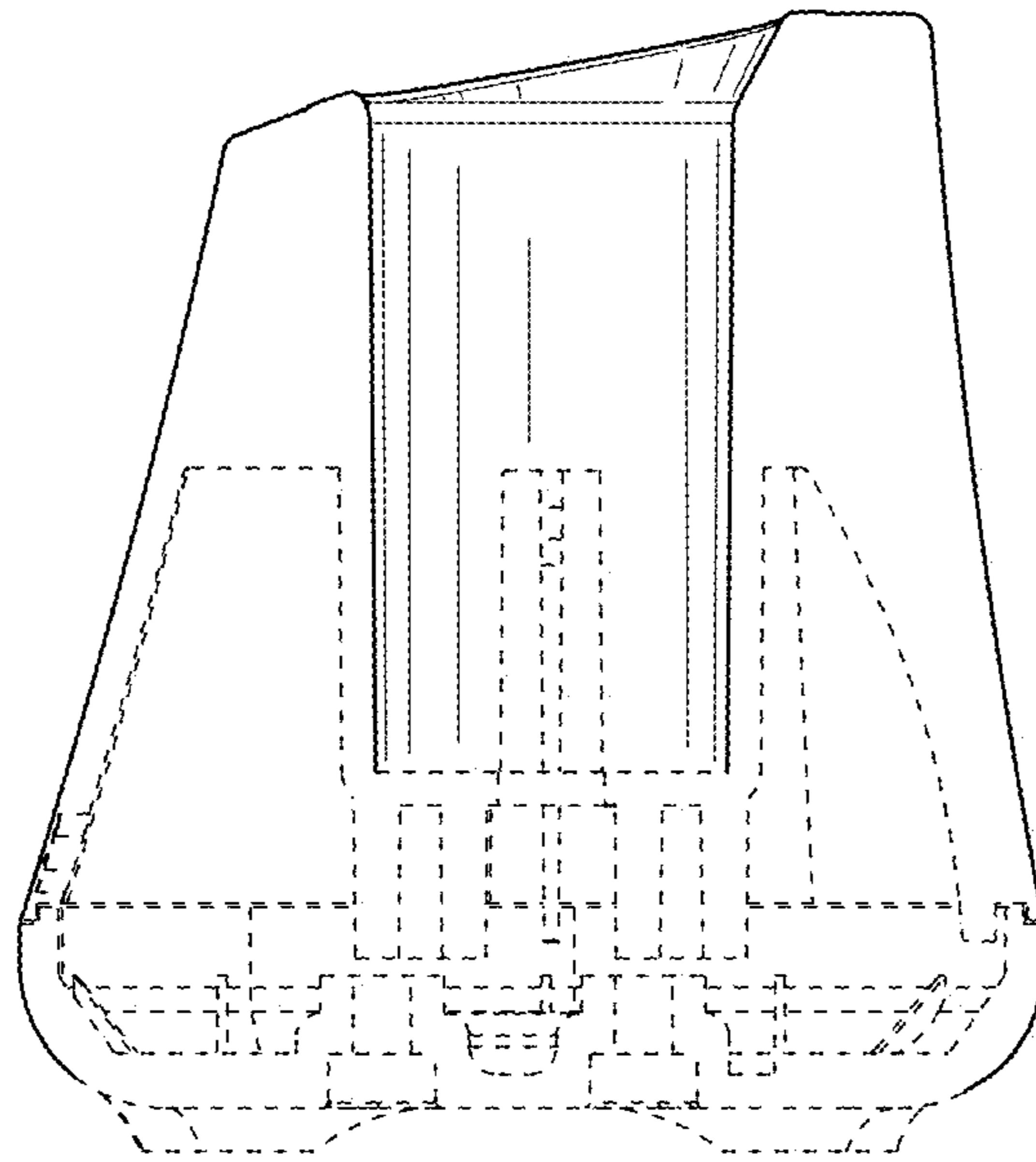


FIG. 8

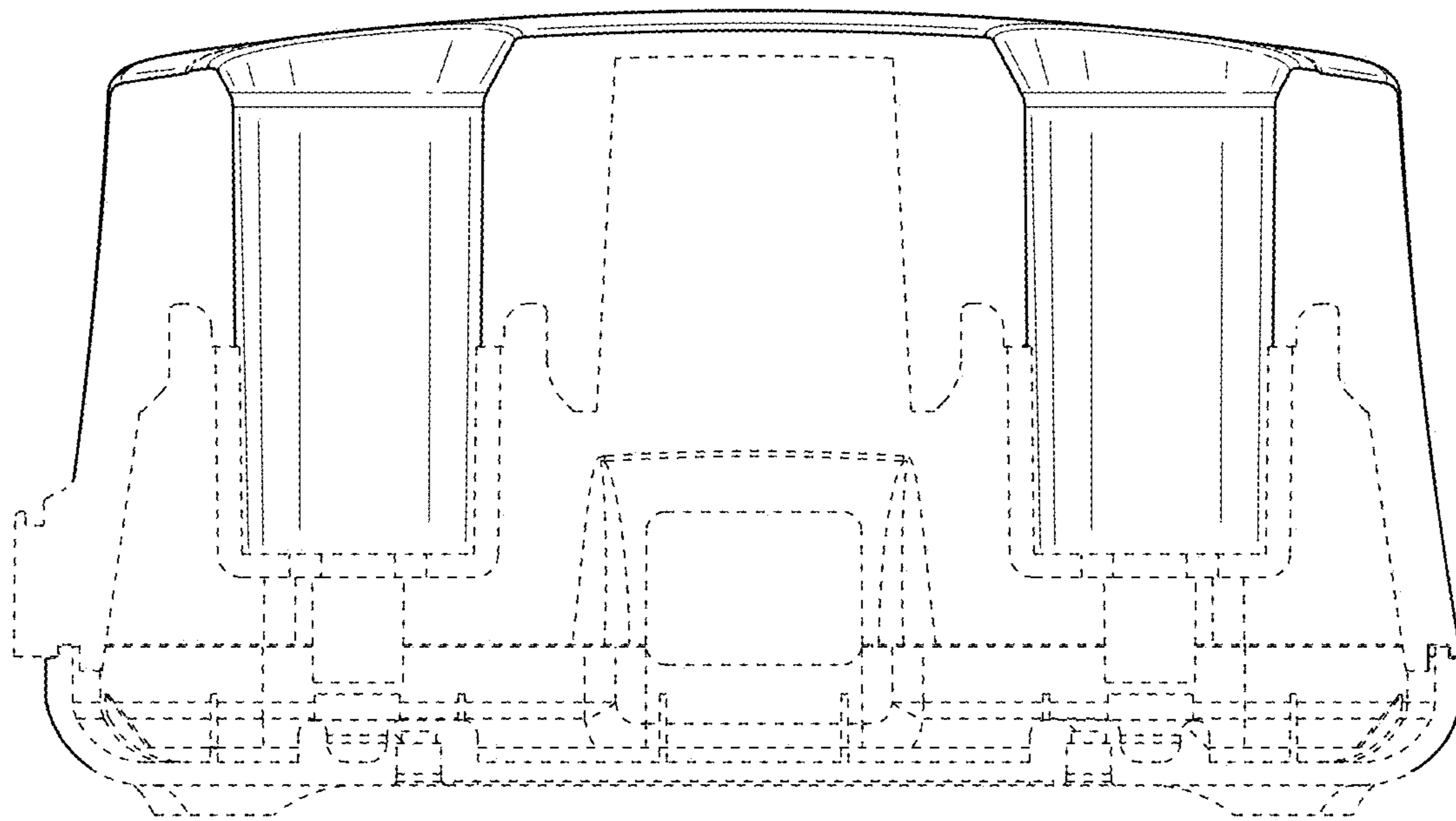


FIG. 9

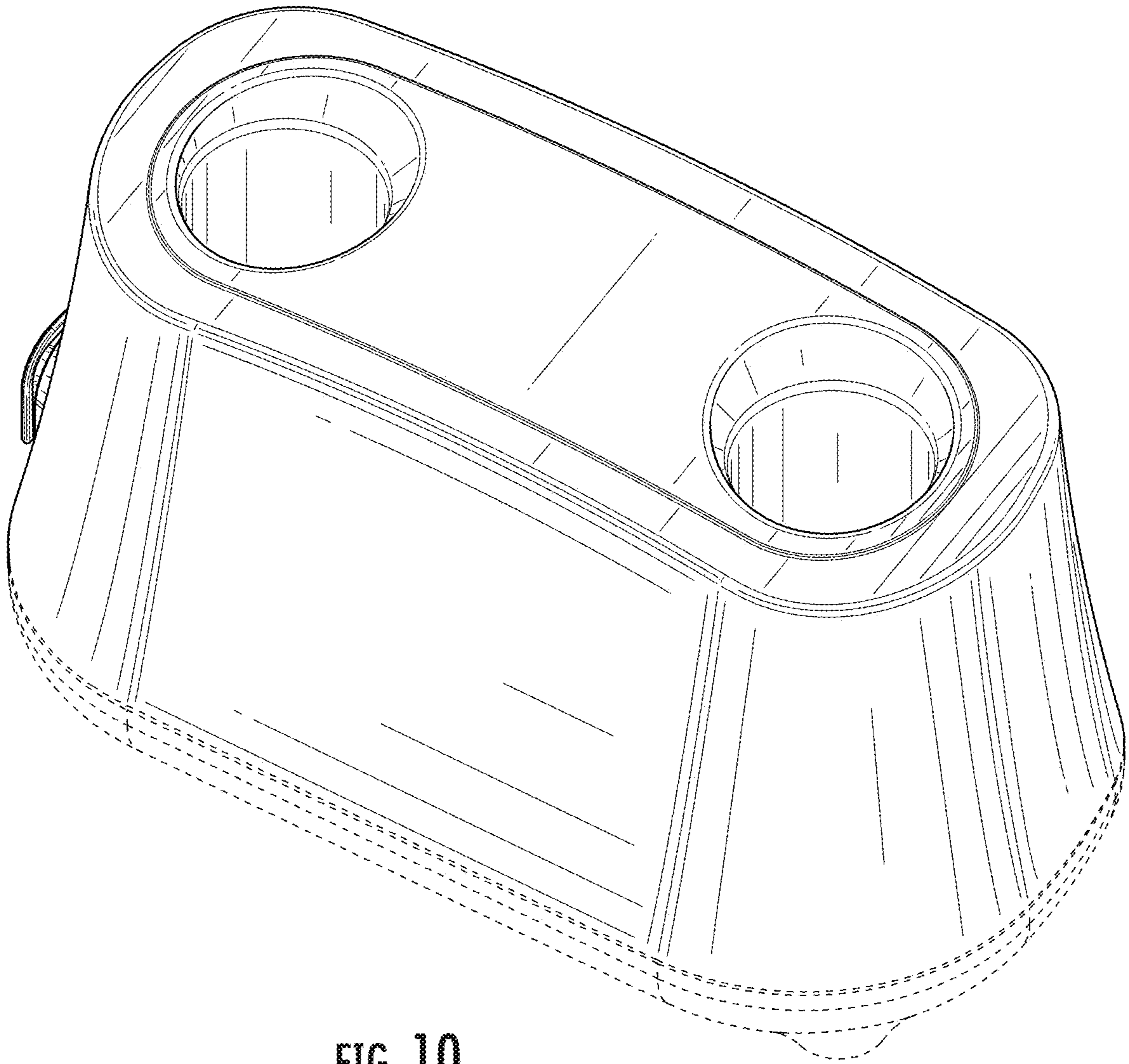


FIG. 10

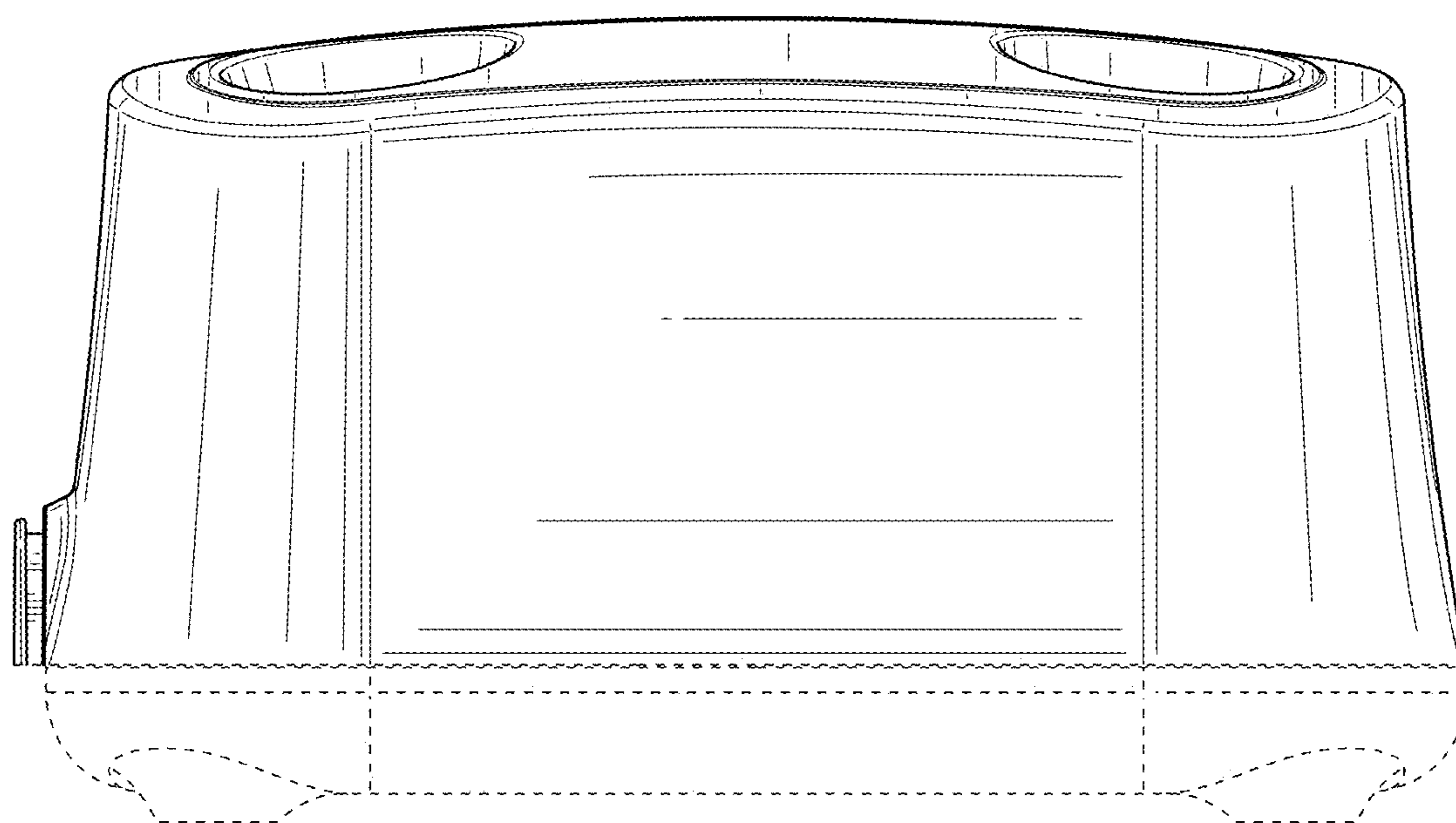


FIG. 11

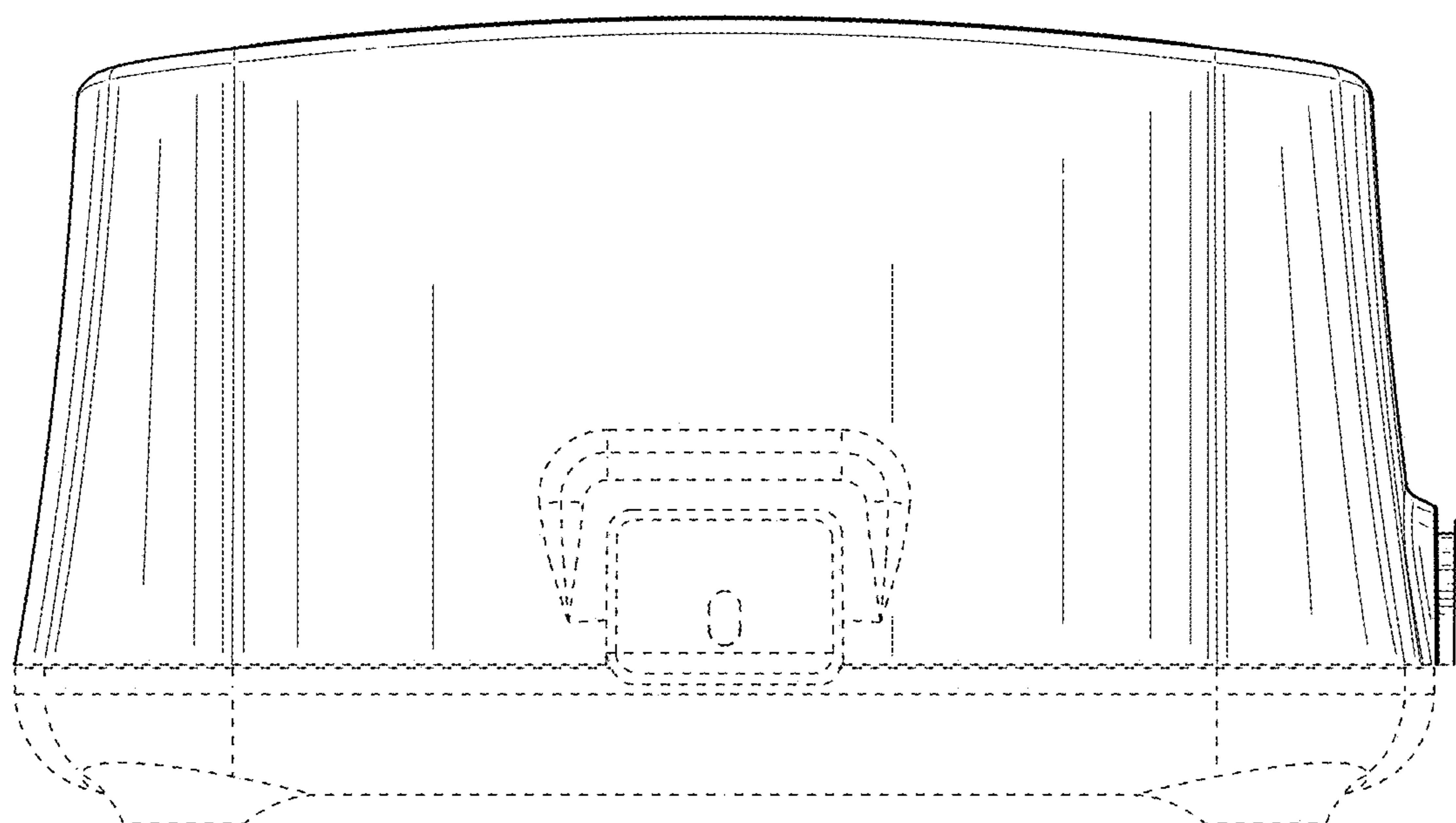


FIG. 12

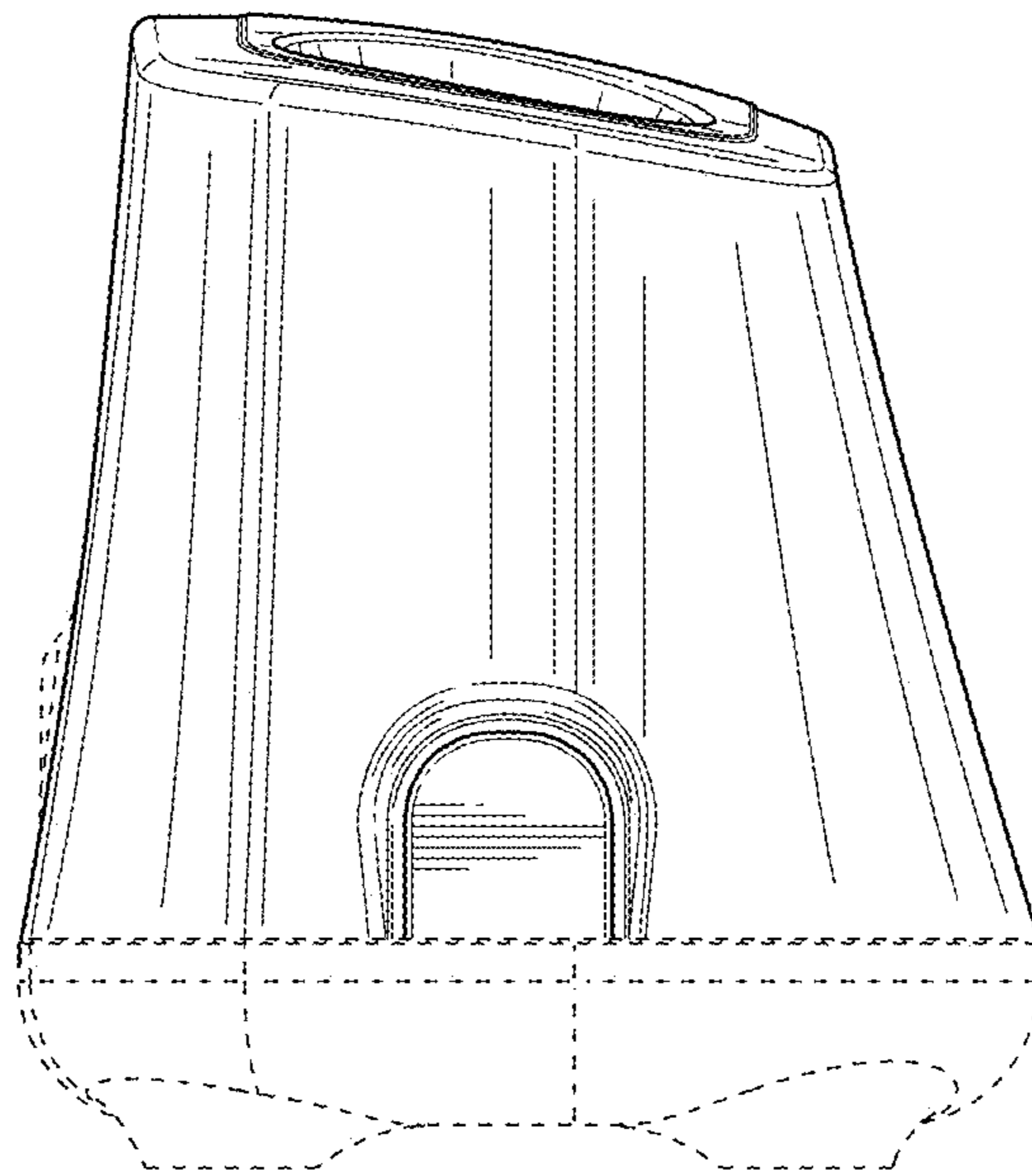


FIG. 13

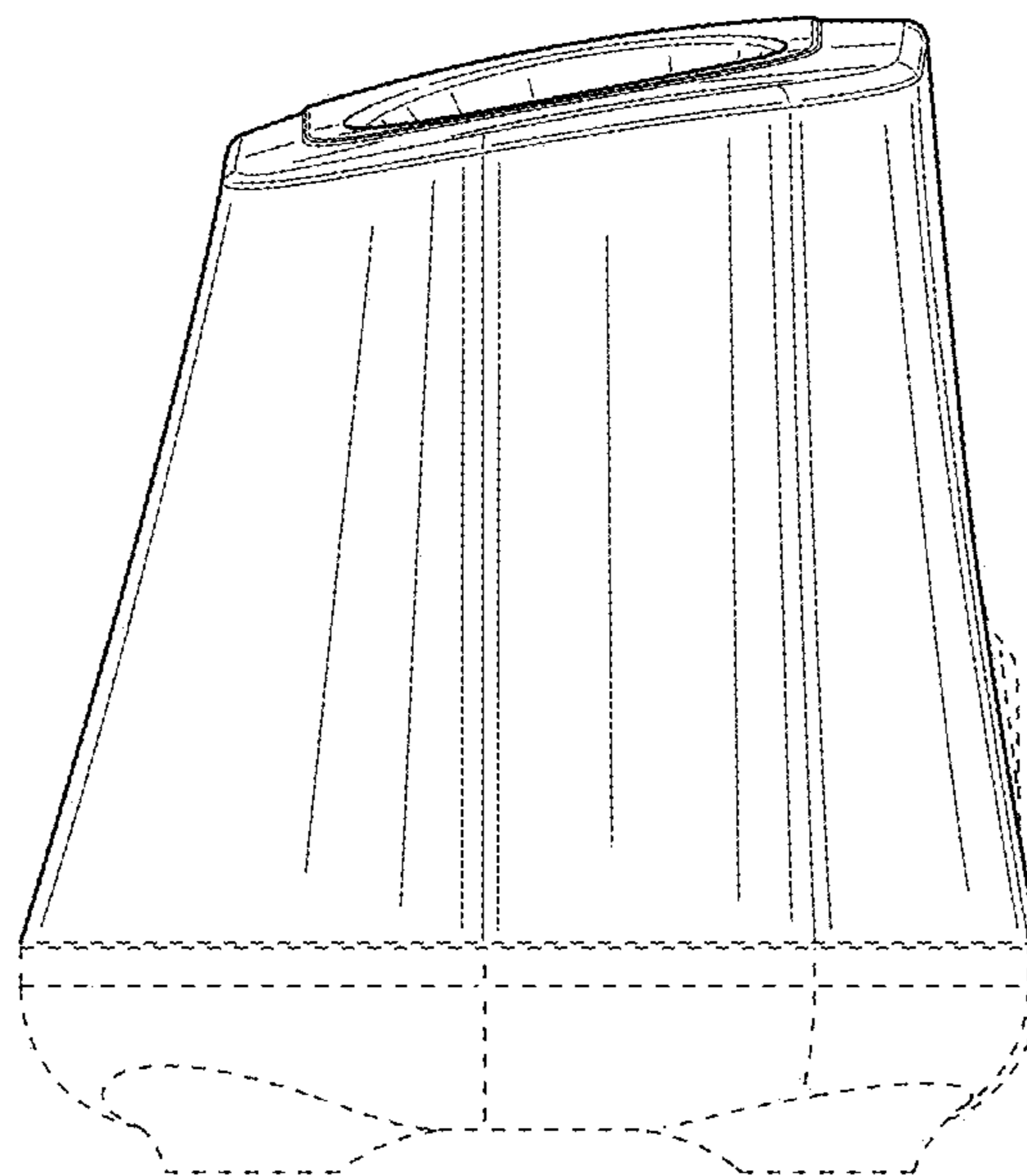


FIG. 14

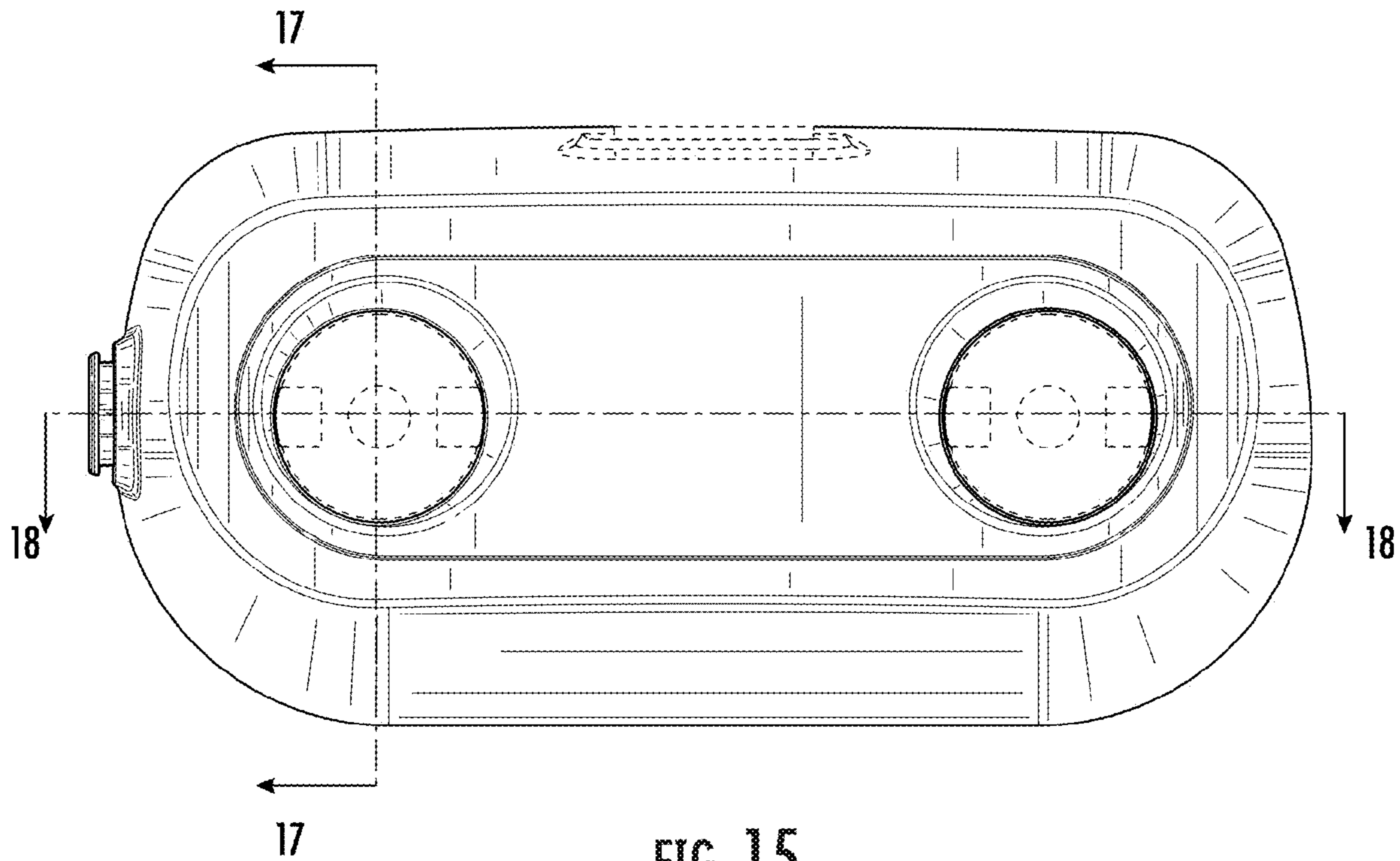


FIG. 15

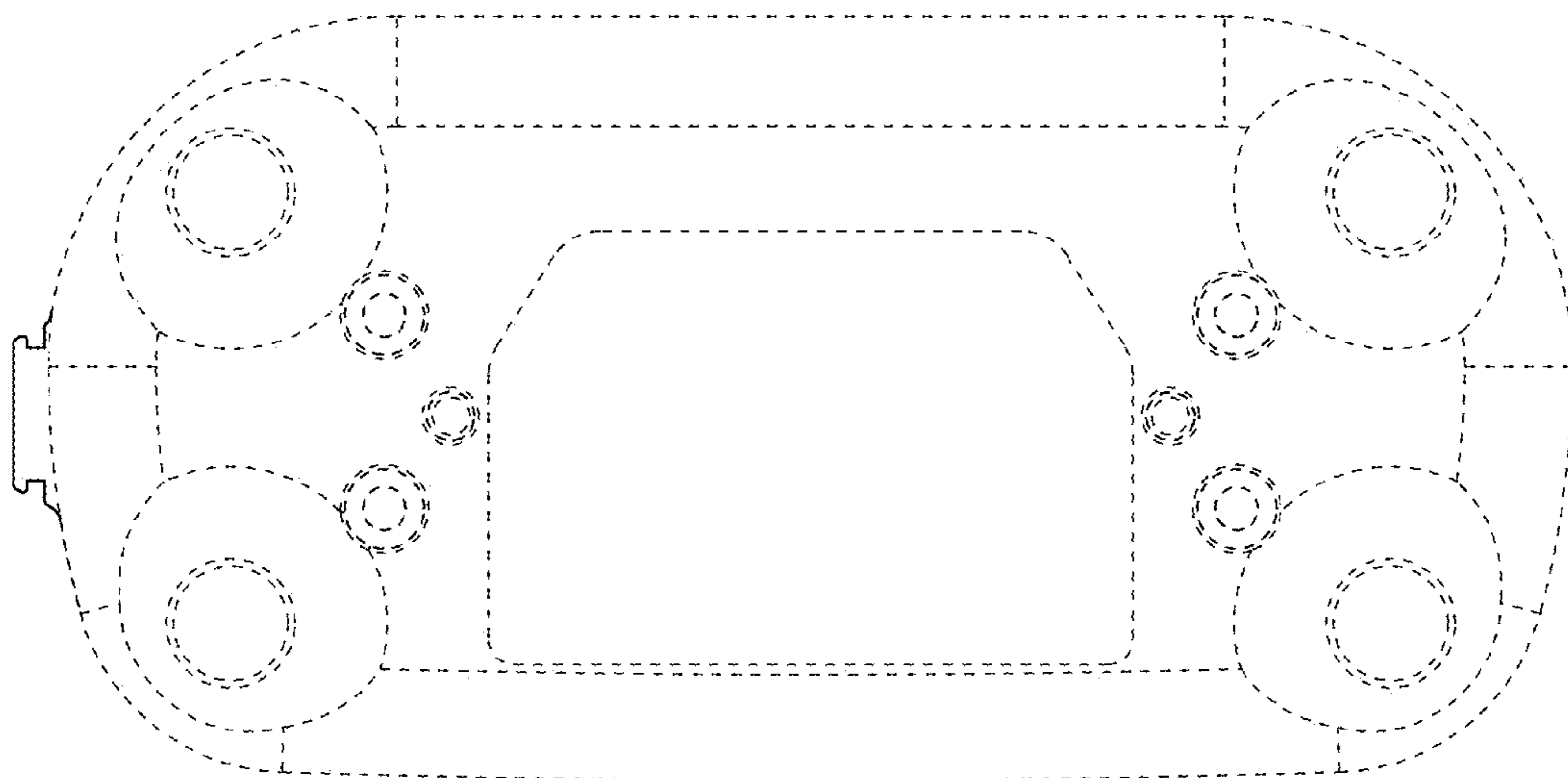


FIG. 16

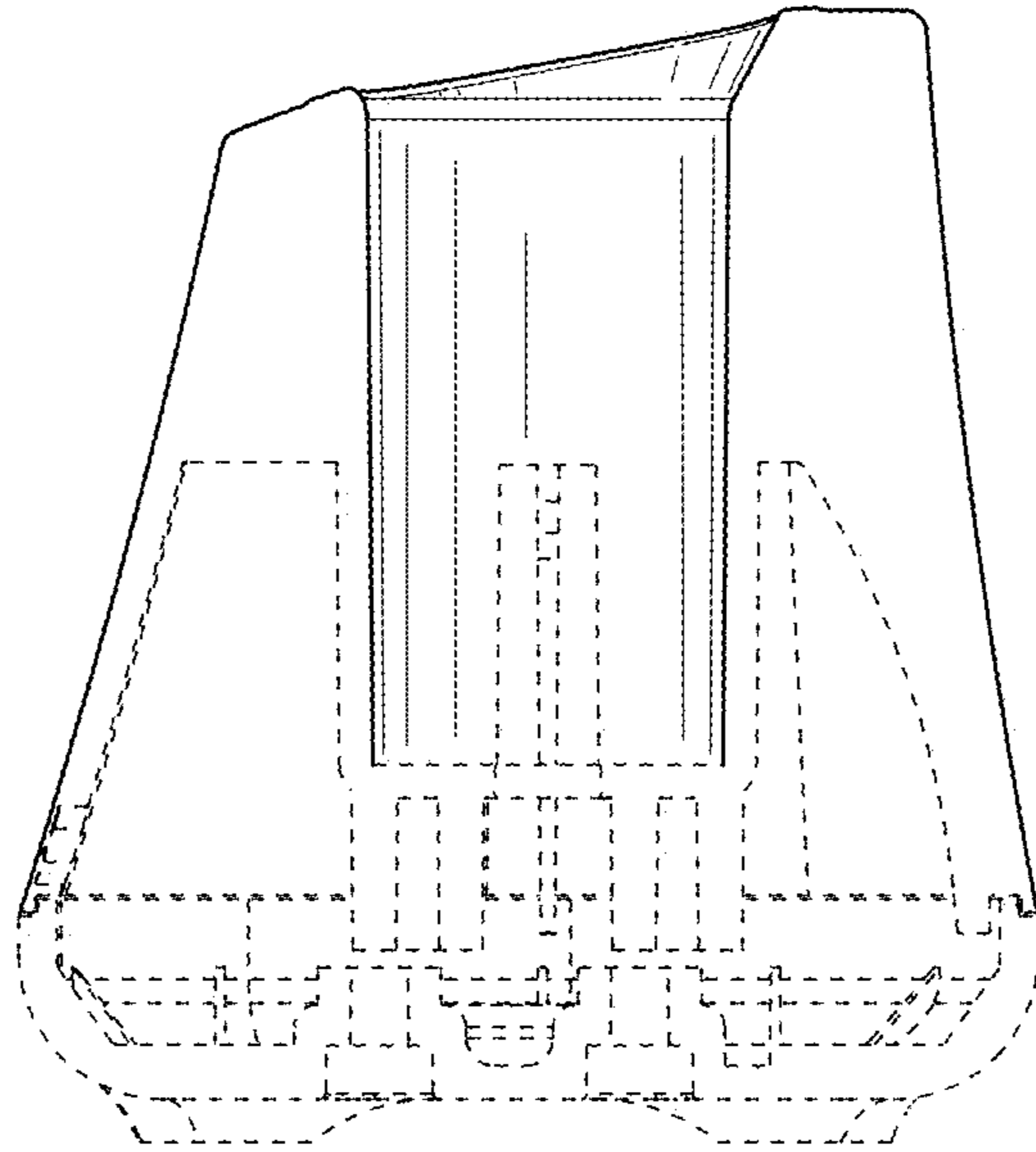


FIG. 17

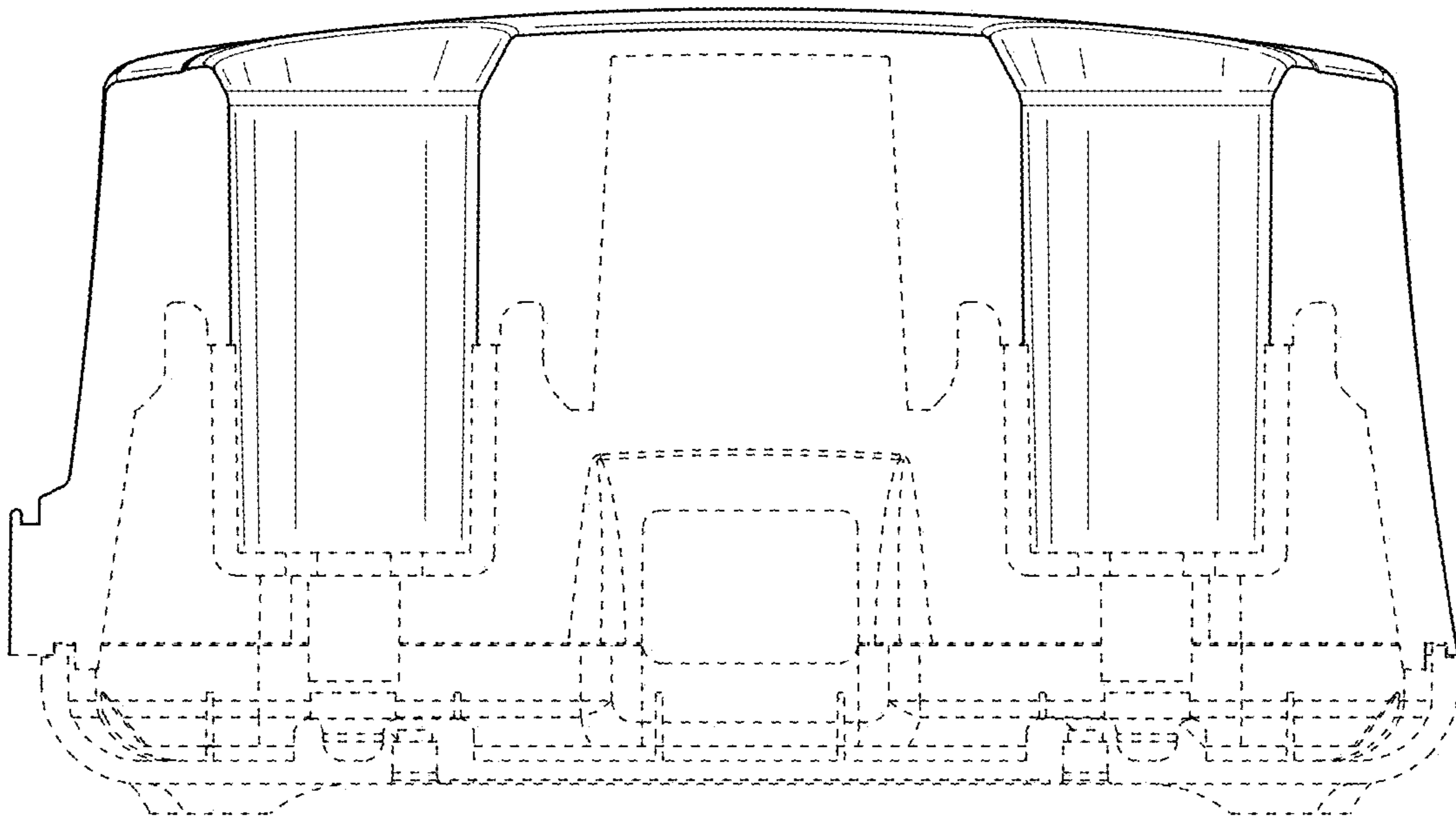


FIG. 18

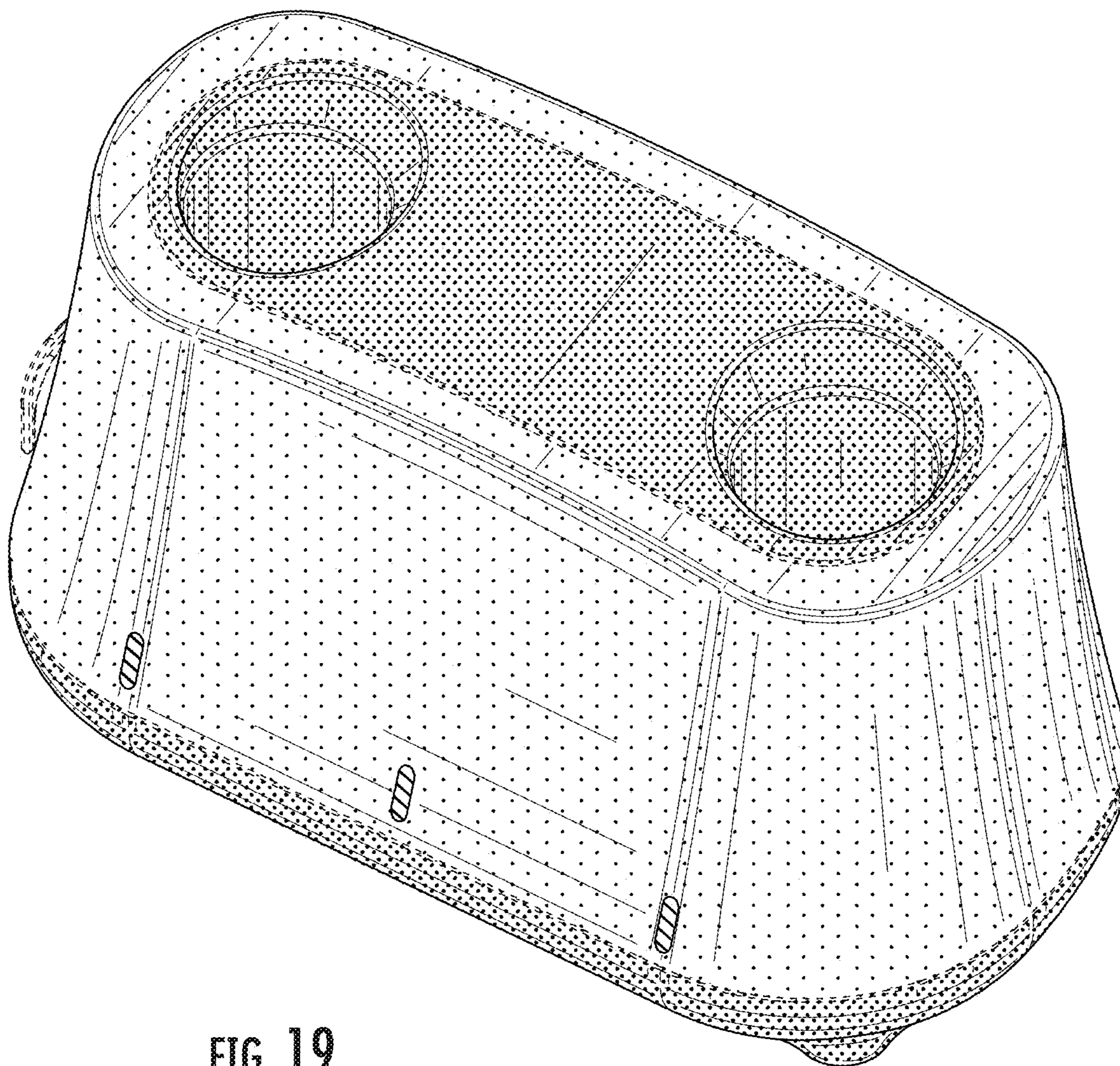


FIG. 19

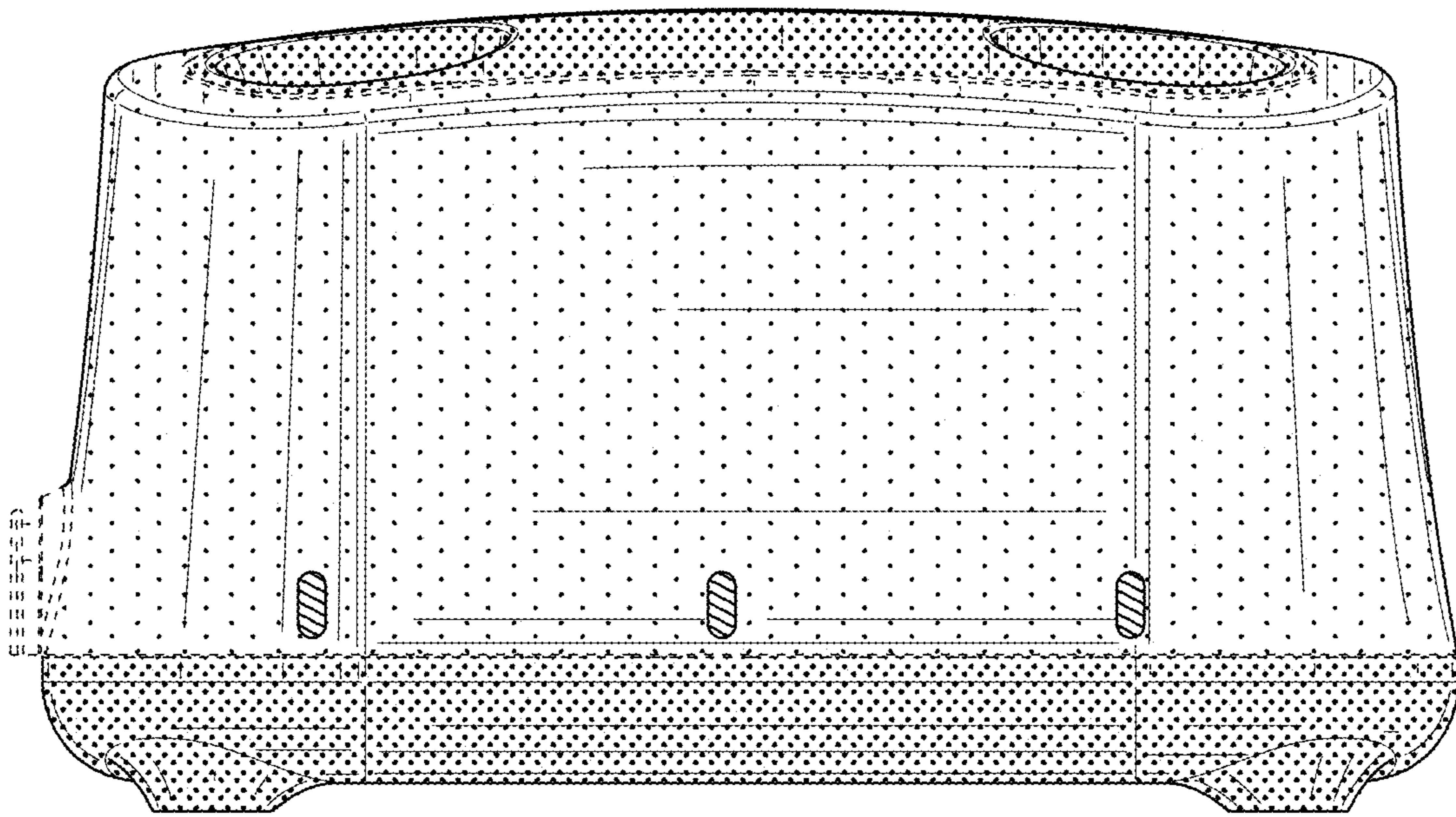


FIG. 20

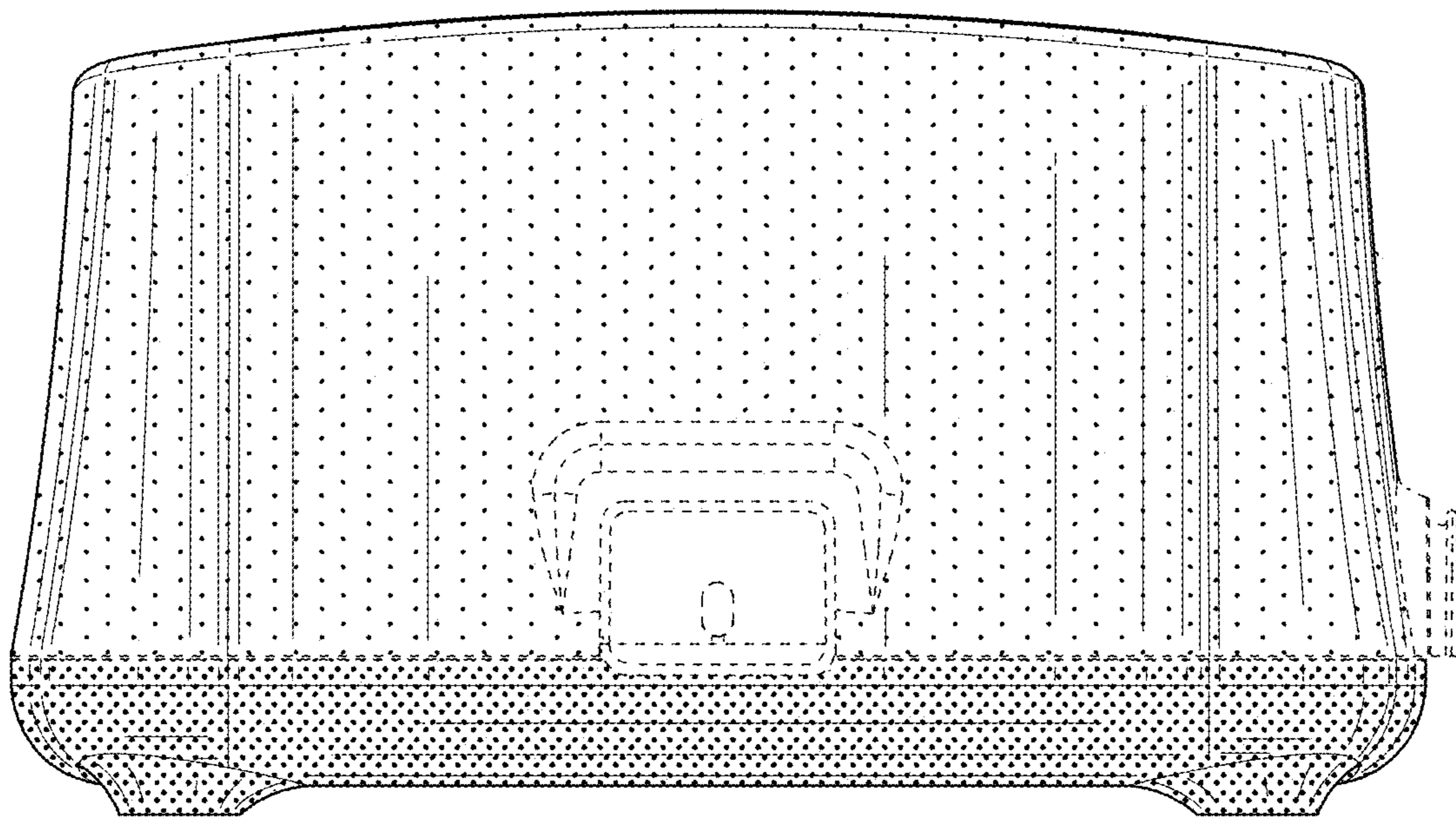


FIG. 21

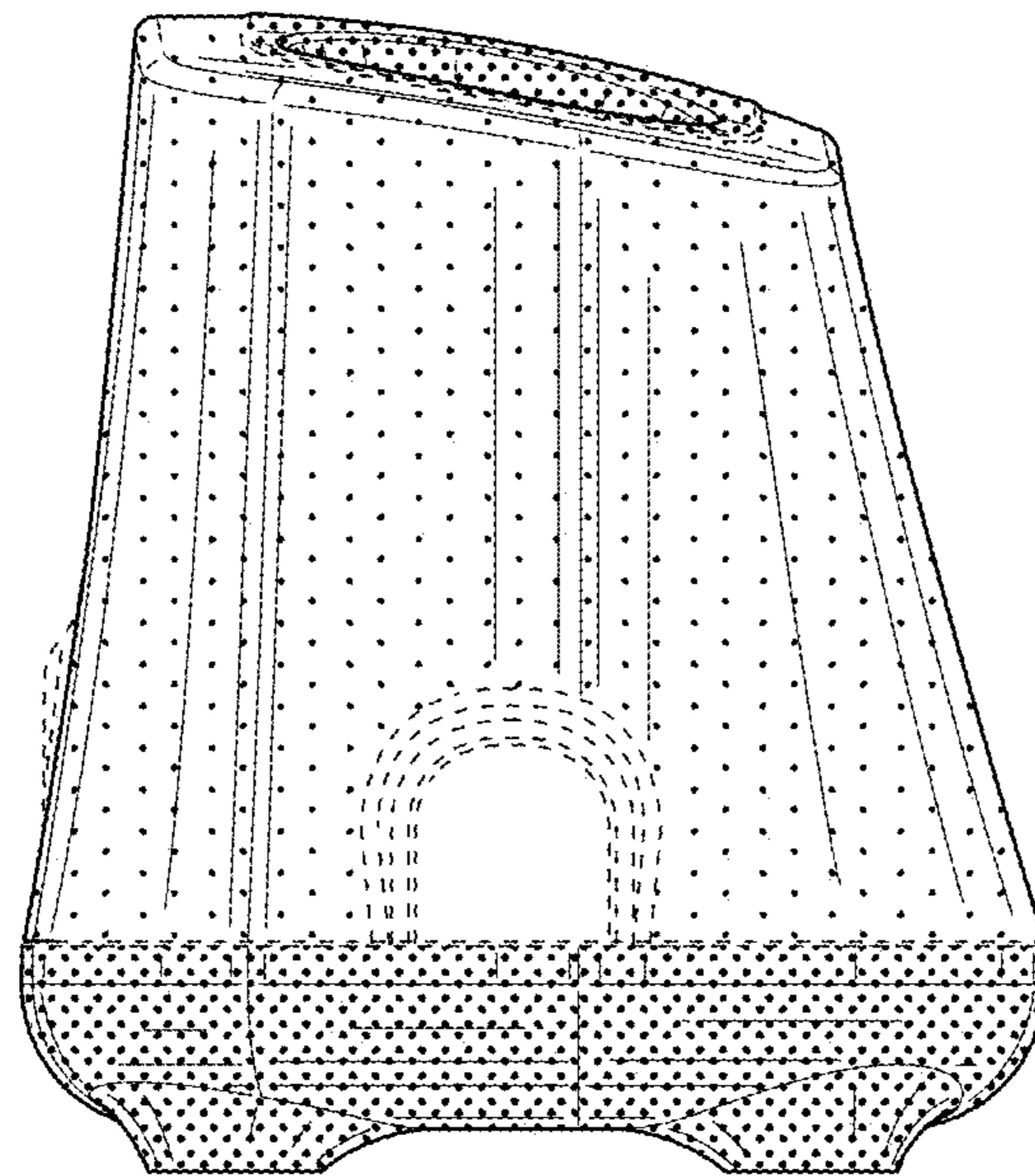


FIG. 22

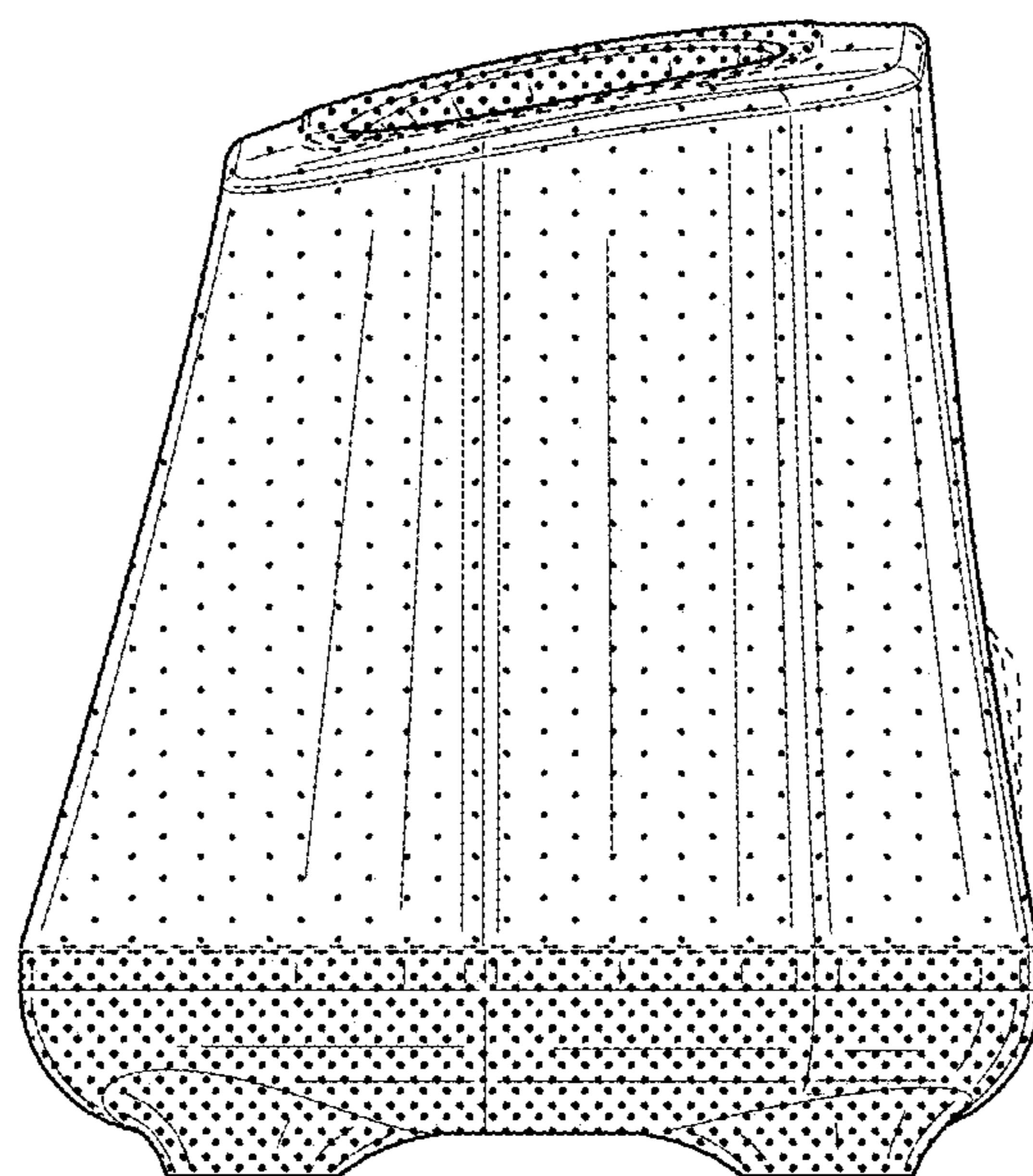
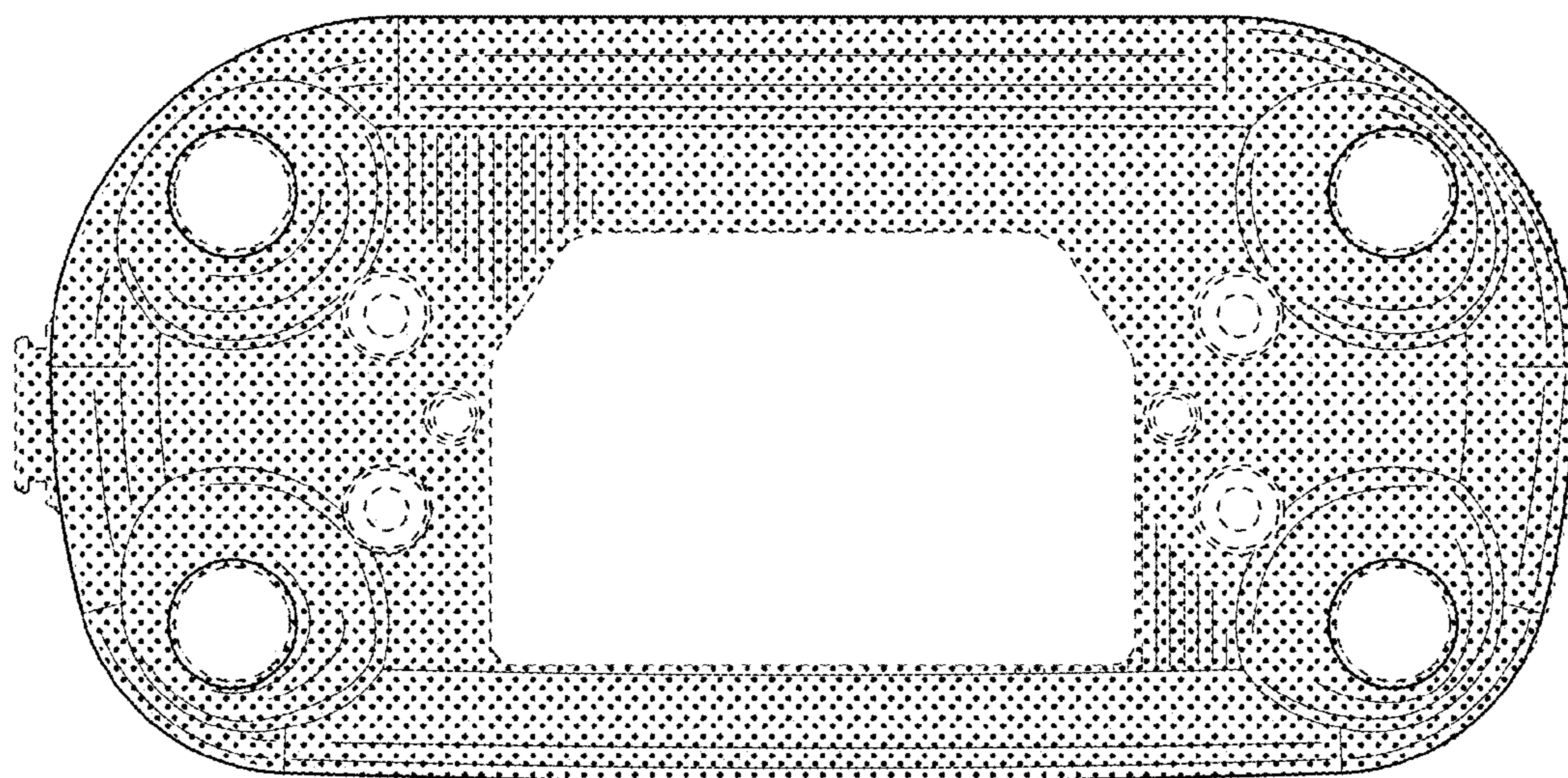
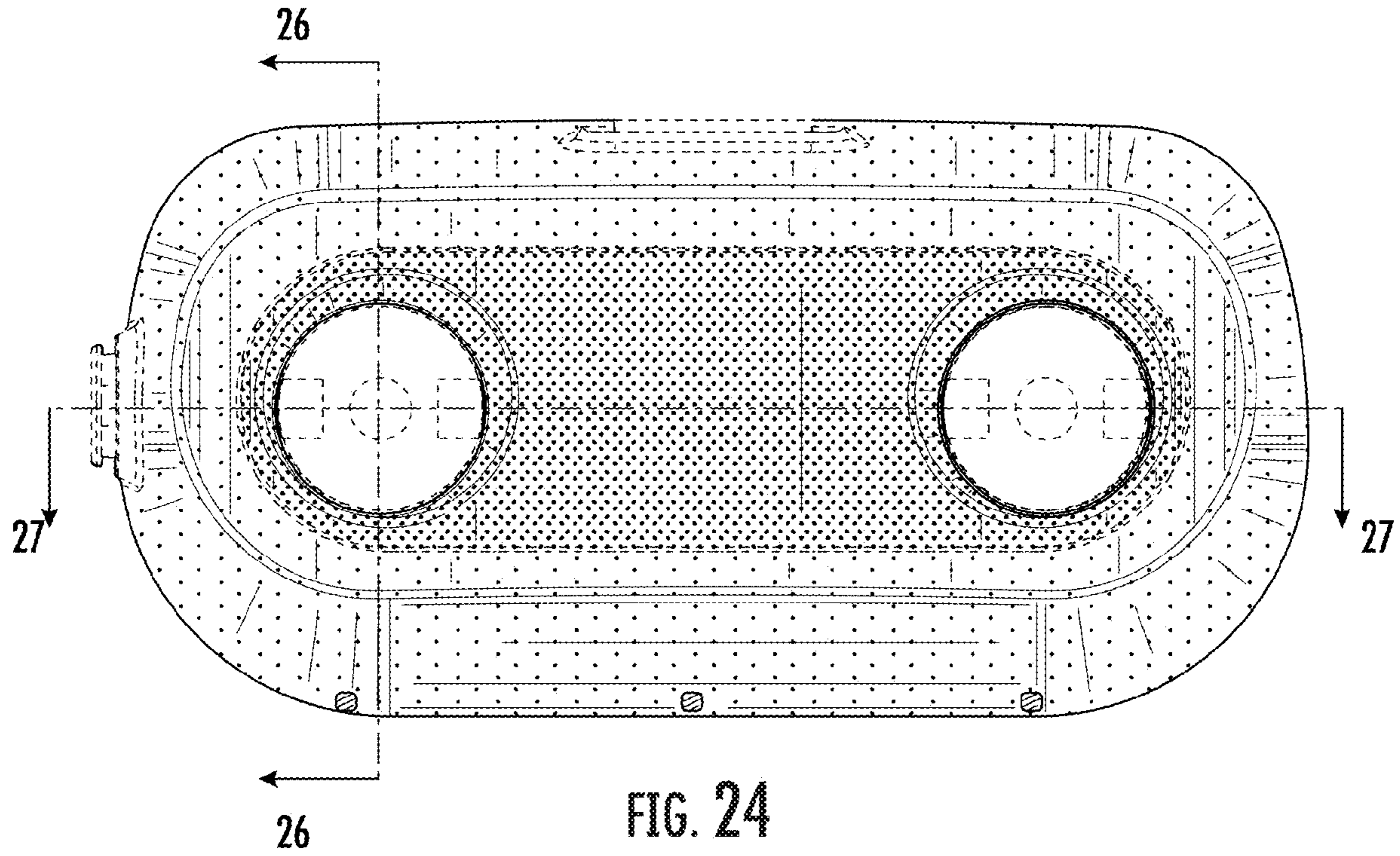


FIG. 23



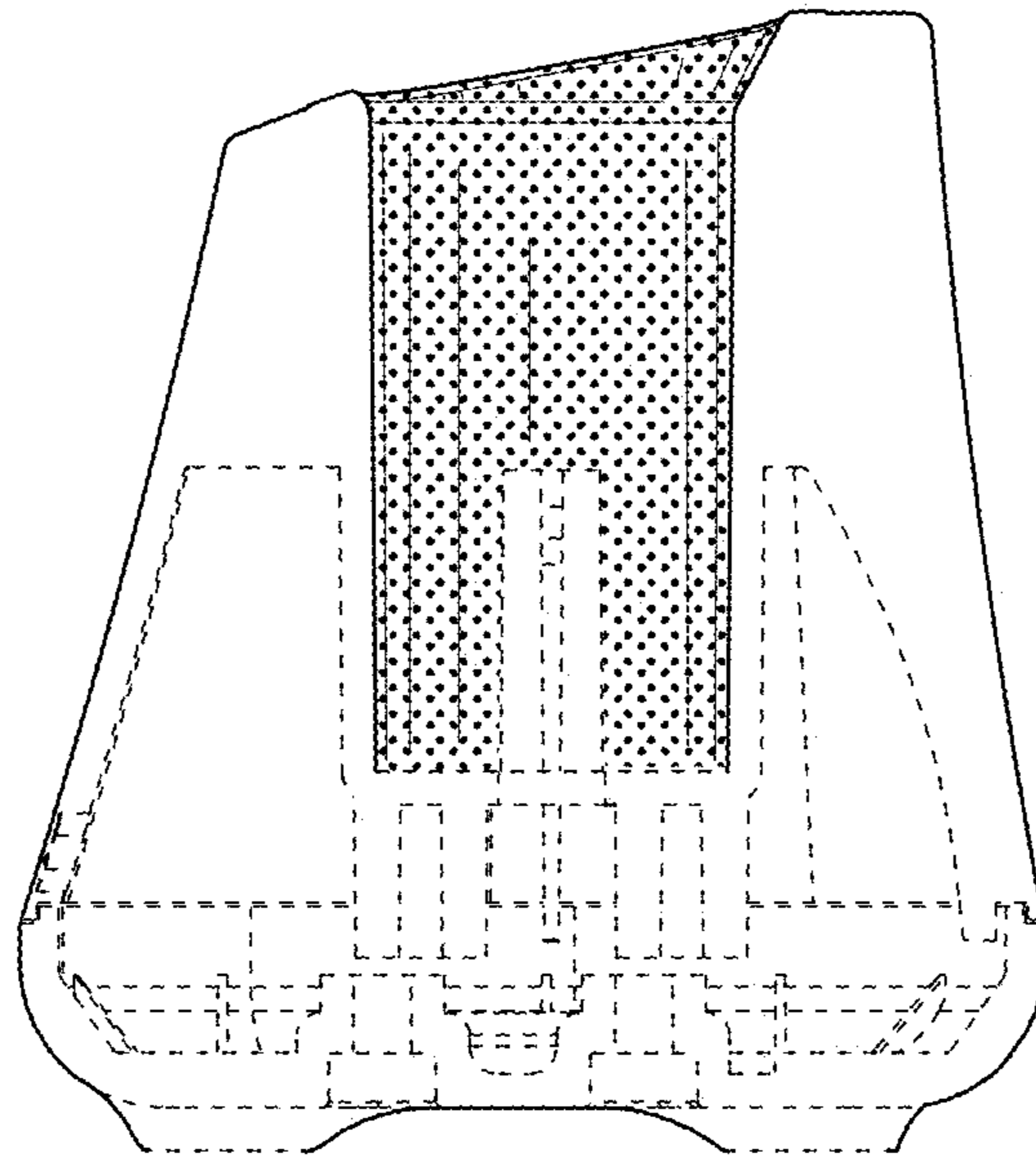


FIG. 26

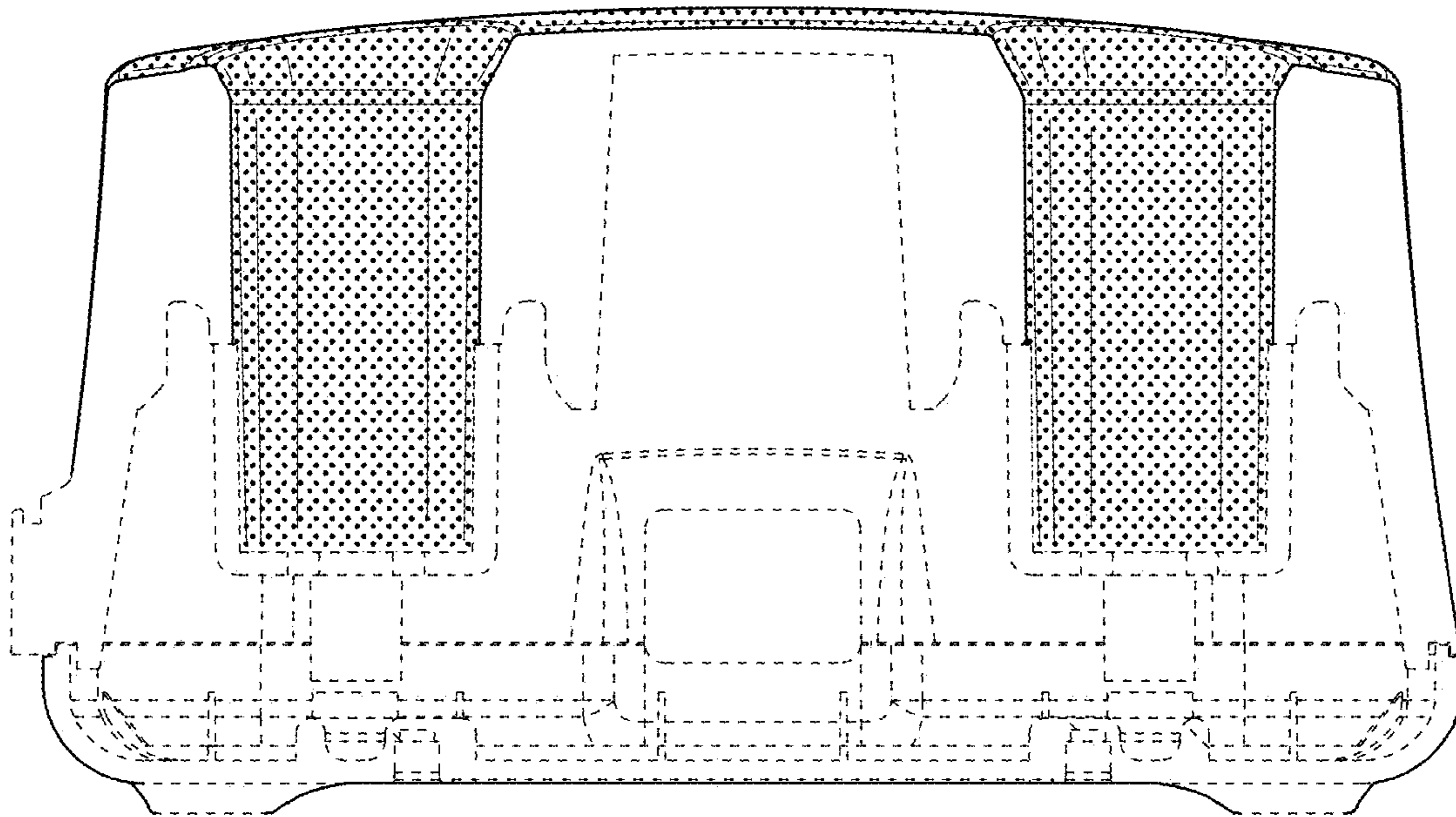


FIG. 27

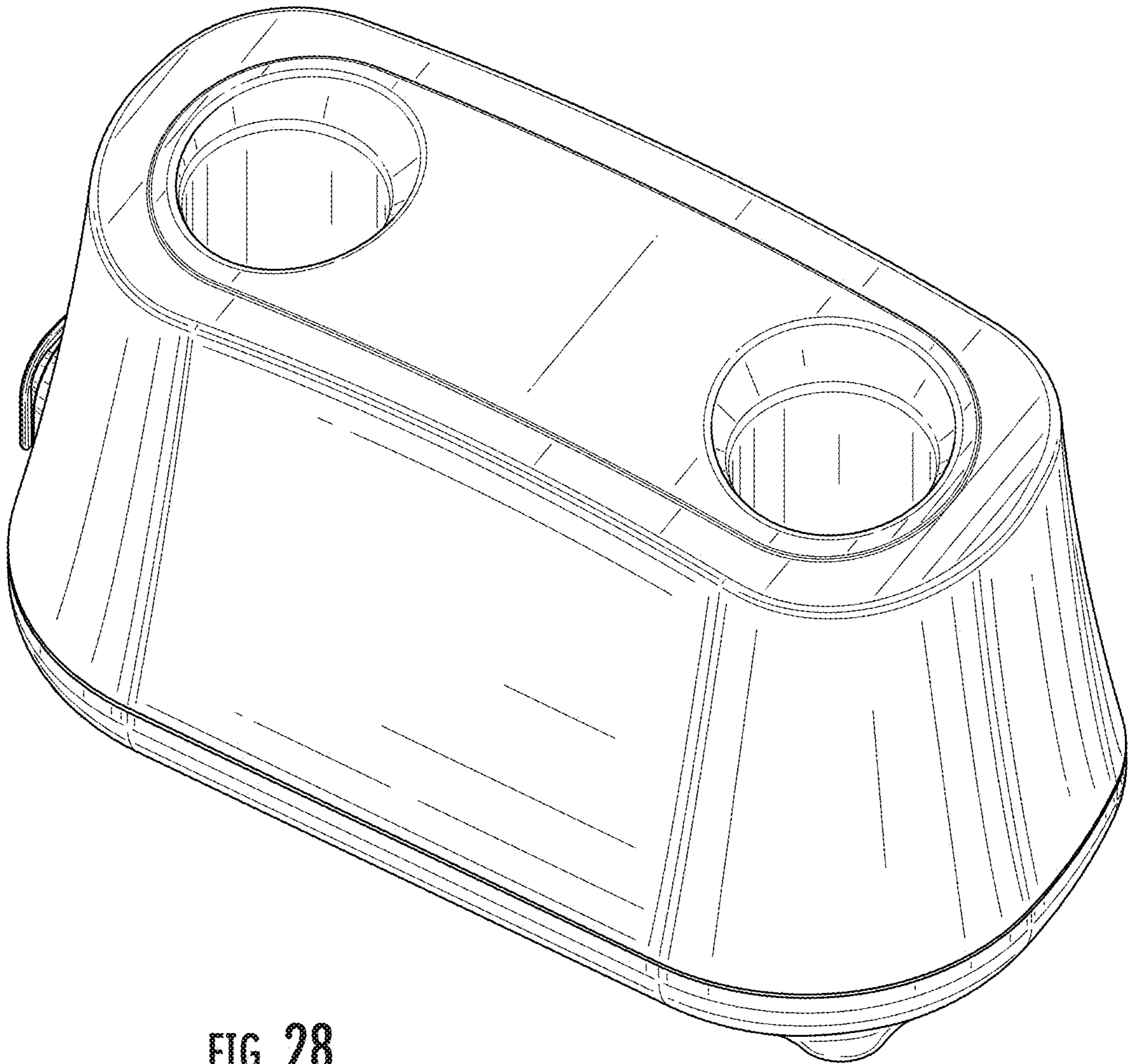


FIG. 28

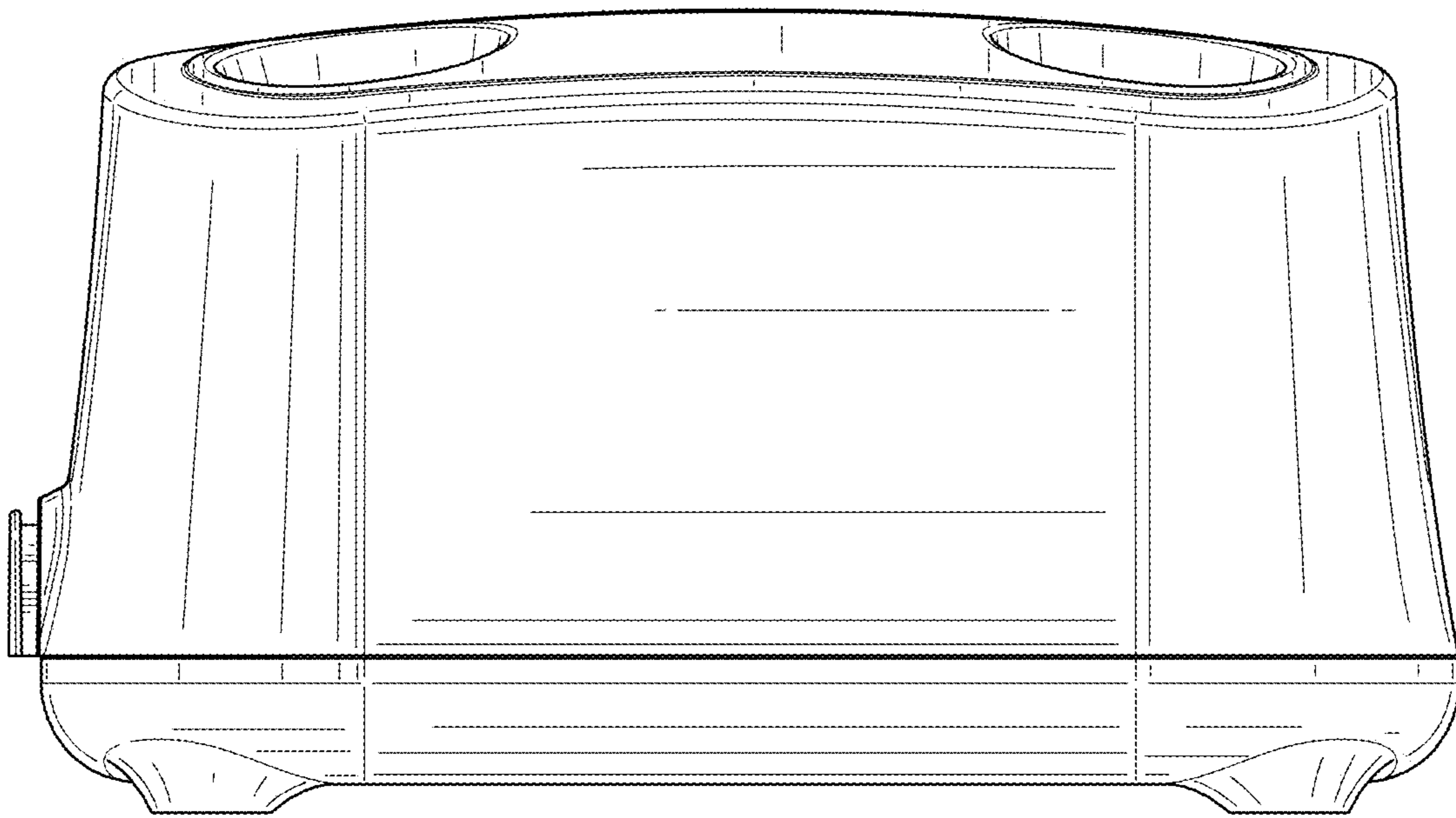


FIG. 29

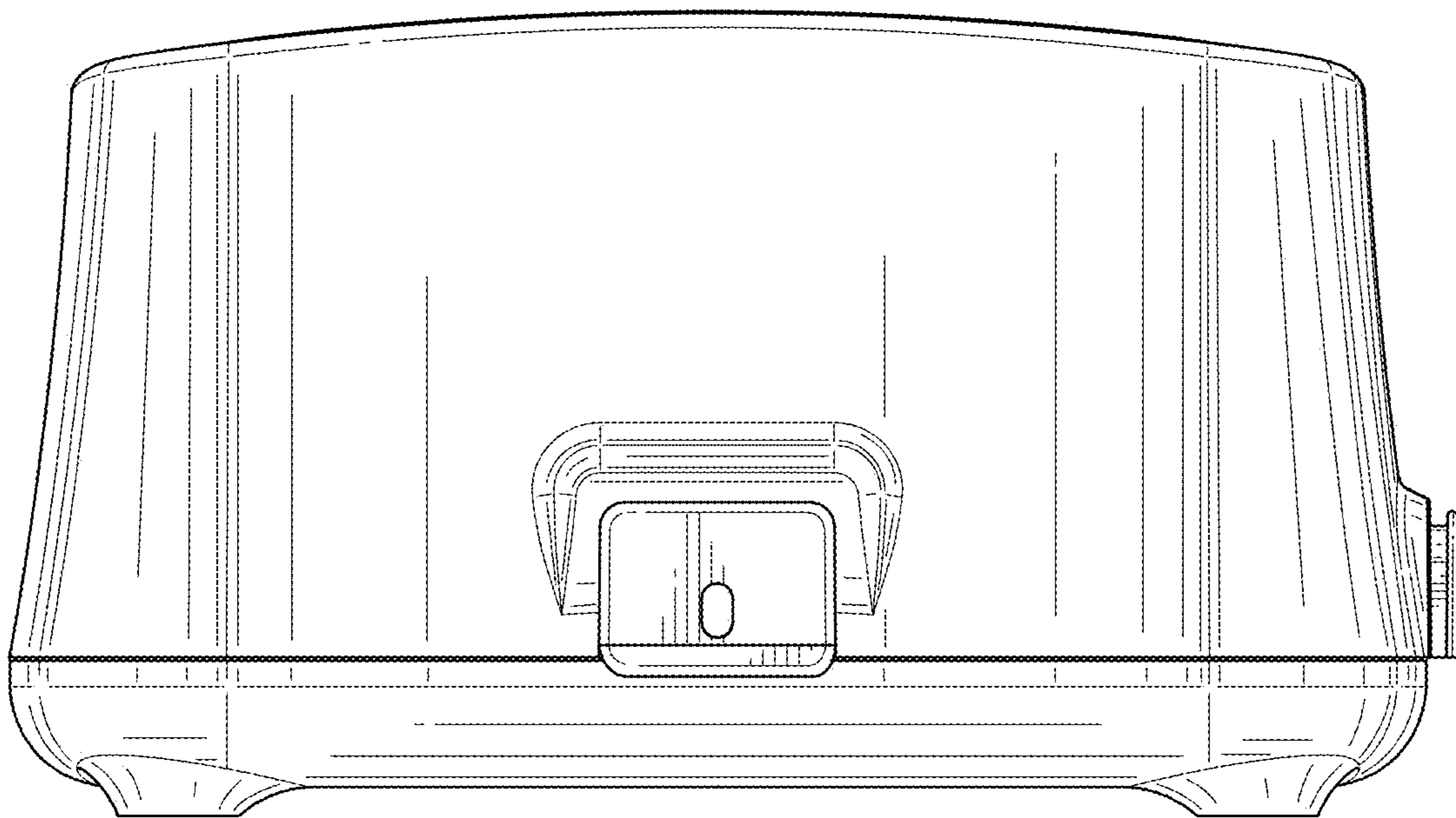


FIG. 30

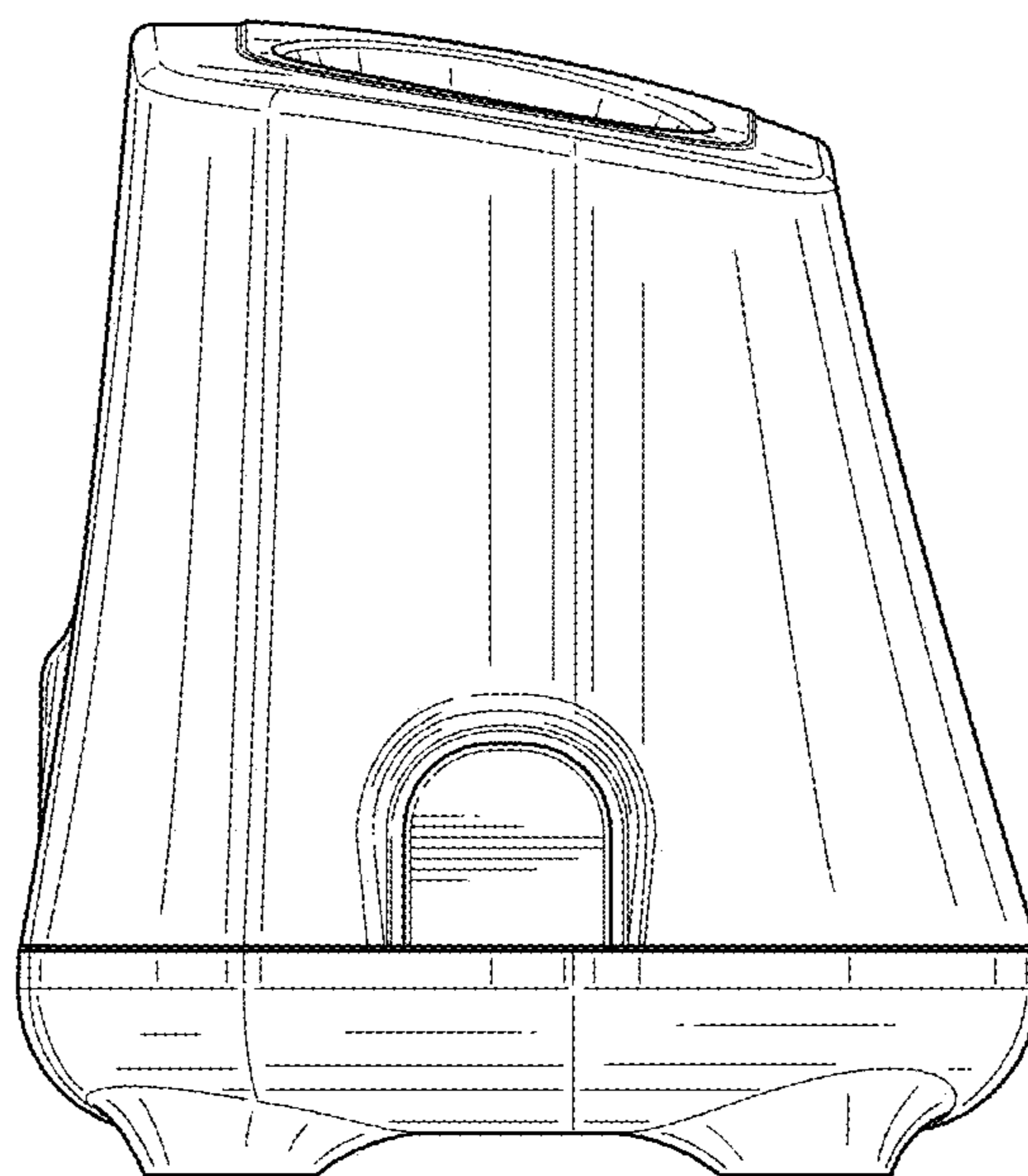


FIG. 31

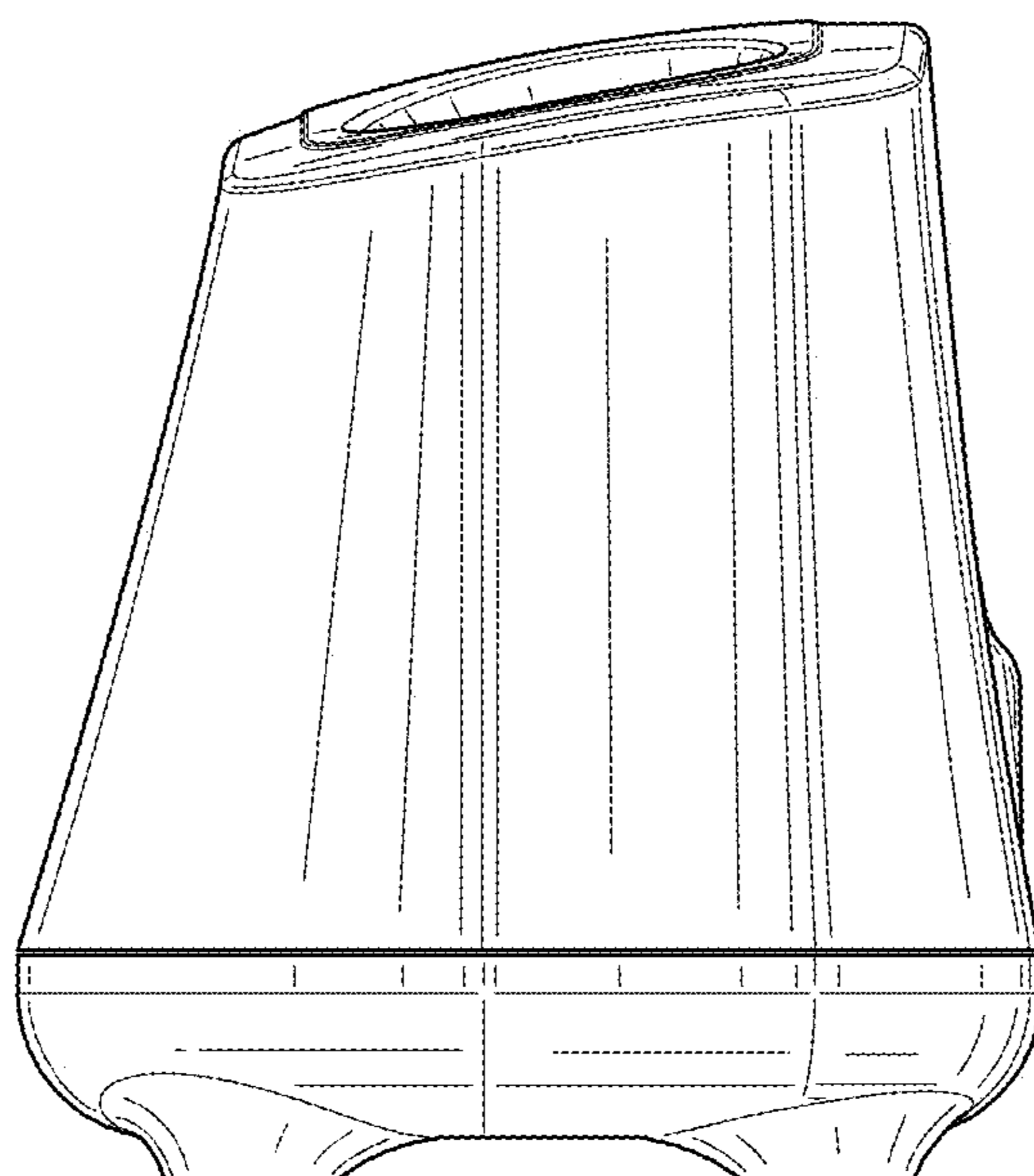


FIG. 32

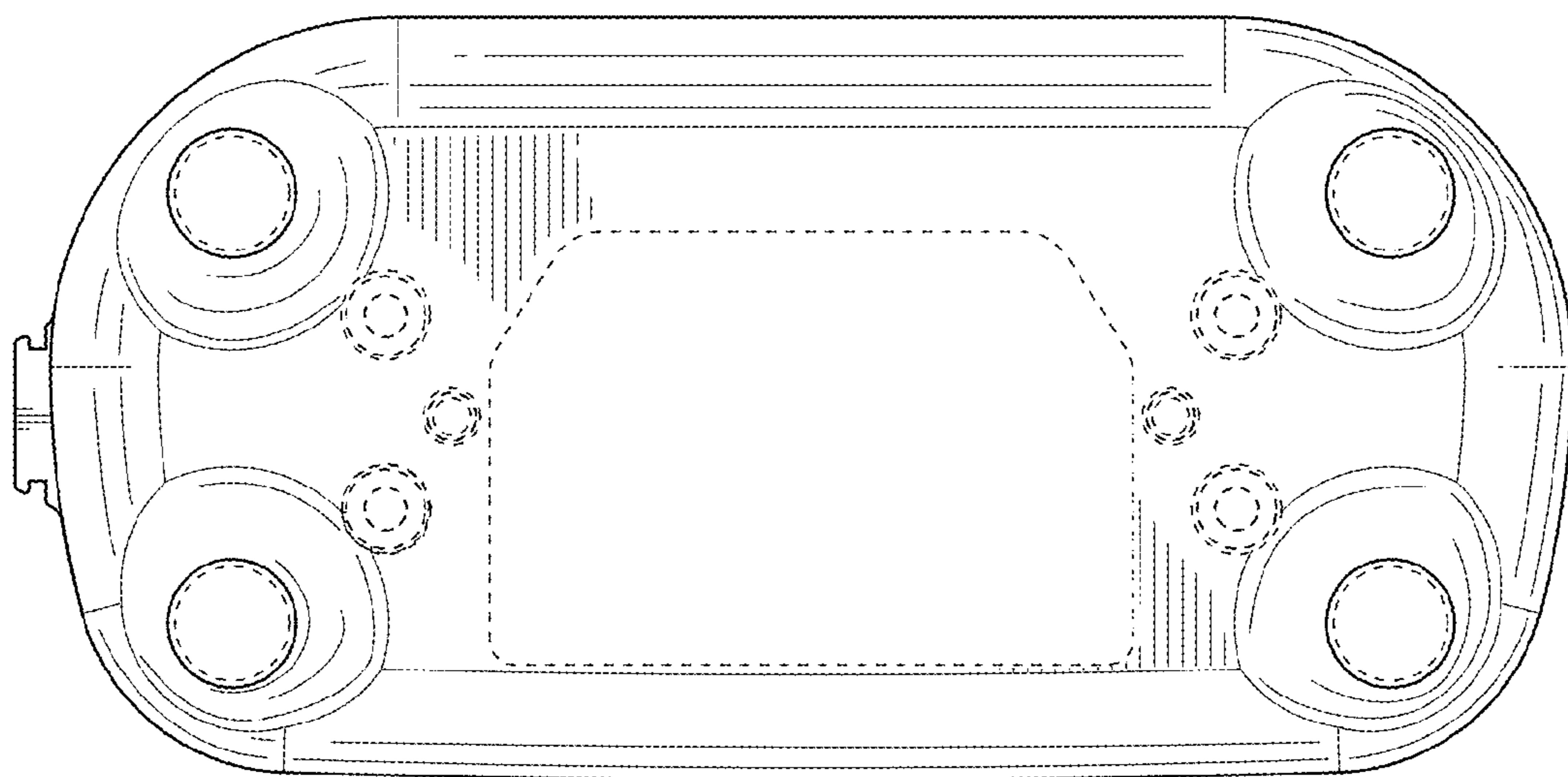
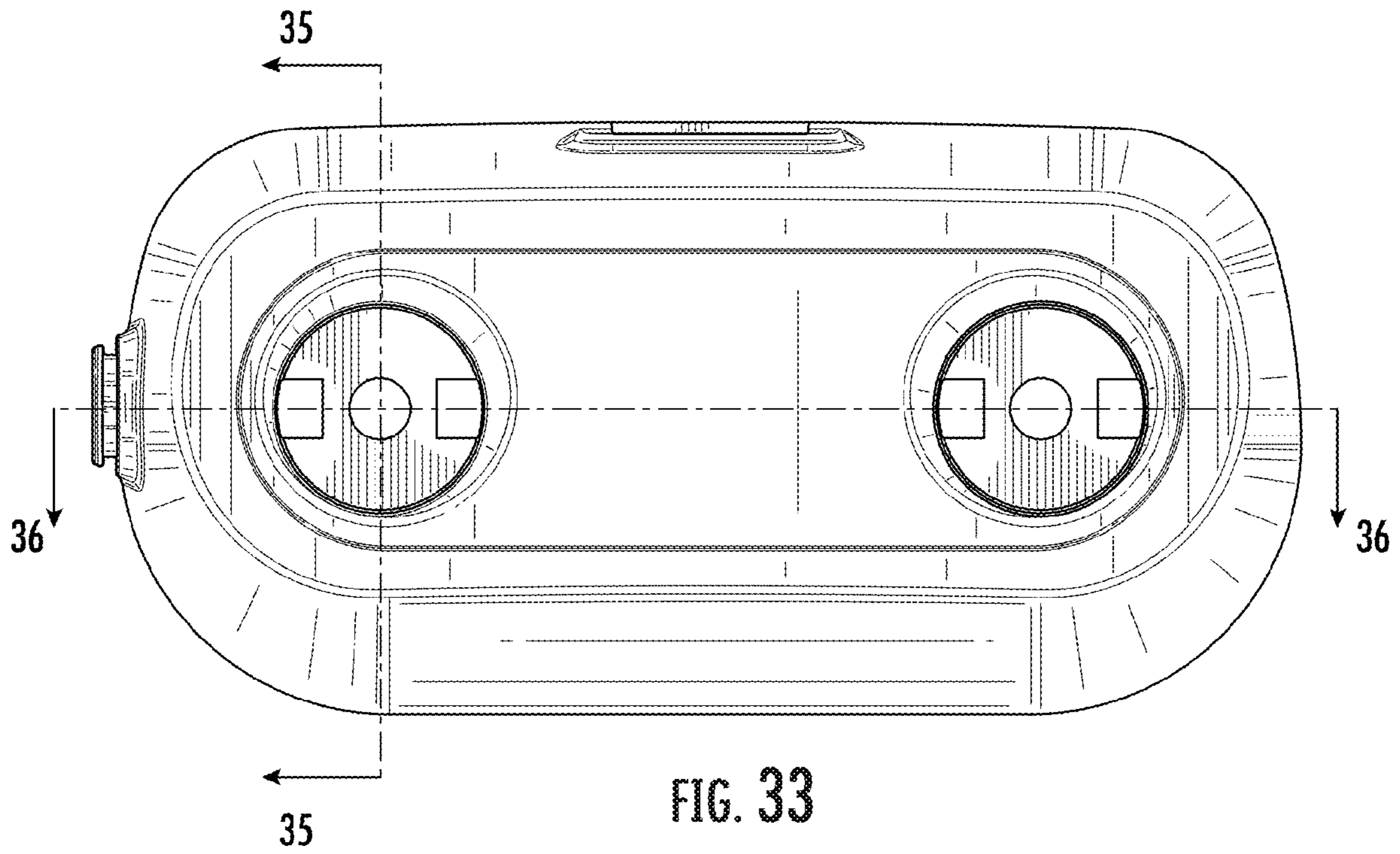


FIG. 34

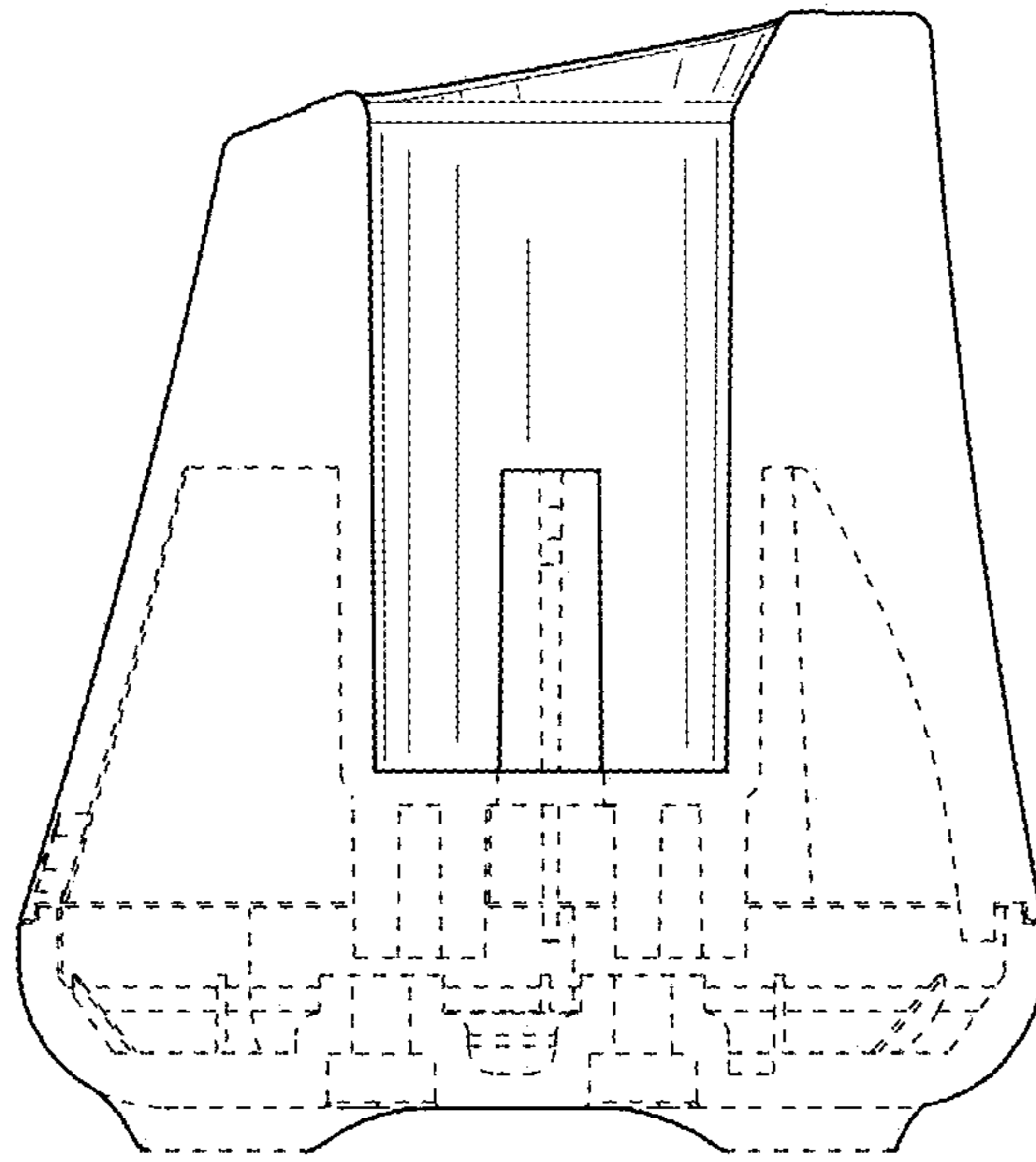


FIG. 35

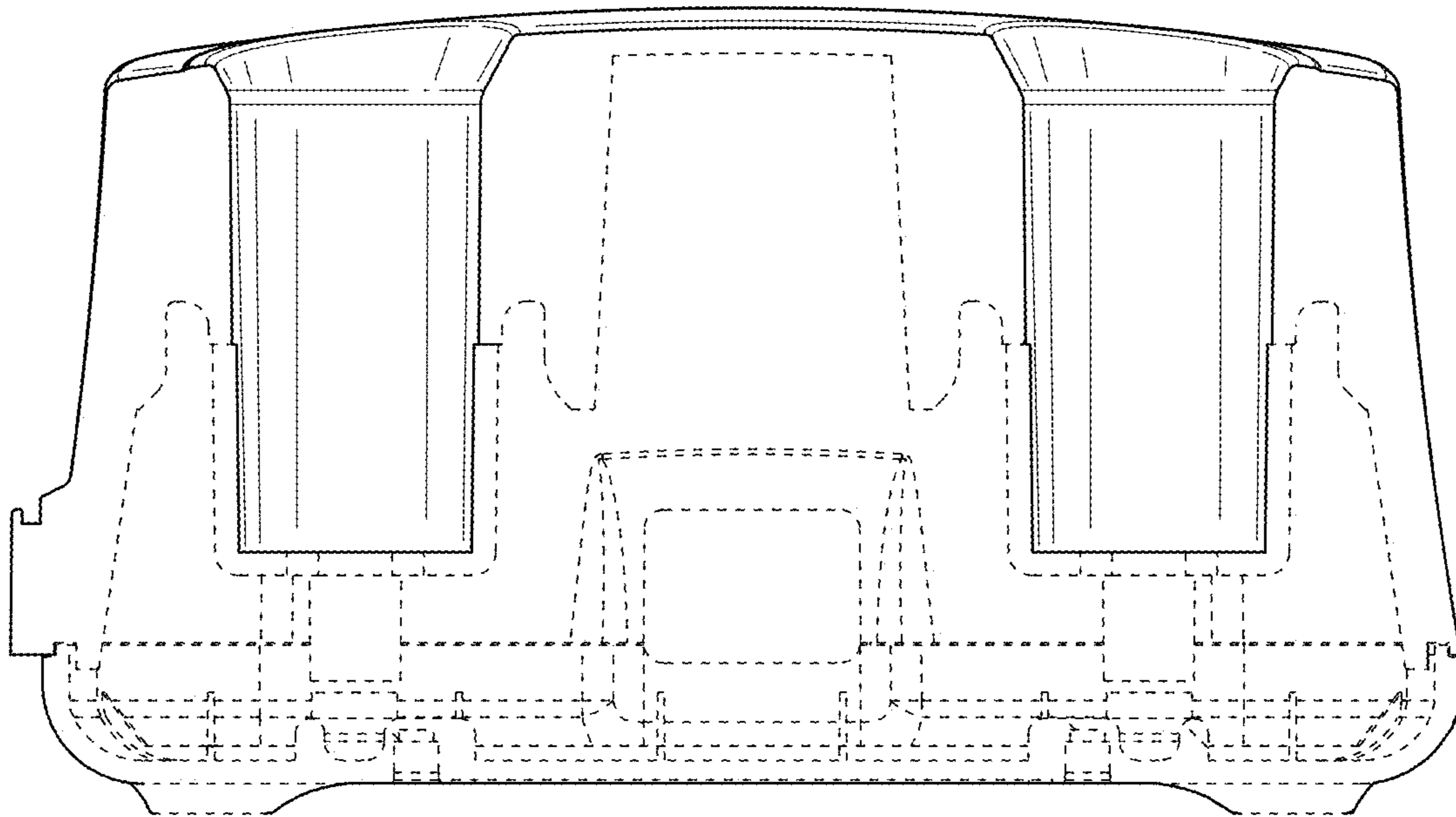


FIG. 36

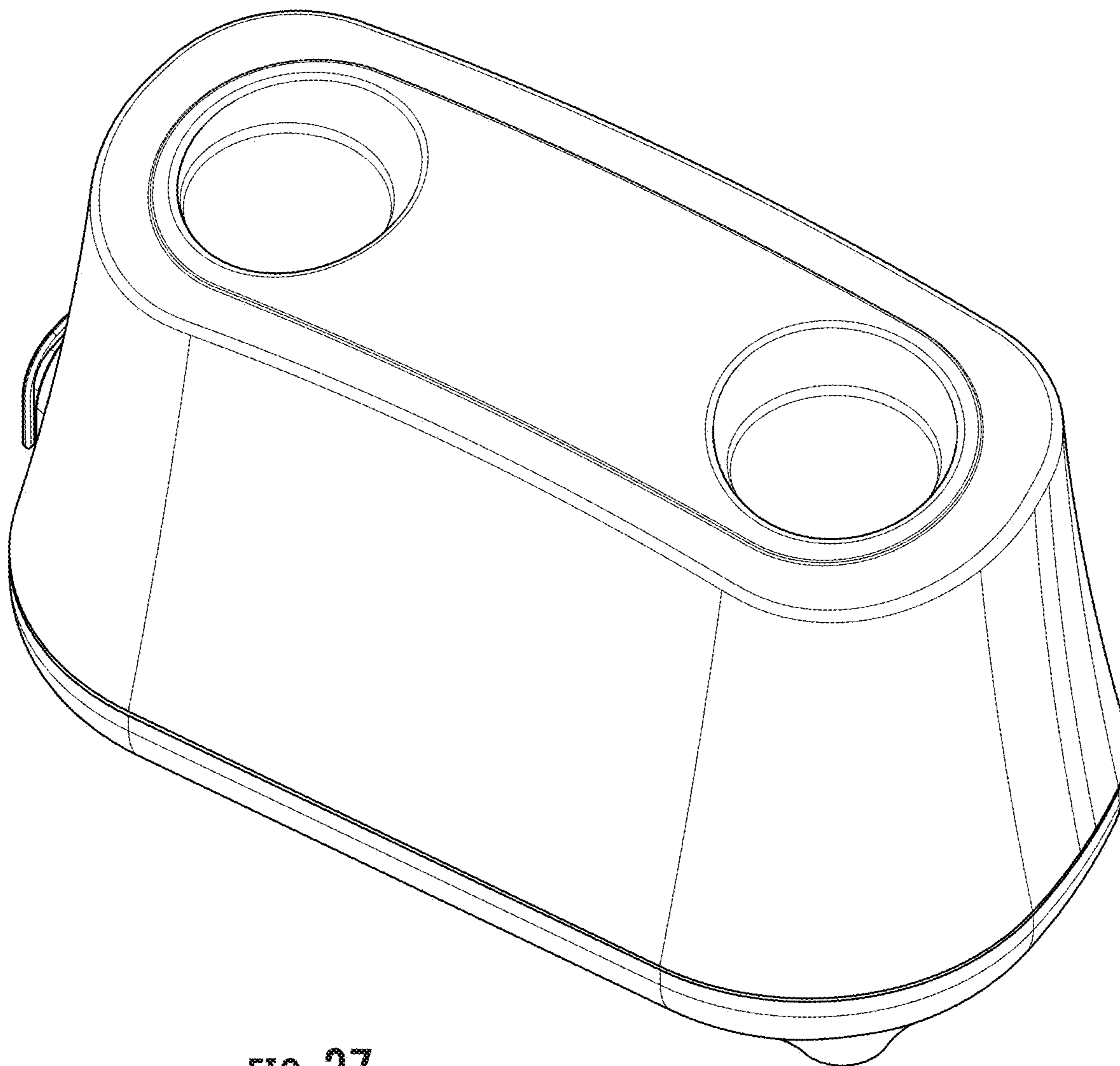


FIG. 37

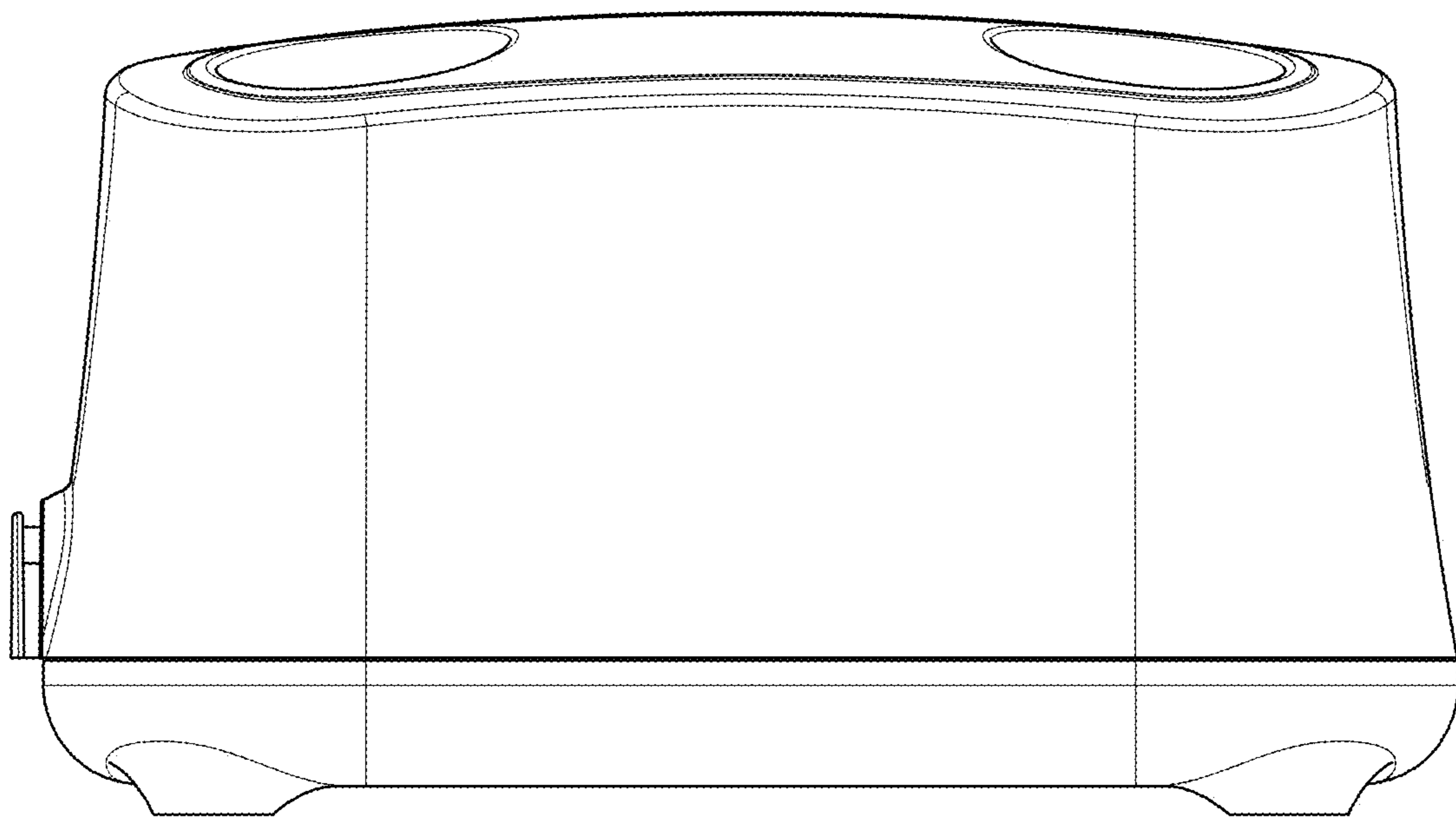


FIG. 38

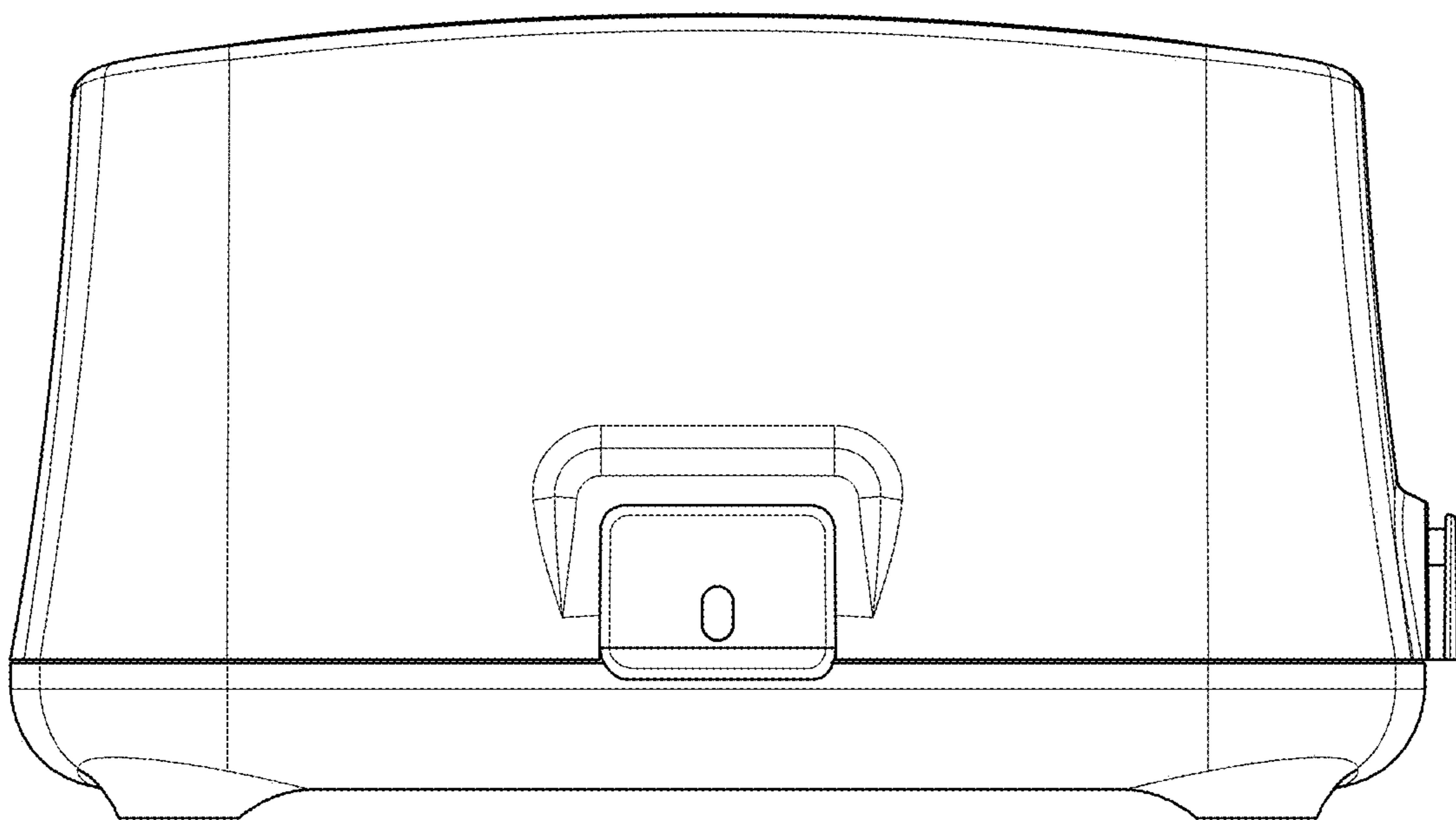


FIG. 39

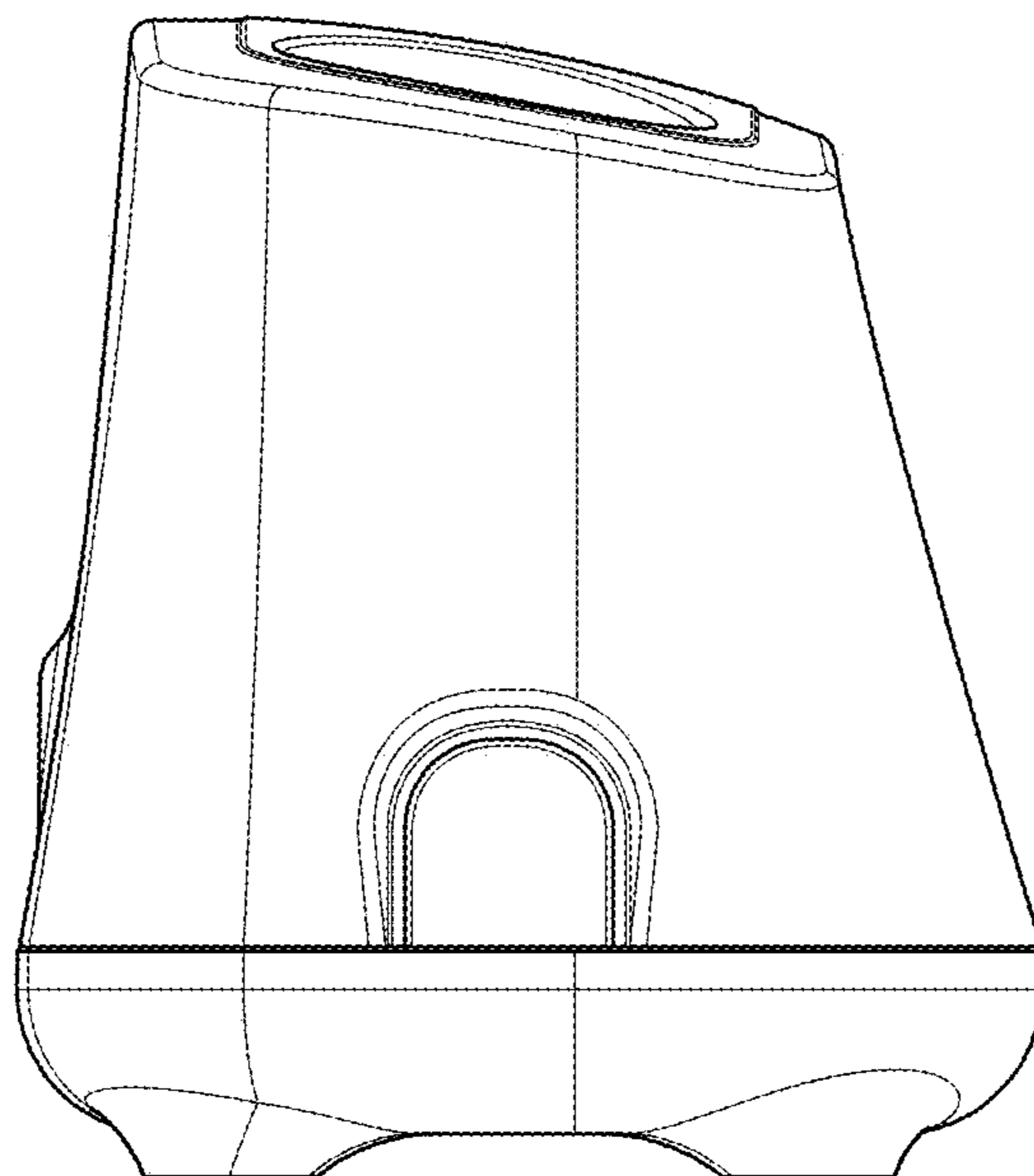


FIG. 40

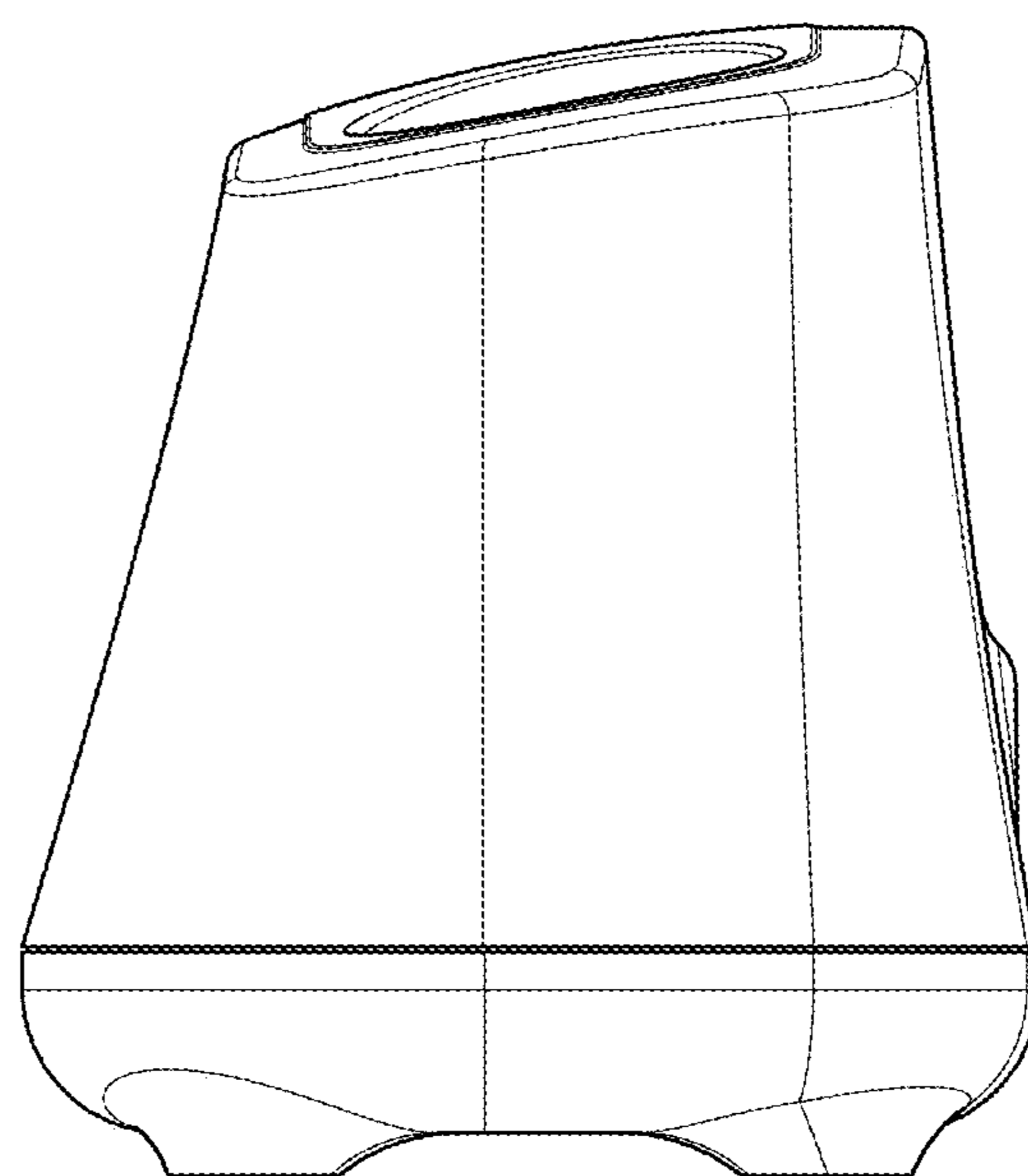


FIG. 41

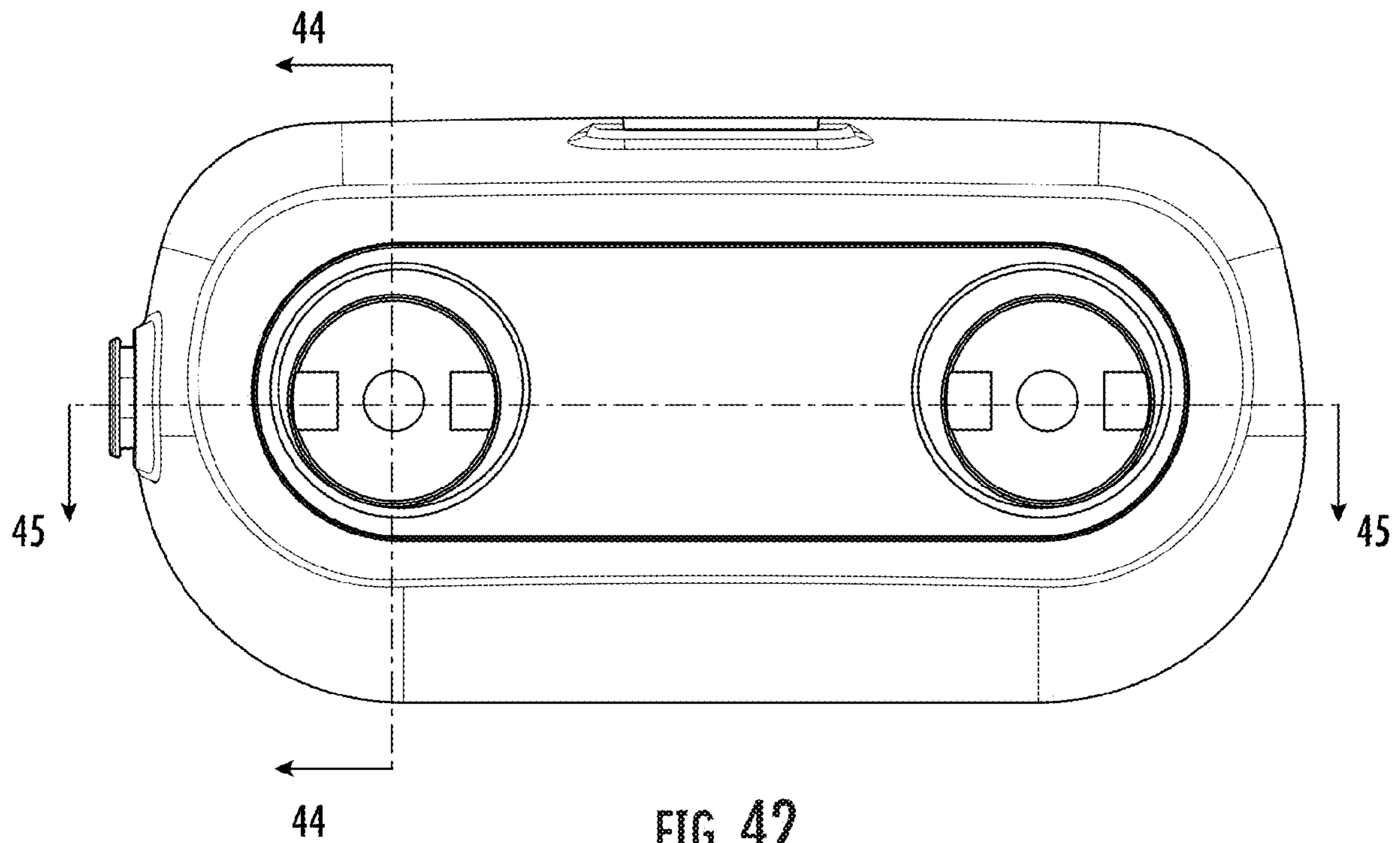


FIG. 42

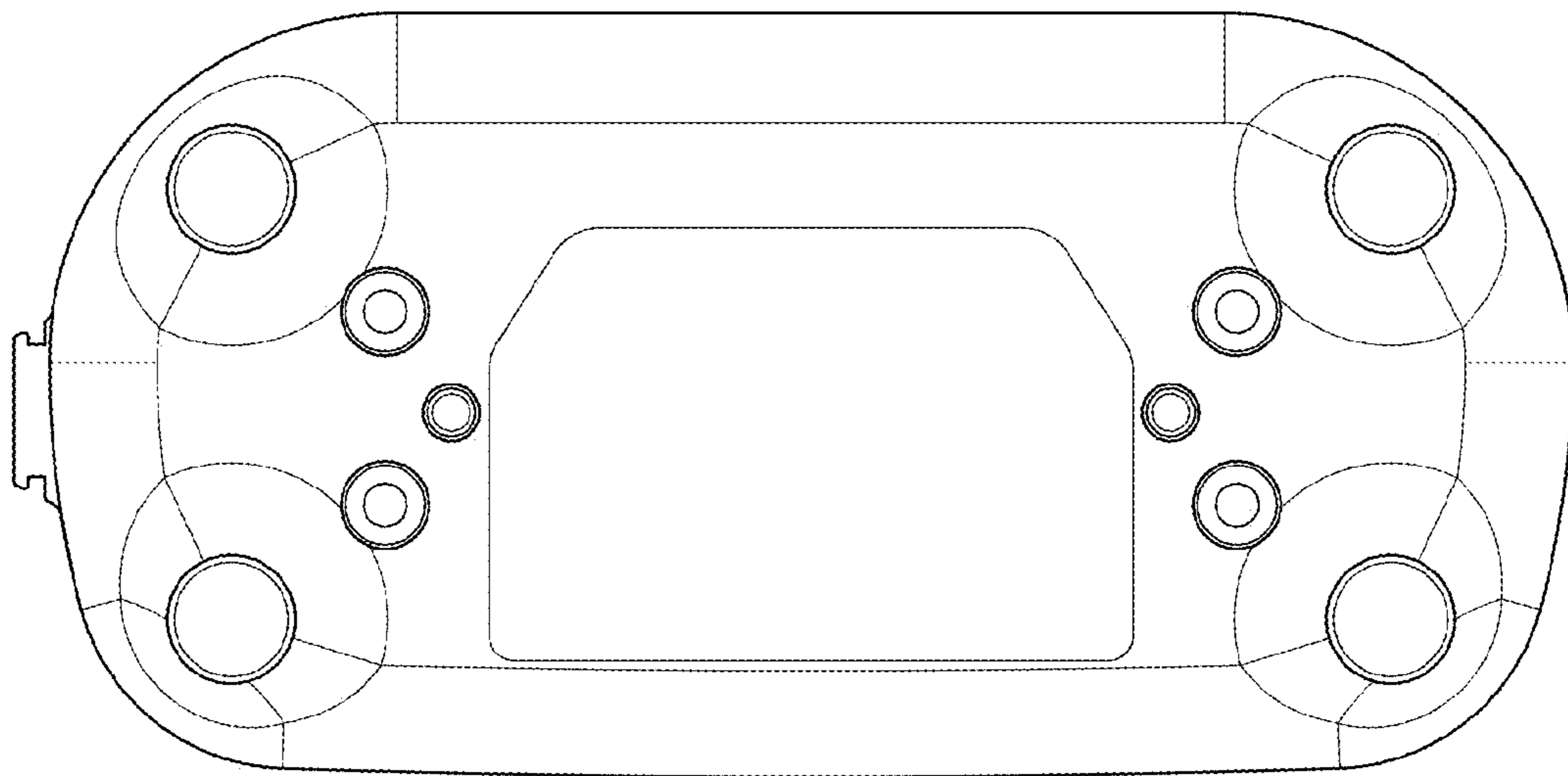


FIG. 43

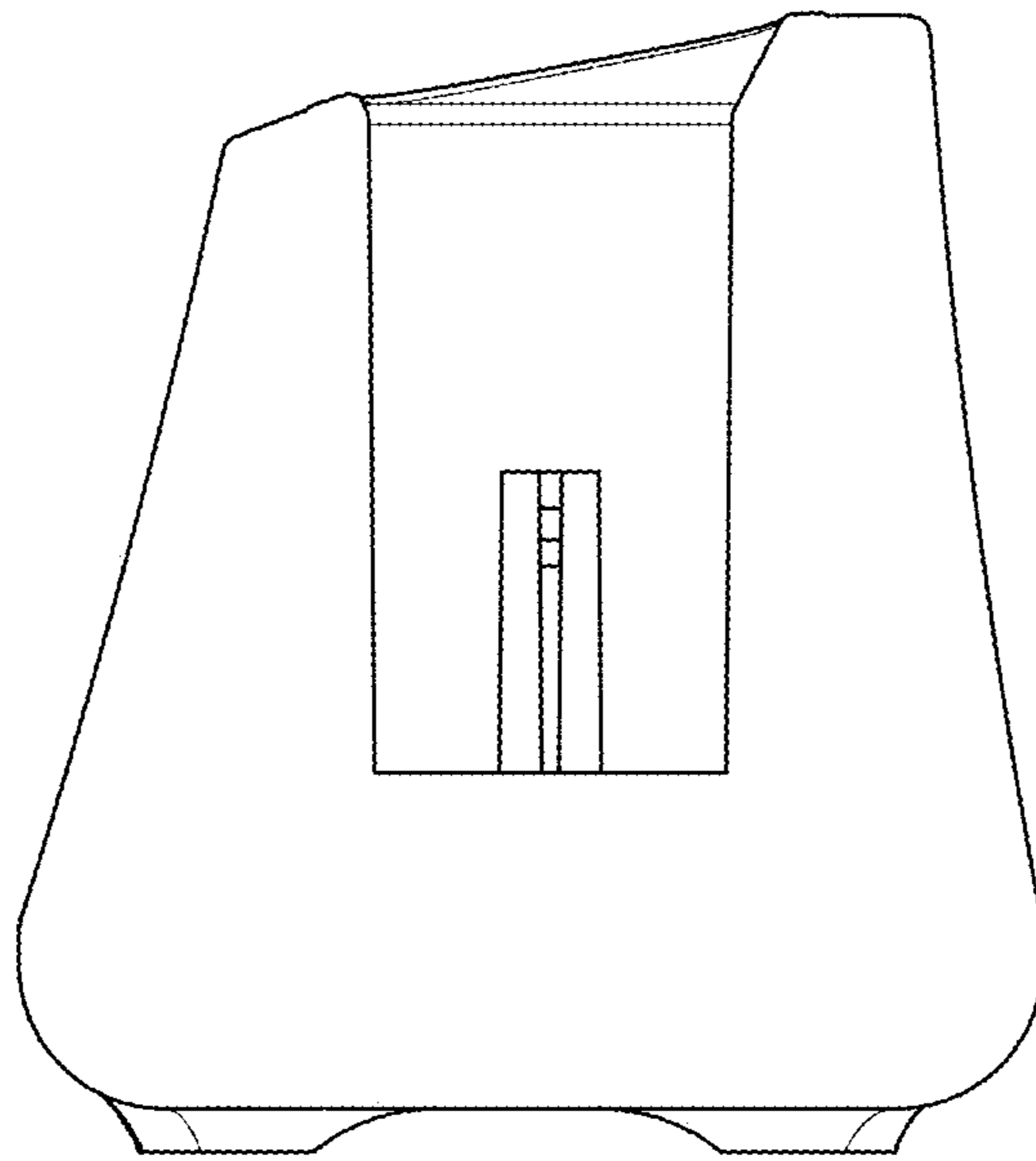


FIG. 44

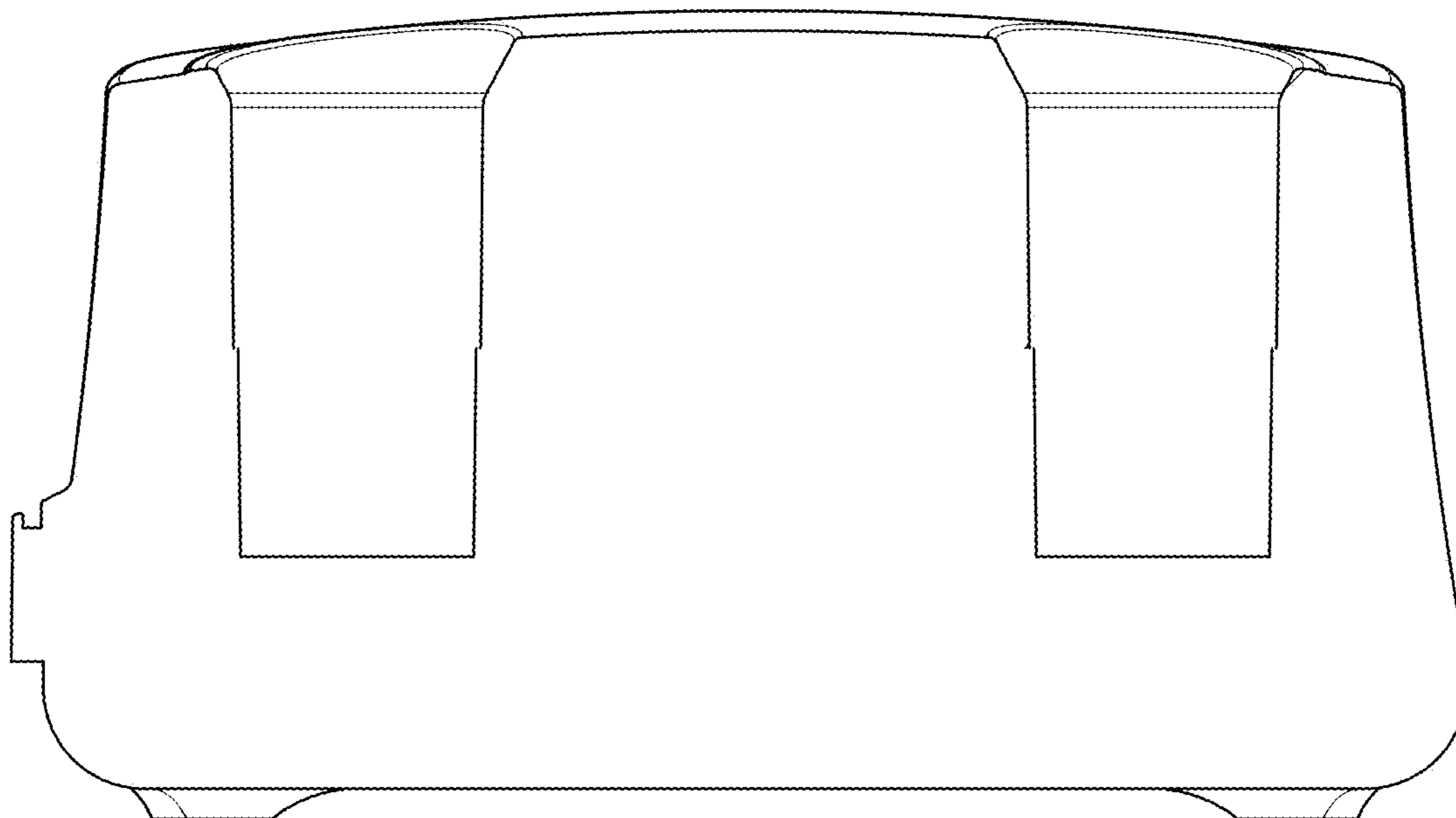


FIG. 45