



US00D926127S

(12) **United States Design Patent** (10) **Patent No.:** **US D926,127 S**  
**Brehmer et al.** (45) **Date of Patent:** **\*\* Jul. 27, 2021**

(54) **CHARGER FOR SHAVER**  
(71) Applicant: **Societe BIC**, Clichy (FR)  
(72) Inventors: **Jesper Brehmer**, Athens (GR);  
**Emmanouil Gkithonas**, Larisa (GR);  
**Triantafyllia Kottidi**, Athens (GR);  
**Nikolaos Ovvadias**, Paleo Faliro (GR);  
**Maria Petratou**, Marousi (GR)

D789,373 S \* 6/2017 King ..... D14/434  
D820,000 S \* 6/2018 Watson ..... D6/526  
D831,996 S \* 10/2018 Grabes ..... D6/526  
D870,040 S \* 12/2019 Wu ..... D13/108  
D870,381 S \* 12/2019 Dubin ..... D28/48  
D900,812 S \* 11/2020 Friedman ..... D14/357  
2002/0149566 A1 \* 10/2002 Sarkissian ..... G06F 3/0234  
345/168  
2008/0313829 A1 \* 12/2008 Dabrowski ..... A61C 17/221  
15/22.1

(73) Assignee: **Societe BIC**, Clichy (FR)

(\*\*) Term: **15 Years**

(21) Appl. No.: **29/718,265**

(22) Filed: **Dec. 23, 2019**

(51) **LOC (13) Cl.** ..... **13-02**

(52) **U.S. Cl.**  
USPC ..... **D13/108**

(58) **Field of Classification Search**  
USPC ..... D13/103, 107, 108, 109, 110, 116, 118,  
D13/119, 199; D3/205; D4/100, 101,  
D4/199; D6/524, 526, 534; D14/209.1,  
D14/224, 251, 252, 434, 447; D27/172,  
D27/183, 186, 193; D28/44, 45, 46, 48  
CPC ..... H04R 1/1025; H02J 7/342; H02J 50/00  
See application file for complete search history.

(56) **References Cited**

**U.S. PATENT DOCUMENTS**

5,994,855 A \* 11/1999 Lundell ..... A61C 17/221  
318/114  
D566,697 S \* 4/2008 Nielsen ..... D14/224  
D694,182 S \* 11/2013 Lee ..... D13/108  
D704,634 S \* 5/2014 Eidelman ..... D13/108  
D744,159 S \* 11/2015 Lukas ..... D27/183

**OTHER PUBLICATIONS**

“Lean Shaver”. Found online Jan. 25, 2021 at amazon.com. Reference dated Jul. 12, 2018. Retrieved from [https://www.behance.net/gallery/82796735/Lean?tracking\\_source=project\\_owner\\_other\\_projects](https://www.behance.net/gallery/82796735/Lean?tracking_source=project_owner_other_projects). (Year: 2018).\*

(Continued)

*Primary Examiner* — Catherine S Posthauer  
*Assistant Examiner* — Amanda Christensen  
(74) *Attorney, Agent, or Firm* — The H.T. Than Law Group

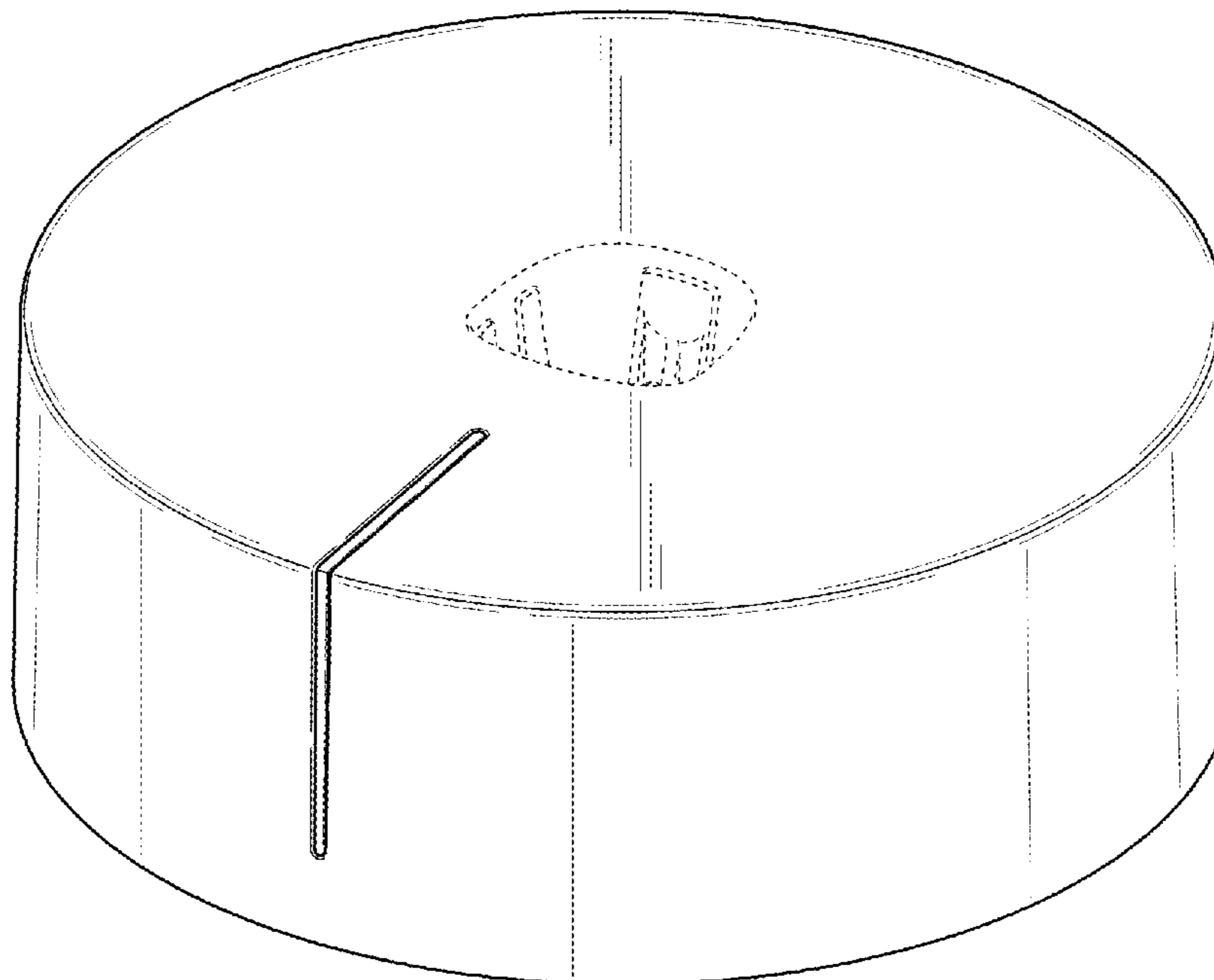
(57) **CLAIM**

We claim the ornamental design for a charger for shaver, as shown and described.

**DESCRIPTION**

FIG. 1 is a top, front, right side perspective view of a charger for shaver, showing our new design;  
FIG. 2 is a front elevation view thereof;  
FIG. 3 is a back elevation view thereof;  
FIG. 4 is a left side elevation view thereof;  
FIG. 5 is a right side elevation view thereof;  
FIG. 6 is a top plan view thereof; and,  
FIG. 7 is a bottom plan view thereof.  
The broken lines in the drawings depict portions of the charger for shaver that form no part of the claimed design.

**1 Claim, 5 Drawing Sheets**



(56)

**References Cited**

OTHER PUBLICATIONS

“BIC Flex 4 Sensitive Hybrid Men’s 4-Blade Disposable Razor”. Found online Jan. 21, 2021 at amazon.com. Reference dated Mar. 8, 2018. Retrieved from [https://www.amazon.com/dp/B007BF7ELA/ref=sspa\\_dk\\_detail\\_0](https://www.amazon.com/dp/B007BF7ELA/ref=sspa_dk_detail_0). (Year: 2018).\*

“BIC Announces The Next BIC Thing”. Found online Jan. 4, 2021 at gamingshogun.com. Reference dated Jan. 7, 2020. Retrieved from <https://gamingshogun.com/2020/01/07/bic-announces-the-next-bic-thing-at-ces-2020/>. (Year: 2020).\*

“Gillette Gillettelabs Heated Razor Starter Kit”. Found online Jan. 14, 2021 at amazon.com. Reference dated Jun. 26, 2020. Retrieved from <https://www.amazon.com/Gillette-Gillettelabs-Heated-Razor-Starter/dp/B08259N1WT?th=1>. (Year: 2020).\*

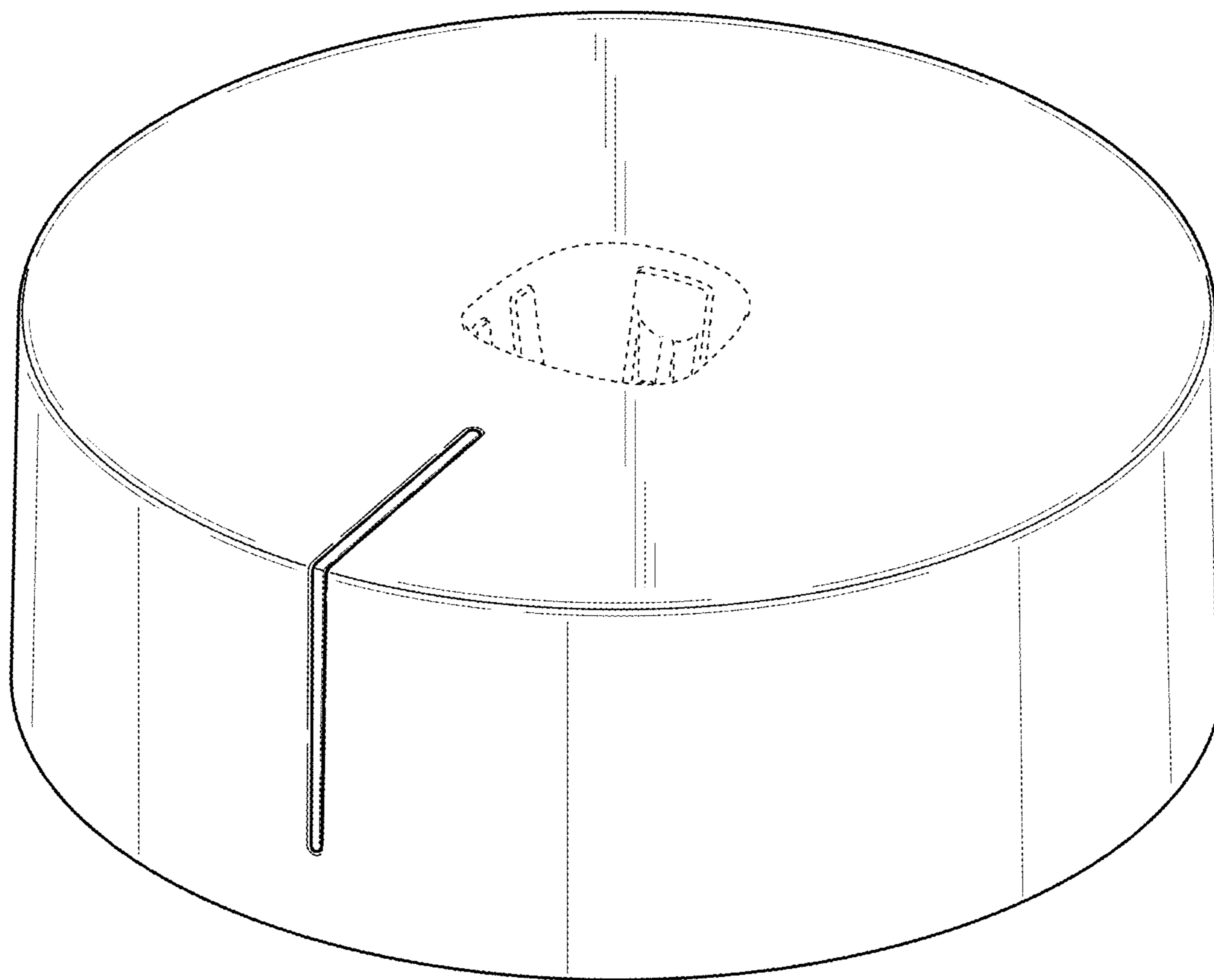
Bing “image” search of USB charger.

Heated Razor With Deluxe Travel Charging Case. <https://www.theartofshaving.com/kits-and-gifts-shaving-kits/00047400666580.html>.

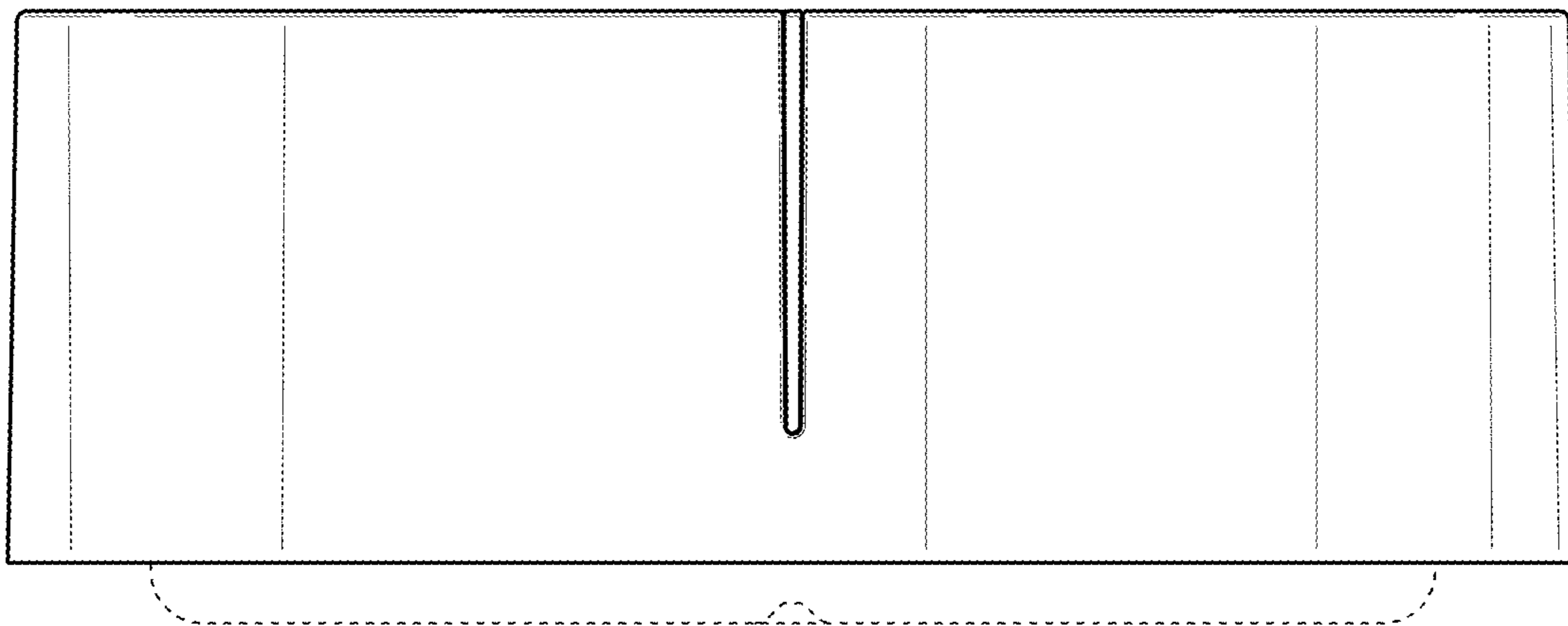
Philips Charger.

Heated Chaver Charger.

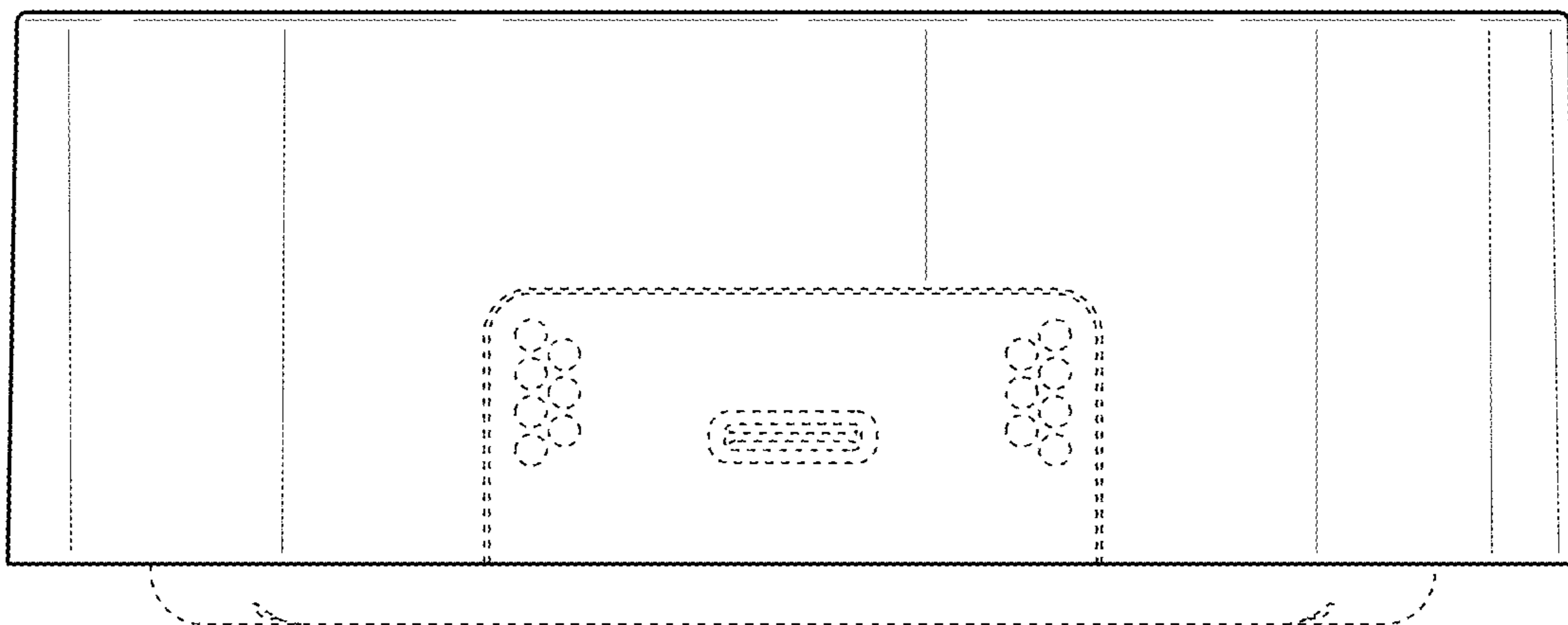
\* cited by examiner



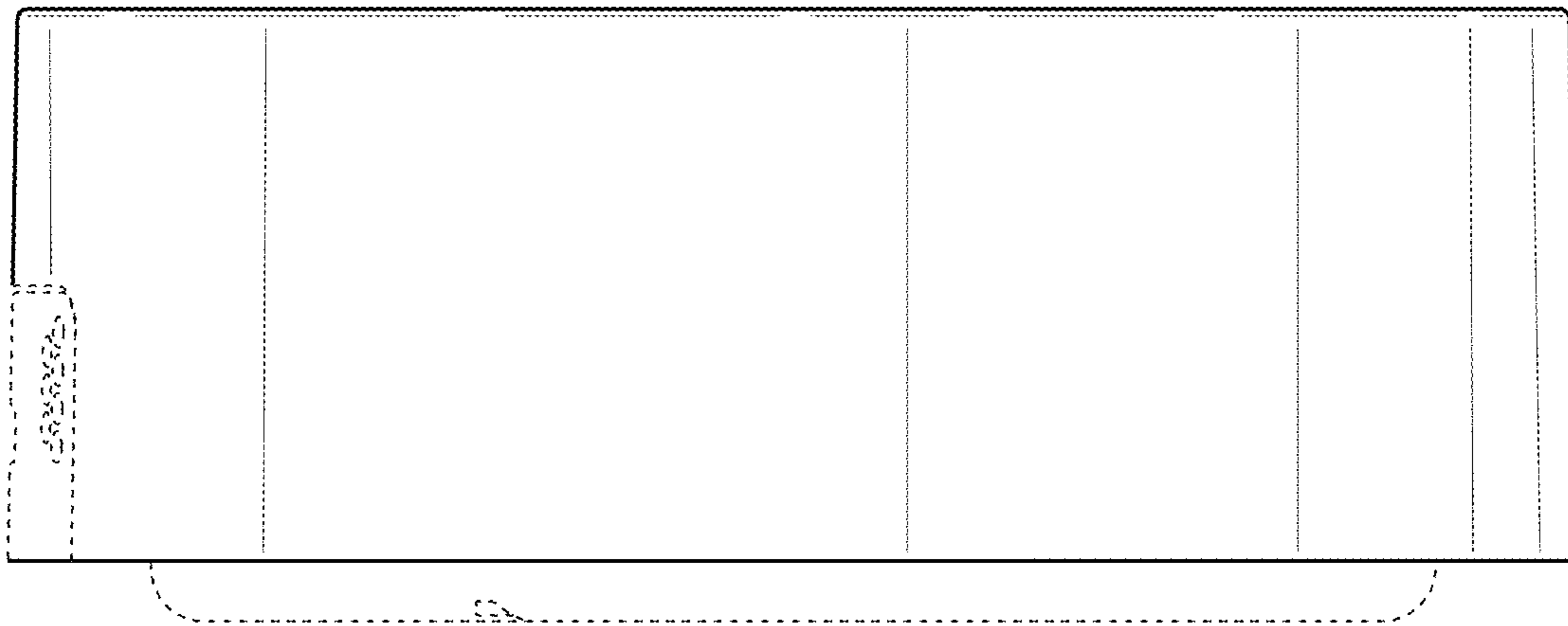
**Fig. 1**



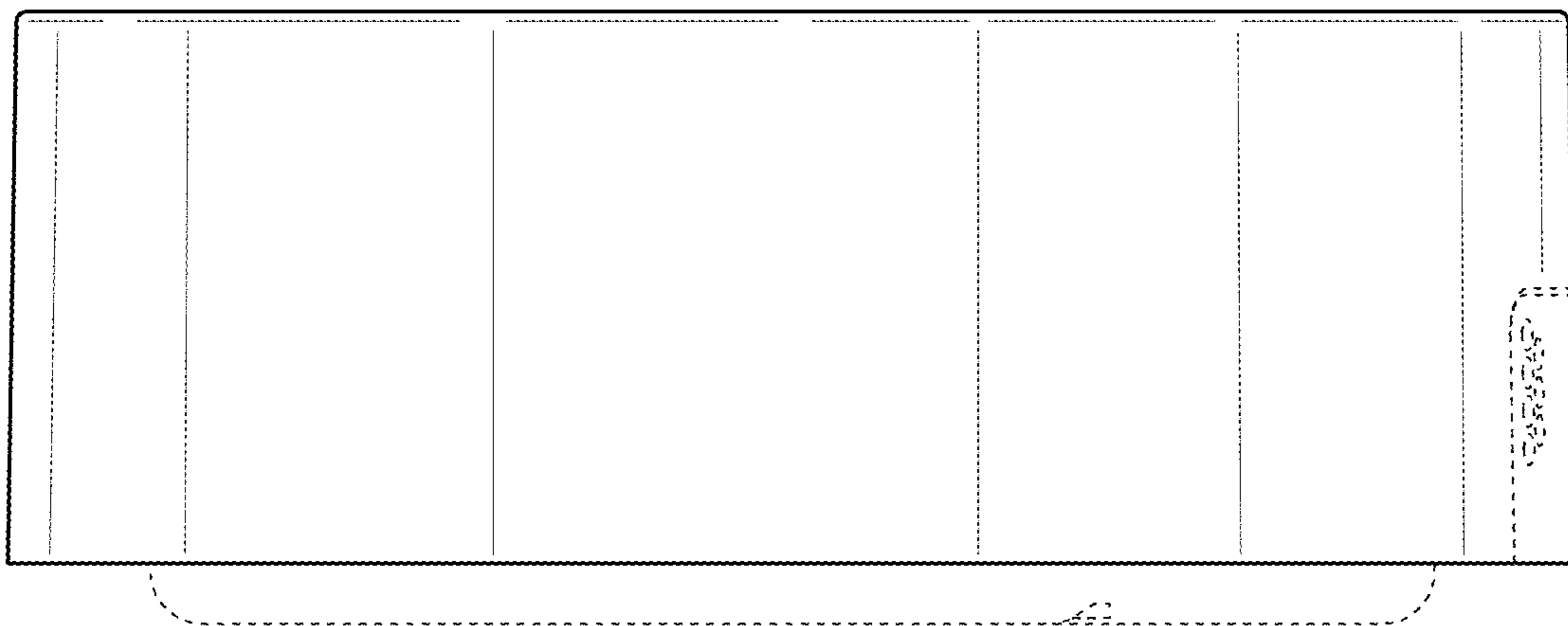
**Fig. 2**



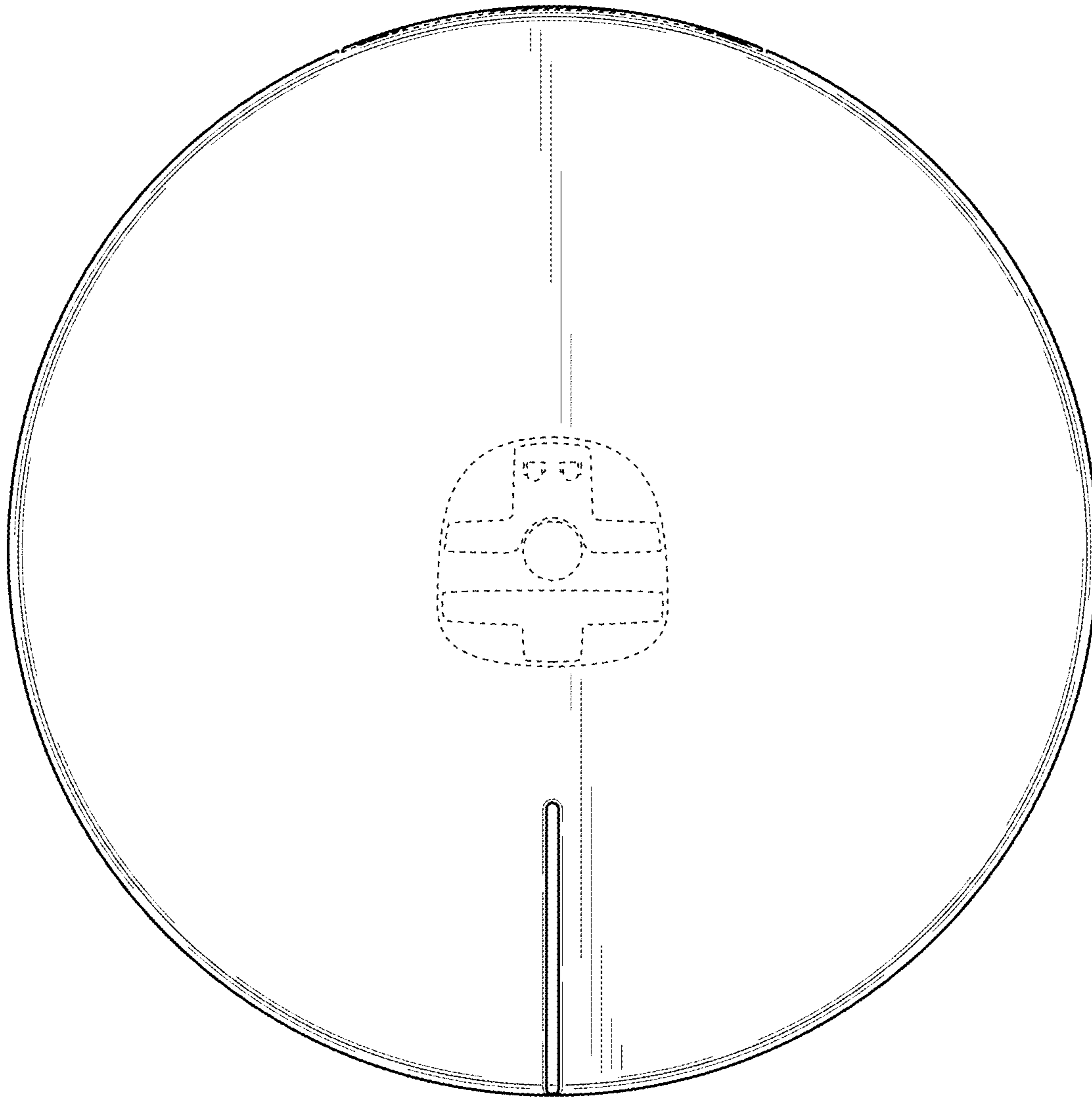
**Fig. 3**



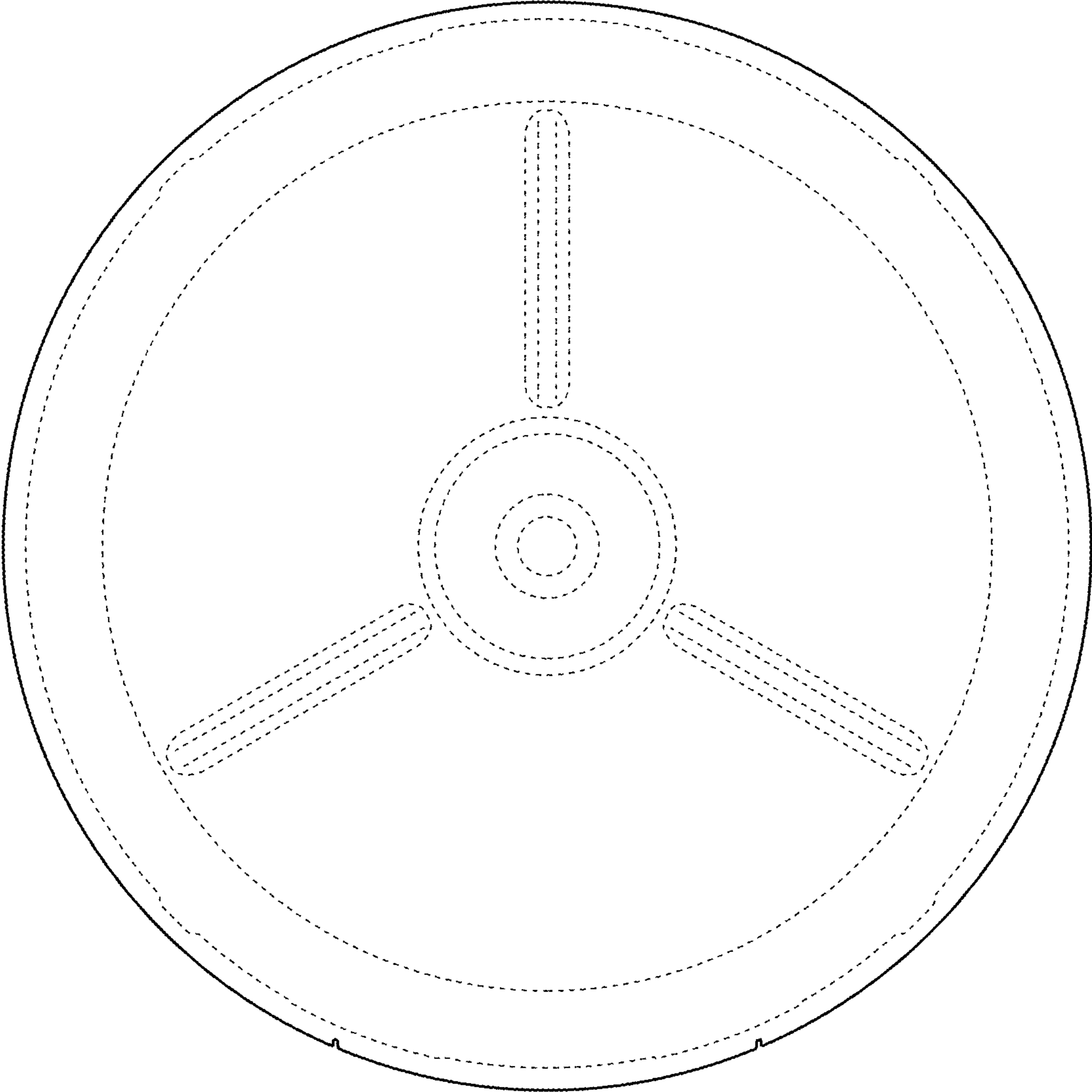
**Fig. 4**



**Fig. 5**



**Fig. 6**



**Fig. 7**