



US00D926124S

(12) **United States Design Patent**
Zhu et al.

(10) **Patent No.:** **US D926,124 S**
(45) **Date of Patent:** **** Jul. 27, 2021**

- (54) **JUMP STARTER WITH FLASHLIGHT**
- (71) Applicant: **SMARTECH INC.**, Savage, MD (US)
- (72) Inventors: **Shiqi Zhu**, Savage, MD (US); **Tao Li**, Savage, MD (US); **David Johnson**, Columbia, MD (US)
- (73) Assignee: **SMARTECH INC.**, Savage, MD (US)
- (**) Term: **15 Years**
- (21) Appl. No.: **29/705,590**
- (22) Filed: **Sep. 13, 2019**
- (51) **LOC (13) Cl.** **13-02**
- (52) **U.S. Cl.**
USPC **D13/107**
- (58) **Field of Classification Search**
USPC D13/102–110, 118, 119, 184, 199;
D15/9
CPC Y02E 60/12; Y02E 60/122; Y02E 60/124;
Y02E 60/50; H01M 2/02; H01M 2/022;
H01M 2/0202; H01M 2/0207; H01M
2/0212; H01M 2/1061; H01M 2/1022;
H01M 2/1055; H01M 2/1066; H01M
2/105; H01M 2/204; H01M 2/10; H01M
10/4257; H01M 10/0436; H01M 10/48;
H01M 10/44; H01M 10/46; H01M
10/425; H01M 2200/30; H01M 2250/30;
H01M 2250/40; H02J 7/00; H02J 7/0003;
H02J 7/0011; H02J 7/0013; H02J 7/0054;
H02J 7/0055; H02J 7/0057; H02J 7/0034;
H02J 7/1423; H02J 7/025; H02J 7/0042;
H02J 7/0044; H02J 7/0045; H02G 15/18;
H02G 15/1826; H01R 13/516; H01R
13/518; H01R 13/52; H01R 13/46; H01R
13/50; H01R 13/506; H01R 13/5213;
H01R 13/6675; Y02T 10/7005; Y02T
10/705; Y02T 10/7088

See application file for complete search history.

(56) **References Cited**

U.S. PATENT DOCUMENTS

- D743,332 S * 11/2015 Ju D13/108
 - D803,151 S * 11/2017 Zhou D13/107
- (Continued)

OTHER PUBLICATIONS

Amazon.com: GOOLOO Upgraded 2000A Peak SuperSafe Car Jump Starter with USB Quick Charge 3.0 . . . Date First Available of Jul. 26, 2017. Retrieved from the internet at <<https://www.amazon.com/GOOLOO-SuperSafe-Starter-Portable-Flashlight/dp/B07BLM981K/>>, Sep. 22, 2020. 1 page. (Year: 2017).*

(Continued)

Primary Examiner — Christy Nemeth

(74) *Attorney, Agent, or Firm* — Welsh Flaxman & Gitler LLC

(57) **CLAIM**

The ornamental design for a jump starter with flashlight, as shown and described.

DESCRIPTION

FIG. 1 is a top perspective view of the jump starter with flashlight.

FIG. 2 is an exploded top perspective view of the jump starter with flashlight shown in FIG. 1, with the cover removed.

FIG. 3 is a front view of the jump starter with flashlight.

FIG. 4 is a rear view of the jump starter with flashlight.

FIG. 5 is a top view of jump starter with flashlight.

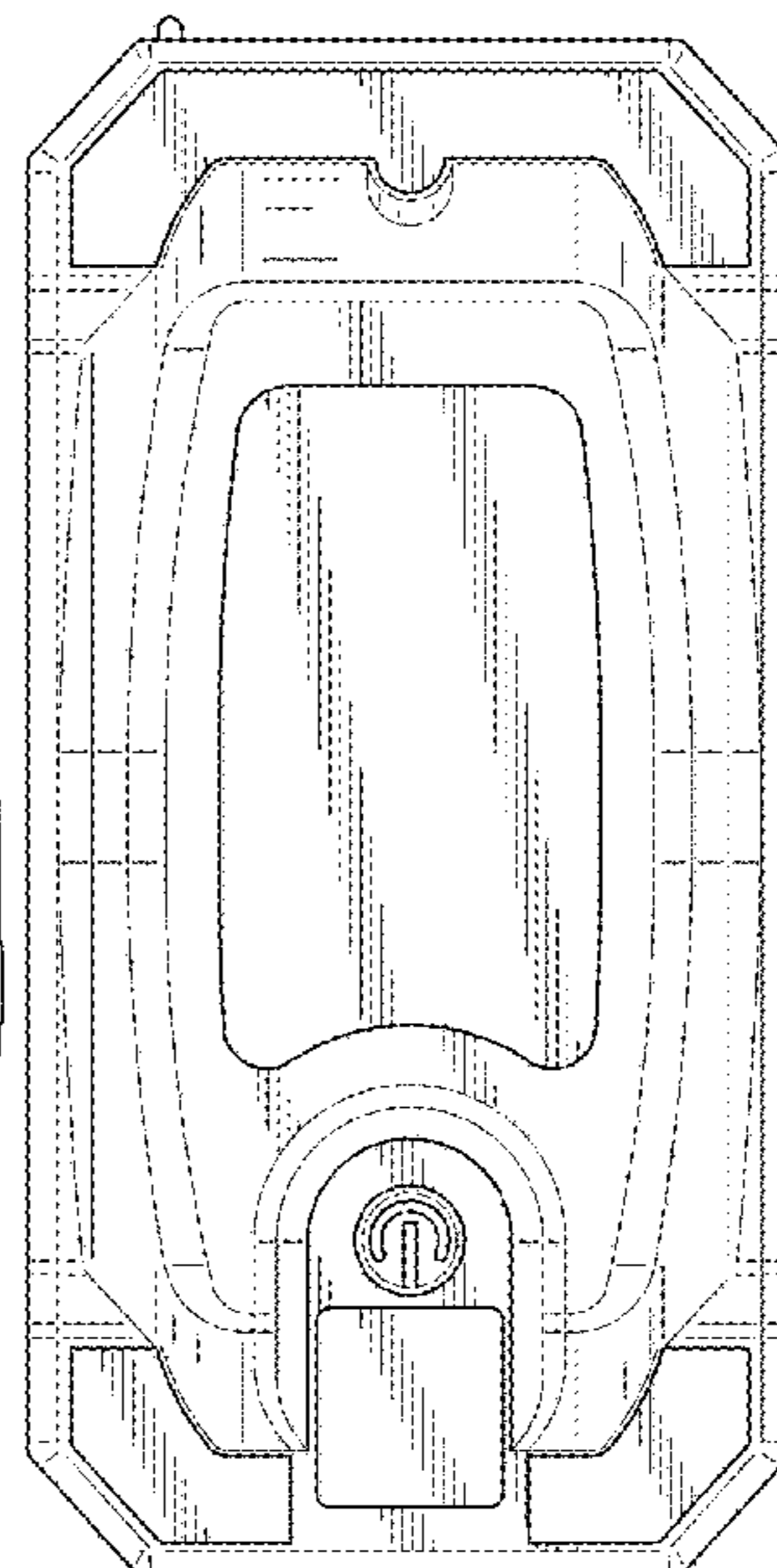
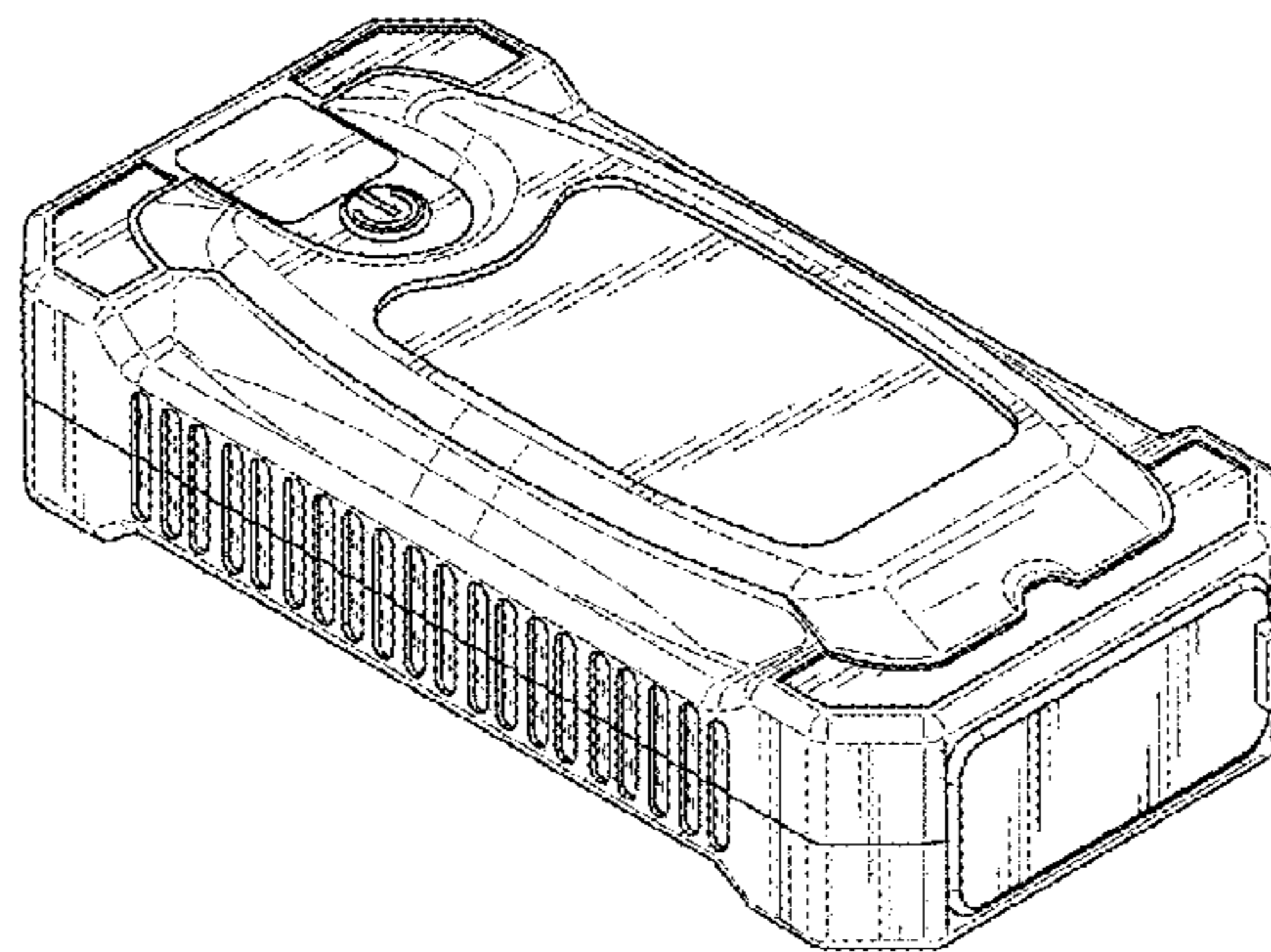
FIG. 6 is a bottom view of the jump starter with flashlight.

FIG. 7 is a side view of the jump starter with flashlight; and,

FIG. 8 is an opposite side view of the jump starter with flashlight to that shown in FIG. 7.

The broken lines in FIGS. 3 and 6 are for the purpose of illustrating portions of the article which form no part of the claimed design.

1 Claim, 4 Drawing Sheets



(56)

References Cited

U.S. PATENT DOCUMENTS

D809,454	S	*	2/2018	Zhou	D13/103
D813,162	S	*	3/2018	Krantz	D13/110
D832,781	S	*	11/2018	Nook	D13/107
D839,185	S	*	1/2019	Jiang	D13/107
D845,229	S	*	4/2019	Chen	D13/103
D851,586	S	*	6/2019	Liu	D13/108
D867,985	S	*	11/2019	Nook	D13/107
D872,011	S	*	1/2020	Rao	D13/107
D872,012	S	*	1/2020	Rao	D13/107
D874,396	S	*	2/2020	Rao	D13/107
D884,608	S	*	5/2020	Gan	D13/107
D884,609	S	*	5/2020	Gan	D13/107
D885,329	S	*	5/2020	Gan	D13/107
D885,330	S	*	5/2020	Gan	D13/107
D886,048	S	*	6/2020	Gan	D13/107
D889,398	S	*	7/2020	Gan	D13/107
D890,698	S	*	7/2020	Liu	D13/108
D892,727	S	*	8/2020	Gan	D13/107

OTHER PUBLICATIONS

Homedepot.com: Smartech Products 8000 mAh Lithium Powered . . . Customer Question Date of Sep. 3, 2019. Retrieved from the internet at <<https://www.homedepot.com/p/Smartech-Products-8000-mAh-Lithium-Powered-Vehicle-Jump-Starter-and-Power-Bank-JS-8000N/309462557>>, Sep. 22, 2020. 1 page. (Year: 2019).*

* cited by examiner

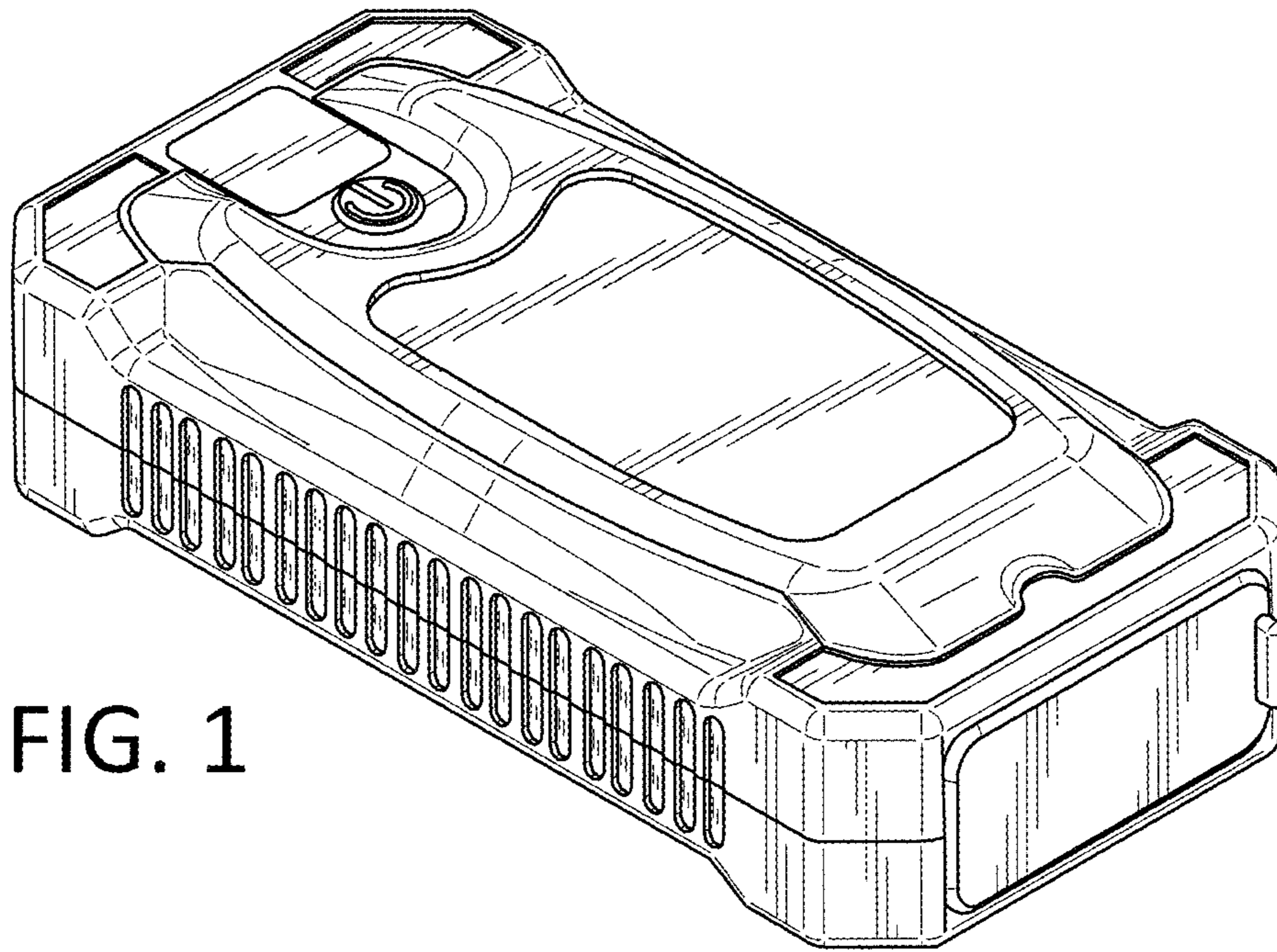


FIG. 1

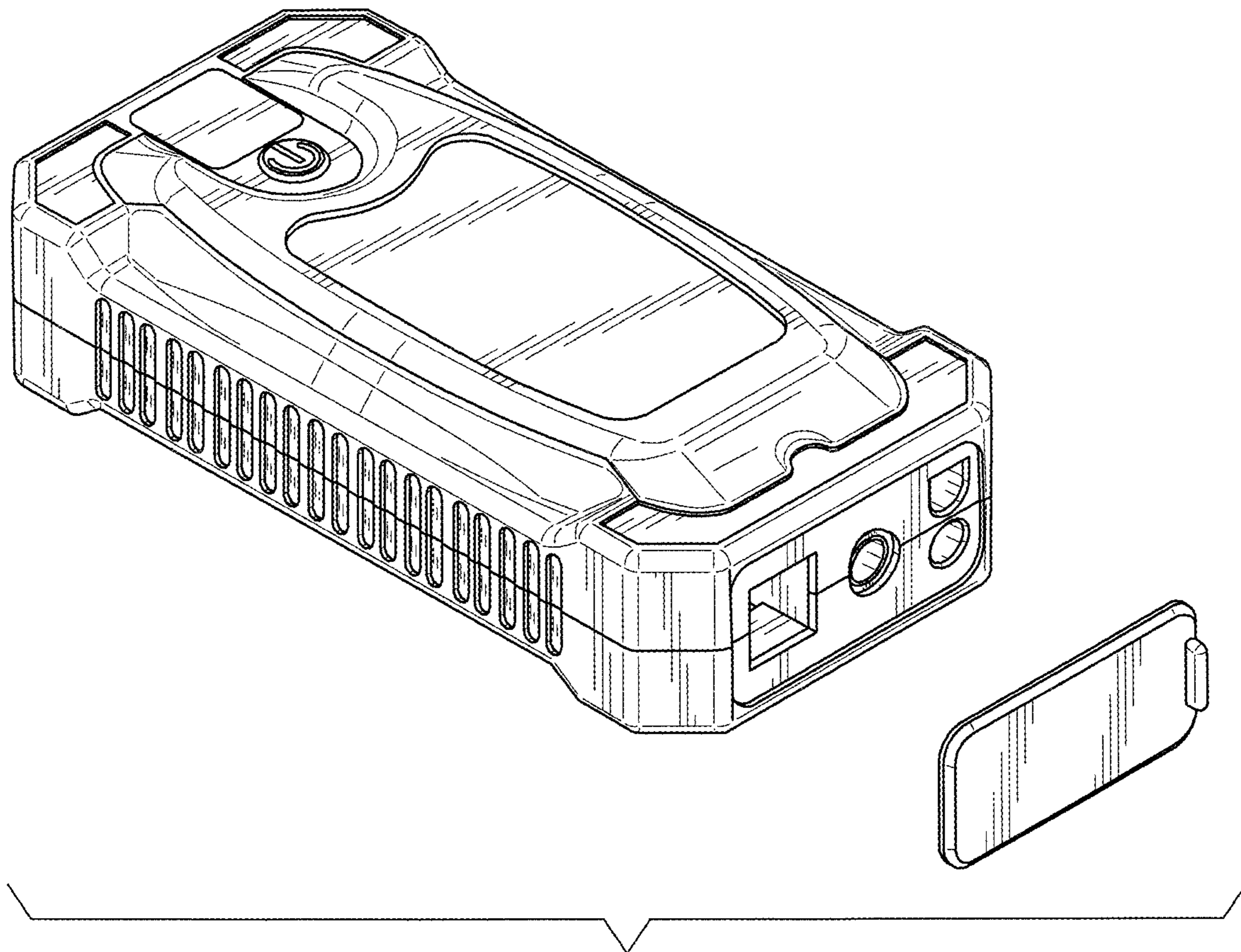


FIG. 2

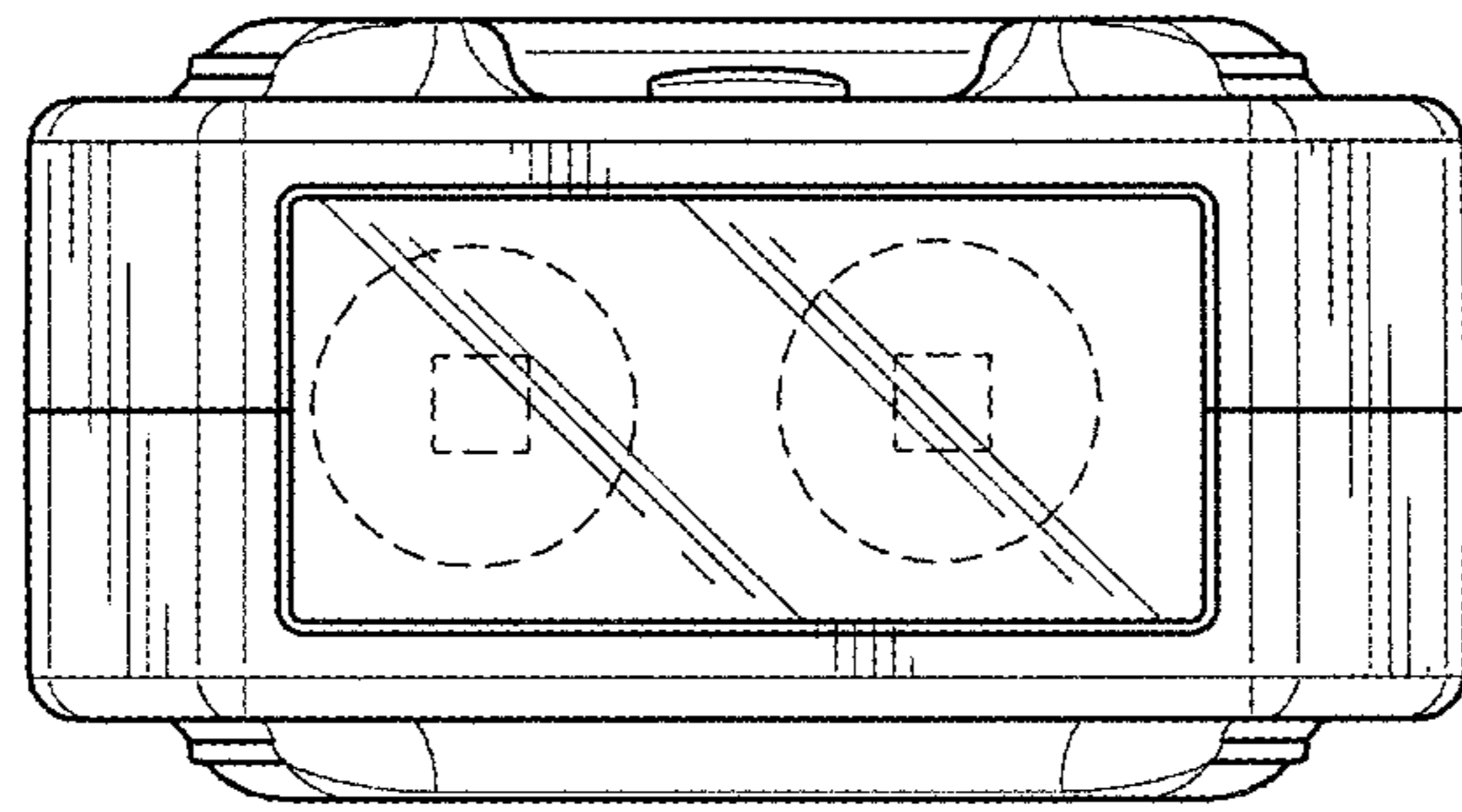


FIG. 3

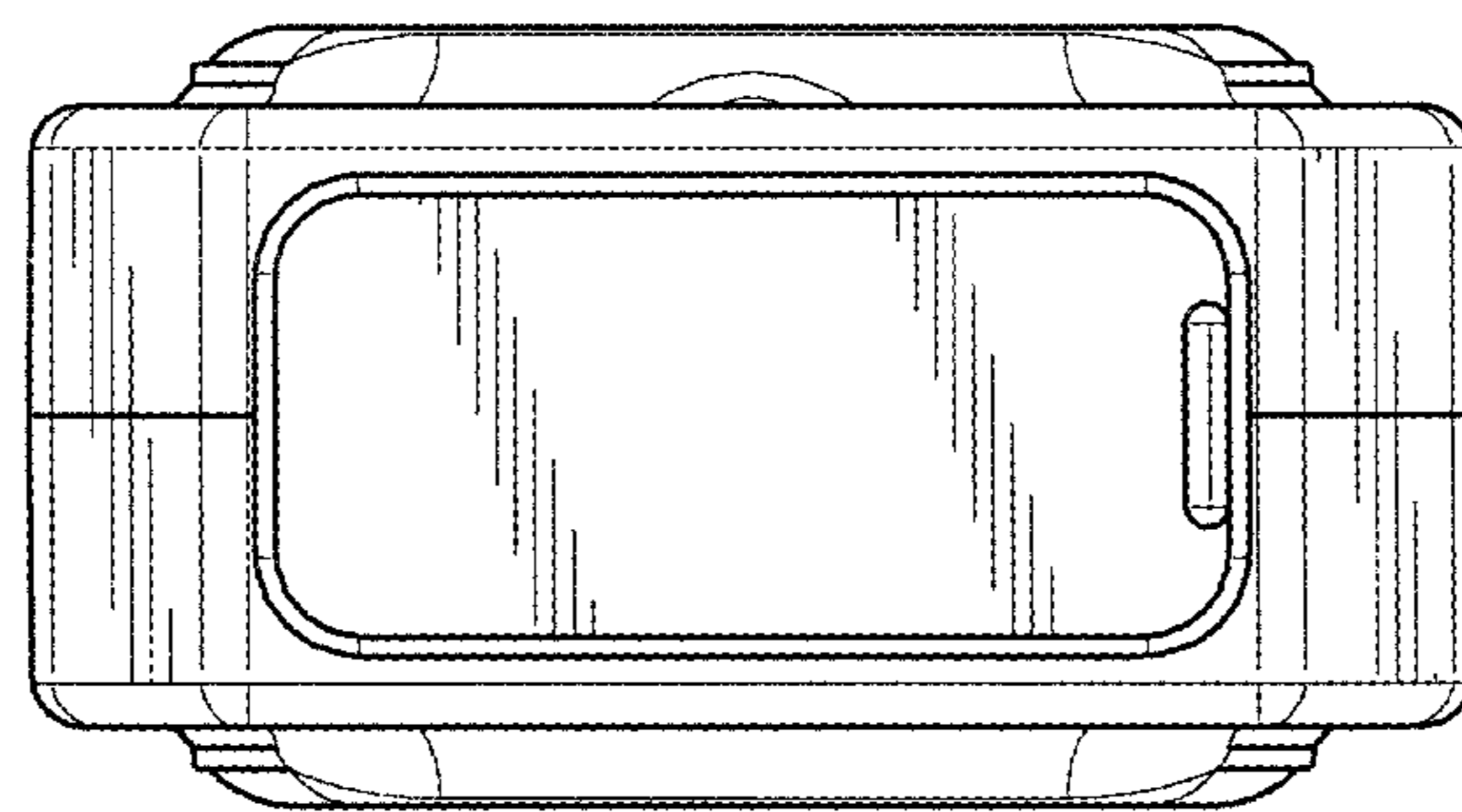


FIG. 4

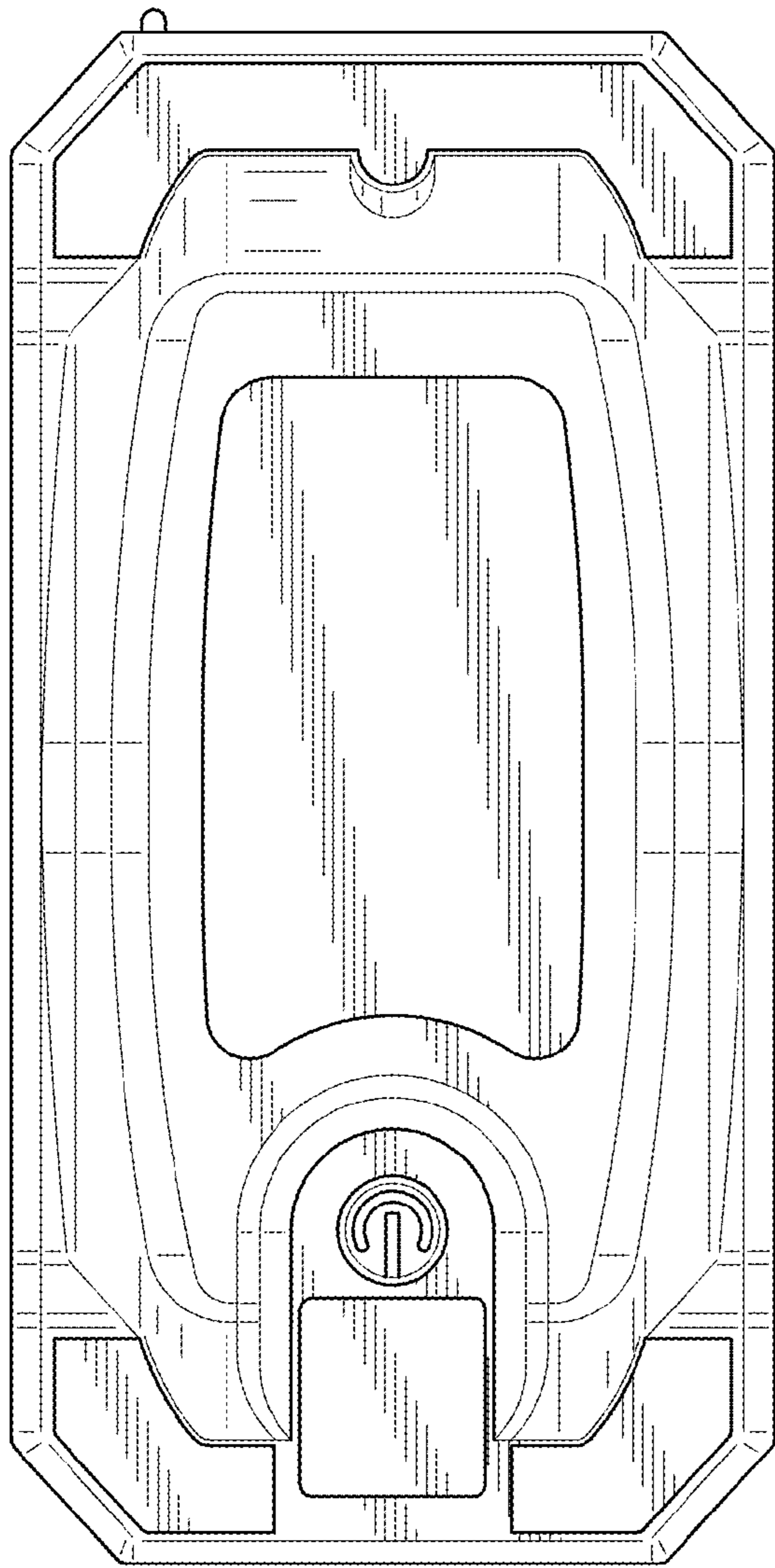


FIG. 5

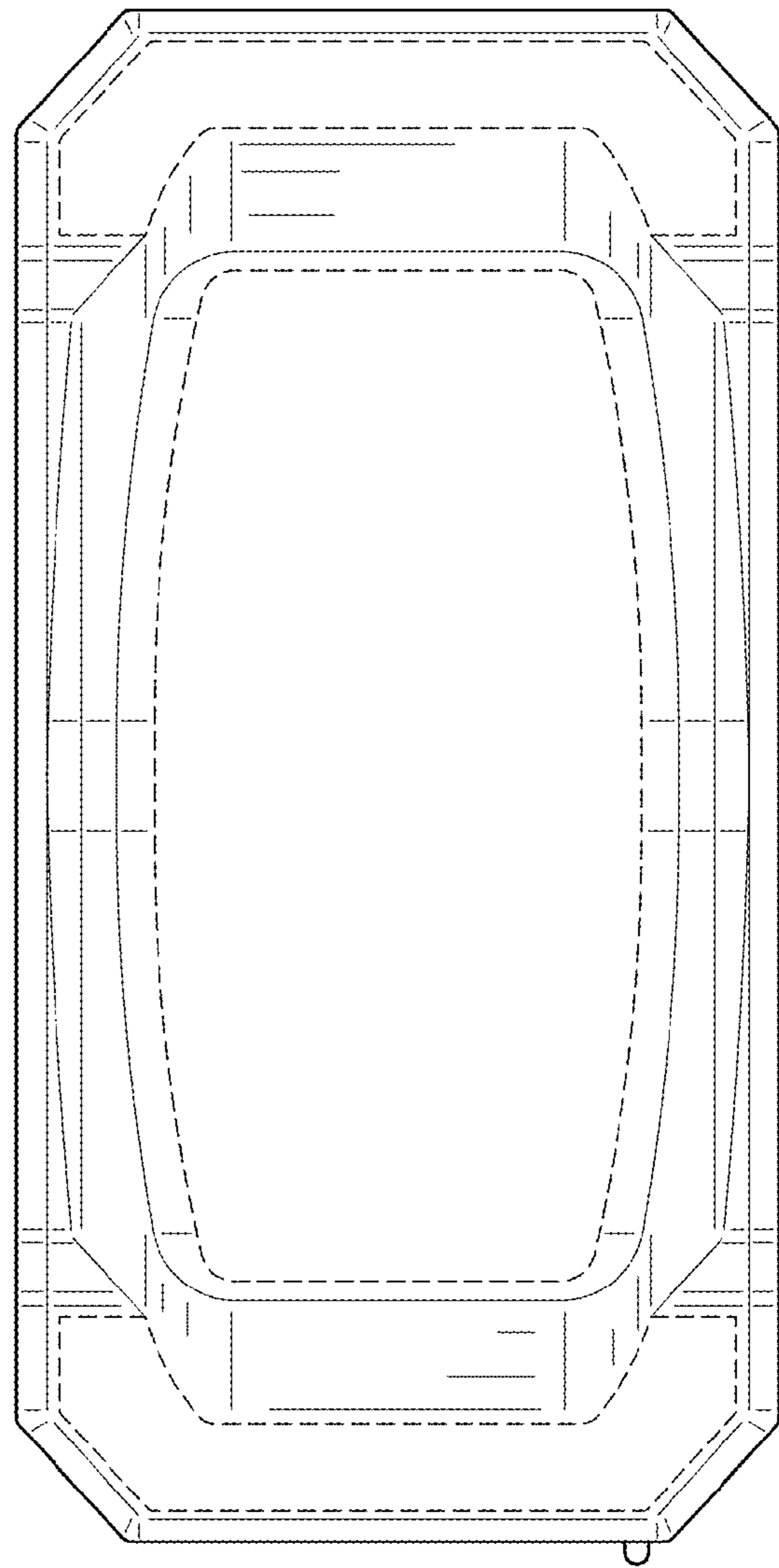


FIG. 6

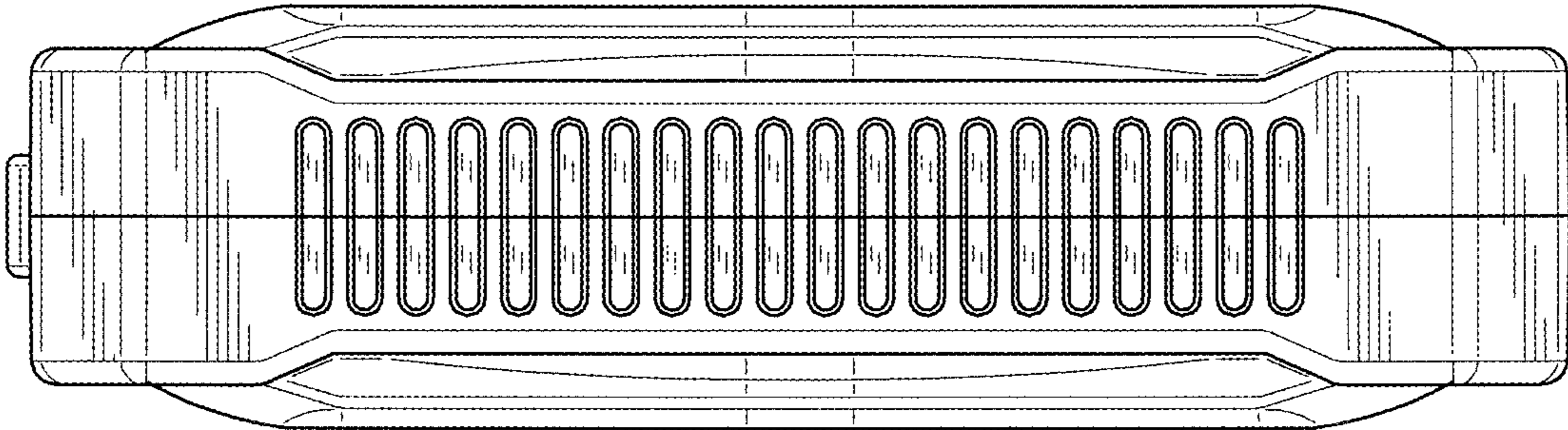


FIG. 7

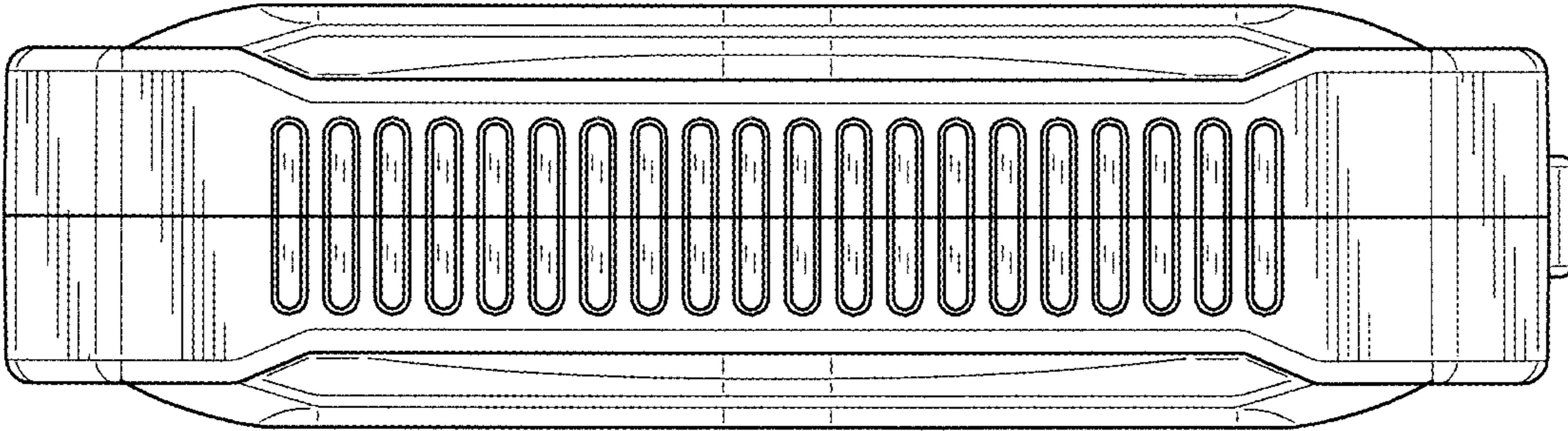


FIG. 8