



US00D926123S

(12) **United States Design Patent**  
**Zhu et al.**

(10) **Patent No.:** **US D926,123 S**  
(45) **Date of Patent:** **\*\* Jul. 27, 2021**

- (54) **JUMP STARTER WITH FLASHLIGHT**
- (71) Applicant: **SMARTECH INC.**, Savage, MD (US)
- (72) Inventors: **Shiqi Zhu**, Savage, MD (US); **Tao Li**, Savage, MD (US); **David Johnson**, Columbia, MD (US)
- (73) Assignee: **SMARTECH INC.**, Savage, MD (US)
- (\*\*) Term: **15 Years**
- (21) Appl. No.: **29/705,588**
- (22) Filed: **Sep. 13, 2019**
- (51) **LOC (13) Cl.** ..... **13-02**
- (52) **U.S. Cl.**  
USPC ..... **D13/107**
- (58) **Field of Classification Search**  
USPC ..... D13/102-110, 118, 119, 184, 199;  
D15/9  
CPC ..... Y02E 60/12; Y02E 60/122; Y02E 60/124;  
Y02E 60/50; H01M 2/02; H01M 2/022;  
H01M 2/0202; H01M 2/0207; H01M  
2/0212; H01M 2/1061; H01M 2/1022;  
H01M 2/1055; H01M 2/1066; H01M  
2/105; H01M 2/204; H01M 2/10; H01M  
10/4257; H01M 10/0436; H01M 10/48;  
H01M 10/44; H01M 10/46; H01M  
10/425; H01M 2200/30; H01M 2250/30;  
H01M 2250/40; H02J 7/00; H02J 7/0003;  
H02J 7/0011; H02J 7/0013; H02J 7/0054;  
H02J 7/0055; H02J 7/0057; H02J 7/0034;  
H02J 7/1423; H02J 7/025; H02J 7/0042;  
H02J 7/0044; H02J 7/0045; H02G 15/18;  
H02G 15/1826; H01R 13/516; H01R  
13/518; H01R 13/52; H01R 13/46; H01R  
13/50; H01R 13/506; H01R 13/5213;  
H01R 13/6675; Y02T 10/7005; Y02T  
10/705; Y02T 10/7088

See application file for complete search history.

(56) **References Cited**

U.S. PATENT DOCUMENTS

D743,332 S \* 11/2015 Ju ..... D13/108  
D803,151 S \* 11/2017 Zhou ..... D13/107

(Continued)

OTHER PUBLICATIONS

Amazon.com: GOOLOO Upgraded 2000A Peak SuperSafe Car Jump Starter with USB Quick Charge 3.0 . . . Date First Available of Jul. 26, 2017. Retrieved from the internet at <<https://www.amazon.com/GOOLOO-SuperSafe-Starter-Portable-Flashlight/dp/B07BLM981K/>>, Sep. 22, 2020. 1 page. (Year: 2017).\*

(Continued)

*Primary Examiner* — Christy Nemeth  
(74) *Attorney, Agent, or Firm* — Welsh Flaxman Gitler LLC

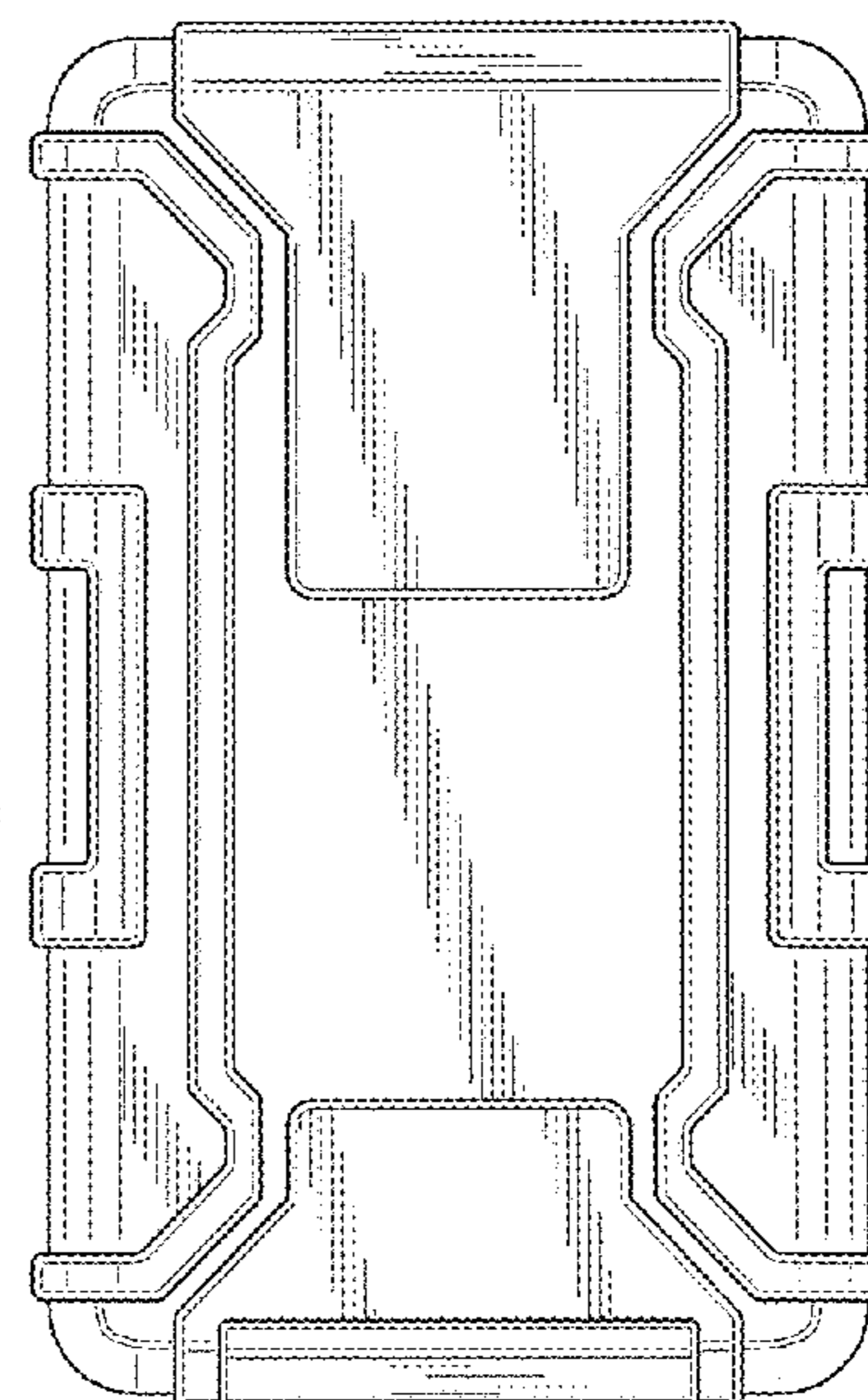
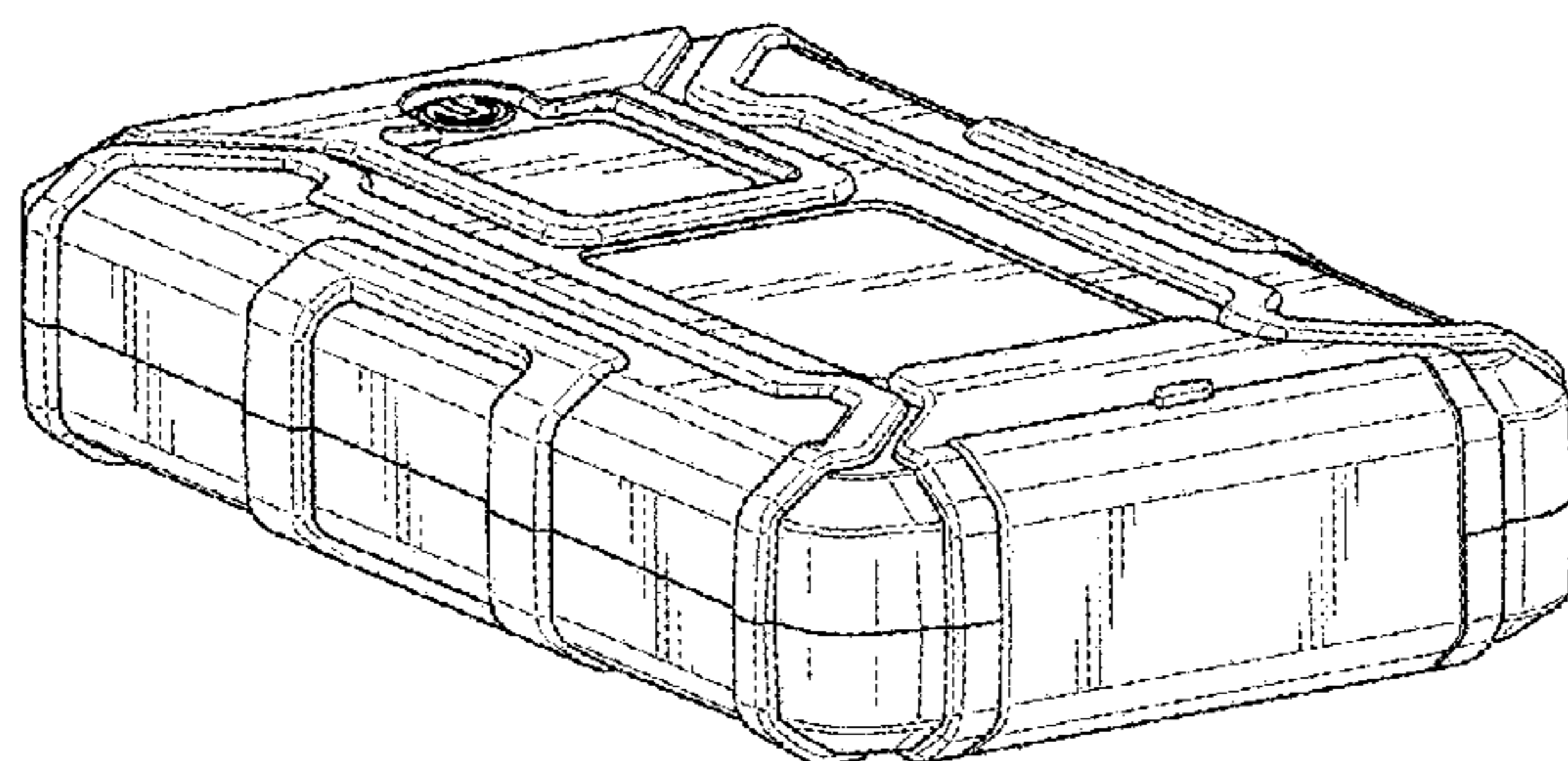
(57) **CLAIM**

The ornamental design for a jump starter with flashlight, as shown and described.

**DESCRIPTION**

FIG. 1 is a top perspective view of the jump starter with flashlight.  
FIG. 2 is an exploded top perspective view of the jump starter with flashlight shown in FIG. 1, with the cover removed.  
FIG. 3 is a front view of the jump starter with flashlight.  
FIG. 4 is a rear view of the jump starter with flashlight.  
FIG. 5 is a top view of jump starter with flashlight.  
FIG. 6 is a bottom view of the jump starter with flashlight.  
FIG. 7 is a side view of the jump starter with flashlight; and, FIG. 8 is an opposite side view of the jump starter with flashlight to that shown in FIG. 7.  
The broken lines in the drawings are for the purpose of illustrating portions of the article that form no part of the claimed design.

**1 Claim, 4 Drawing Sheets**



(56)

**References Cited**

## U.S. PATENT DOCUMENTS

D809,454	S	*	2/2018	Zhou	.....	D13/103
D813,162	S	*	3/2018	Krantz	.....	D13/110
D832,781	S	*	11/2018	Nook	.....	D13/107
D839,185	S	*	1/2019	Jiang	.....	D13/107
D845,229	S	*	4/2019	Chen	.....	D13/103
D851,586	S	*	6/2019	Liu	.....	D13/108
D867,985	S	*	11/2019	Nook	.....	D13/107
D872,011	S	*	1/2020	Rao	.....	D13/107
D872,012	S	*	1/2020	Rao	.....	D13/107
D874,396	S	*	2/2020	Rao	.....	D13/107
D884,608	S	*	5/2020	Gan	.....	D13/107
D884,609	S	*	5/2020	Gan	.....	D13/107
D885,329	S	*	5/2020	Gan	.....	D13/107
D885,330	S	*	5/2020	Gan	.....	D13/107
D886,048	S	*	6/2020	Gan	.....	D13/107
D889,398	S	*	7/2020	Gan	.....	D13/107
D890,698	S	*	7/2020	Liu	.....	D13/108
D892,727	S	*	8/2020	Gan	.....	D13/107

## OTHER PUBLICATIONS

Homedepot.com: Smartech Products 8000 mAh Lithium Powered . . . Customer Question Date of Sep. 3, 2019. Retrieved from the internet at <<https://www.homedepot.com/p/Smartech-Products-8000-mAh-Lithium-Powered-Vehicle-Jump-Starter-and-Power-Bank-JS-8000N/309462557>>, Sep. 22, 2020. 1 page. (Year: 2019).\*

\* cited by examiner

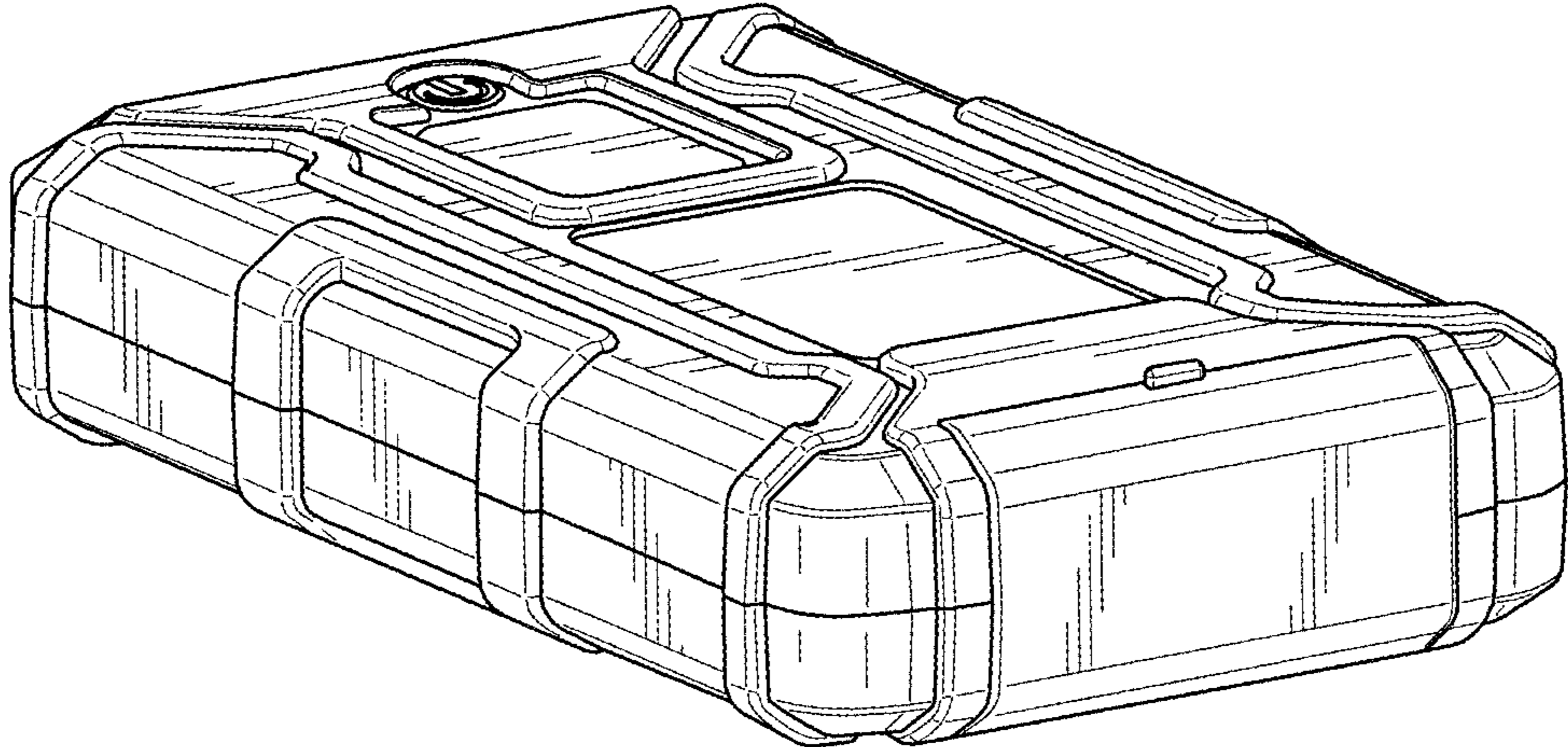


FIG. 1

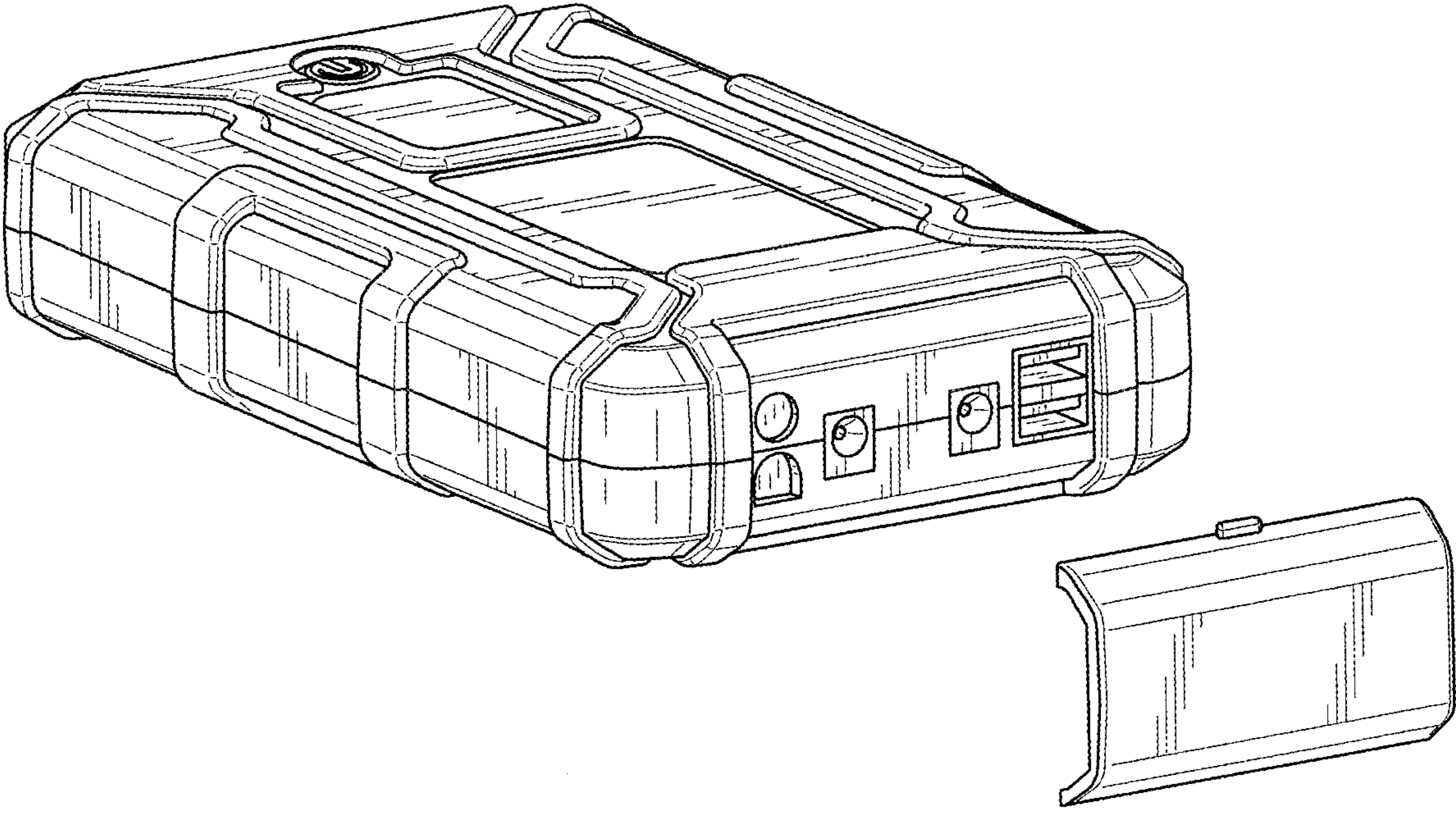


FIG. 2

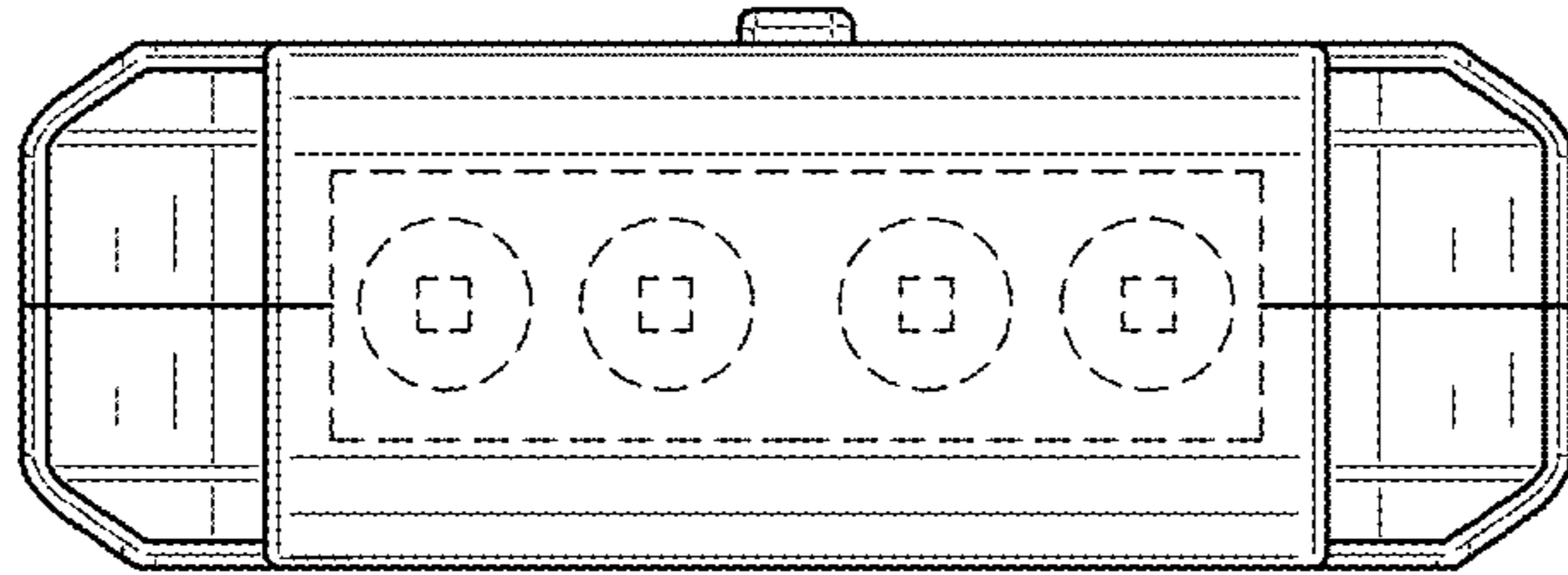


FIG. 3

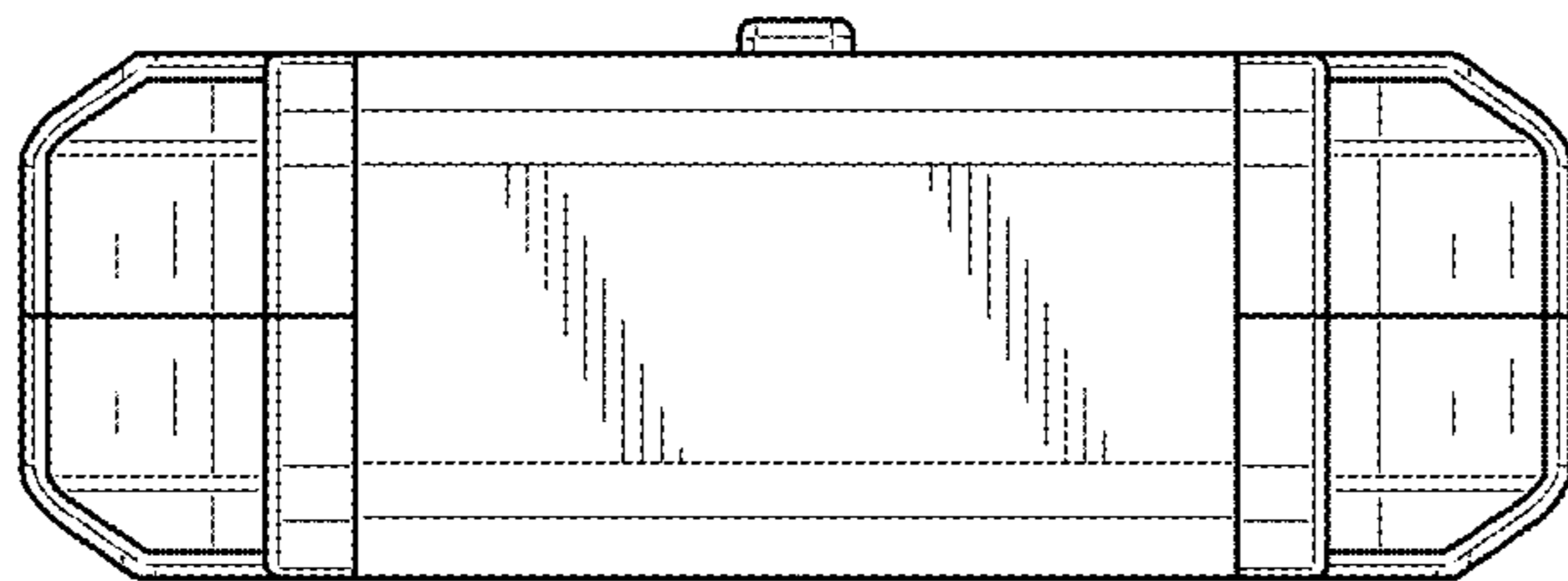


FIG. 4

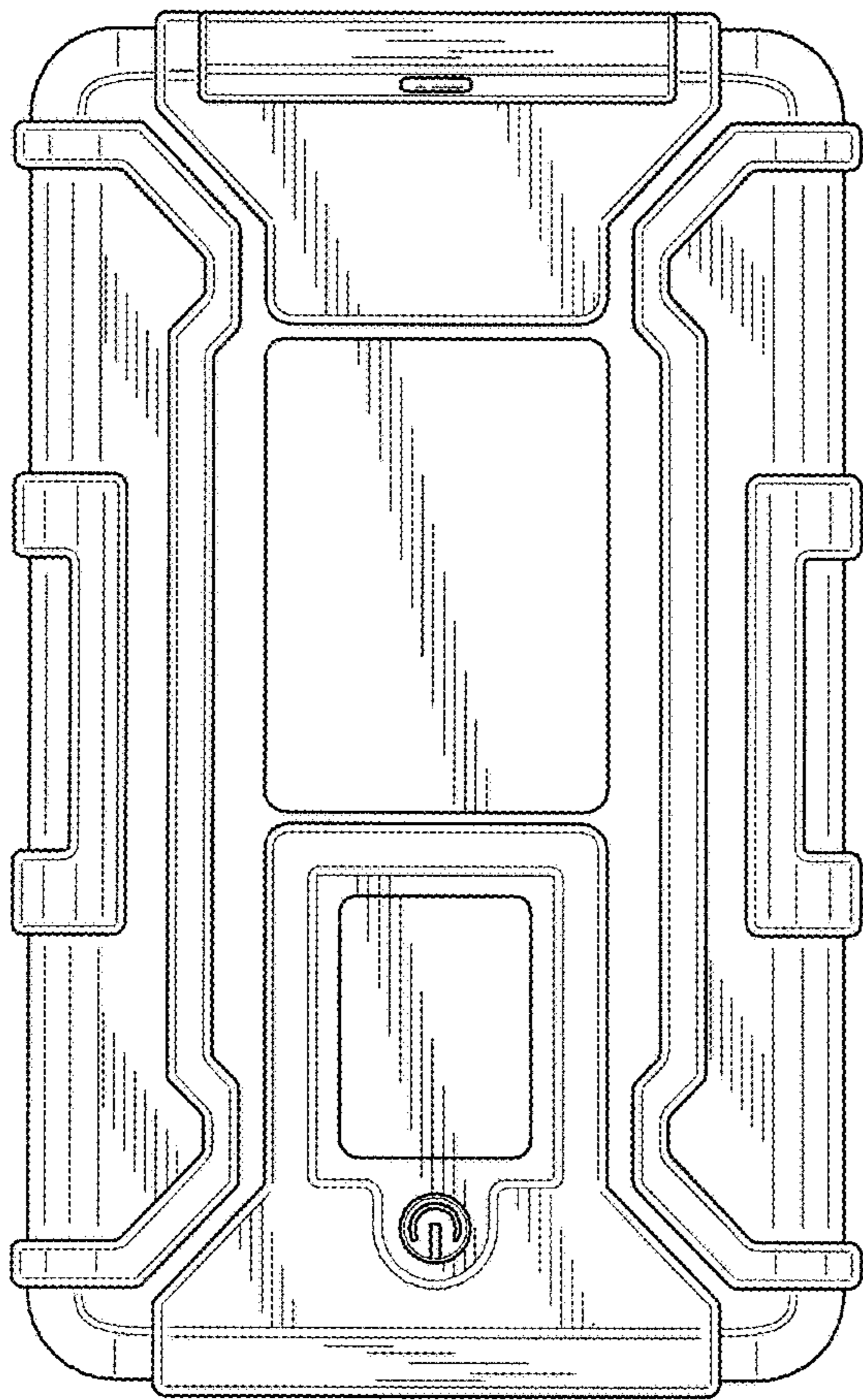


FIG. 5

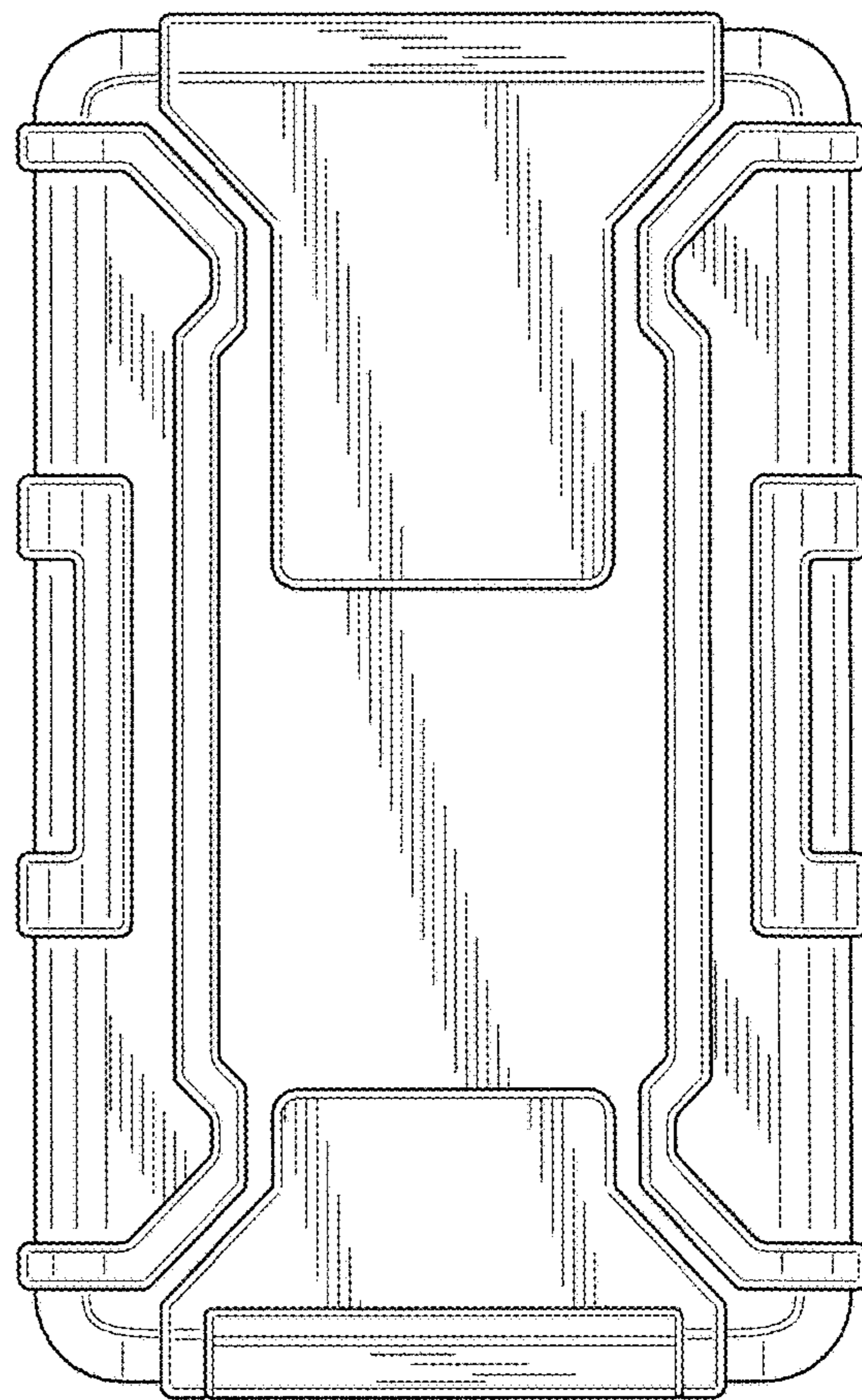


FIG. 6

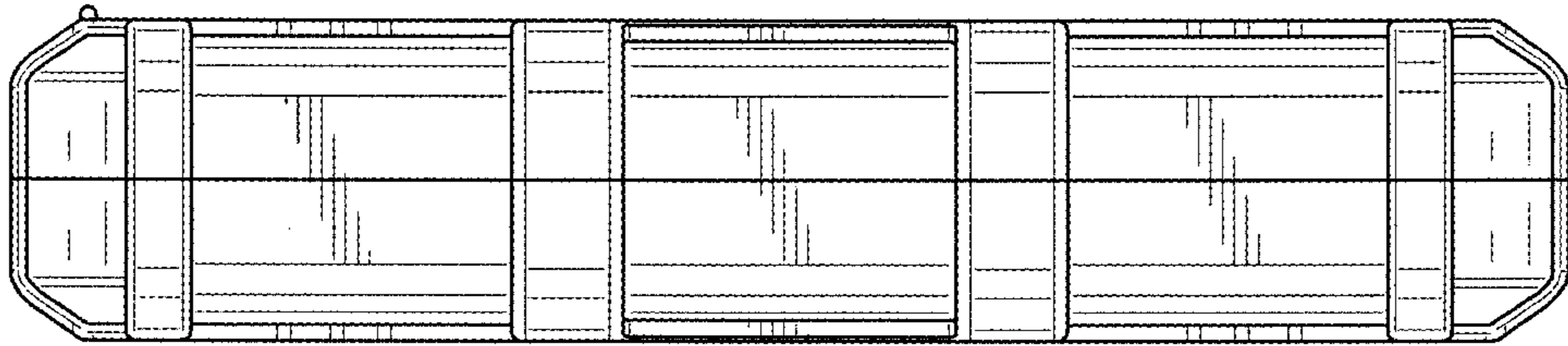


FIG. 7

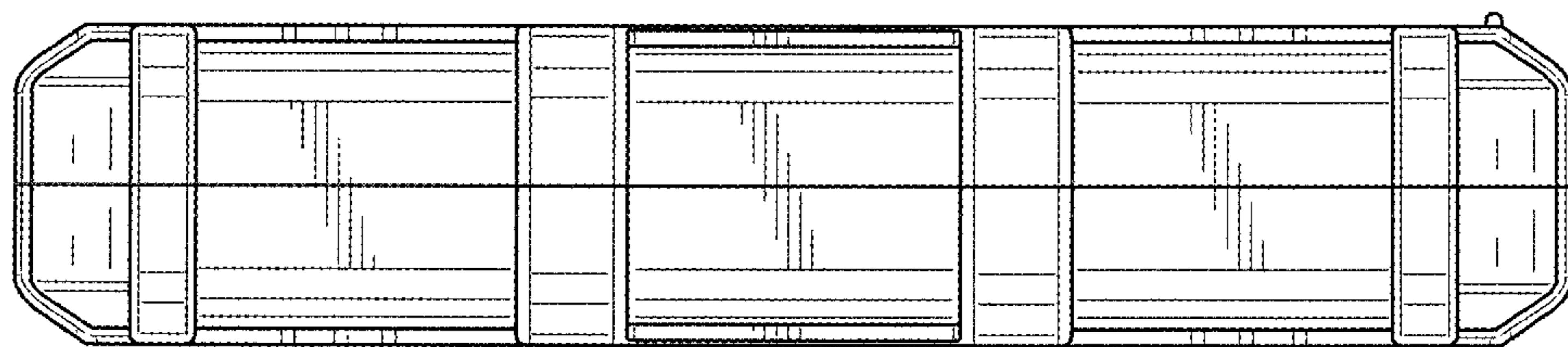


FIG. 8