



US00D926120S

(12) **United States Design Patent** (10) **Patent No.:** **US D926,120 S**  
**Richard** (45) **Date of Patent:** **\*\* Jul. 27, 2021**

(54) **RECHARGEABLE BATTERY**  
(71) Applicant: **BIROTA**, Vanves (FR)  
(72) Inventor: **Arthur Richard**, Paris (FR)  
(\*\*) Term: **15 Years**  
(21) Appl. No.: **35/507,875**  
(22) Filed: **Aug. 14, 2019**  
(80) **Hague Agreement Data**  
Int. Filing Date: **Aug. 14, 2019**  
Int. Reg. No.: **DM/204312**  
Int. Reg. Date: **Aug. 14, 2019**  
Int. Reg. Pub. Date: **Nov. 29, 2019**

(51) **LOC (13) Cl.** ..... **13-02**  
(52) **U.S. Cl.**  
USPC ..... **D13/103**  
(58) **Field of Classification Search**  
USPC ..... D13/103, 108; D27/167  
CPC ..... H01M 10/0422; H01M 2/30; H01M 10/48  
See application file for complete search history.

(56) **References Cited**  
U.S. PATENT DOCUMENTS  
D459,297 S \* 6/2002 Searle ..... D13/103  
D539,216 S \* 3/2007 Hamaguchi ..... D13/103  
D539,217 S \* 3/2007 Hamaguchi ..... D13/103  
D543,143 S \* 5/2007 Hamaguchi ..... D13/103  
D551,616 S \* 9/2007 Shimizu ..... D13/103  
D574,768 S \* 8/2008 Witte ..... D13/103  
D577,333 S \* 9/2008 Daniel ..... D13/103  
D623,589 S \* 9/2010 Tarter ..... D13/103  
D699,672 S \* 2/2014 Kosugi ..... D13/103  
D720,688 S \* 1/2015 Popper ..... D13/103  
D733,050 S \* 6/2015 Chiang ..... D13/108  
D740,221 S \* 10/2015 Popper ..... D13/103  
D757,646 S \* 5/2016 Pearson ..... D13/103  
D762,564 S \* 8/2016 Patton ..... D13/103  
D763,788 S \* 8/2016 Bakker ..... D13/103

D768,068 S \* 10/2016 Chen ..... D13/103  
D774,452 S \* 12/2016 Rost ..... D13/103  
D782,414 S \* 3/2017 Worthington ..... D13/108  
D800,058 S \* 10/2017 Qiu ..... D13/103  
D807,286 S \* 1/2018 Qiu ..... D13/103  
D818,949 S \* 5/2018 Dunkin ..... D13/103  
D821,305 S \* 6/2018 Liu ..... D13/103  
D837,733 S \* 1/2019 Bai ..... D13/108  
D839,823 S \* 2/2019 Lemelson ..... D13/103  
D841,574 S \* 2/2019 Ma ..... D13/103  
D844,557 S \* 4/2019 Wang ..... D13/103  
D864,862 S \* 10/2019 Cheng ..... D13/108  
D871,321 S \* 12/2019 Chung ..... D13/103  
D874,721 S \* 2/2020 Lai ..... D27/167  
D886,046 S \* 6/2020 Lim ..... D13/103  
D887,970 S \* 6/2020 Himeno ..... D13/103  
D889,401 S \* 7/2020 Li ..... D13/108  
D893,419 S \* 8/2020 Liao ..... D13/108  
2016/0260955 A1 \* 9/2016 Jo ..... H01M 2/30  
2017/0062880 A1 \* 3/2017 Riemer ..... H01M 10/48

(Continued)

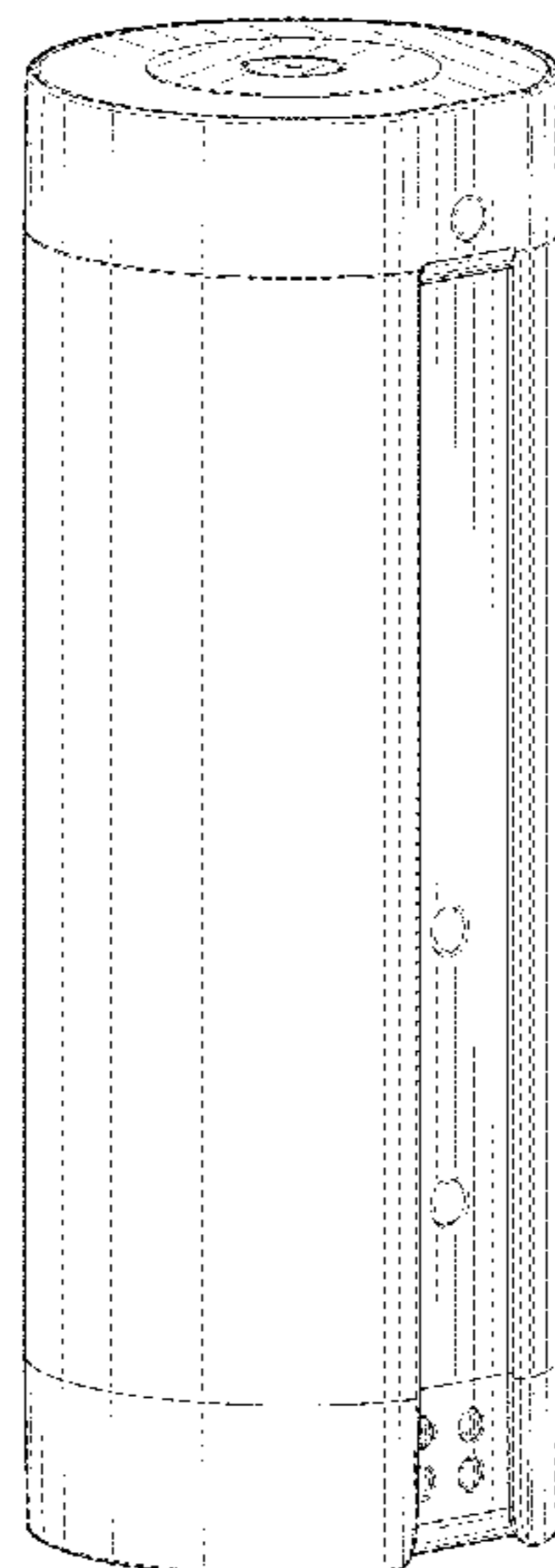
*Primary Examiner* — Rhea Shields  
(74) *Attorney, Agent, or Firm* — Egbert, McDaniel & Swartz, PLLC

(57) **CLAIM**  
The ornamental design for a rechargeable battery, as shown and described.

**DESCRIPTION**

**1.1** is a top view of a rechargeable battery showing my new design.  
**1.2** is a left side view thereof;  
**1.3** is right side view thereof;  
**1.4** is a rear view thereof;  
**1.5** is a front view thereof;  
**1.6** is a bottom view thereof; and  
**1.7** is a perspective view thereof.  
In the reproductions, the broken lines are for the purpose of showing portions of the rechargeable battery that forms no part of the claimed design.

**1 Claim, 4 Drawing Sheets**



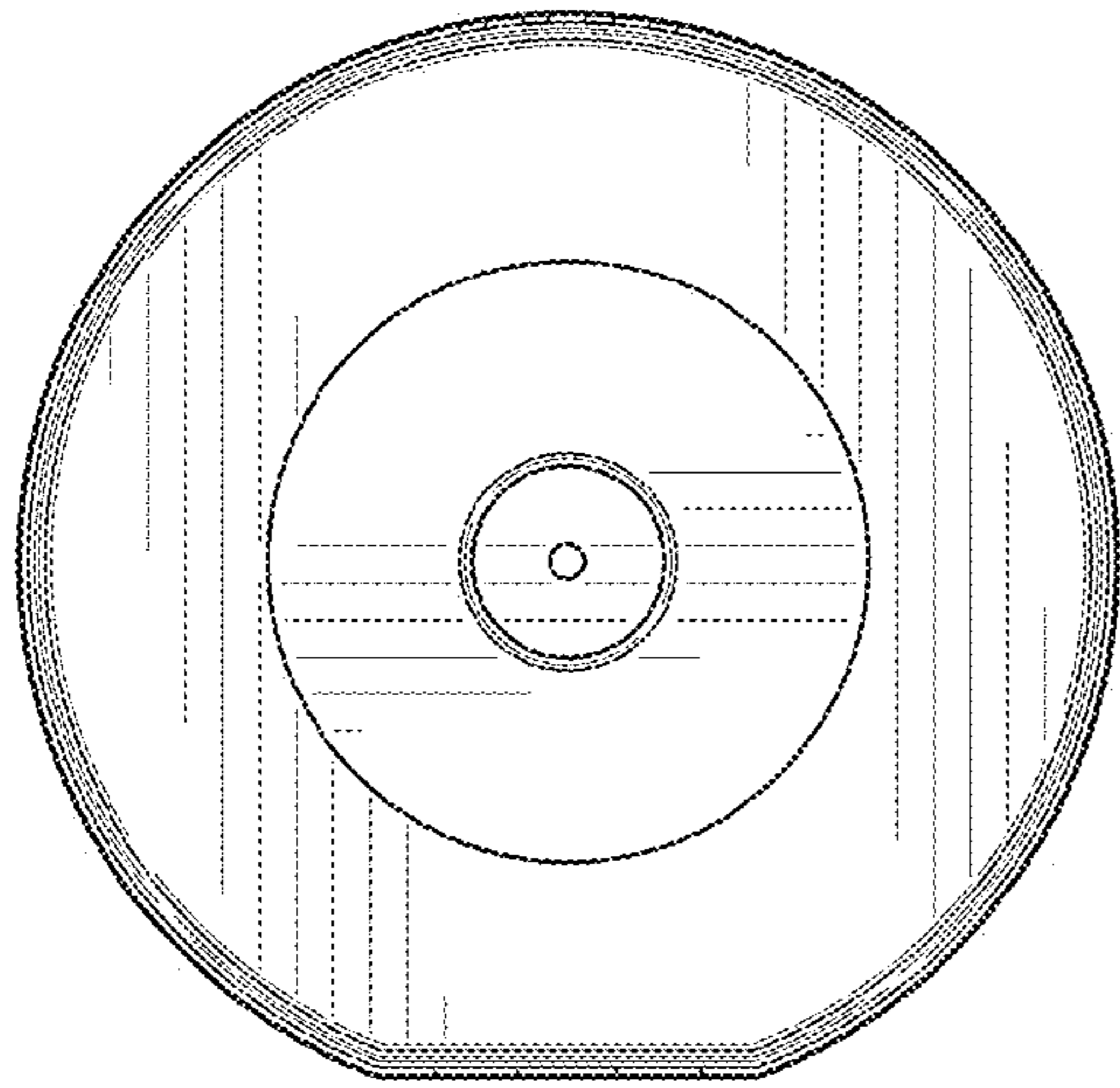
(56)

**References Cited**

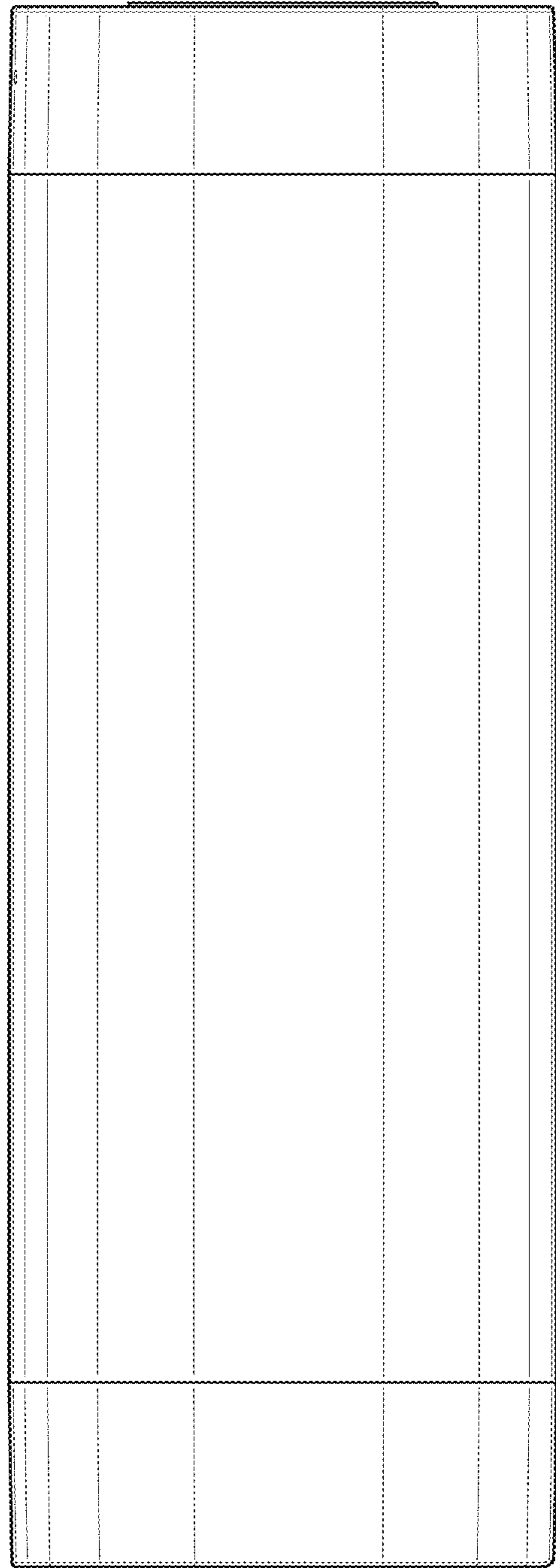
U.S. PATENT DOCUMENTS

2017/0200935 A1\* 7/2017 Hong ..... H01M 2/30  
2018/0309096 A1\* 10/2018 Kim ..... H01M 10/0422

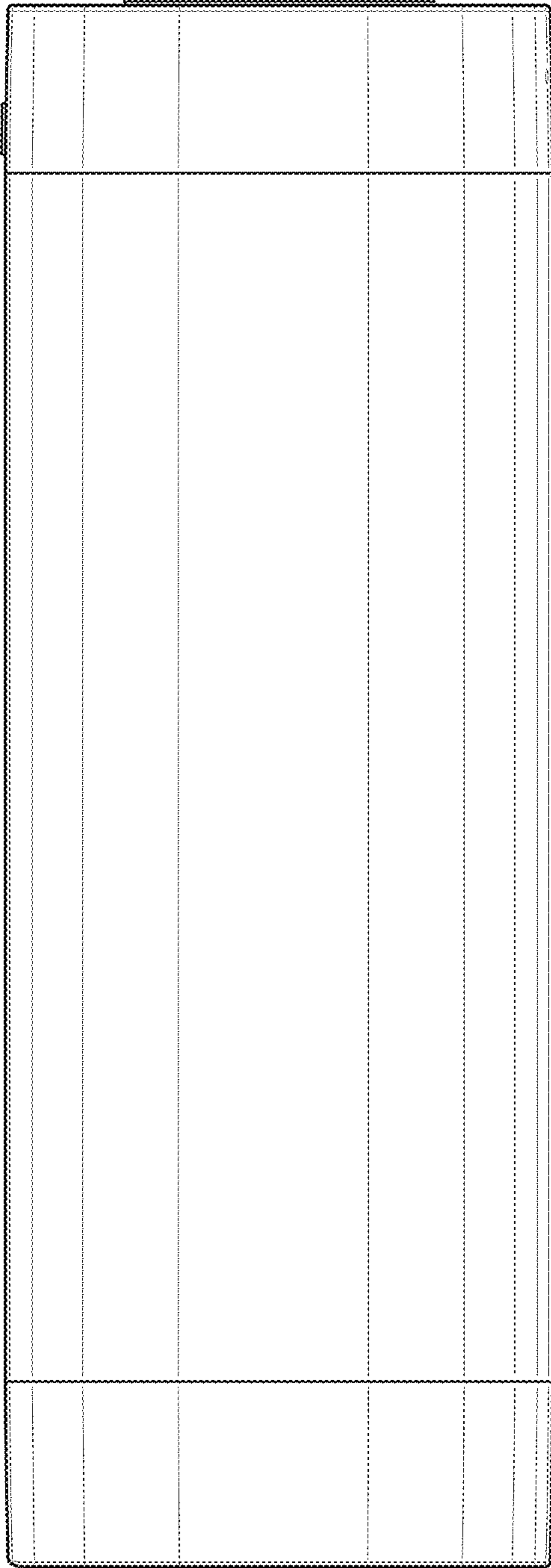
\* cited by examiner



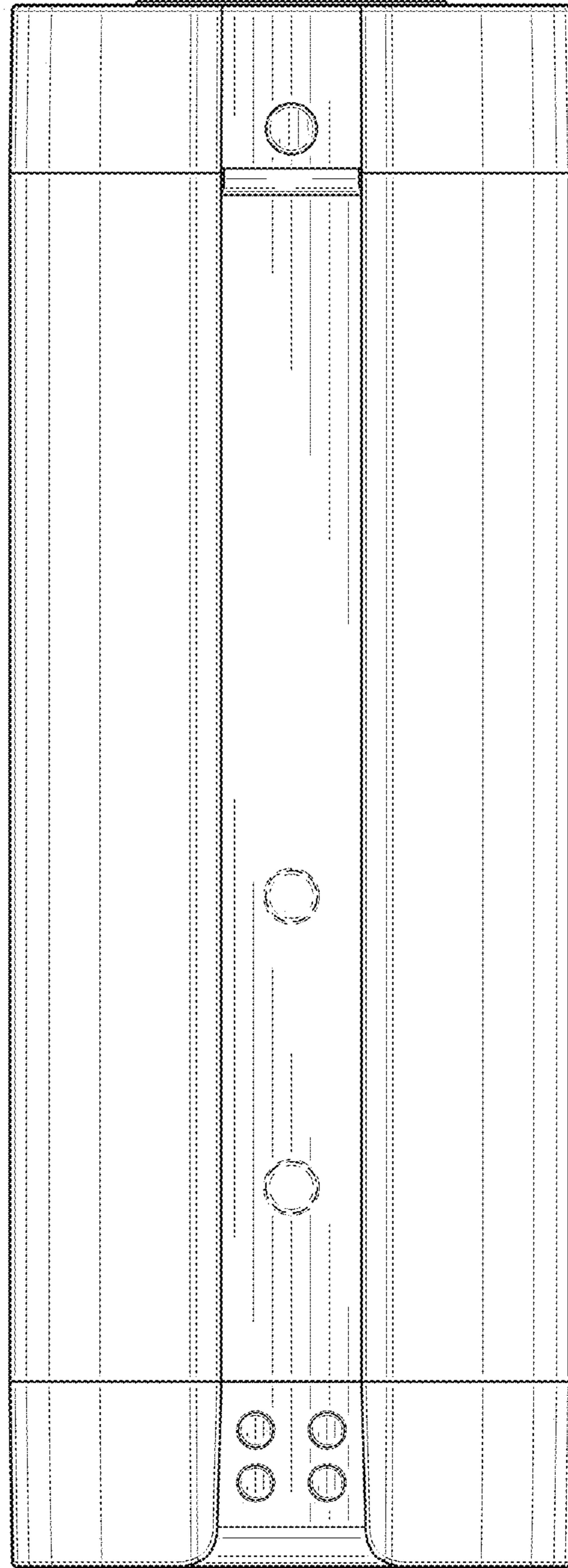
1.1



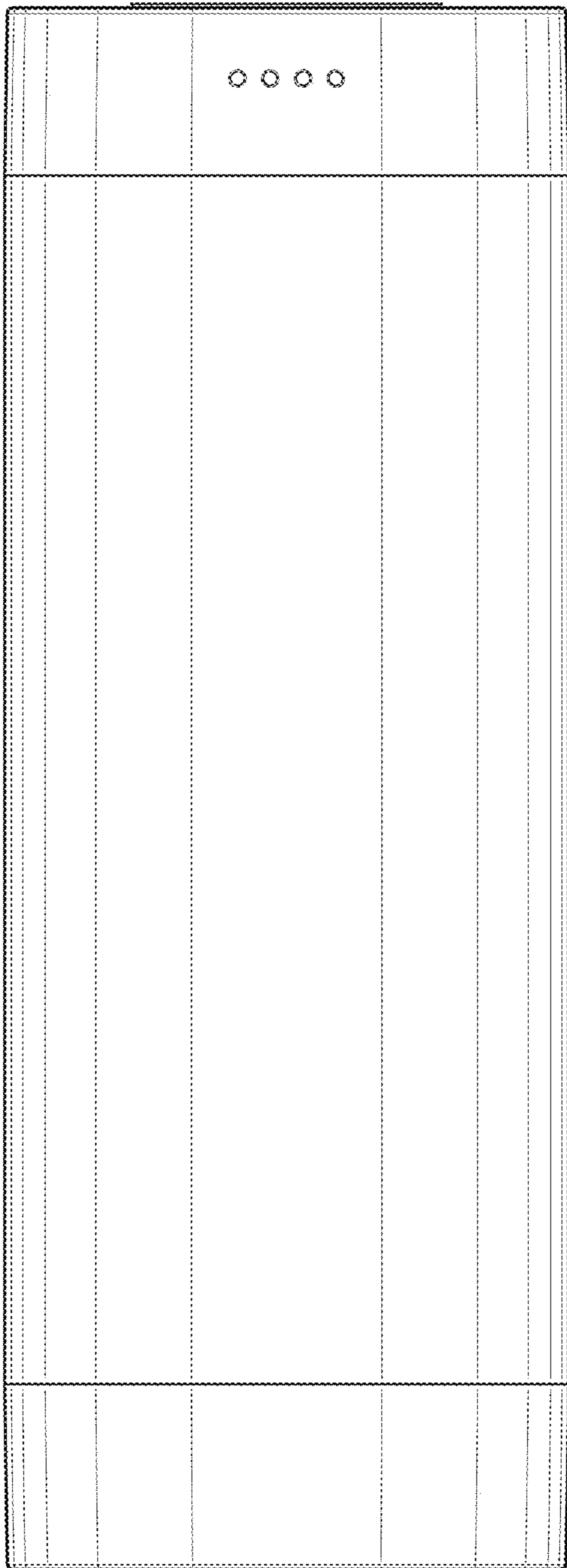
1.2



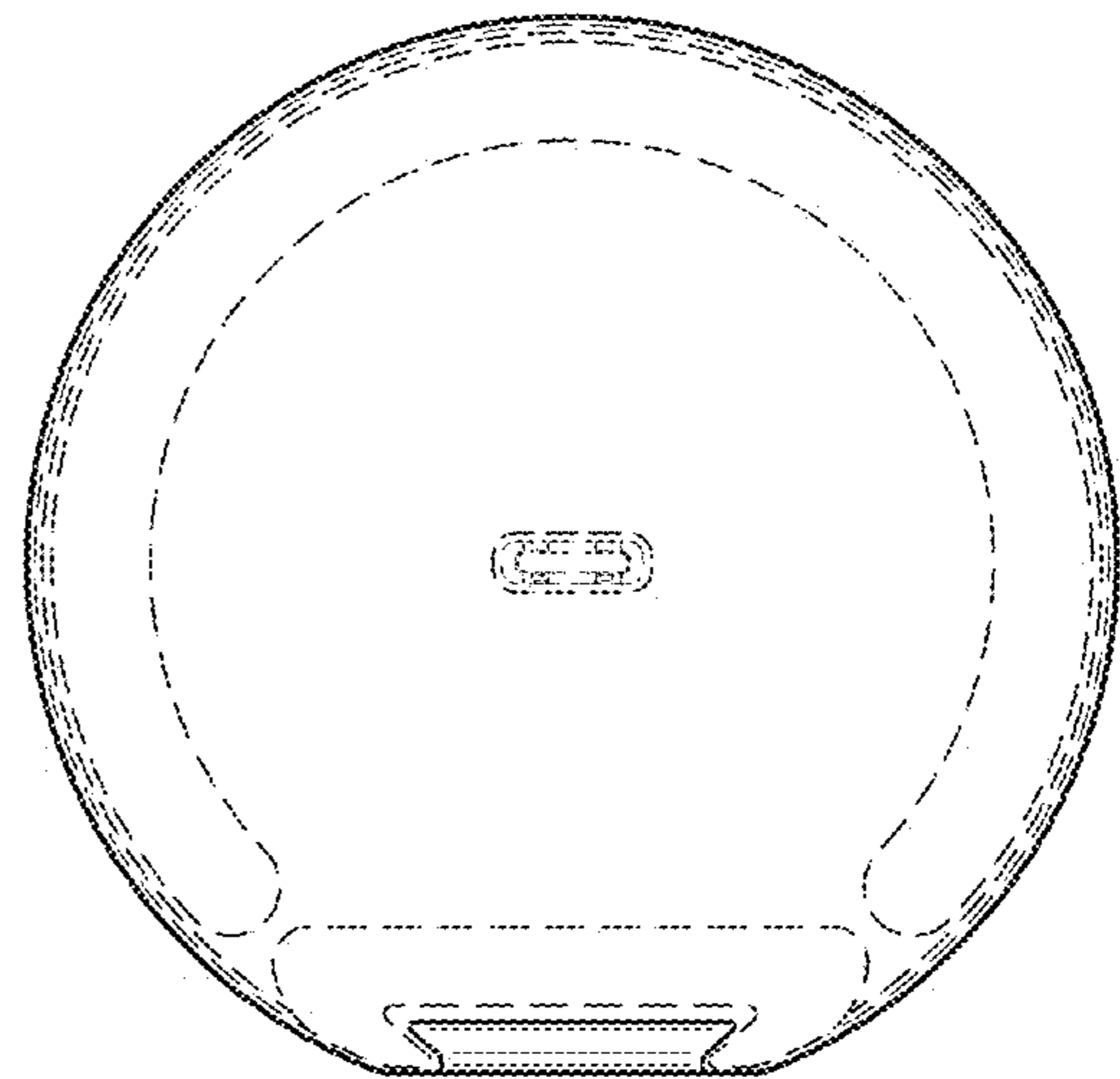
1.3



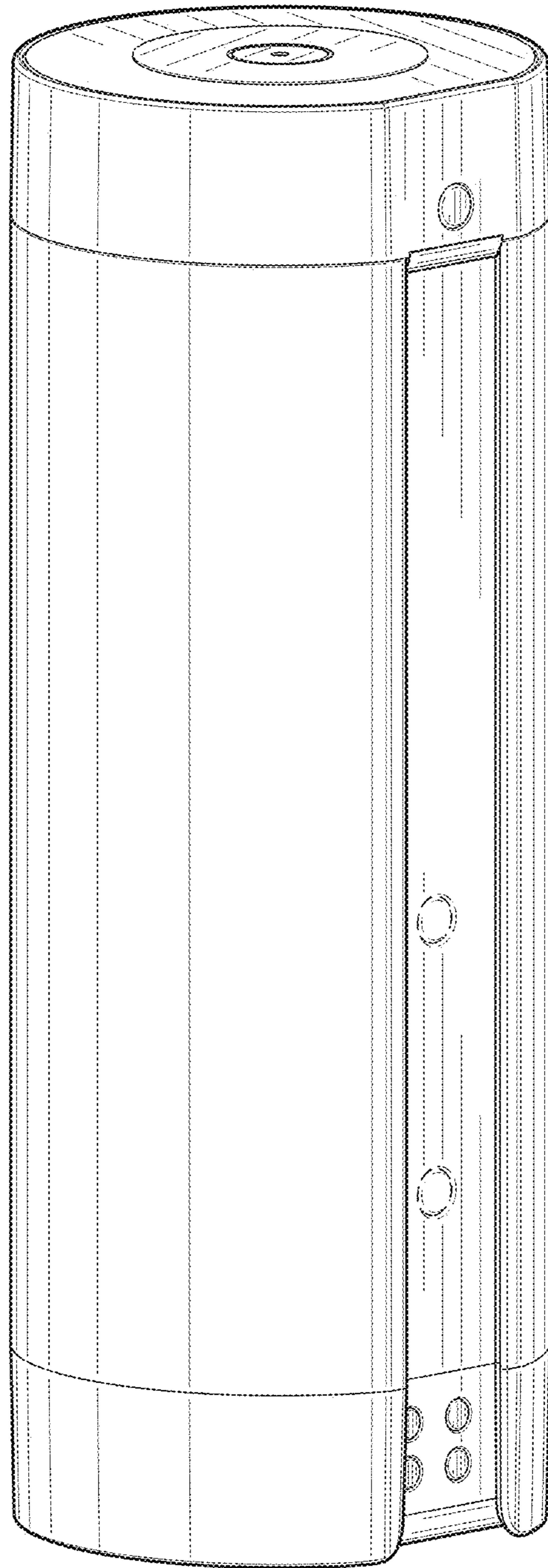
1.4



1.5



1.6



1.7