



US00D926119S

(12) **United States Design Patent** (10) **Patent No.:** **US D926,119 S**  
**Ebisawa et al.** (45) **Date of Patent:** **\*\* Jul. 27, 2021**

(54) **BATTERY MODULE**

(71) Applicant: **Kabushiki Kaisha Toshiba**, Tokyo (JP)

(72) Inventors: **Masafumi Ebisawa**, Tokyo (JP); **Kenji Yazawa**, Tokyo (JP); **Kenji Shigehisa**, Tokyo (JP); **Makoto Nagasato**, Tokyo (JP); **Ryousuke Kasaya**, Sagamihara (JP)

(73) Assignee: **Kabushiki Kaisha Toshiba**, Tokyo (JP)

(\*\*) Term: **15 Years**

(21) Appl. No.: **29/735,205**

(22) Filed: **May 19, 2020**

**Related U.S. Application Data**

(62) Division of application No. 29/616,805, filed on Sep. 8, 2017, now Pat. No. Des. 887,968.

(30) **Foreign Application Priority Data**

Mar. 10, 2017 (JP) ..... 2017-004911  
Mar. 10, 2017 (JP) ..... 2017-004912

(51) **LOC (13) Cl.** ..... **13-02**

(52) **U.S. Cl.**  
USPC ..... **D13/103**

(58) **Field of Classification Search**  
USPC ..... D13/102-106, 110, 118-119, 184  
CPC ..... Y02E 60/12; Y02E 60/122; Y02E 60/124;  
Y02E 60/50; H01M 2/02; H01M 2/022;  
H01M 2/0202; H01M 2/0207; H01M  
2/0212; H01M 2/1061; H01M 2/1022;  
H01M 2/1055; H01M 2/1066; H01M  
2/105; H01M 2/204; H01M 2/1016;  
H01M 2200/00; H01M 10/4257; H01M  
10/0436; H01M 10/48; H01M 10/42

See application file for complete search history.

(56) **References Cited**

U.S. PATENT DOCUMENTS

D303,652 S 9/1989 Lopez-Doriga Lopez-Doriga  
D355,887 S 2/1995 Rodeffer et al.  
D413,859 S \* 9/1999 Ido ..... D13/103  
(Continued)

FOREIGN PATENT DOCUMENTS

CN 303197617 5/2015  
CN 303870340 9/2016

(Continued)

OTHER PUBLICATIONS

Jun. 6, 2019—U.S. Non-final Office Action—U.S. Appl. No. 29/616,805.

Nov. 8, 2019—U.S. Final Office Action—U.S. Appl. No. 29/616,805.

*Primary Examiner* — Nathaniel D. Buckner

(74) *Attorney, Agent, or Firm* — Banner & Witcoff, Ltd.

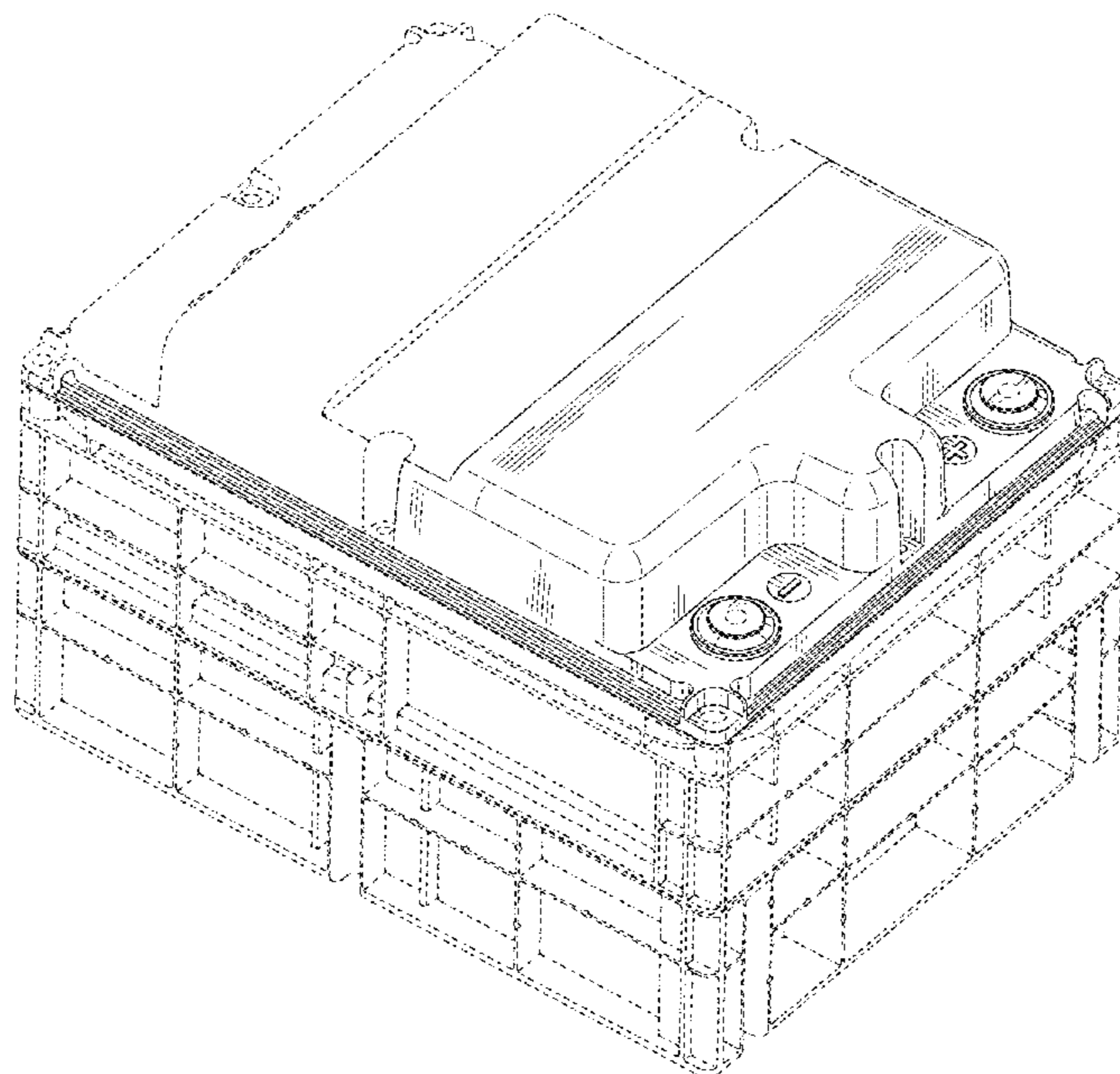
(57) **CLAIM**

The ornamental design for a battery module, as shown and described.

**DESCRIPTION**

FIG. 1 is a front, top and left side perspective view of a battery module, showing our new design;  
FIG. 2 is a rear, top and left side perspective view thereof;  
FIG. 3 is a front view thereof;  
FIG. 4 is a rear view thereof;  
FIG. 5 is a top view thereof;  
FIG. 6 is a bottom view thereof;  
FIG. 7 is a right side view thereof; and,  
FIG. 8 is a left side view thereof.  
The broken lines in the figures depict portions of the battery module which form no part of the claimed design.

**1 Claim, 7 Drawing Sheets**



(56)

References Cited

U.S. PATENT DOCUMENTS

D458,900 S 6/2002 Carter et al.  
 D510,682 S 10/2005 Smit  
 D562,765 S 2/2008 Tsuzuki et al.  
 D570,281 S 6/2008 Blogg et al.  
 D584,684 S 1/2009 Aglassinger  
 D589,443 S 3/2009 Aglassinger  
 D604,696 S 11/2009 Tasai  
 D623,127 S \* 9/2010 Seyama ..... D13/104  
 D633,862 S \* 3/2011 Qualls ..... D13/104  
 D633,863 S \* 3/2011 Qualls ..... D13/106  
 D633,865 S \* 3/2011 Qualls ..... D13/106  
 D660,226 S \* 5/2012 Elison ..... D13/104  
 D695,682 S \* 12/2013 Nam ..... D13/104  
 8,922,157 B2 12/2014 Simonazzi  
 9,153,806 B2 10/2015 Yoshioka et al.  
 D760,160 S 6/2016 DeKeuster et al.  
 D772,816 S 11/2016 DeKeuster  
 9,647,256 B2 5/2017 Abe et al.  
 D795,181 S 8/2017 Hahn

9,941,086 B2 4/2018 Onoda et al.  
 D817,870 S 5/2018 Yamamoto  
 D822,595 S \* 7/2018 Hoshino ..... D13/104  
 D830,965 S 10/2018 Varatharajah et al.  
 10,181,620 B2 1/2019 Yoshioka et al.  
 10,218,027 B2 2/2019 Gohl et al.  
 D870,033 S \* 12/2019 Varatharajah ..... D13/103  
 D879,032 S \* 3/2020 Yang ..... D13/103  
 D879,033 S \* 3/2020 Yoon ..... D13/103  
 D884,598 S \* 5/2020 Ebisawa ..... D13/103  
 D887,968 S \* 6/2020 Ebisawa ..... D13/103  
 2011/0076521 A1 3/2011 Shimizu et al.  
 2011/0293973 A1 12/2011 Kim  
 2015/0111083 A1 4/2015 Kim et al.

FOREIGN PATENT DOCUMENTS

JP D1004510 3/1998  
 JP D1341998 10/2008  
 JP D1477219 8/2013  
 KR 30-0757519 8/2014

\* cited by examiner

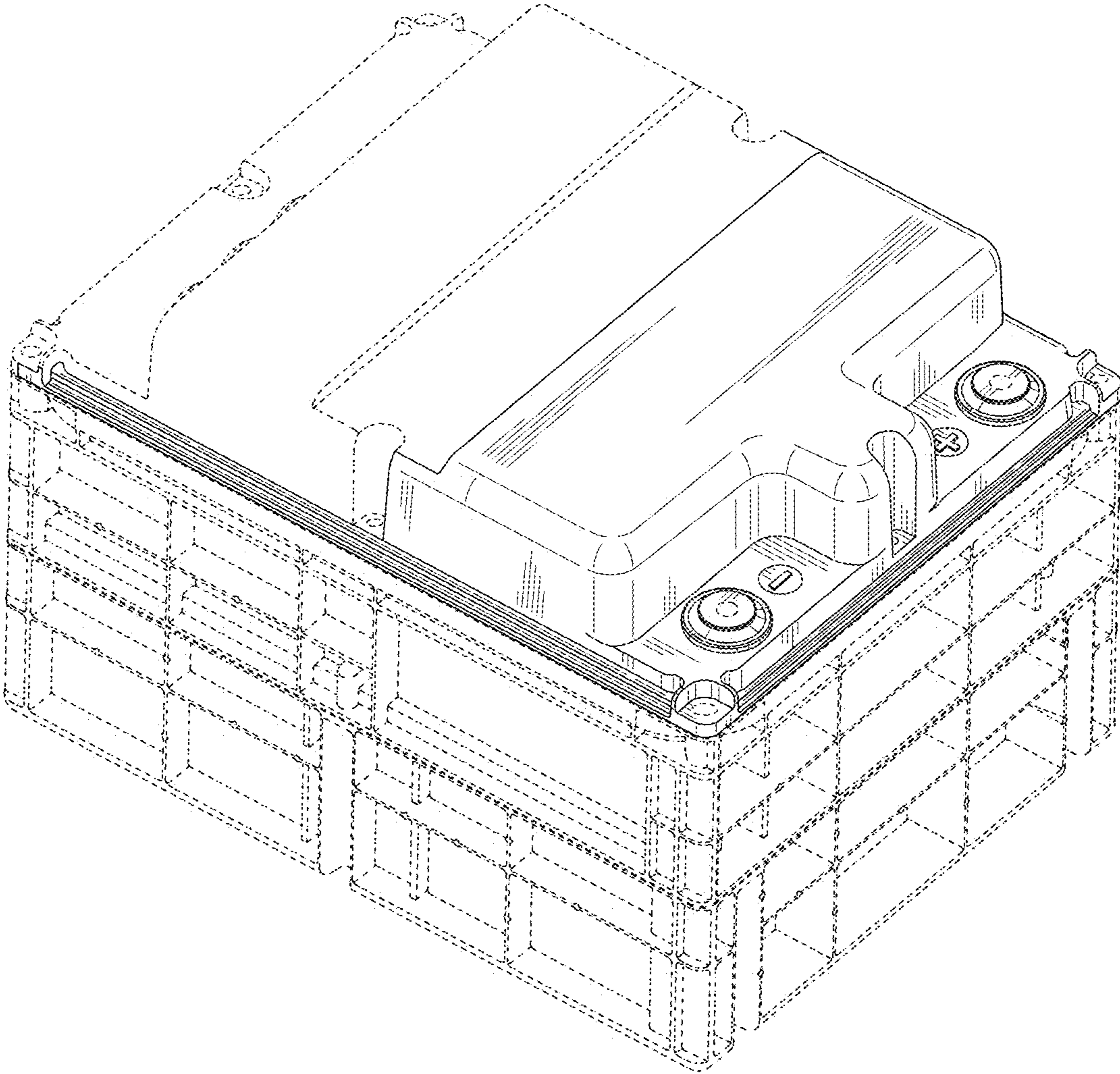


FIG. 1

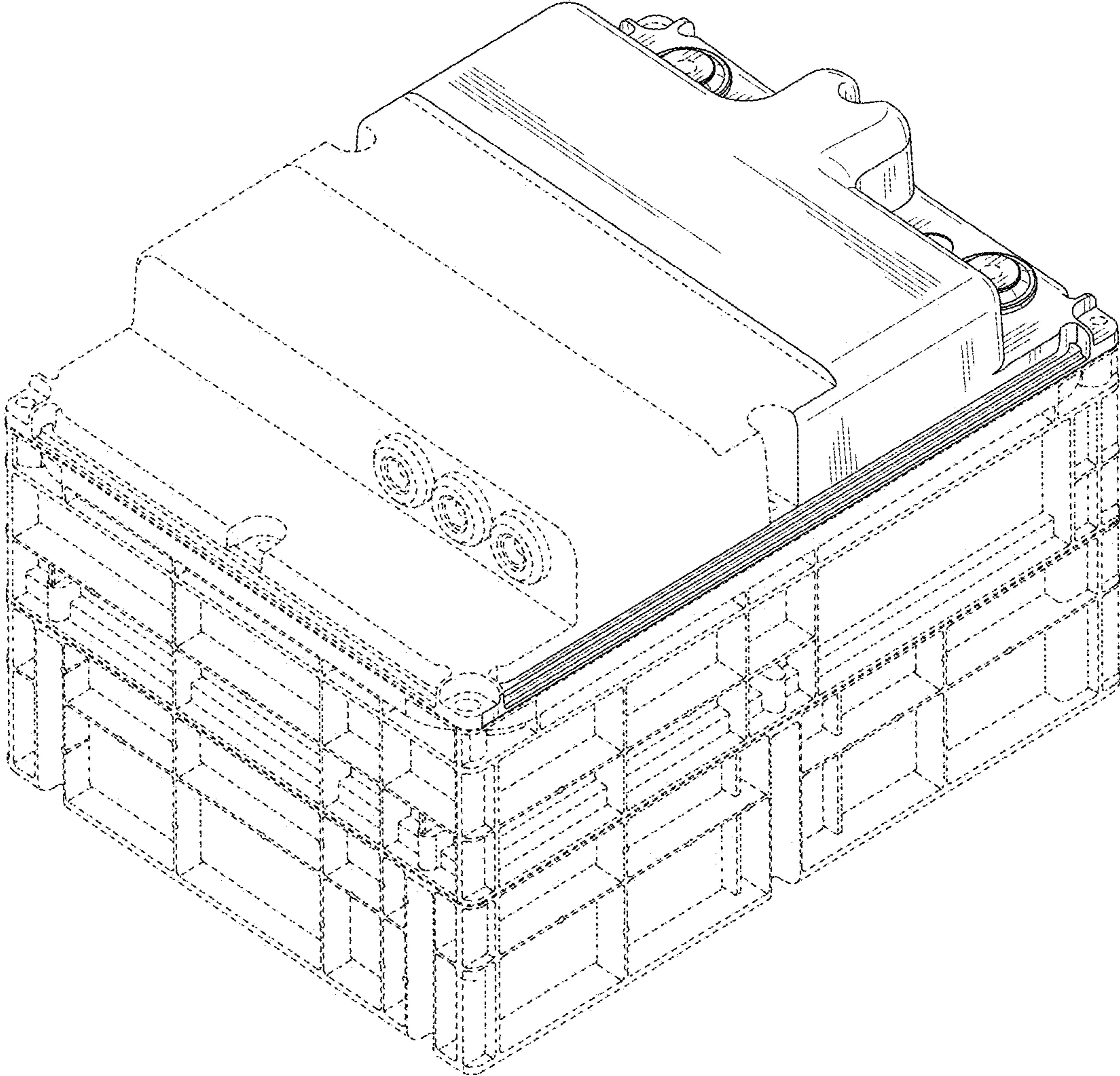


FIG. 2

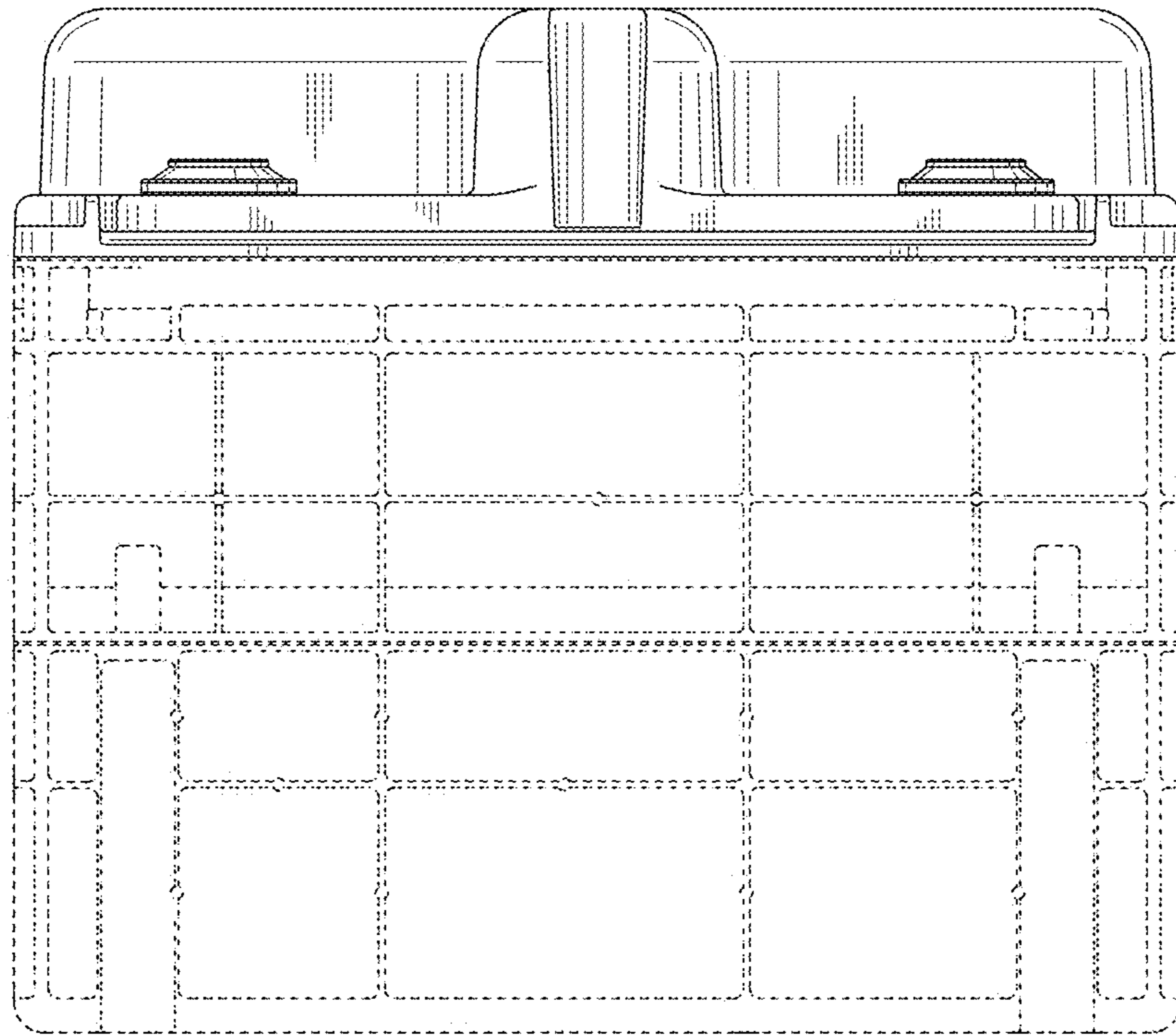


FIG. 3

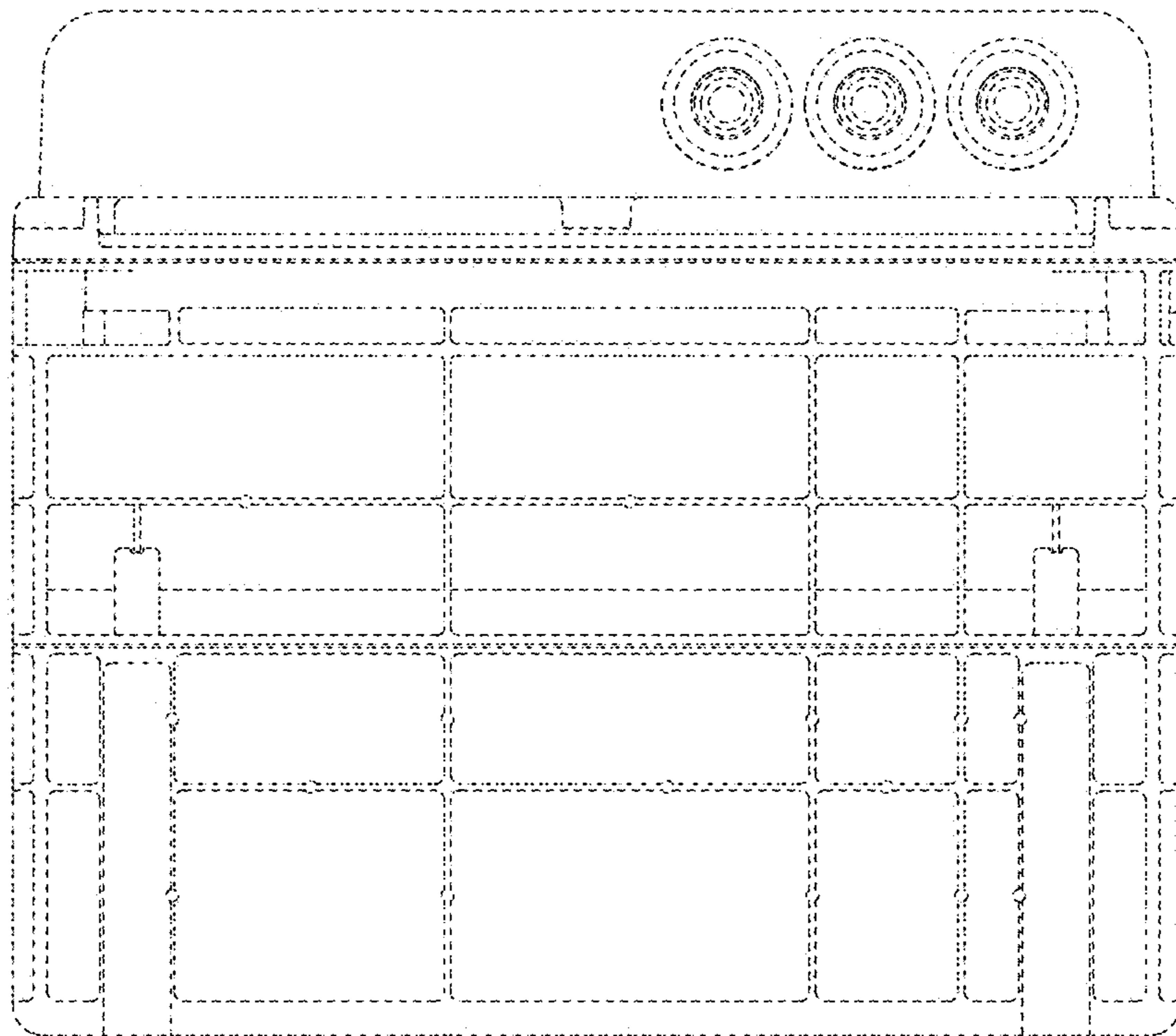


FIG. 4

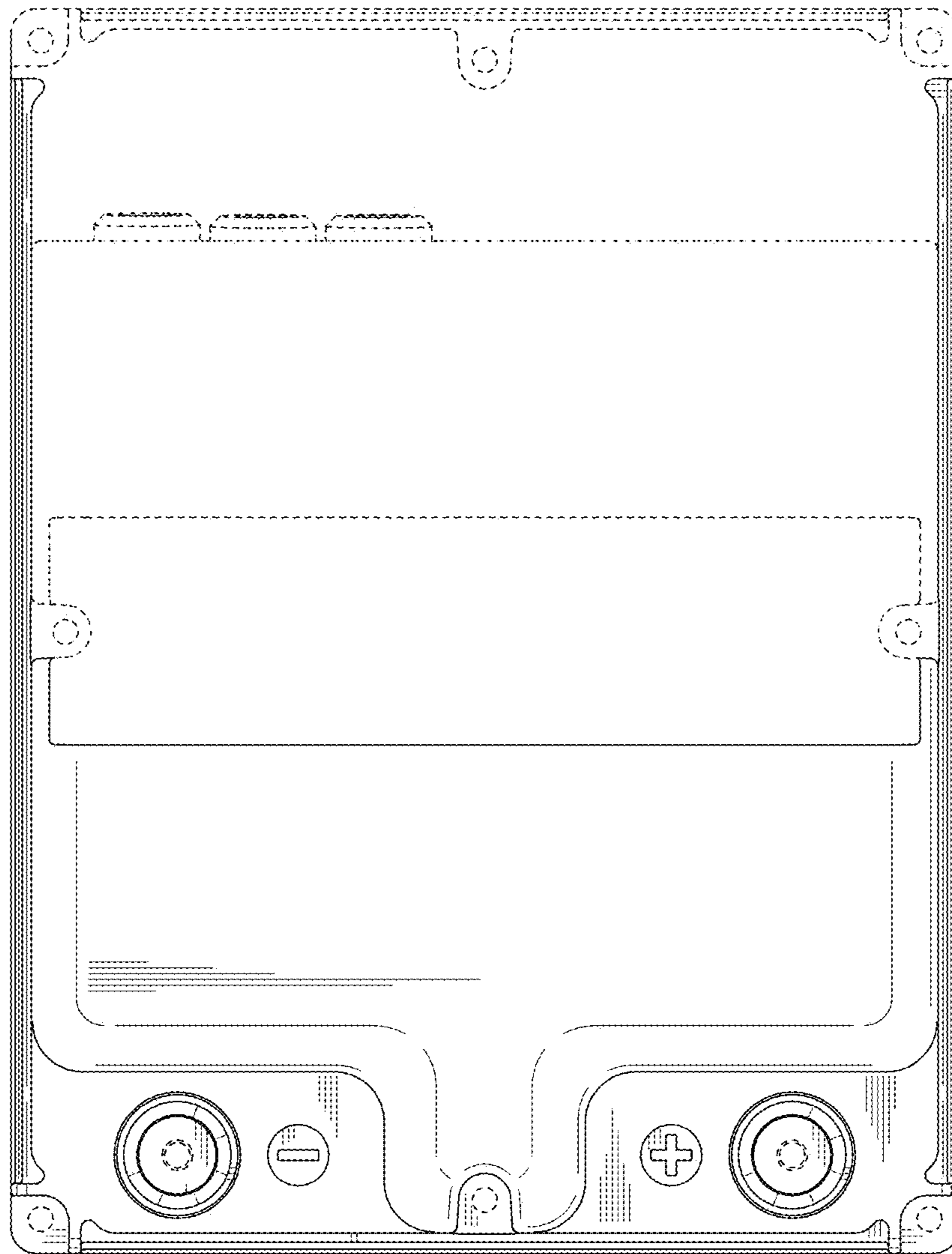


FIG. 5

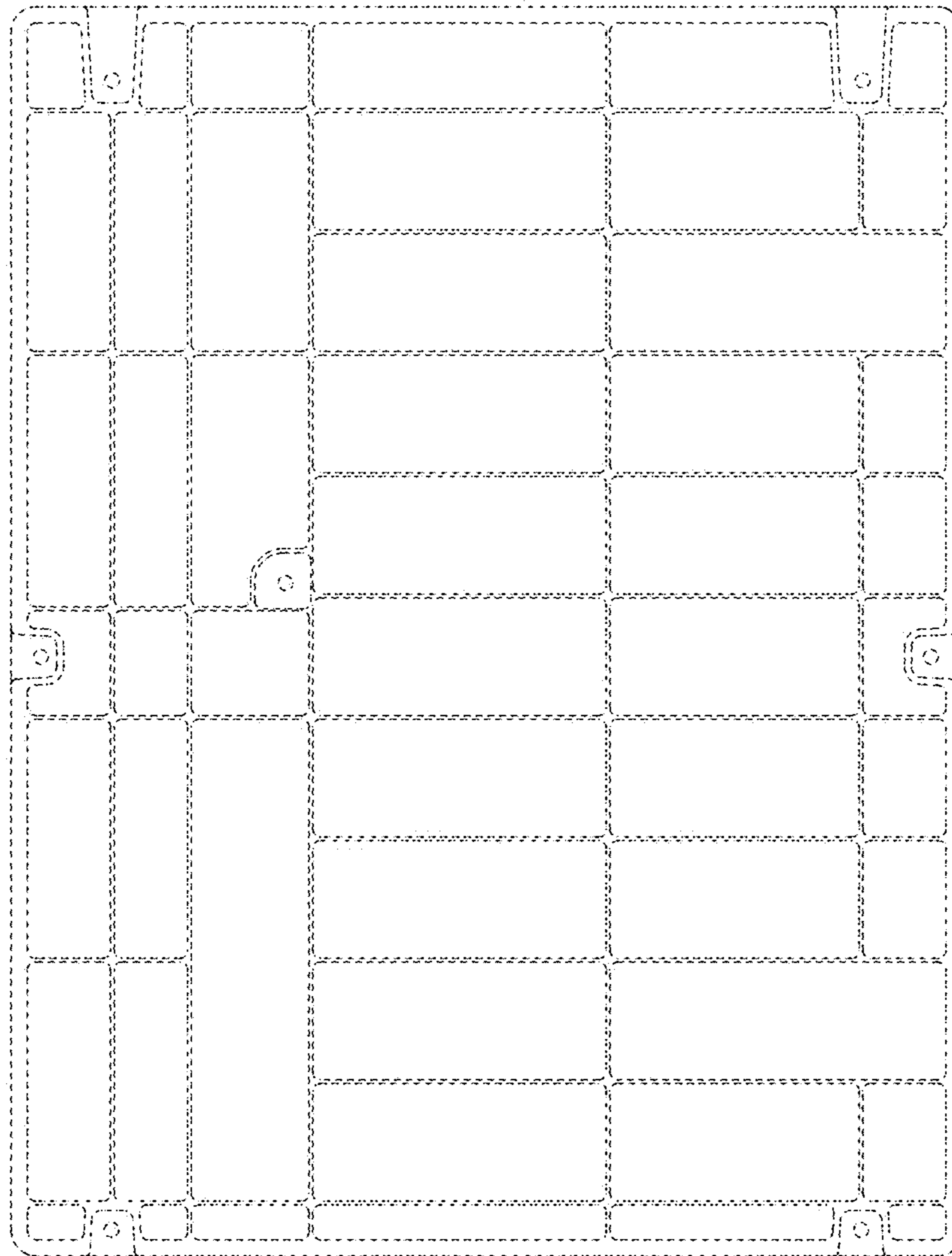


FIG. 6

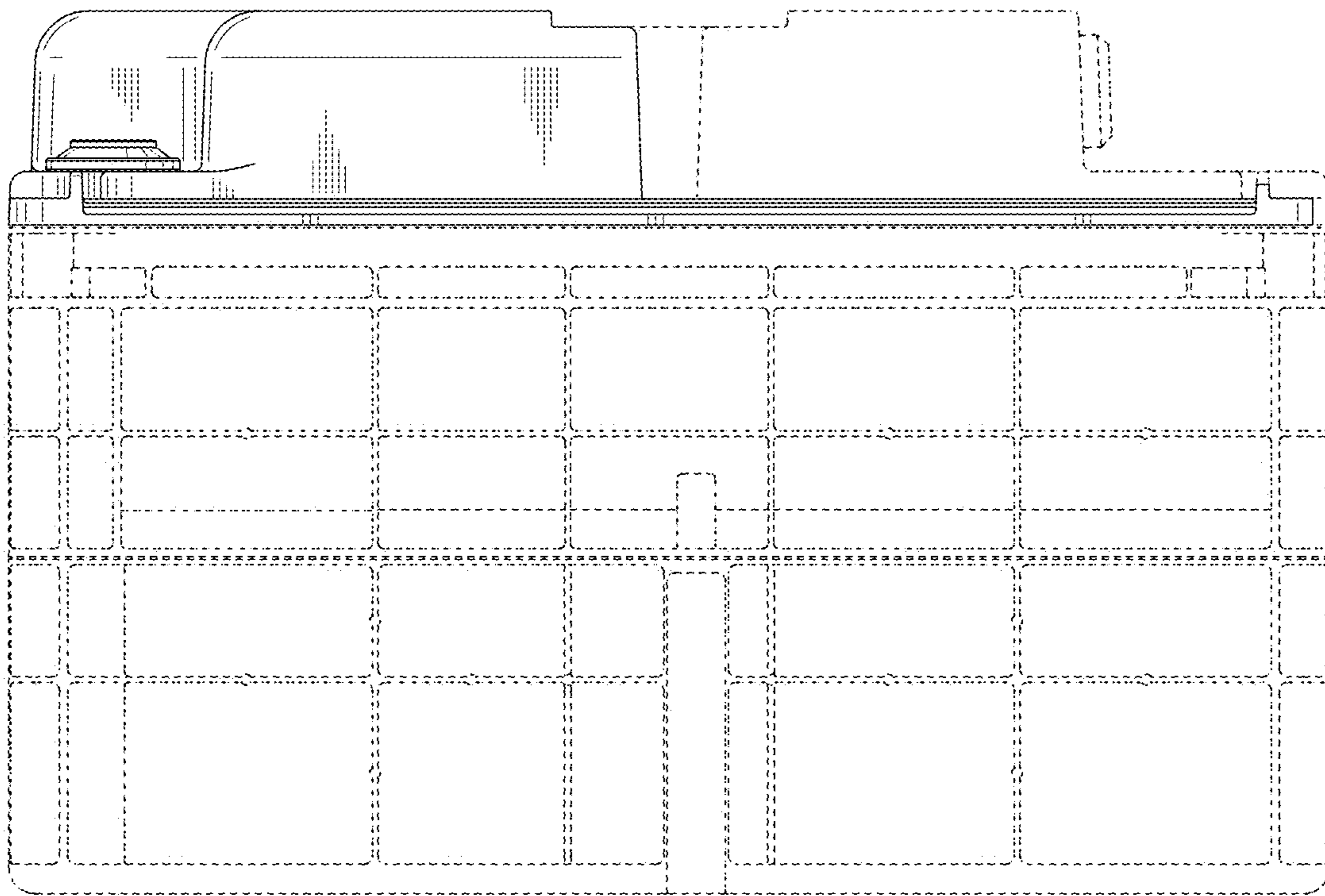


FIG. 7



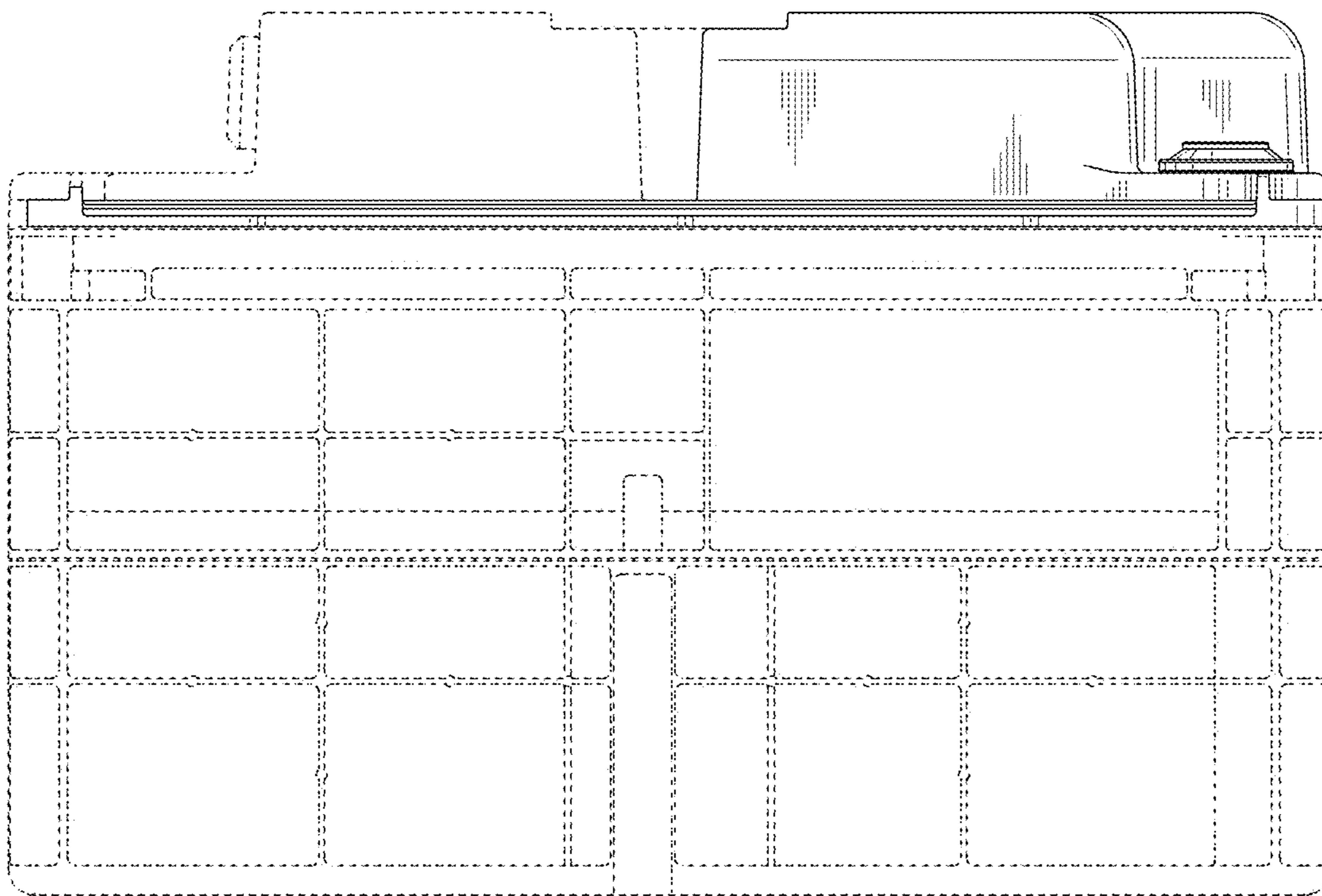


FIG. 8