



US00D926117S

(12) **United States Design Patent** (10) **Patent No.:** **US D926,117 S**  
**Silva** (45) **Date of Patent:** **\*\* Jul. 27, 2021**

(54) **SOLAR ROOF TILE**  
(71) Applicant: **Ecosolaroof Holdings Limited**, London (GB)  
(72) Inventor: **Charles Virgilio Silva**, Taubaté (BR)  
(73) Assignee: **ECOSOLAROOF HOLDINGS LIMITED**, London (GB)  
(\*\*) Term: **15 Years**

D285,829 S \* 9/1986 Lock ..... D13/102  
D384,935 S \* 10/1997 Fukuhara ..... D13/102  
D395,090 S \* 6/1998 Saarenko ..... D25/140  
D632,246 S \* 2/2011 Park ..... D13/102  
D653,611 S \* 2/2012 Lee ..... D13/102  
D844,551 S \* 4/2019 Wang ..... D13/102

\* cited by examiner

*Primary Examiner* — Derrick E Holland

(74) *Attorney, Agent, or Firm* — Riverside Law LLP

(21) Appl. No.: **29/732,257**  
(22) Filed: **Apr. 22, 2020**  
(51) **LOC (13) Cl.** ..... **13-02**  
(52) **U.S. Cl.**  
USPC ..... **D13/102**

(57) **CLAIM**

I claim the ornamental design for a solar roof tile, as shown and described.

(58) **Field of Classification Search**  
USPC ..... D13/101, 102, 118, 177, 184, 199;  
D23/373; D25/60, 140  
CPC ..... H02J 7/02; H02J 7/35; H02J 7/355; H02J 7/007; H02S 40/30; H02S 40/32; H02S 40/38; H02S 10/40; H01L 31/02; H01L 31/042; H01L 31/045; H01L 31/046; H01L 31/048; H01L 31/052; H01L 31/0504; H01L 31/0508; H01L 31/0512; H01L 31/0516; H01L 31/0232; Y02E 10/50; Y02E 10/52; Y02E 10/544; F24J 2/4614; F24J 2/4636; F24J 2/5211; F24J 2/5233; F24J 2/5239; F24J 2/5249  
See application file for complete search history.

**DESCRIPTION**

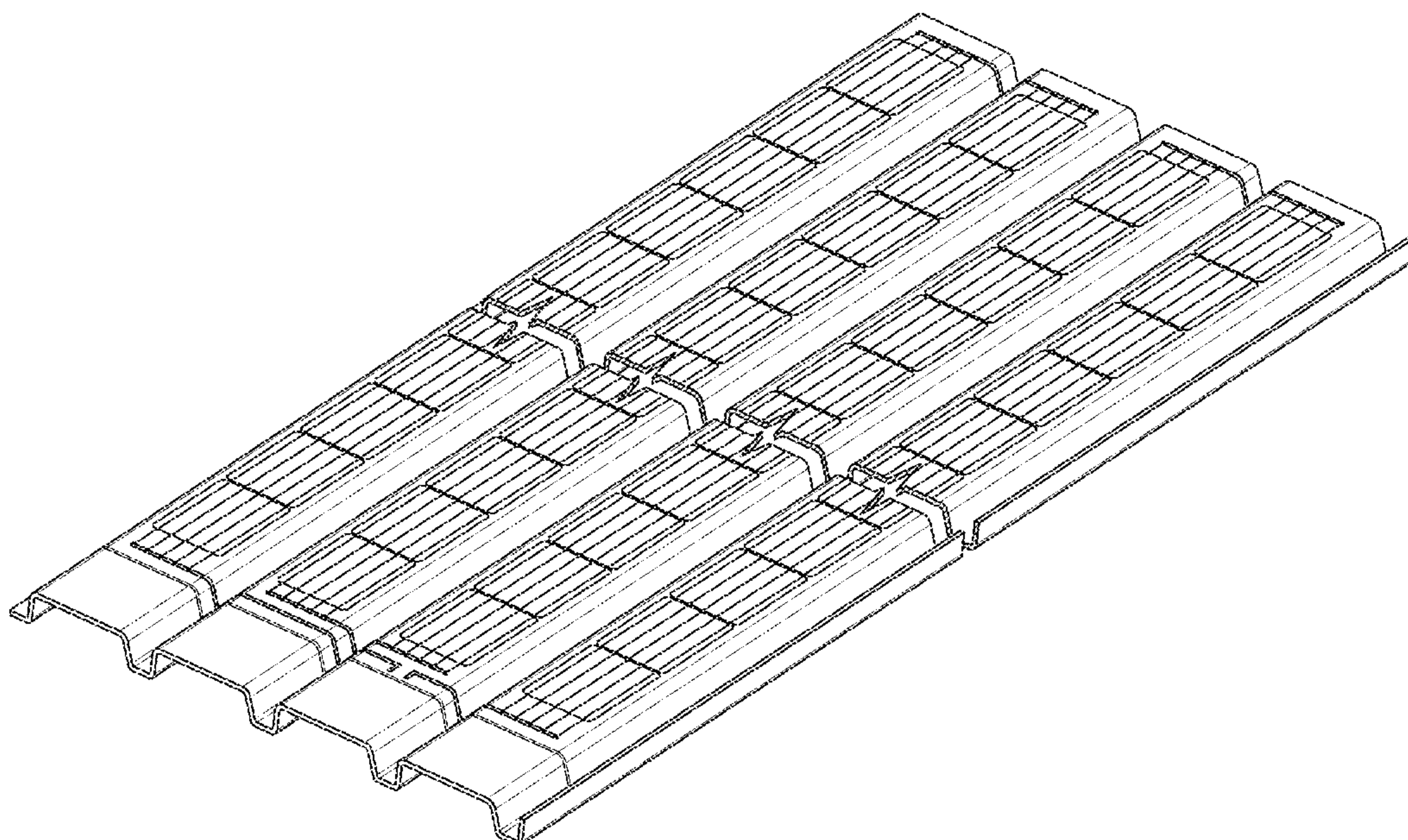
FIG. 1 is a top-front-right perspective view of a solar roof tile;  
FIG. 2 is a right side view thereof;  
FIG. 3 is a left side view thereof;  
FIG. 4 is a front view thereof;  
FIG. 5 is a back view thereof;  
FIG. 6 is a top view thereof; and,  
FIG. 7 is a bottom view thereof.

The broken lines shown represent environmental subject matter and form no part of the claimed design.

The solar roof tile is shown with a symbolic break in its length. The appearance of any portion of the article between the break lines forms no part of the claimed design.

(56) **References Cited**  
U.S. PATENT DOCUMENTS  
4,089,324 A \* 5/1978 Tjaden ..... F28D 9/0062  
126/666  
4,284,065 A \* 8/1981 Brill-Edwards ..... F24S 20/67  
126/668

**1 Claim, 5 Drawing Sheets**





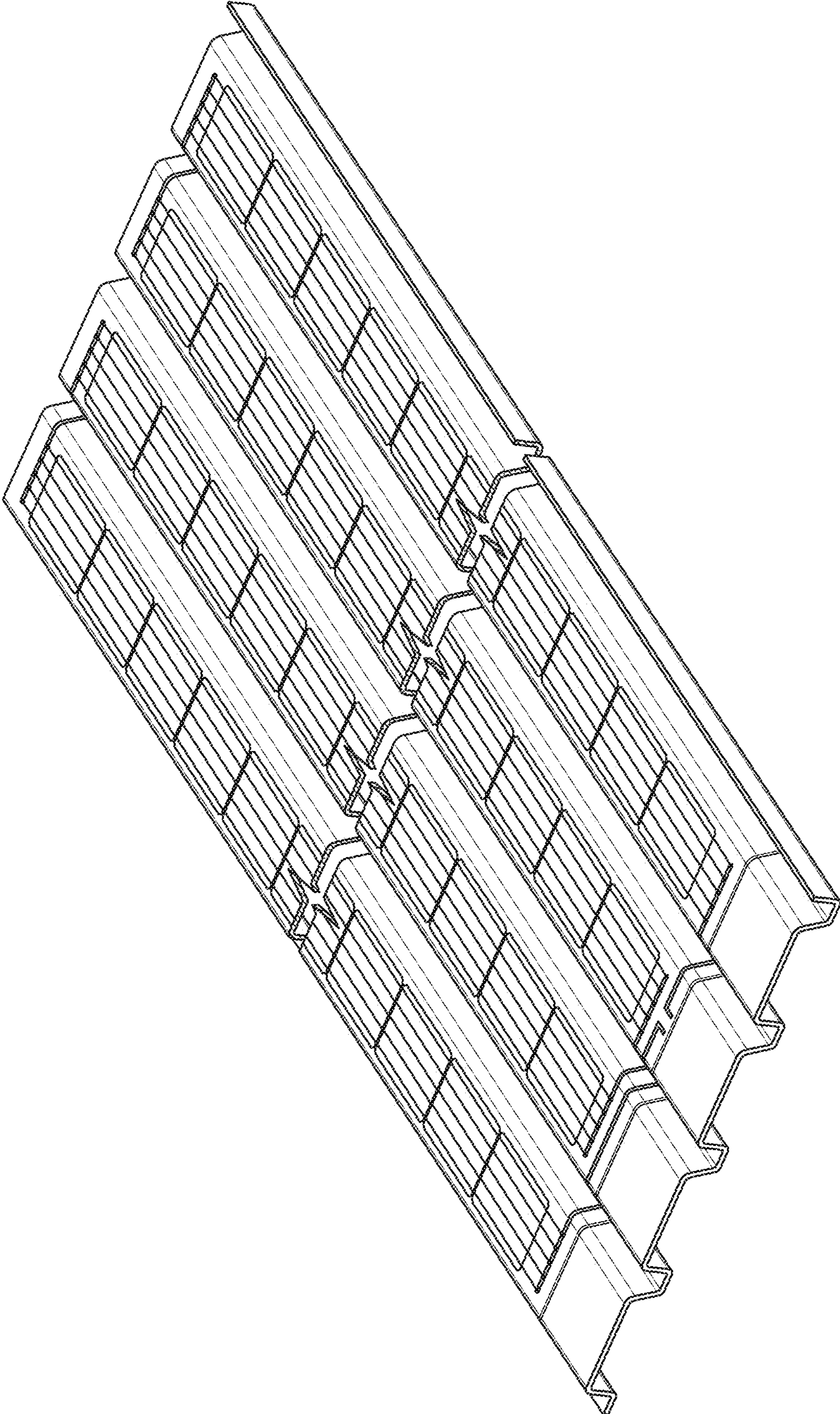


FIG. 1



FIG. 2



FIG. 3



FIG. 4



FIG. 5



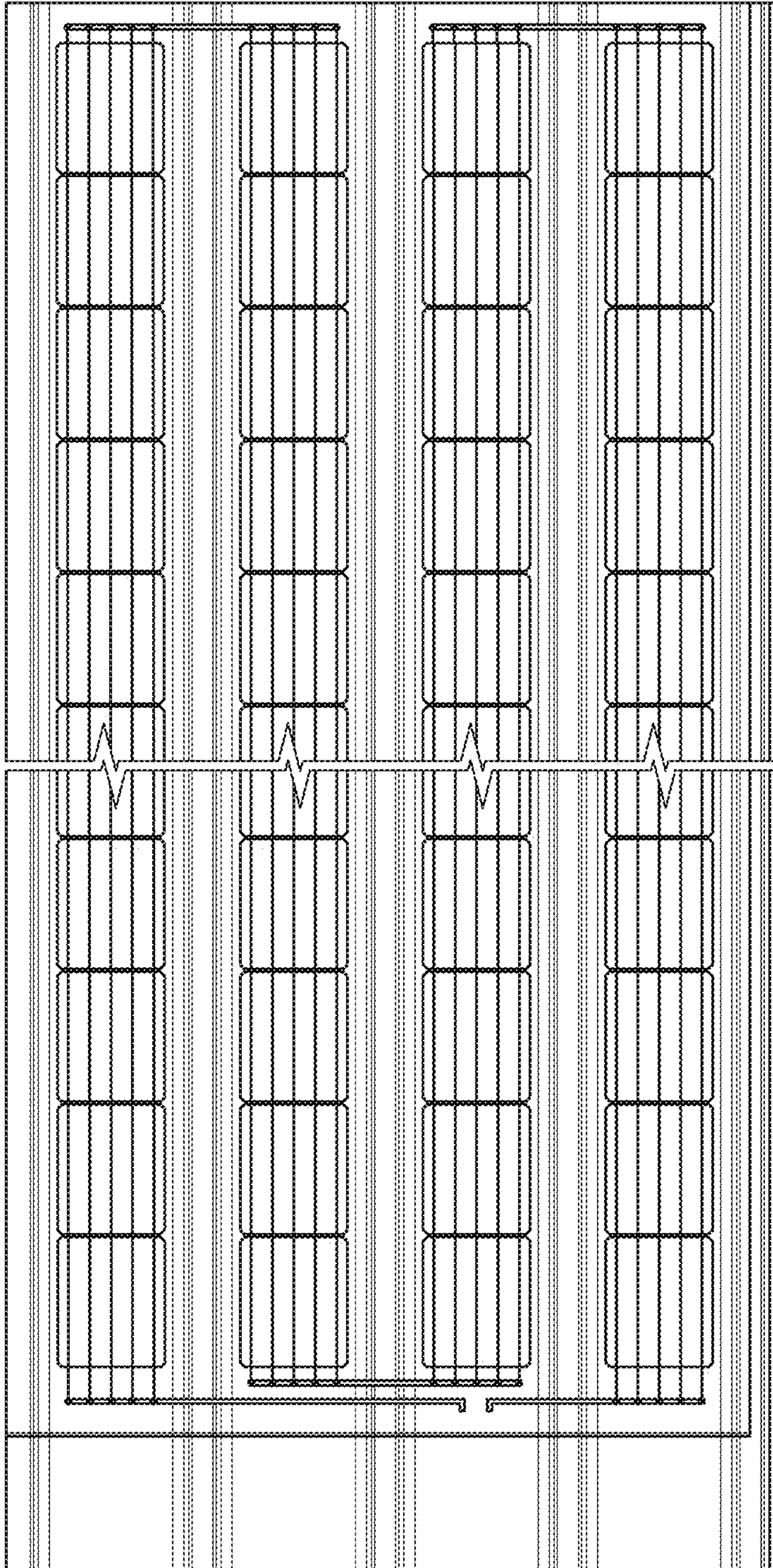


FIG. 6

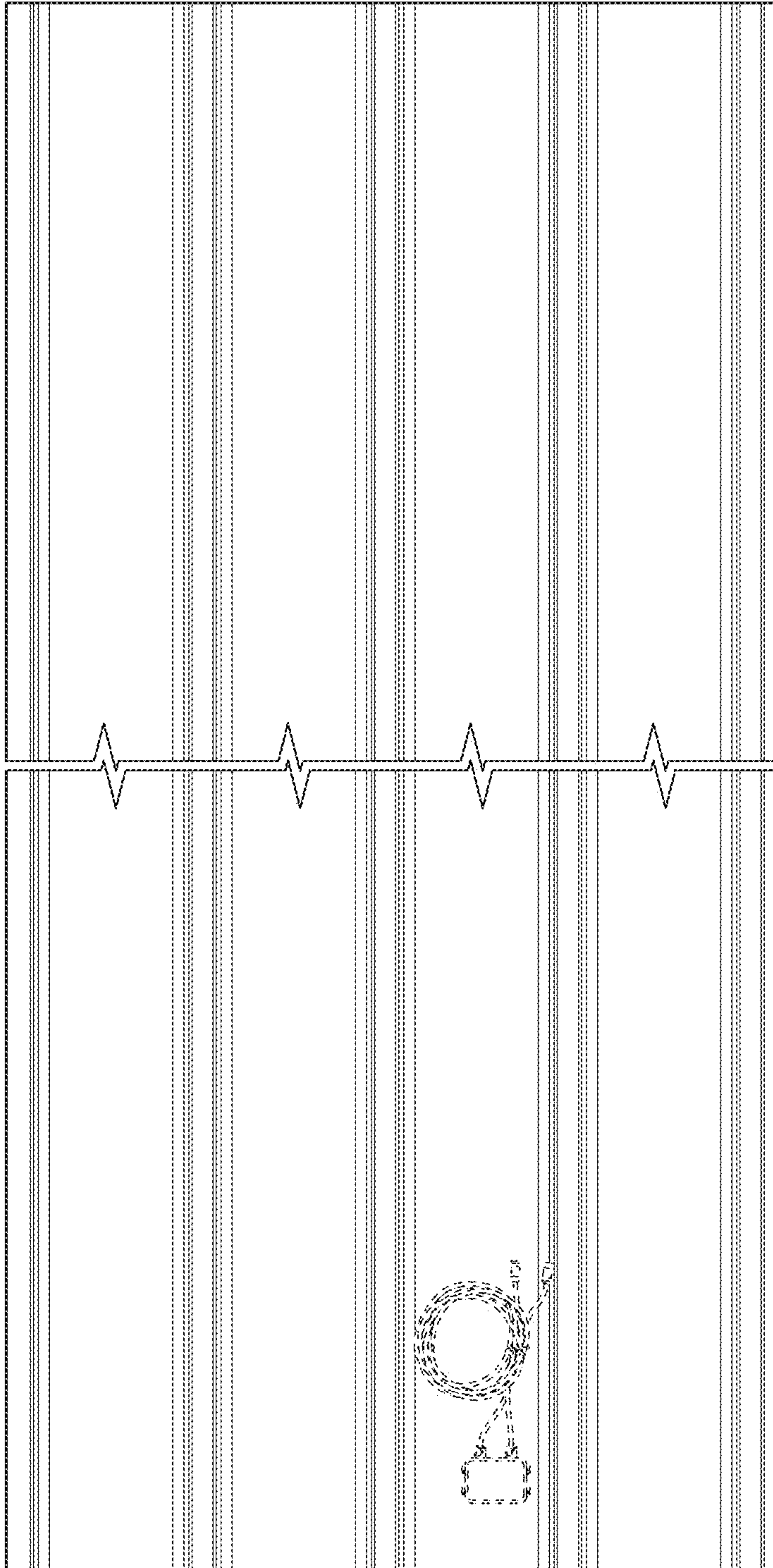


FIG. 7