



US00D926108S

(12) **United States Design Patent** (10) **Patent No.:** **US D926,108 S**  
**Leeds-Frank et al.** (45) **Date of Patent:** **\*\* Jul. 27, 2021**

(54) **MOUNT AND HOLDER FOR MOBILE DEVICE**

(71) Applicant: **iOttie, Inc.**, New York, NY (US)

(72) Inventors: **Jeremy Leeds-Frank**, Mineola, NY (US); **Bennett Gershkow**, San Rafael, CA (US); **Carlyle Patrick Yarbough**, Astoria, NY (US)

(73) Assignee: **iOttie, Inc.**, New York, NY (US)

(\*\*) Term: **15 Years**

(21) Appl. No.: **29/712,211**

(22) Filed: **Nov. 6, 2019**

(51) **LOC (13) Cl.** ..... **12-16**

(52) **U.S. Cl.**  
USPC ..... **D12/415**

(58) **Field of Classification Search**  
USPC ..... D12/415, 417, 420, 177, 182, 192, 220, D12/223, 191, 195, 345, 400, 114, 106, D12/96; D13/107-110, 118-119, 184; D14/251, 253, 432, 434; 296/70, 24.3, 296/37.18

CPC ..... B60R 21/045; B60R 7/06; B60R 7/00; B60R 2300/20; B60R 2300/205; B60R 2300/207; B60K 37/00; B60K 37/04

See application file for complete search history.

(56) **References Cited**

**U.S. PATENT DOCUMENTS**

D796,421 S \* 9/2017 Huang ..... D12/415  
D858,509 S \* 9/2019 Yao ..... D14/253

D863,205 S \* 10/2019 Lin ..... D12/415  
D864,092 S \* 10/2019 Zhang ..... D12/415  
D872,014 S \* 1/2020 Zhang ..... D13/108  
D873,272 S \* 1/2020 Dang ..... D14/447  
D877,688 S \* 3/2020 Liu ..... D12/415  
D883,271 S \* 5/2020 Liao ..... D14/253  
D894,891 S \* 9/2020 Zhang ..... D14/253  
D898,729 S \* 10/2020 Leeds Frank ..... D14/253

\* cited by examiner

*Primary Examiner* — Abraham Bahta

(74) *Attorney, Agent, or Firm* — Lucas & Mercanti, LLP

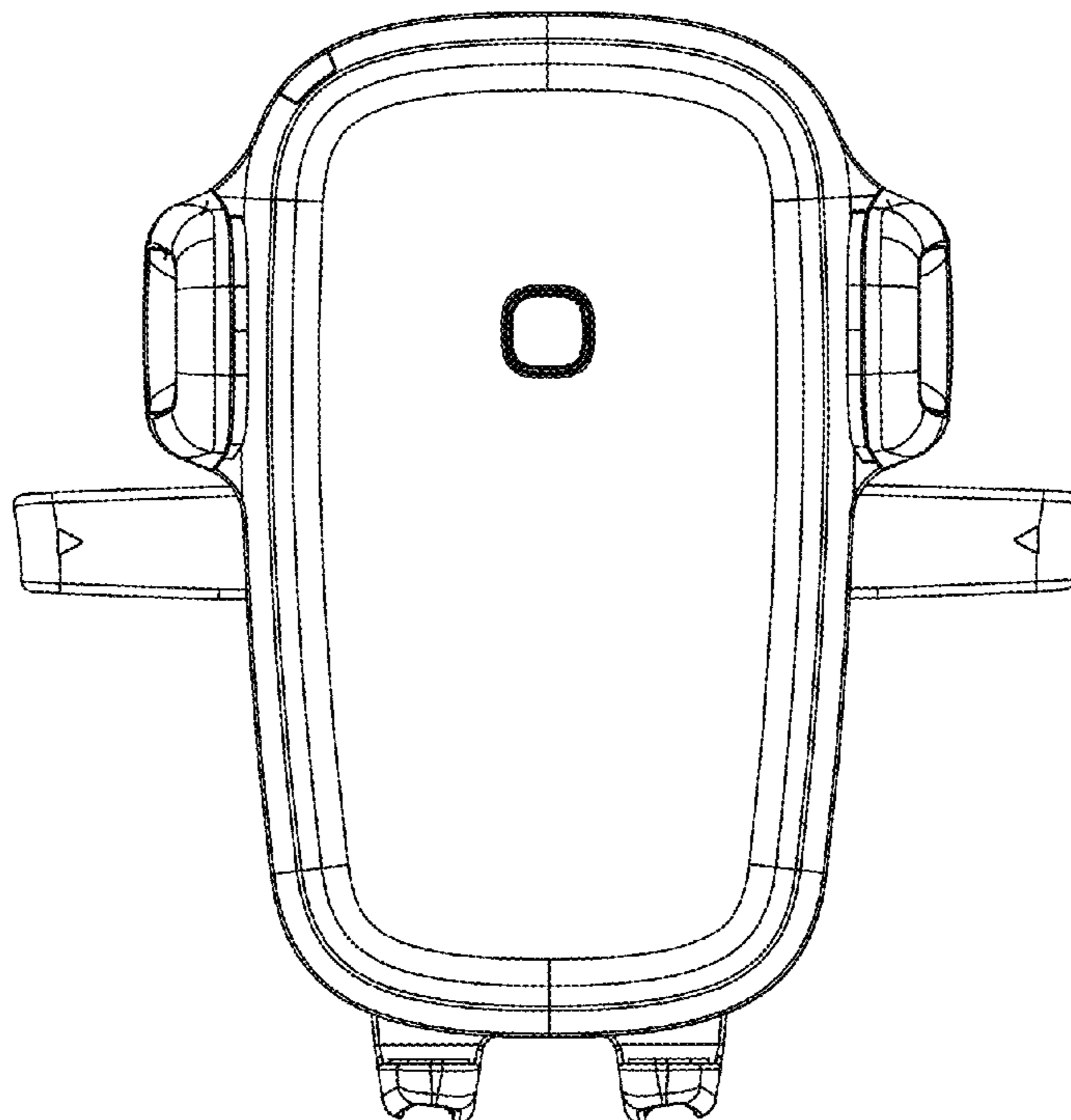
(57) **CLAIM**

The ornamental design for a mount and holder for mobile device, as shown and described.

**DESCRIPTION**

FIG. 1 is a front view of our new design for a mount and holder for mobile device;  
FIG. 2 is a rear view thereof;  
FIG. 3 is a right side view thereof;  
FIG. 4 is a left side view thereof;  
FIG. 5 is a top view thereof;  
FIG. 6 is a bottom view thereof;  
FIG. 7 is a right front bottom perspective view thereof;  
FIG. 8 is a left front top perspective view thereof;  
FIG. 9 is a left rear bottom perspective view thereof; and,  
FIG. 10 is a right rear top perspective.

**1 Claim, 10 Drawing Sheets**



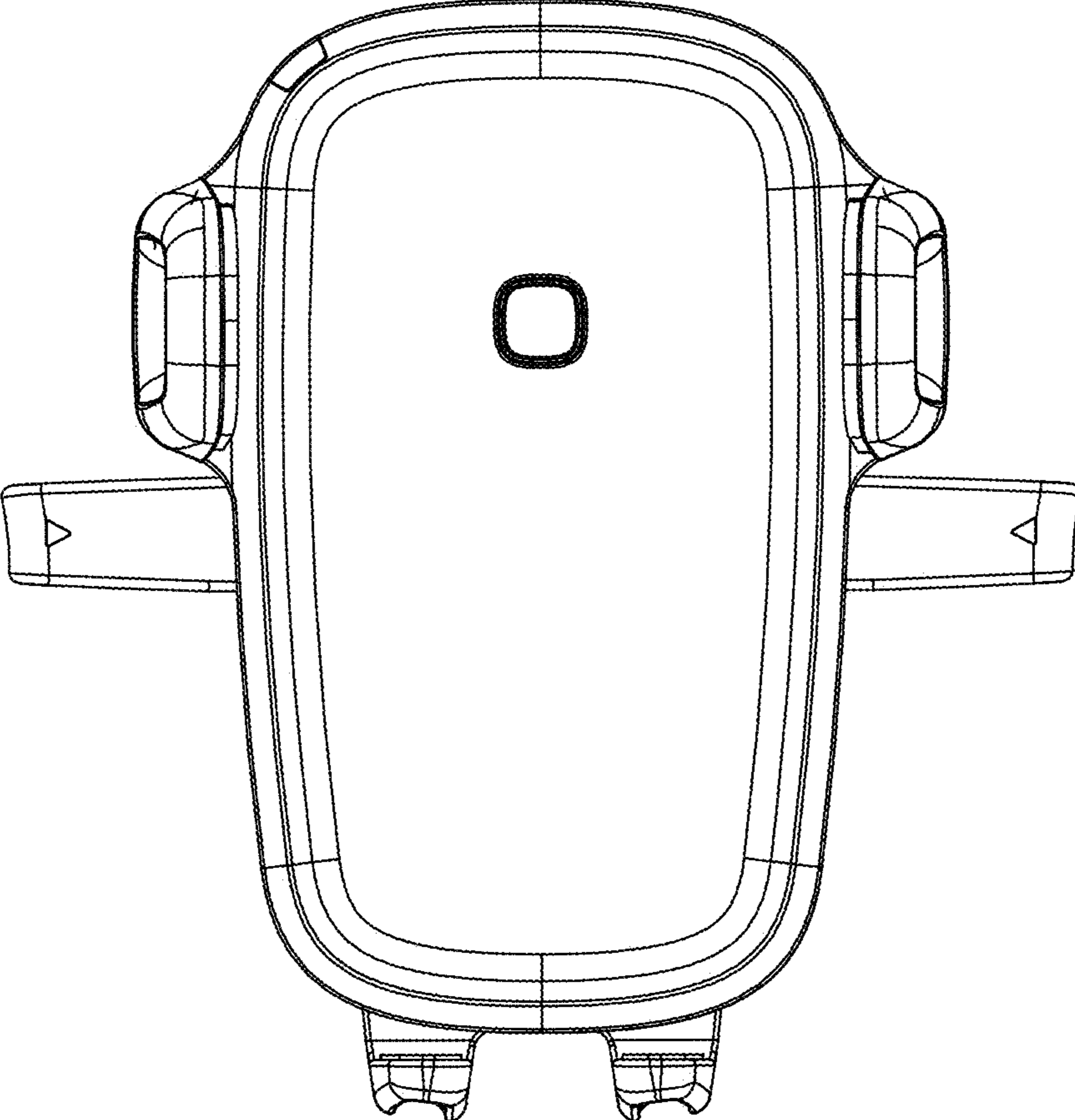


FIG. 1

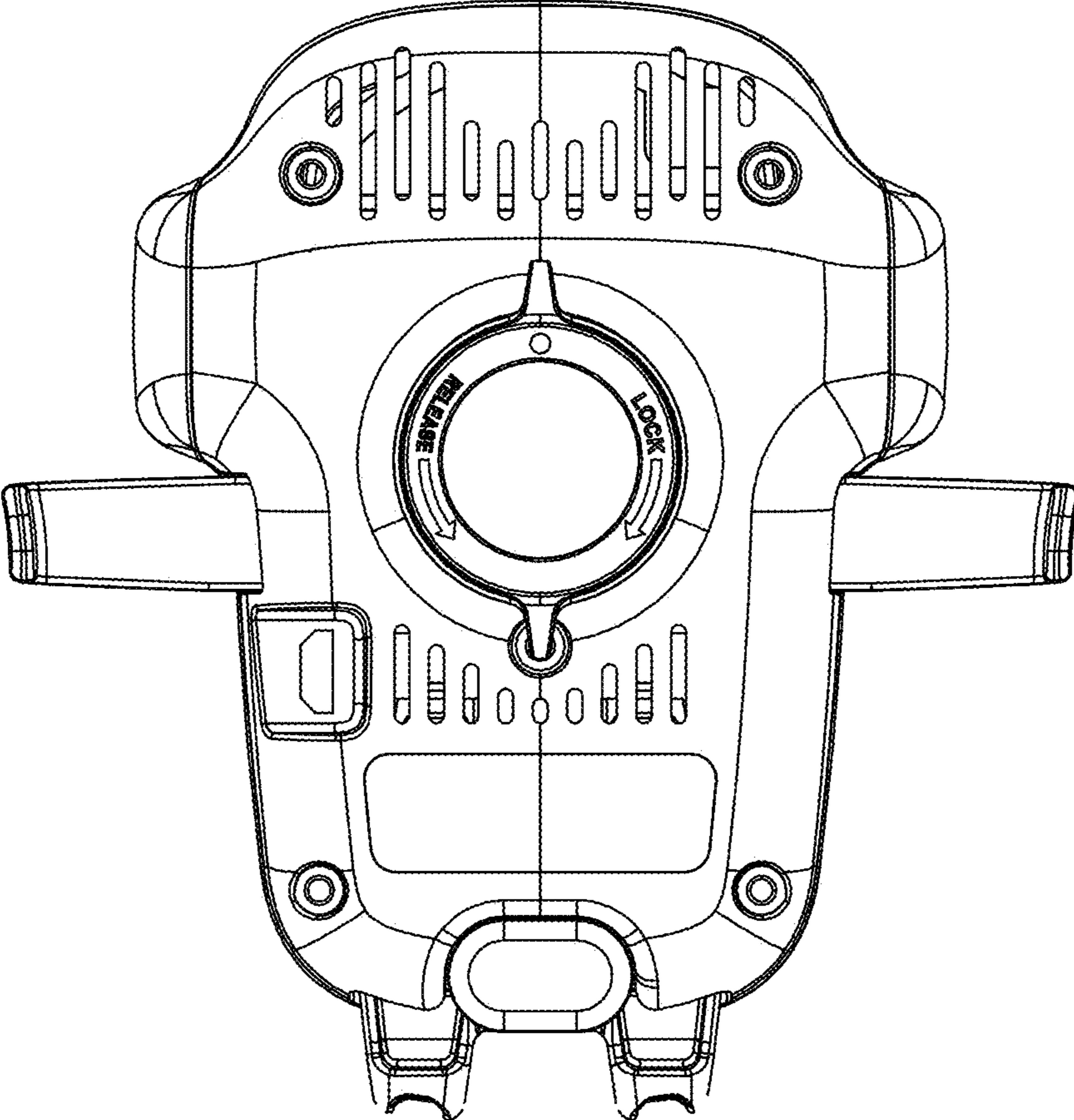


FIG. 2

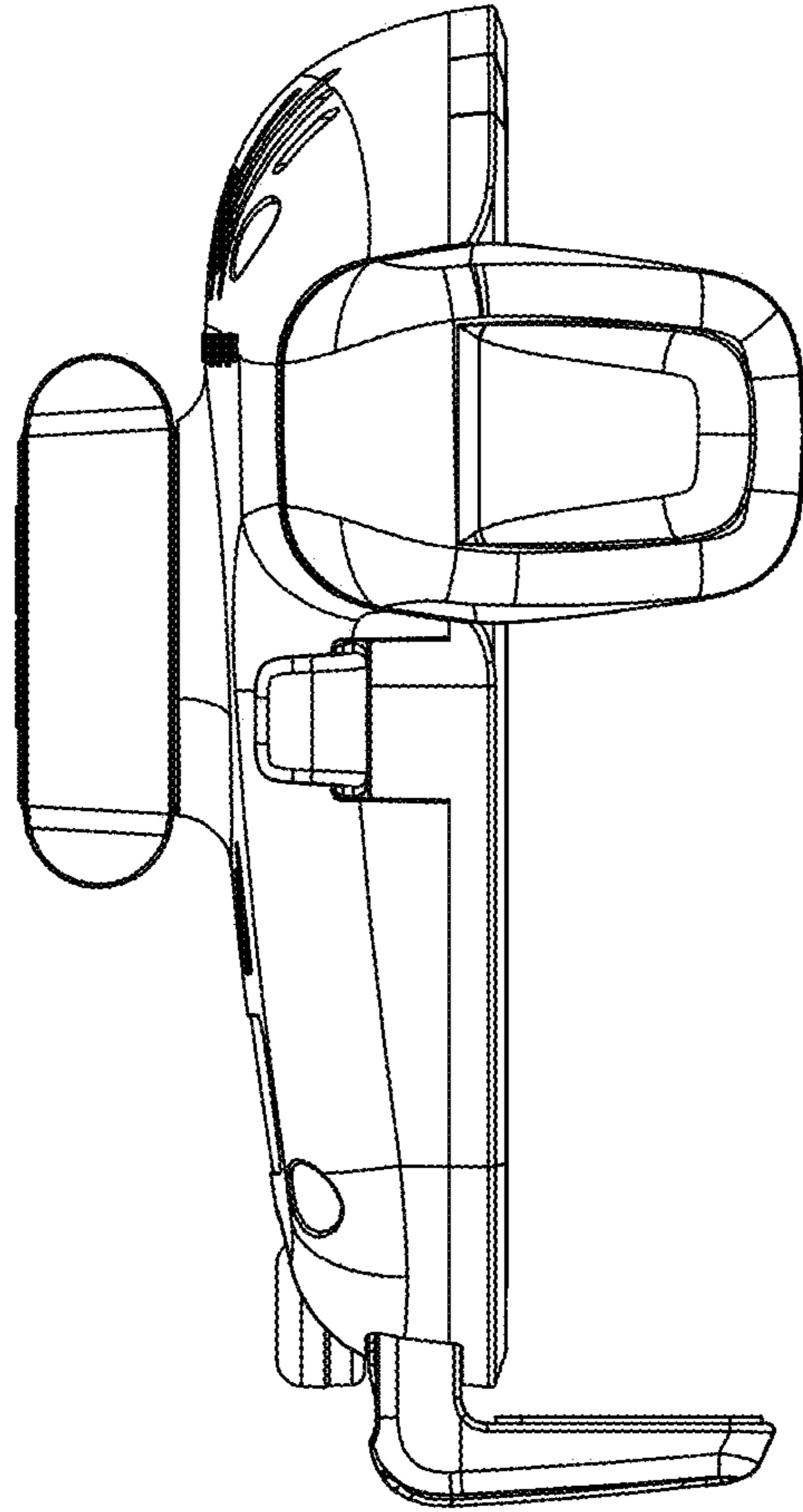


FIG. 3

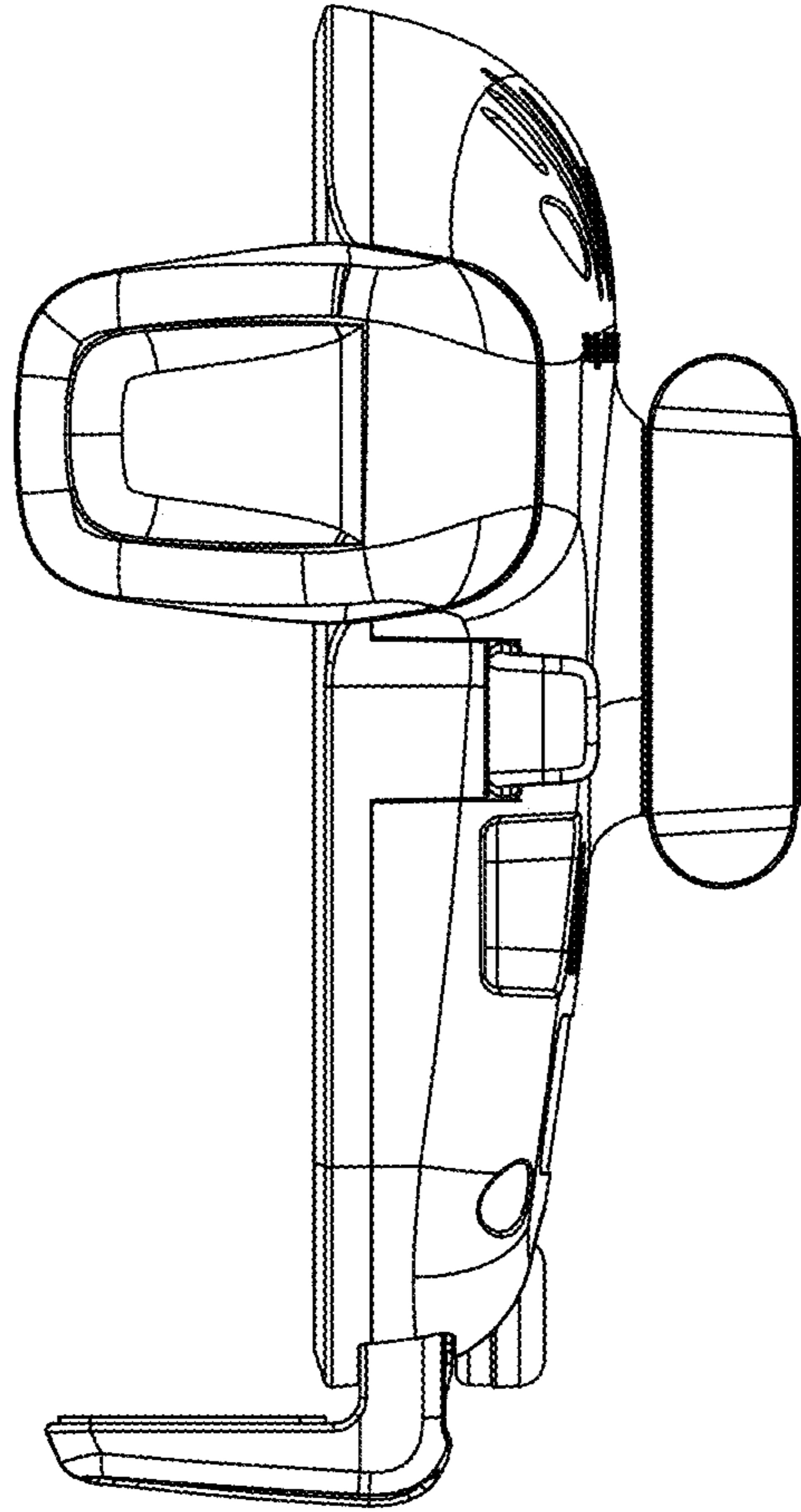


FIG. 4

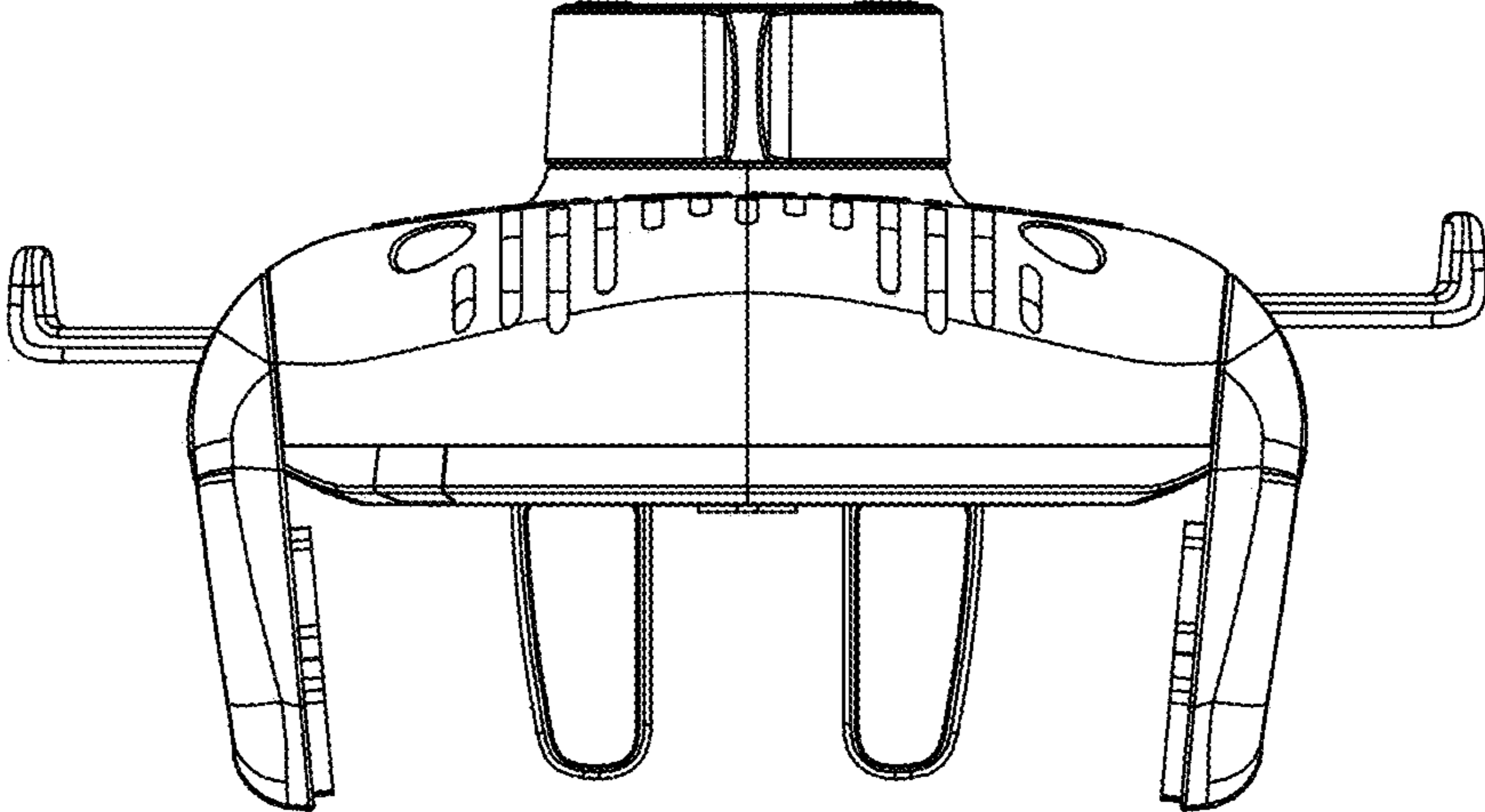


FIG. 5

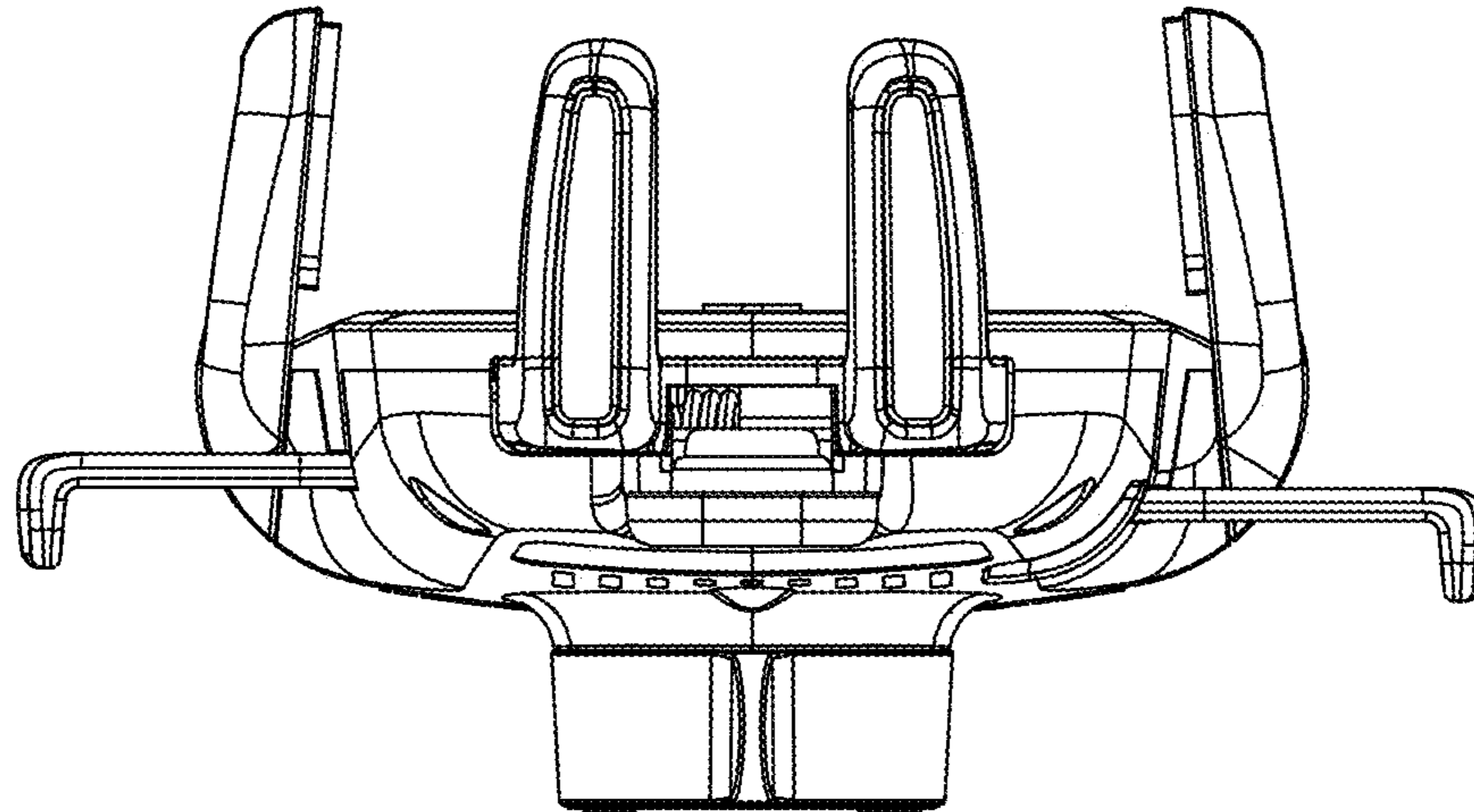


FIG. 6

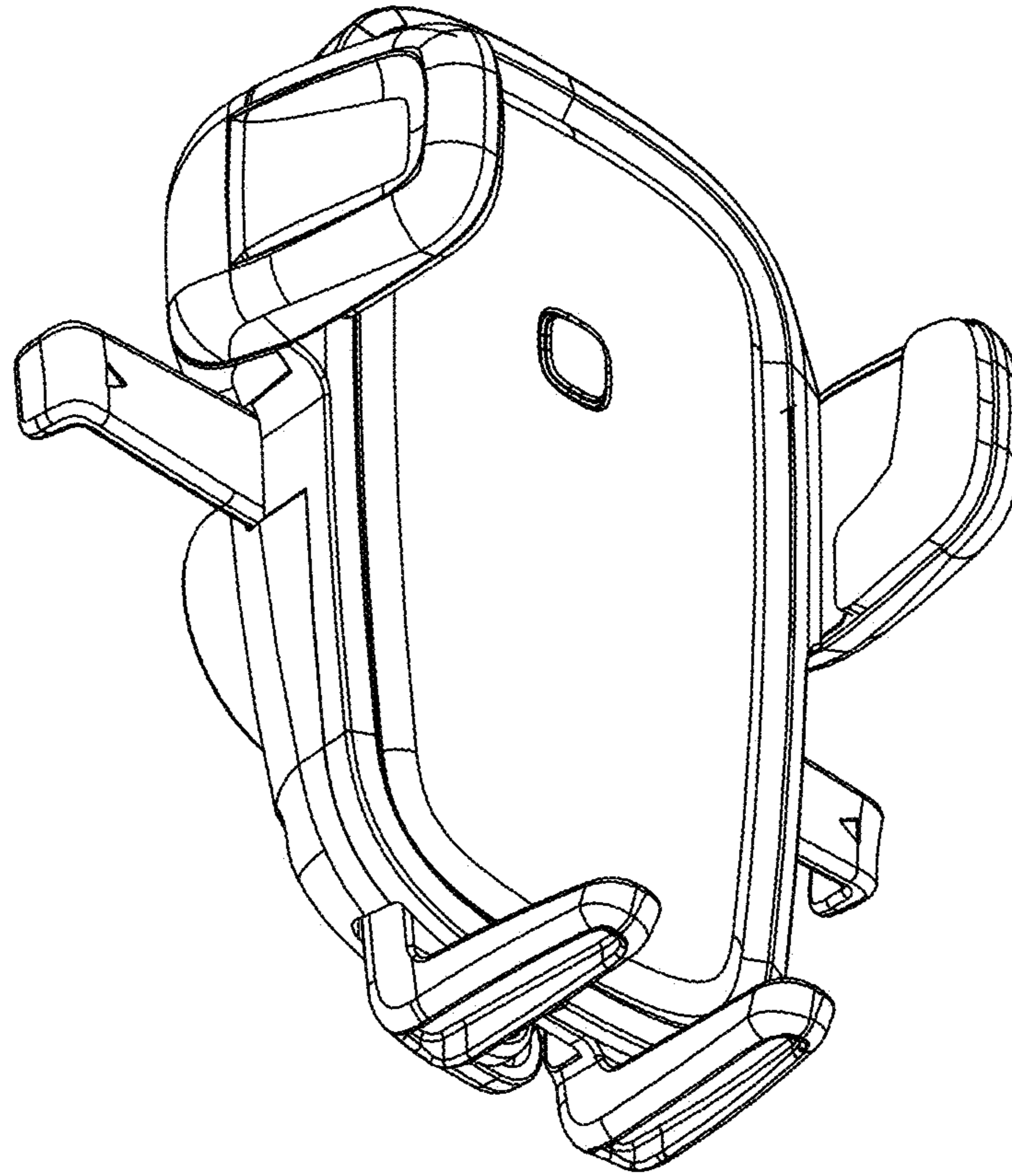


FIG. 7



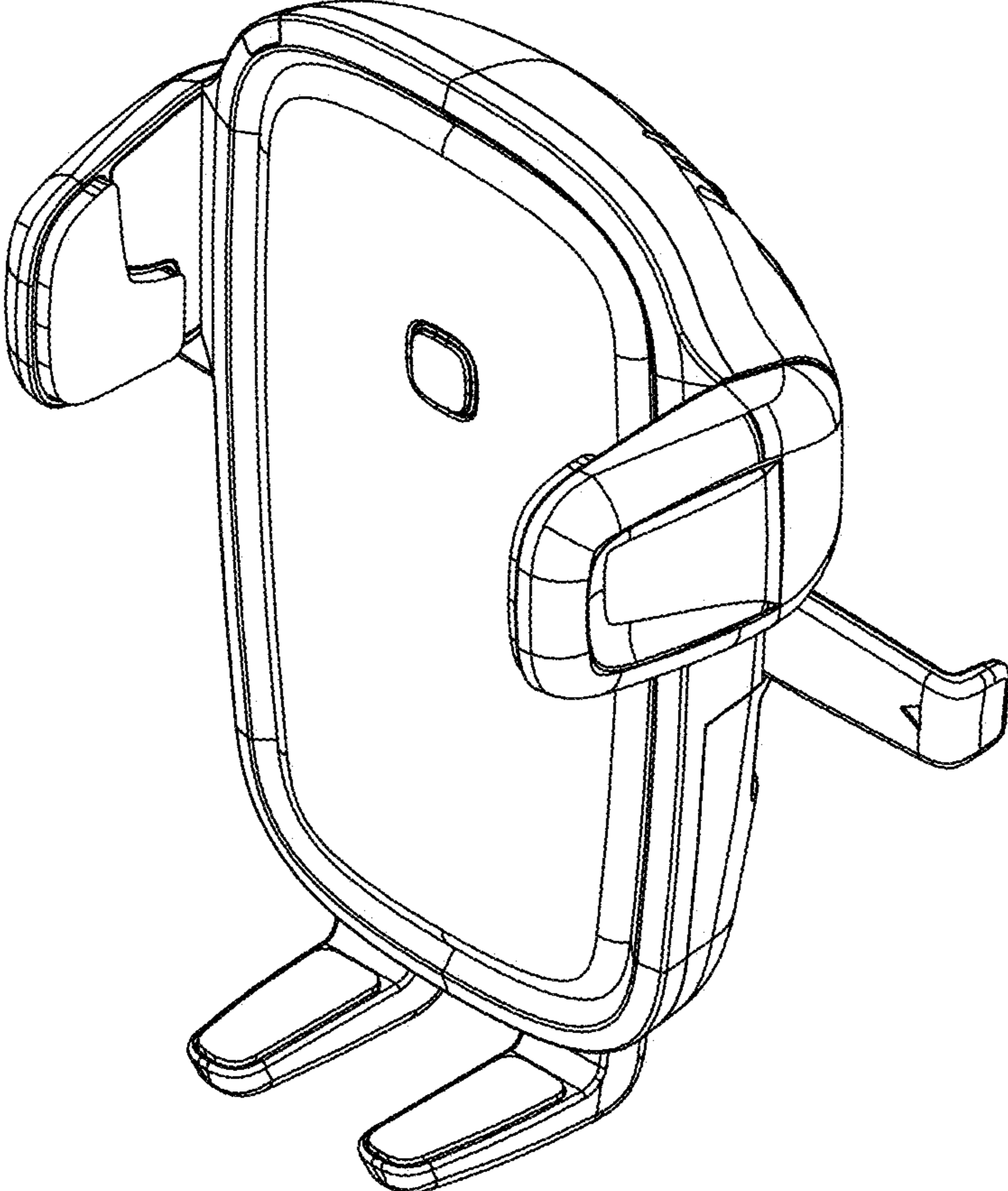


FIG. 8

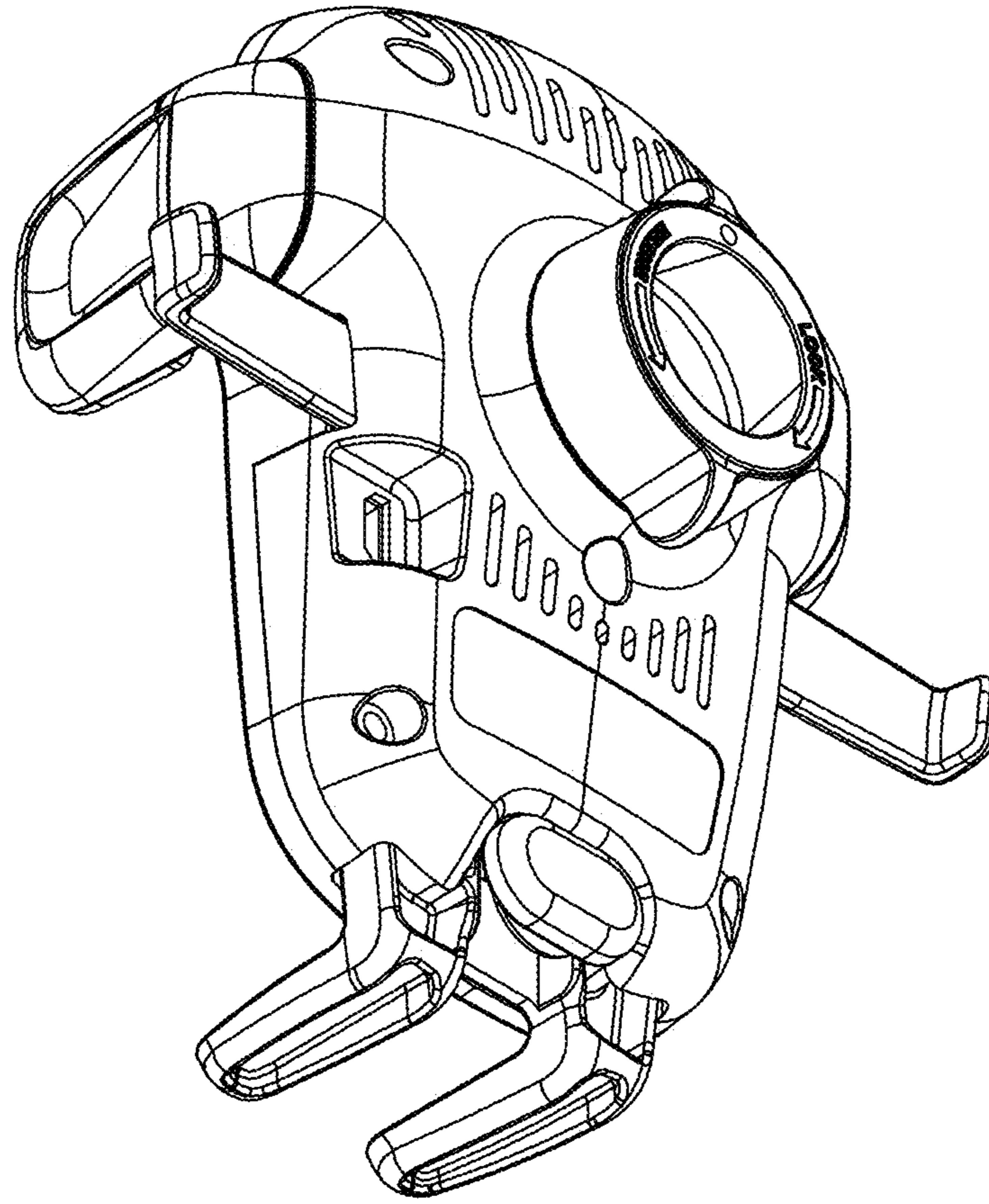


FIG. 9

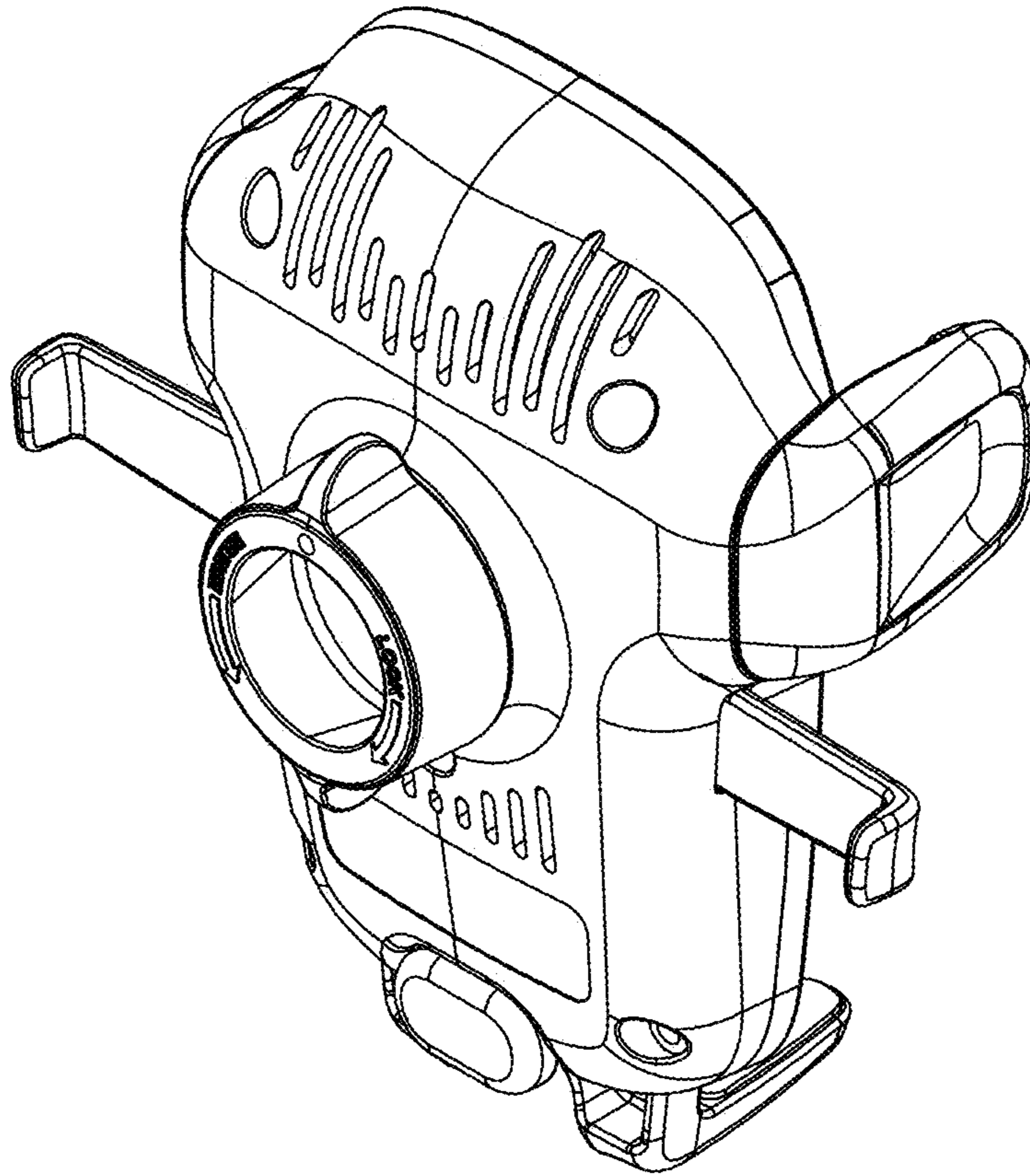


FIG. 10