



US00D926107S

(12) **United States Design Patent** (10) **Patent No.:** **US D926,107 S**
Leeds-Frank et al. (45) **Date of Patent:** **** Jul. 27, 2021**

(54) **MOUNT AND HOLDER FOR MOBILE DEVICE**

(71) Applicant: **iOttie, Inc.**, New York, NY (US)

(72) Inventors: **Jeremy Leeds-Frank**, Mineola, NY (US); **Bennett Gershkow**, San Rafael, CA (US); **Carlyle Patrick Yarbough**, Astoria, NY (US)

(73) Assignee: **iOttie, Inc.**, New York, NY (US)

(**) Term: **15 Years**

(21) Appl. No.: **29/712,207**

(22) Filed: **Nov. 6, 2019**

(51) **LOC (13) Cl.** **12-16**

(52) **U.S. Cl.**
USPC **D12/415**

(58) **Field of Classification Search**
USPC D12/415, 417, 420, 177, 182, 192, 220, D12/223, 191, 195, 345, 400, 114, 106, D12/96; D13/107-110, 118-119, 184; D14/251, 253, 432, 434; 296/70, 24.3
CPC B60R 21/045; B60R 7/06; B60R 7/00; B60R 2300/20; B60R 2300/205; B60R 2300/207; B60K 37/00; B60K 37/04

See application file for complete search history.

(56) **References Cited**

U.S. PATENT DOCUMENTS

D852,188 S *	6/2019	He	D14/253
D859,286 S *	9/2019	He	D12/415
D864,092 S *	10/2019	Zhang	D12/415
D873,260 S *	1/2020	Dang	D14/253
D894,891 S *	9/2020	Zhang	D14/253

* cited by examiner

Primary Examiner — Abraham Bahta

(74) *Attorney, Agent, or Firm* — Lucas & Mercanti, LLP

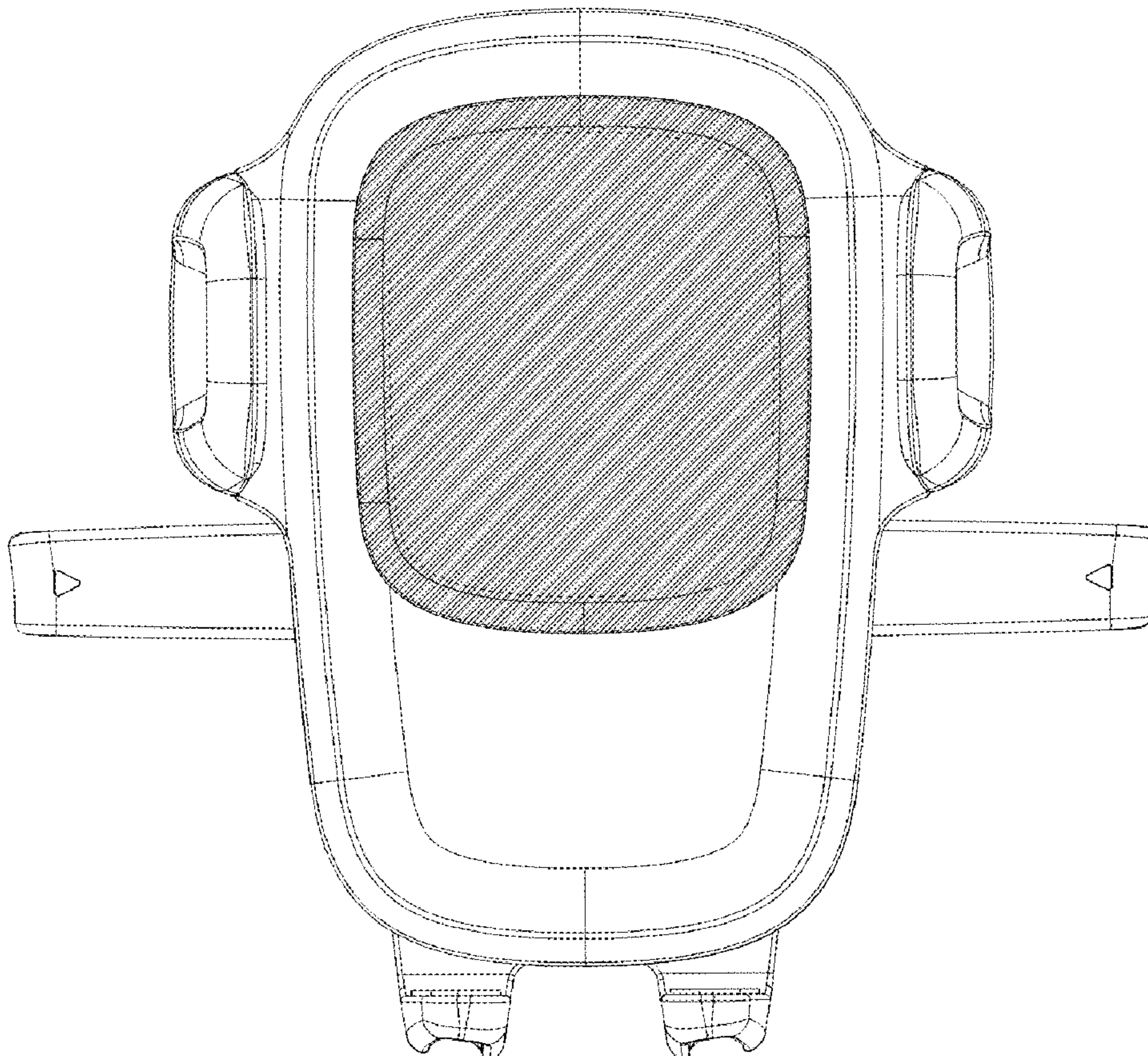
(57) **CLAIM**

The ornamental design for a mount and holder for mobile device, as shown and described.

DESCRIPTION

FIG. 1 is a front view of our new design for a mount and holder for mobile device;
FIG. 2 is a rear view thereof;
FIG. 3 is a top view thereof;
FIG. 4 is a bottom view thereof;
FIG. 5 is a right side view thereof;
FIG. 6 is a left side view thereof;
FIG. 7 is a rear right top perspective view thereof;
FIG. 8 is a left front top perspective view thereof; and,
FIG. 9 is a left rear bottom perspective.

1 Claim, 9 Drawing Sheets



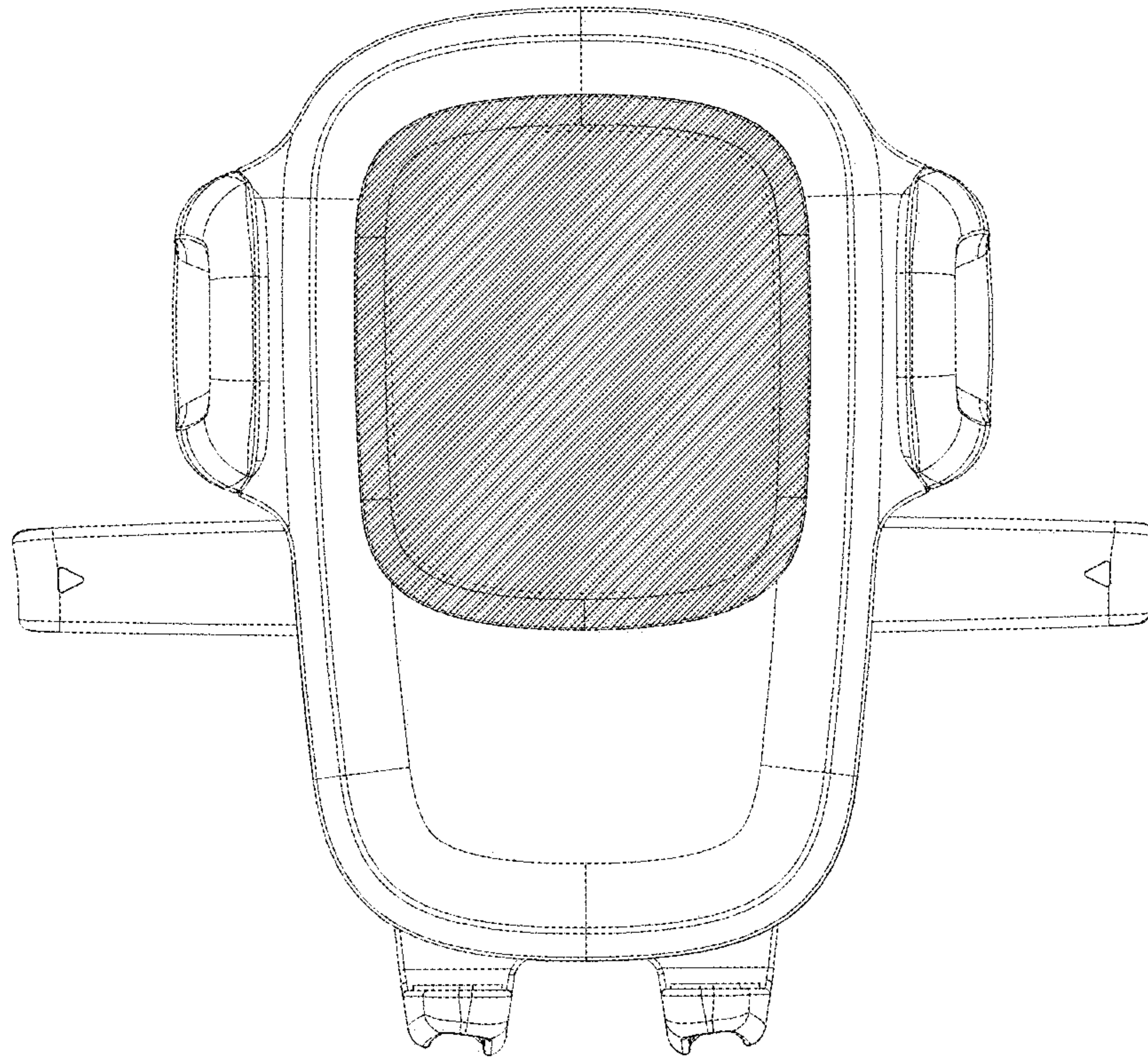


FIG. 1

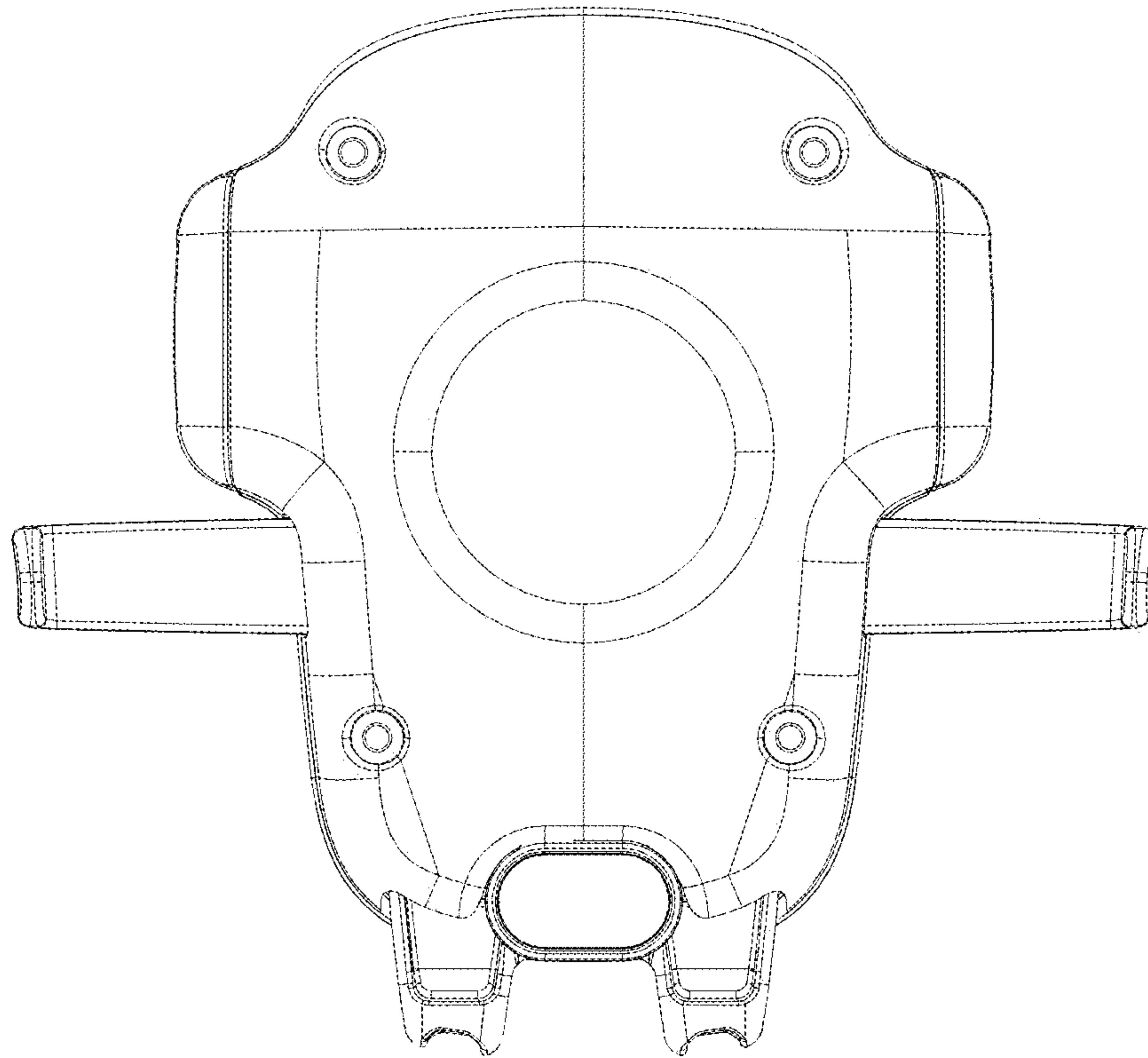


FIG. 2

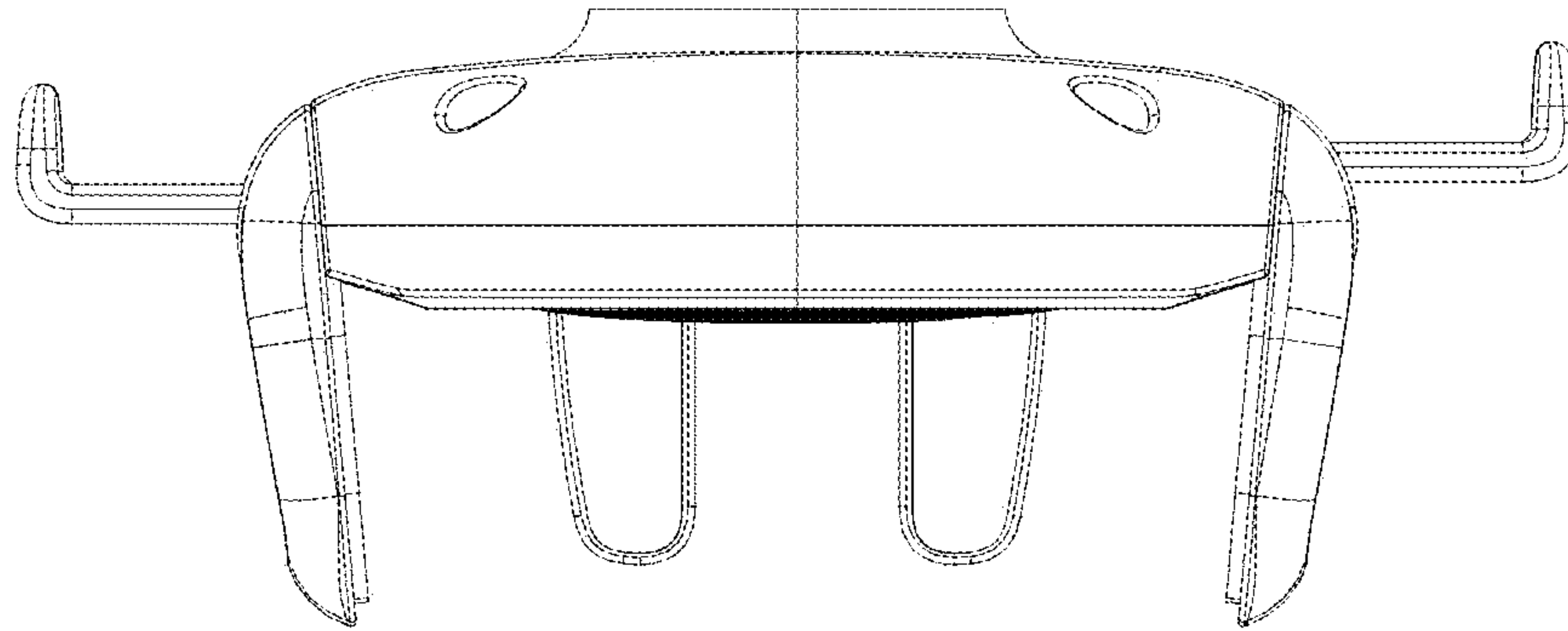


FIG. 3

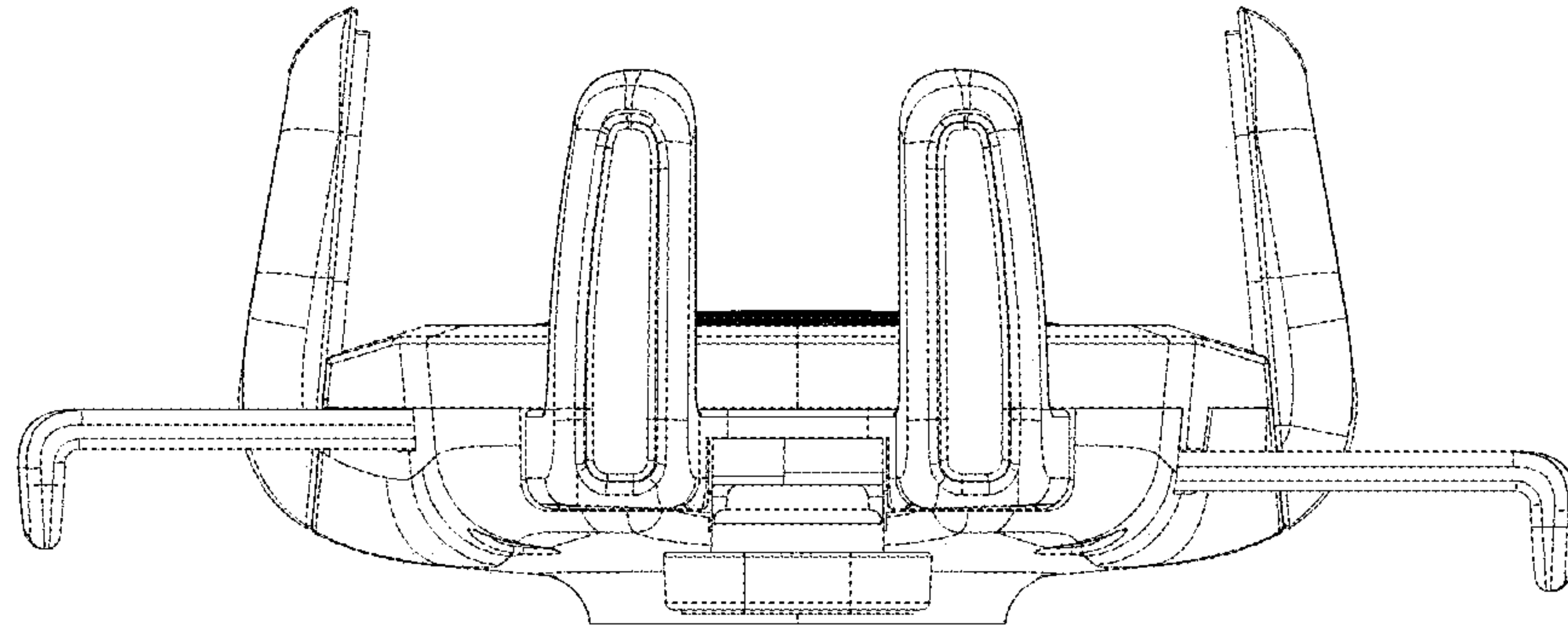


FIG. 4

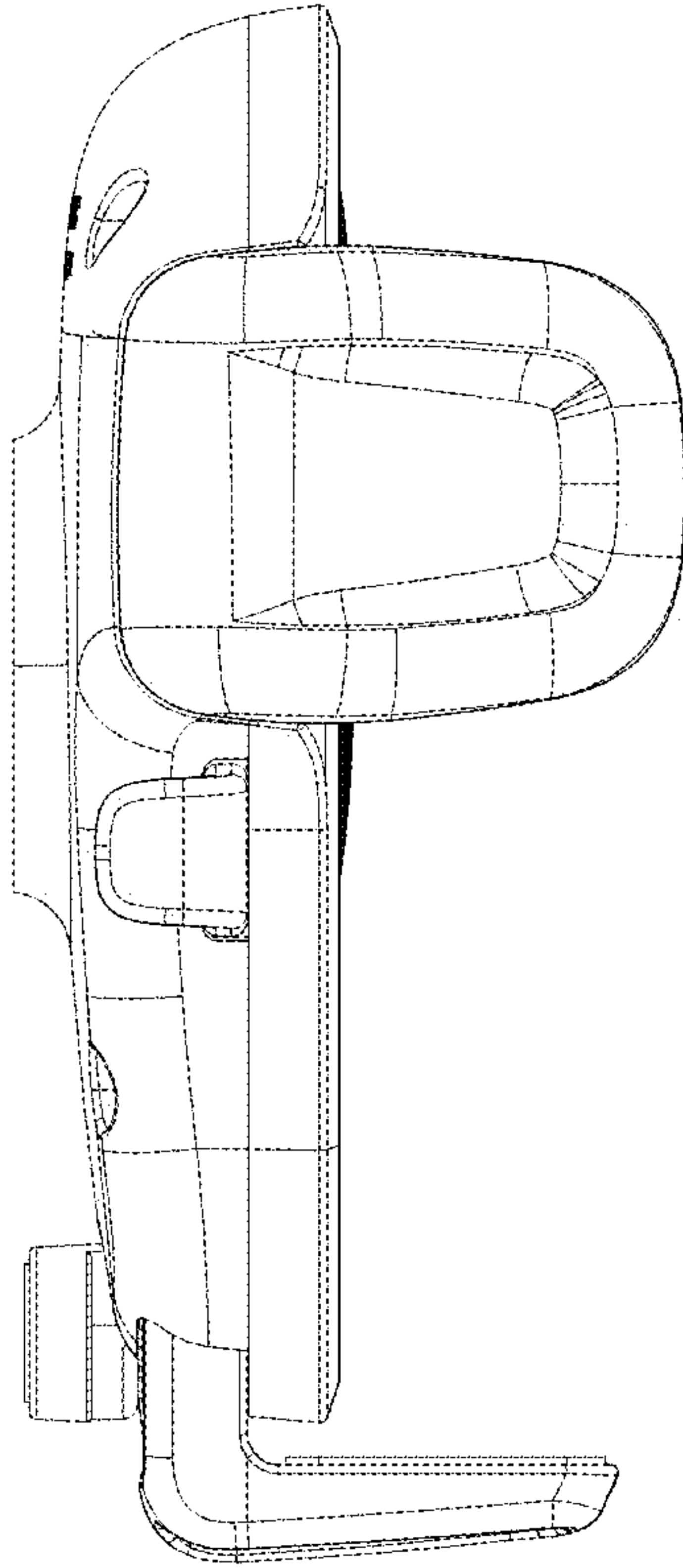


FIG. 5

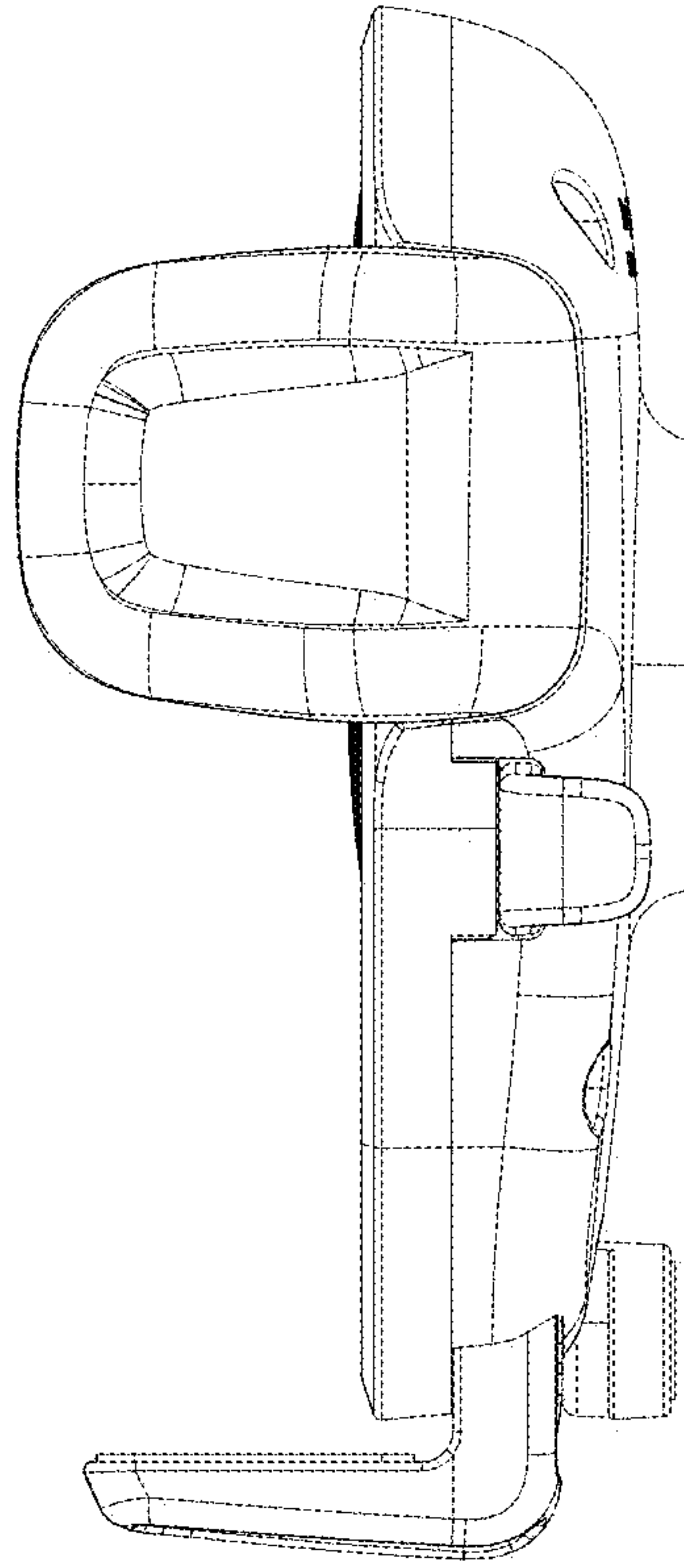


FIG. 6

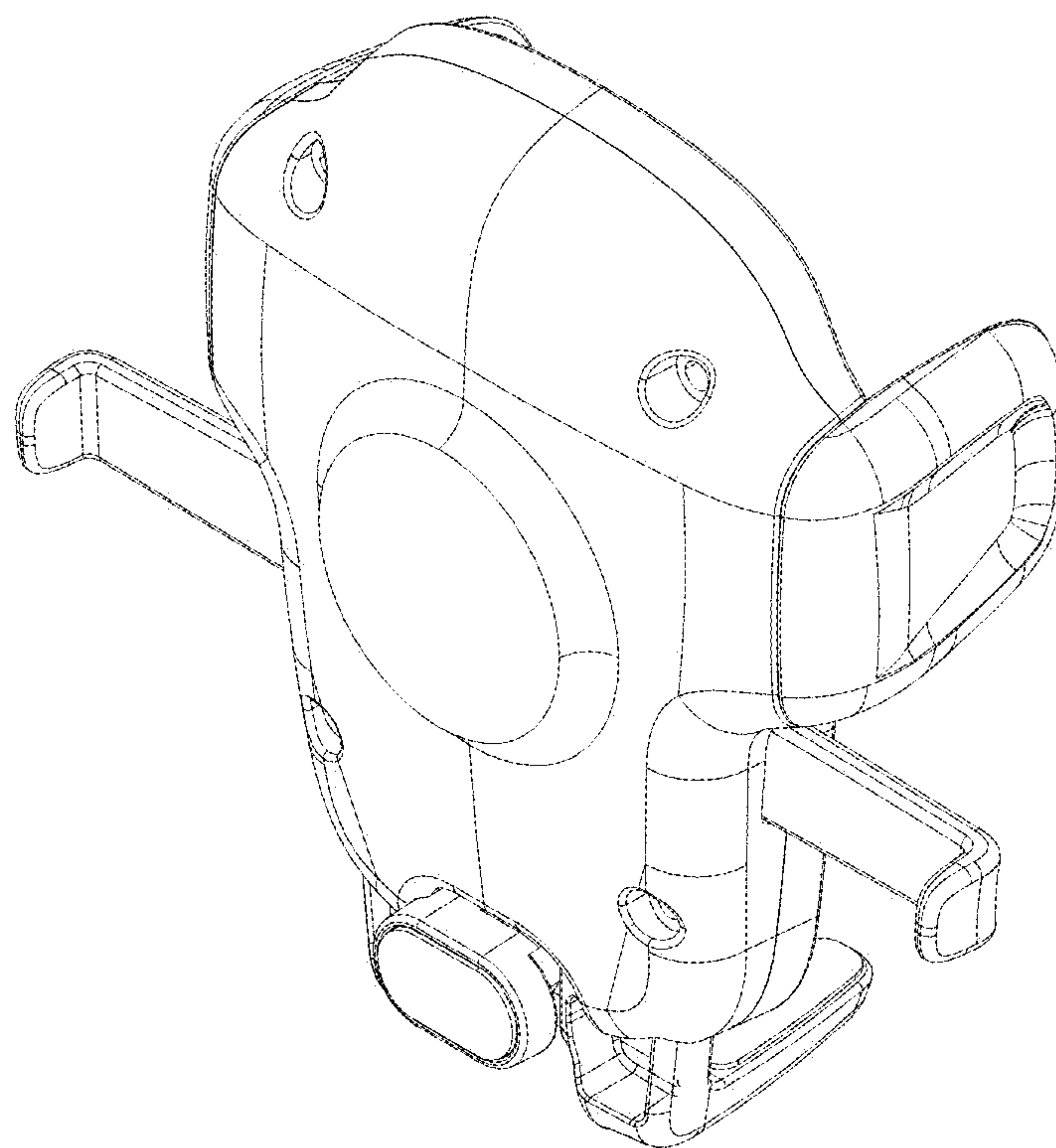


FIG. 7

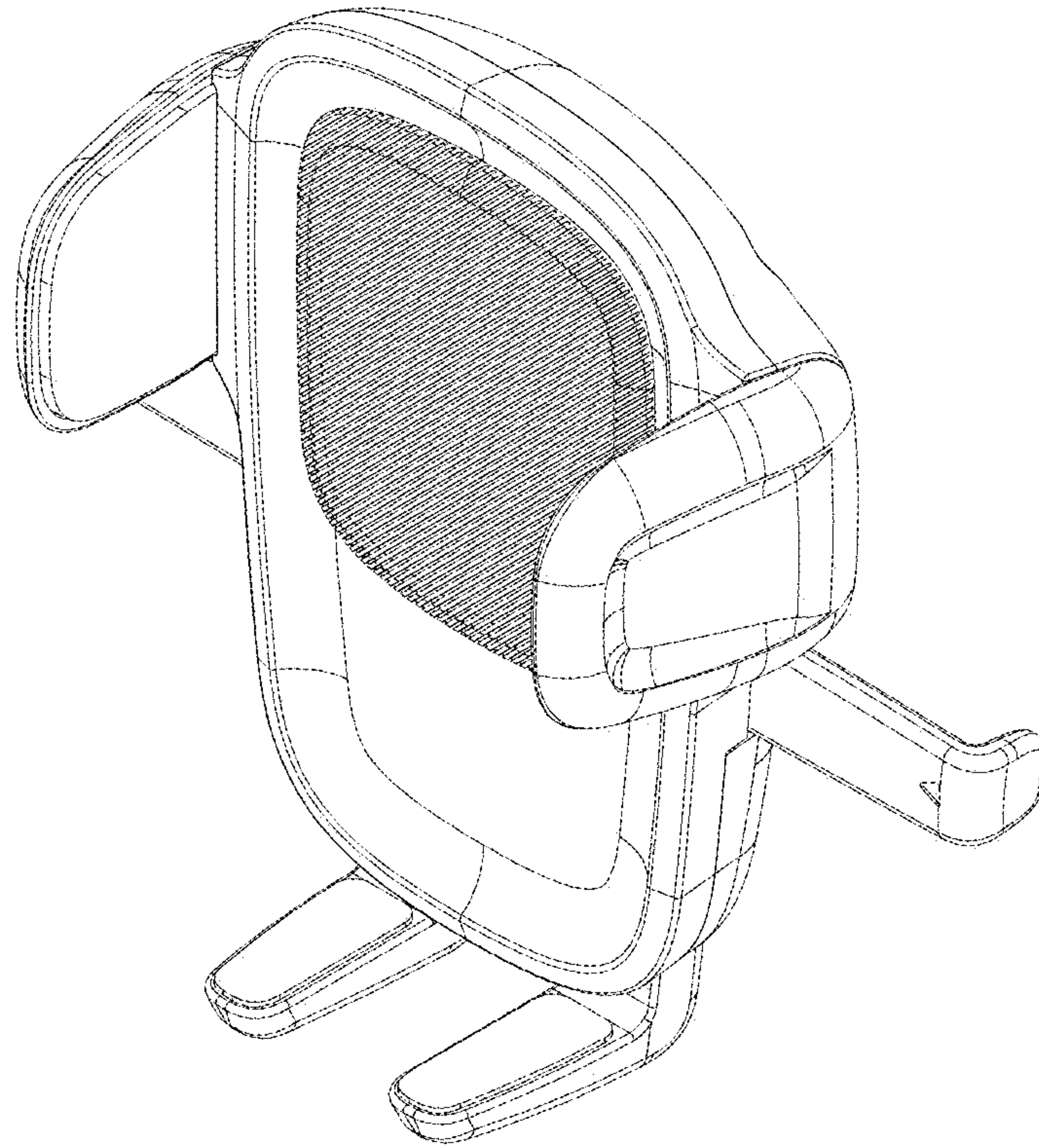


FIG. 8

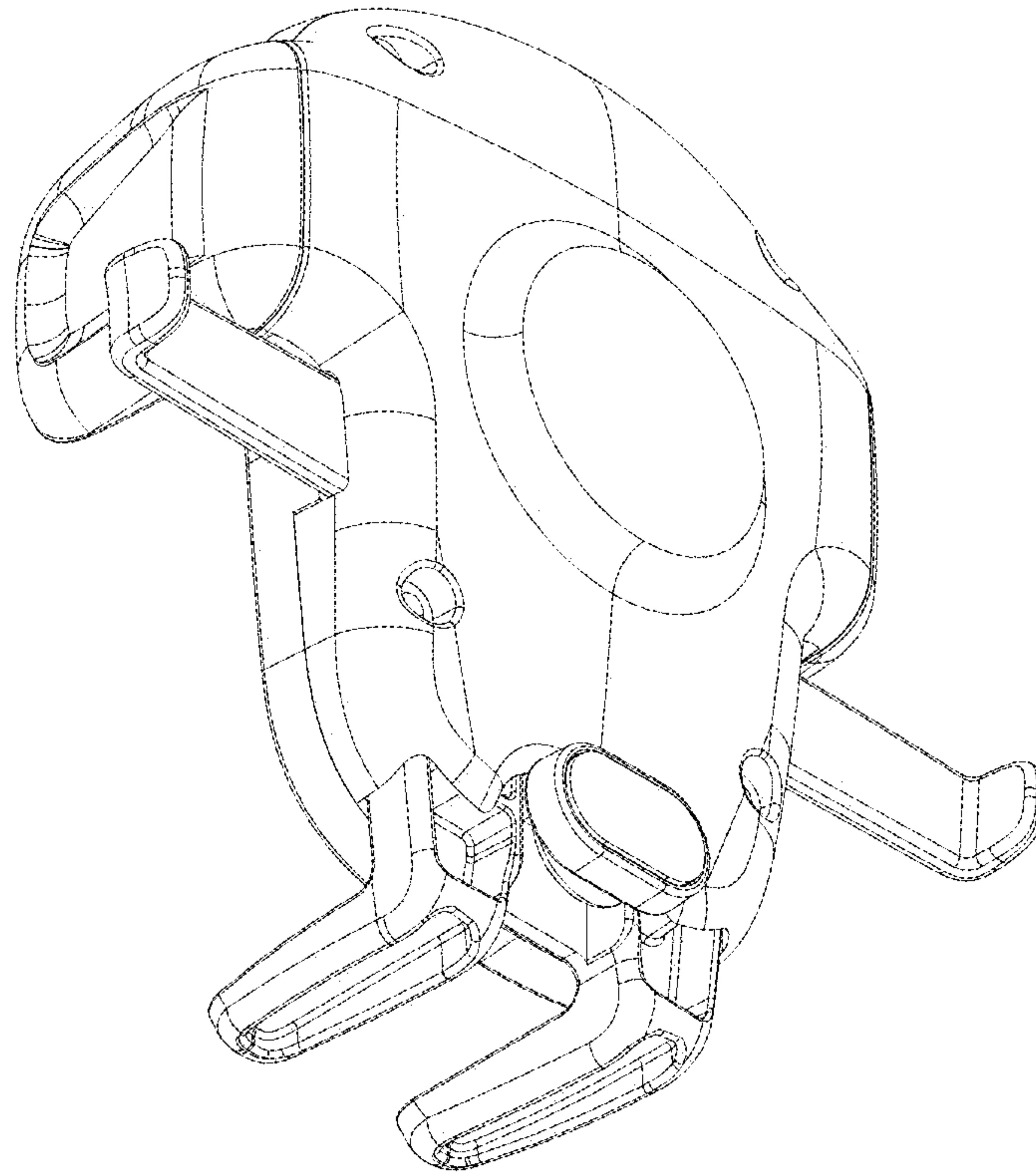


FIG. 9