



US00D926106S

(12) **United States Design Patent**  
**Wang et al.**

(10) **Patent No.:** **US D926,106 S**

(45) **Date of Patent:** **\*\* Jul. 27, 2021**

(54) **ROOF RACK**

(71) Applicant: **Ningbo Chenfan Auto Accessories Co., Ltd., Cixi (CN)**

(72) Inventors: **Baorong Wang, Cixi (CN); Shouguang Huo, Cixi (CN)**

(73) Assignee: **NINGBO CHENFAN AUTO ACCESSORIES CO., LTD., Cixi (CN)**

(\*\*) Term: **15 Years**

(21) Appl. No.: **29/685,037**

(22) Filed: **Mar. 26, 2019**

(51) **LOC (13) Cl.** ..... **12-16**

(52) **U.S. Cl.**  
USPC ..... **D12/406**

(58) **Field of Classification Search**  
USPC ..... D12/401-414; D6/552, 610-611;  
D3/304-306  
CPC .... B60R 9/00; B60R 9/02; B60R 9/04; B60R 9/08; B60R 9/042; B60R 9/0423; B60R 9/0426; B60R 9/045; B60R 9/048; B60R 9/0485; B60R 9/05; B60R 9/052; B60R 9/055; B60R 9/058; B60R 9/06; B60R 9/065; B60R 9/10; B60R 9/12  
See application file for complete search history.

(56) **References Cited**

**U.S. PATENT DOCUMENTS**

D768,556 S \* 10/2016 McFadden ..... D12/414  
D769,790 S \* 10/2016 McFadden ..... D12/414  
D831,562 S \* 10/2018 Salsi ..... D12/412  
D855,551 S \* 8/2019 Shen ..... D12/412  
D856,901 S \* 8/2019 Elliott ..... D12/412

D869,379 S \* 12/2019 Eriksson ..... D12/414  
D874,384 S \* 2/2020 Salsi ..... D12/406  
D886,707 S \* 6/2020 Stoneburner ..... D12/406  
D906,223 S \* 12/2020 Larsson ..... D12/406  
D906,225 S \* 12/2020 Eriksson ..... D12/412  
D921,568 S \* 6/2021 Xia ..... D12/412  
2011/0174853 A1 \* 7/2011 Hubbard ..... B60R 9/058  
224/309  
2018/0236946 A1 \* 8/2018 Shen ..... B60R 9/052

\* cited by examiner

*Primary Examiner* — Katrina A Betton

(74) *Attorney, Agent, or Firm* — Bayramoglu Law Offices LLC

(57) **CLAIM**

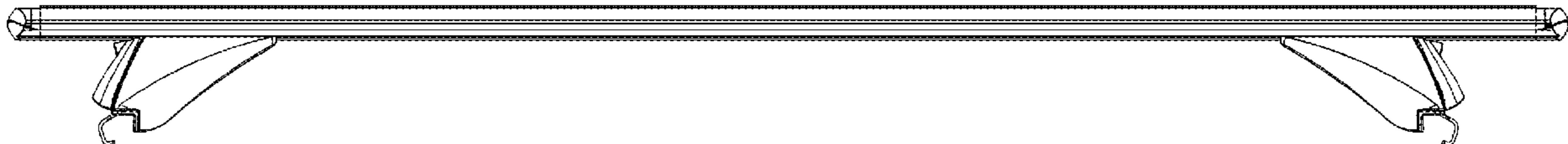
The ornamental design for roof rack, as shown and described.

**DESCRIPTION**

FIG. 1 is a perspective view of roof rack, showing my new design;  
FIG. 2 is another perspective view thereof;  
FIG. 3 is a front view thereof;  
FIG. 4 is a rear view thereof;  
FIG. 5 is an enlarged left view thereof,  
FIG. 6 is an enlarged right view thereof,  
FIG. 7 is a top view thereof,  
FIG. 8 is a bottom view thereof; and,  
FIG. 9 is a partially enlarged view of the indicated area "9" in FIG. 2.

The dot-dash broken lines indicating an enlargement portion of the design form no part of the claimed design.

**1 Claim, 9 Drawing Sheets**



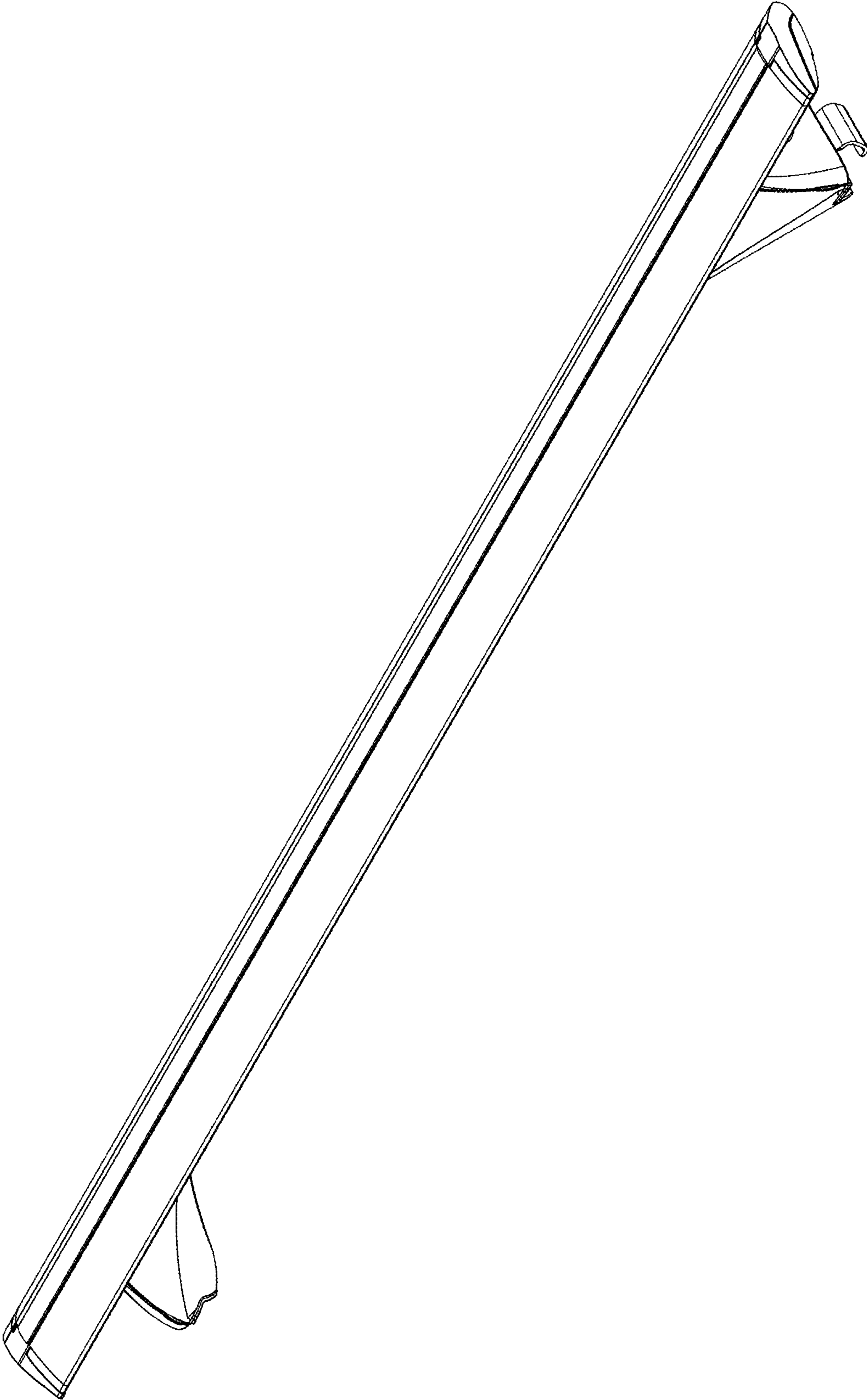


FIG. 1

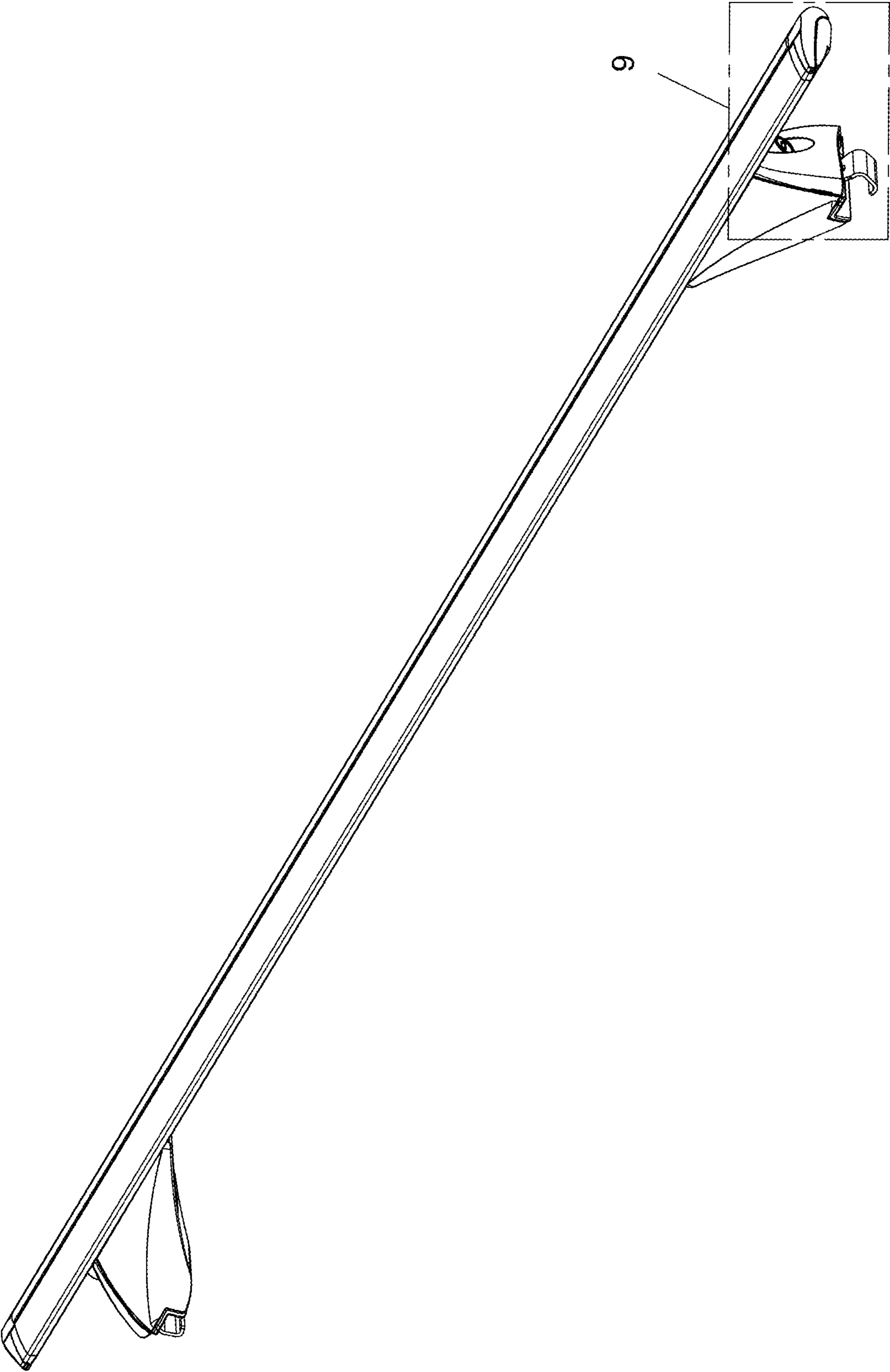


FIG. 2

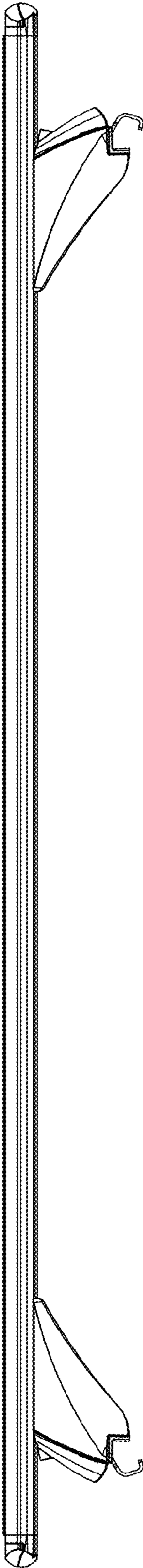


FIG. 3

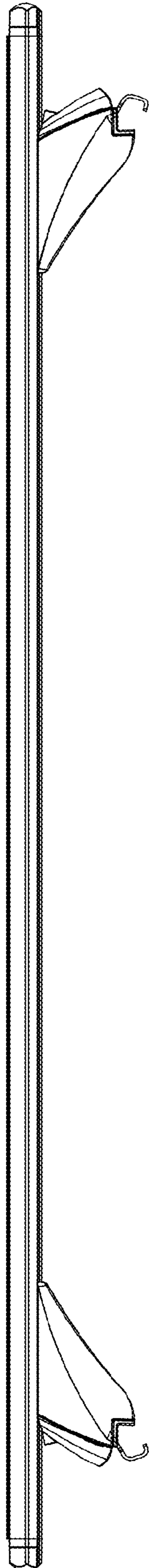


FIG. 4

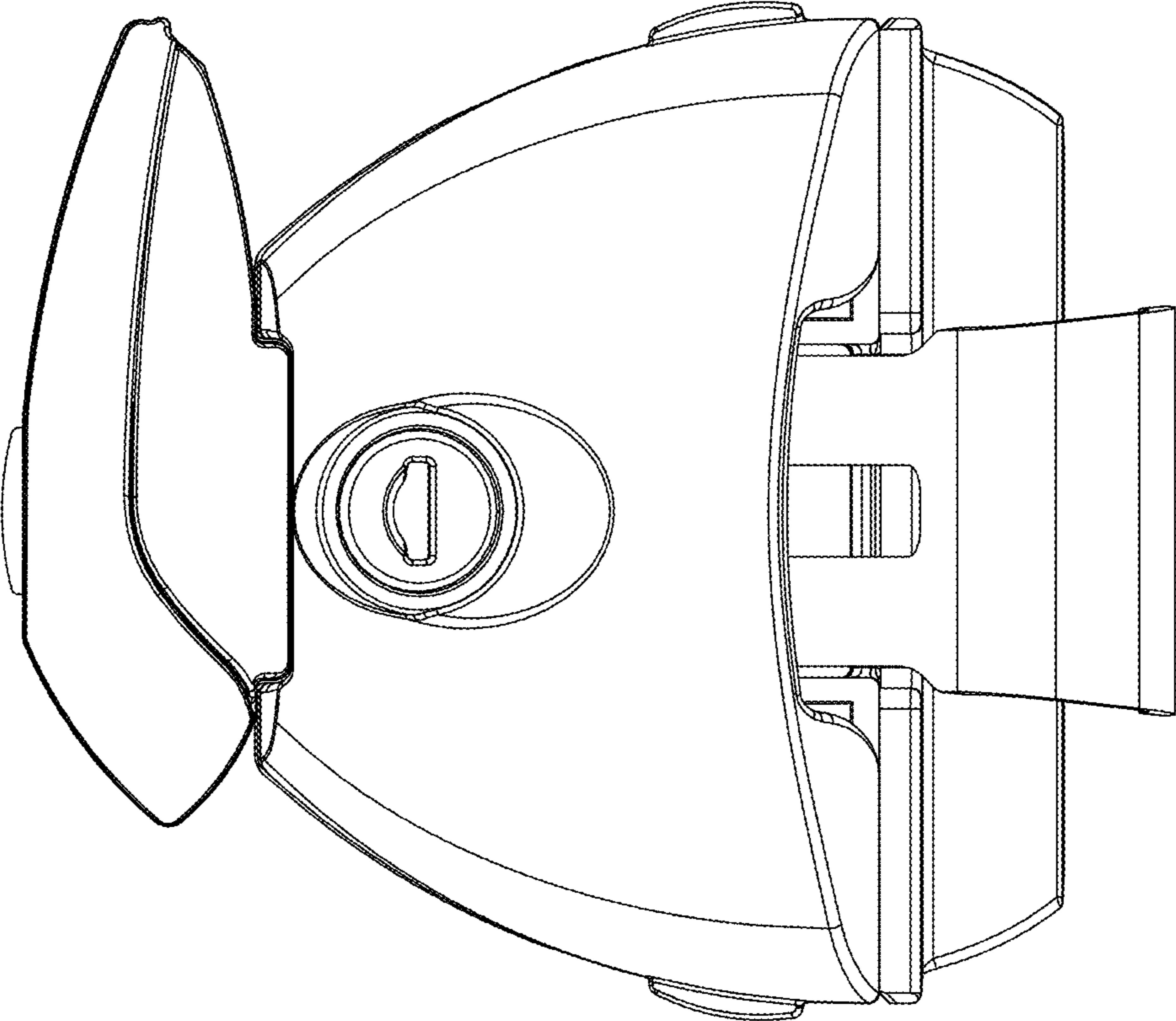


FIG. 5

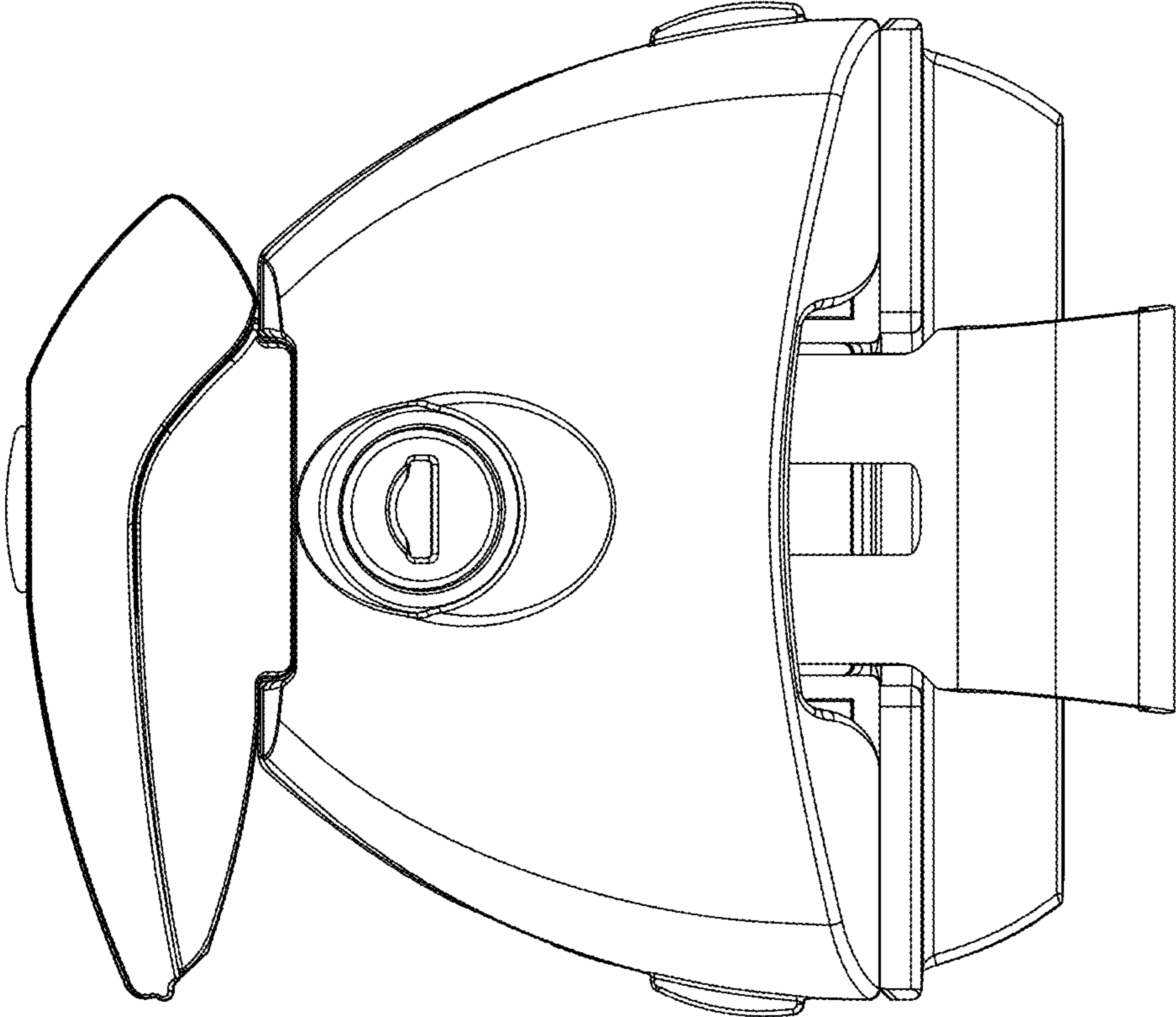


FIG. 6

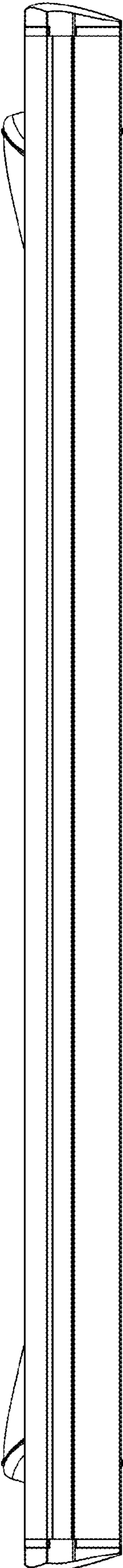


FIG. 7



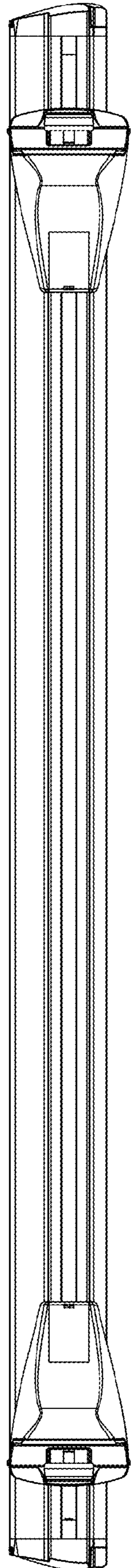


FIG. 8

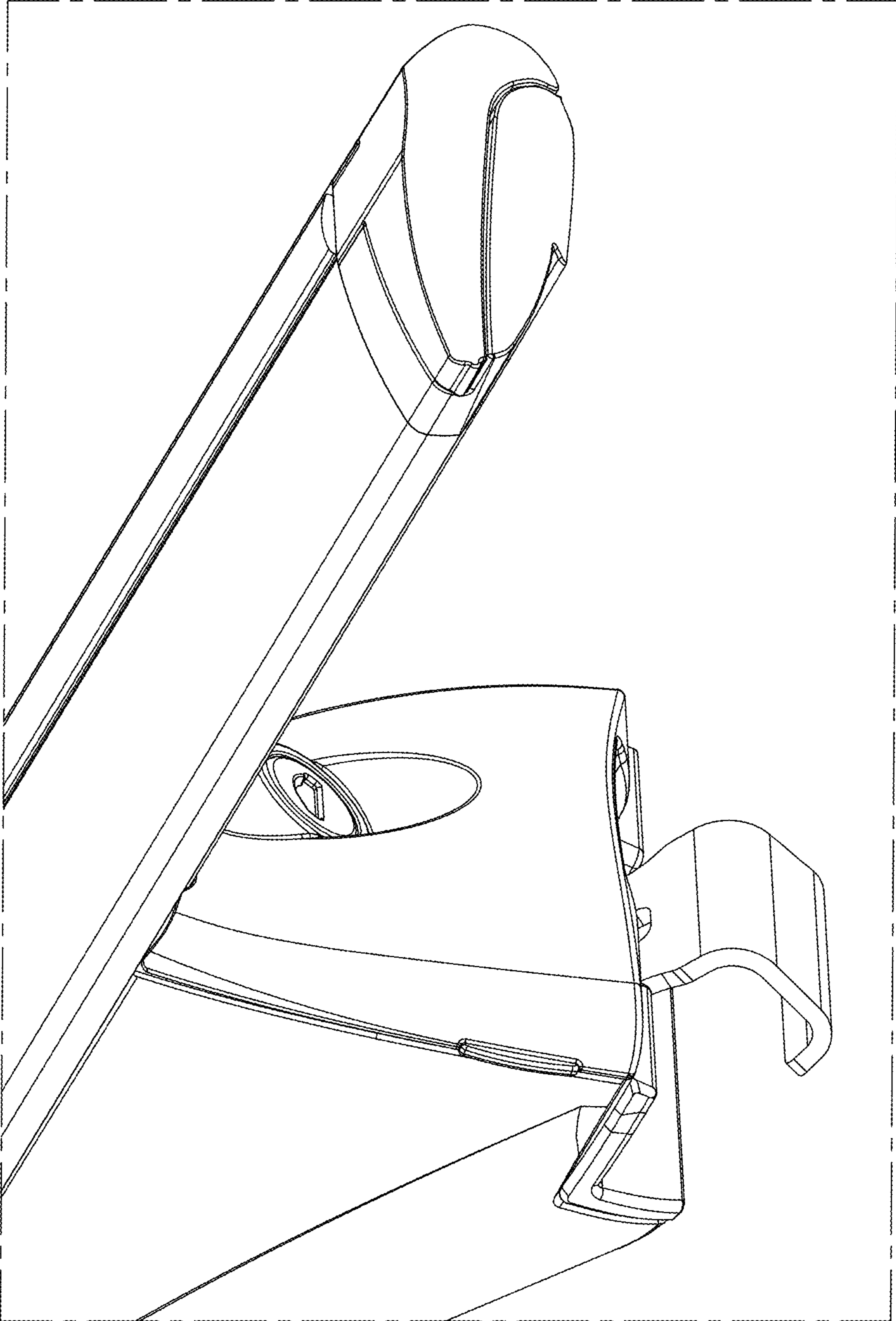


FIG. 9

9