



US00D926105S

(12) **United States Design Patent**  
**Queener**

(10) **Patent No.:** **US D926,105 S**

(45) **Date of Patent:** **\*\* Jul. 27, 2021**

- (54) **GOLF CART COVER**
- (71) Applicant: **Derek Queener**, Clearwater, FL (US)
- (72) Inventor: **Derek Queener**, Clearwater, FL (US)
- (\*\*) Term: **15 Years**
- (21) Appl. No.: **29/711,344**
- (22) Filed: **Oct. 30, 2019**
- (51) **LOC (13) Cl.** ..... **12-16**
- (52) **U.S. Cl.**  
USPC ..... **D12/401**
- (58) **Field of Classification Search**  
USPC ..... D12/106, 183, 400, 401, 402, 403, 404,  
D12/405; D21/561, 834, 837  
CPC ... B60J 11/00; B60J 11/02; B60J 11/04; B60J  
11/06; B60J 11/08; B60J 1/2094; B60J  
7/0084; B60J 7/02; B60J 7/022; B60J  
7/04; B60J 7/047; B60J 7/061; B60J  
7/062; B60J 7/067; B60J 7/08; B60J  
7/10; B60J 7/11; B60J 7/12; E04H 15/08;  
E04H 15/34; E04H 15/54; E04H 15/58;  
B60P 3/343  
See application file for complete search history.

(56) **References Cited**  
U.S. PATENT DOCUMENTS

3,052,251	A *	9/1962	Jean, Jr.	.....	E04H 15/46 135/96
4,830,037	A *	5/1989	Held	.....	B62B 5/0013 135/88.09
5,741,041	A *	4/1998	Sullivan	.....	B60J 7/10 135/88.09
6,007,134	A *	12/1999	Weston	.....	B60J 11/00 296/83
6,068,325	A *	5/2000	Hughes	.....	B60J 7/08 280/DIG. 5
6,220,657	B1 *	4/2001	Rea	.....	B60J 7/04 296/216.03
6,227,217	B1 *	5/2001	Peta	.....	B60J 7/10 135/88.07

6,497,444	B1 *	12/2002	Simon	.....	B62B 5/0013 296/83
6,663,161	B1 *	12/2003	Tyrer	.....	B60J 7/10 296/100.11
6,692,058	B1 *	2/2004	Micco	.....	B60J 7/04 135/88.01
6,709,043	B2 *	3/2004	Beusse	.....	B60J 7/102 280/DIG. 5
6,805,396	B2 *	10/2004	True	.....	B60J 7/10 135/88.01

(Continued)

*Primary Examiner* — Christian P. McLean  
*Assistant Examiner* — Adam C Mager  
(74) *Attorney, Agent, or Firm* — Larson & Larson, P.A.;  
Justin P. Miller; Frank Liebenow

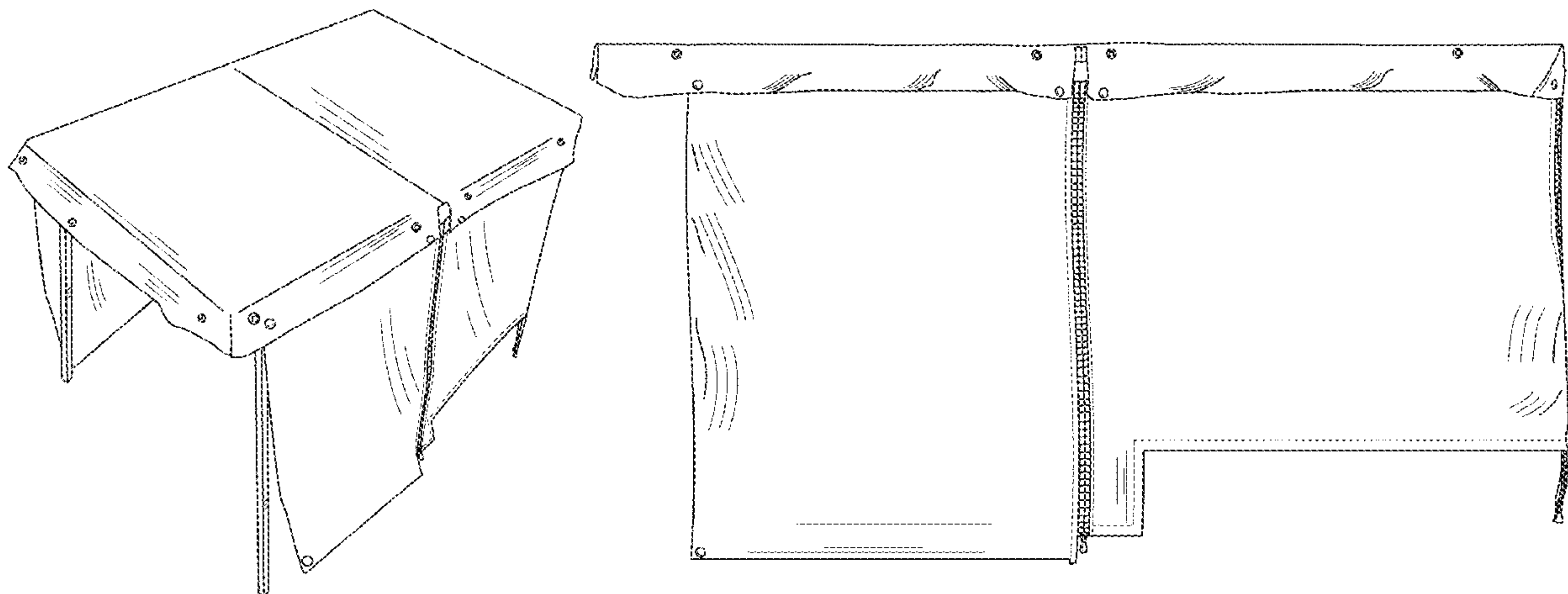
(57) **CLAIM**

I claim the ornamental design for a golf cart cover, as shown and described.

**DESCRIPTION**

FIG. 1 is a perspective view of a golf cart cover showing my new design;  
FIG. 2 is a front elevation view thereof;  
FIG. 3 is a back elevation thereof;  
FIG. 4 is a left-side elevation view thereof;  
FIG. 5 is a right-side elevation view thereof;  
FIG. 6 is a top plan view thereof;  
FIG. 7 is a bottom plan view thereof;  
FIG. 8 is a view showing the golf cart cover in use;  
FIG. 9 is a view showing the roof of the golf cart cover folded down without side walls; and,  
FIG. 10 is a view showing the roof of the golf cart cover folded up without side walls.  
The evenly dashed, closely-spaced broken lines on the golf cart cover illustrate stitching and form part of the claimed design. The remaining broken lines in FIGS. 8-10 illustrate environmental structure and form no part of the claimed design.

**1 Claim, 10 Drawing Sheets**



(56)

References Cited

U.S. PATENT DOCUMENTS

6,953,216	B2 *	10/2005	Held	.....	B62D 31/00	296/100.14
7,175,223	B1 *	2/2007	Tyrer	.....	B60J 7/1278	280/DIG. 5
7,387,133	B1 *	6/2008	True	.....	B60J 7/10	135/88.05
7,448,666	B2 *	11/2008	Tyrer	.....	B60J 7/085	296/100.14
D732,460	S *	6/2015	Seneker	.....	D12/403	
9,254,734	B2 *	2/2016	Held	.....	B60J 5/06	
D813,144	S *	3/2018	McGregor	.....	D12/403	
9,969,247	B1 *	5/2018	Houze, Jr.	.....	B60J 7/04	
10,005,348	B1 *	6/2018	Zaremba	.....	B60J 7/04	
10,457,126	B2 *	10/2019	Held	.....	B60J 7/102	
2002/0017803	A1 *	2/2002	Dolan	.....	B60J 7/10	296/100.18
2003/0183262	A1 *	10/2003	Tyrer	.....	B60J 7/1295	135/88.09
2004/0021340	A1 *	2/2004	Beusse	.....	B60J 7/102	296/136.07
2006/0033356	A1 *	2/2006	Mrotek	.....	B60J 7/1226	296/107.01
2006/0119129	A1 *	6/2006	Winkler	.....	B60J 7/1278	296/100.14
2006/0125279	A1 *	6/2006	Tyrer	.....	B60J 7/1278	296/100.14
2006/0202503	A1 *	9/2006	Tyrer	.....	B60J 7/085	296/100.14
2014/0232147	A1 *	8/2014	Held	.....	B60J 7/1226	296/210
2014/0292020	A1 *	10/2014	Gallo	.....	B60J 7/1278	296/116
2018/0099548	A1 *	4/2018	Held	.....	B60J 7/20	
2018/0326824	A1 *	11/2018	Held	.....	B60J 7/10	

\* cited by examiner

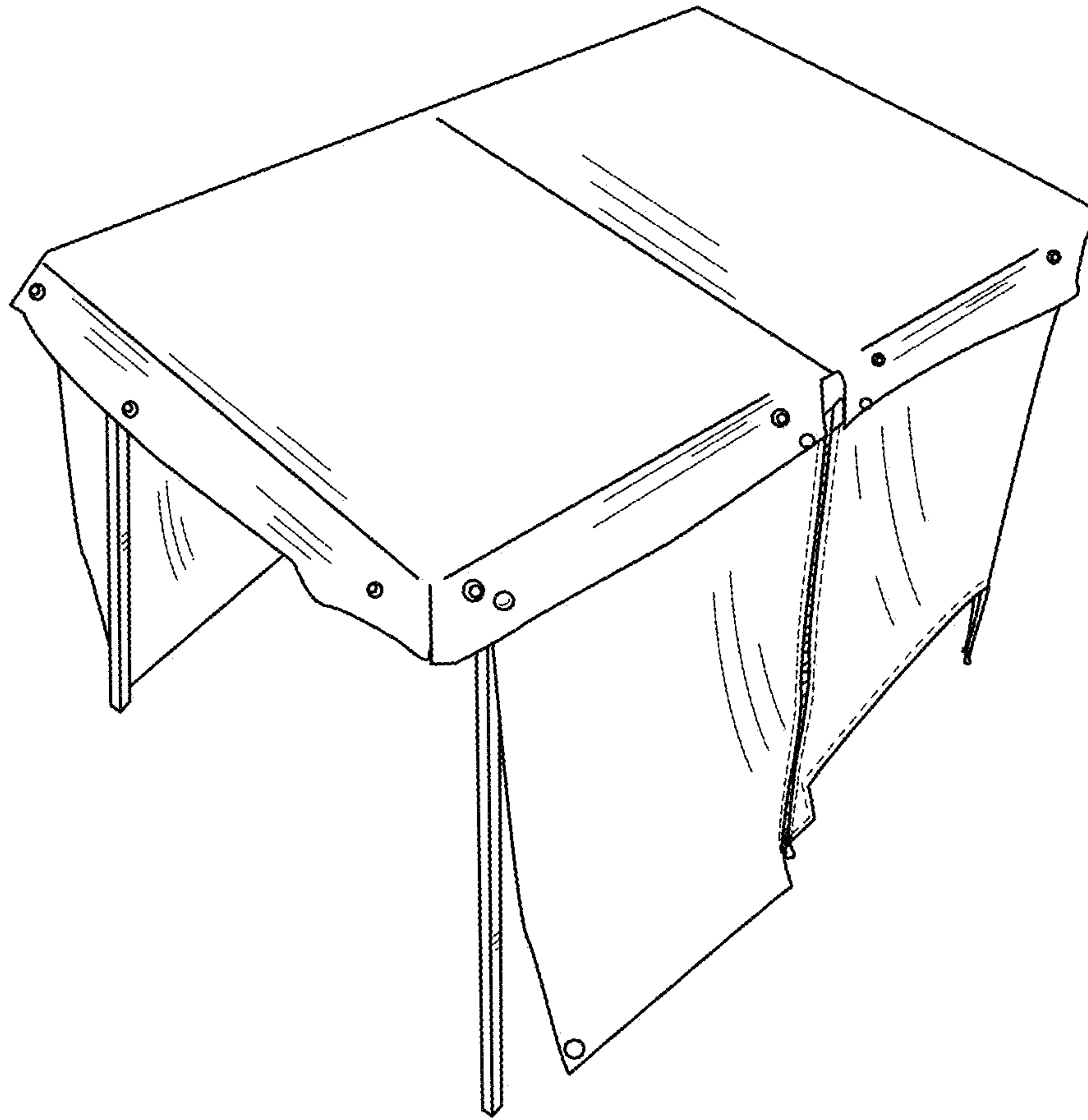


FIG.1

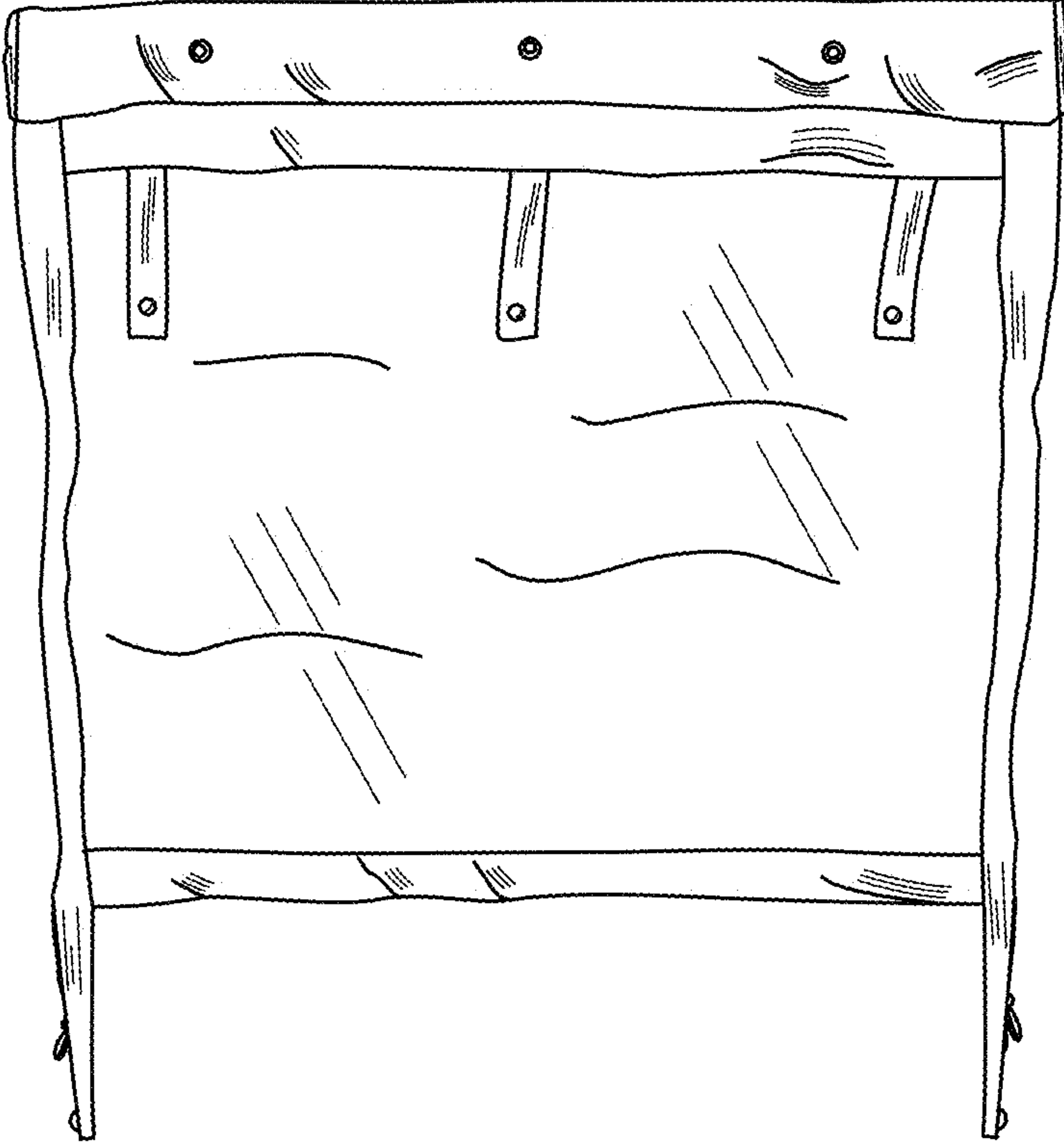


FIG.2

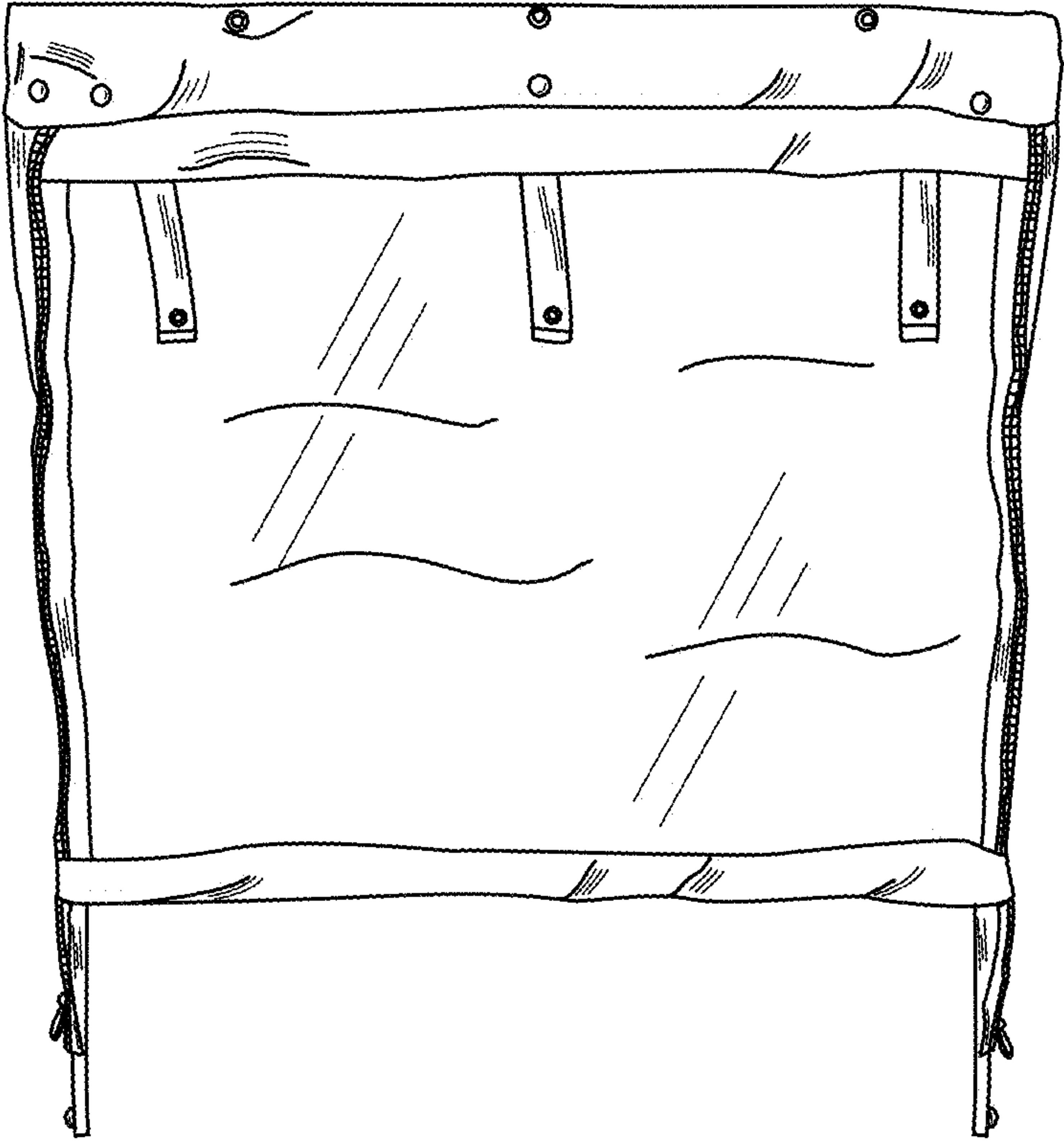


FIG.3



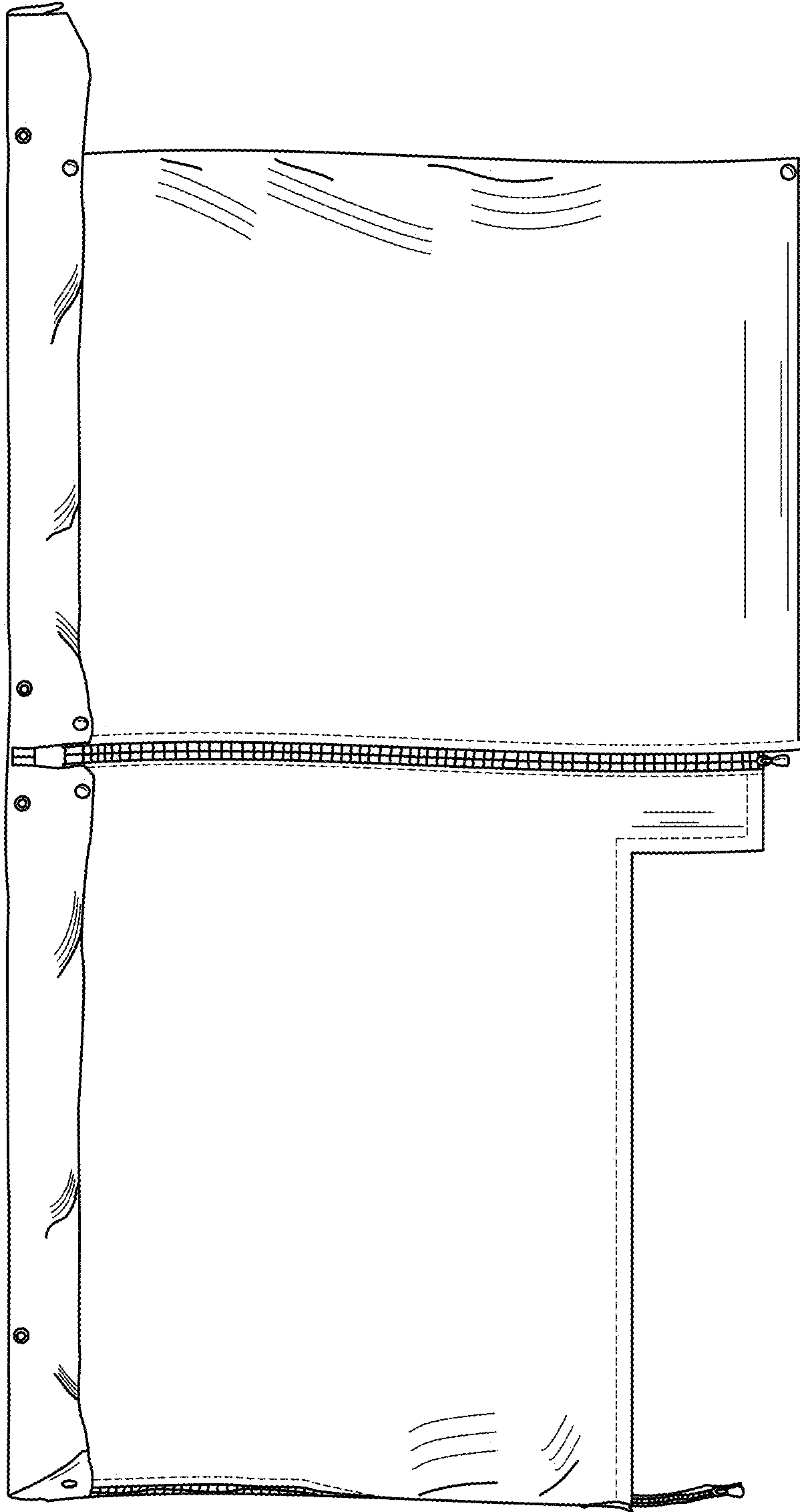


FIG.4

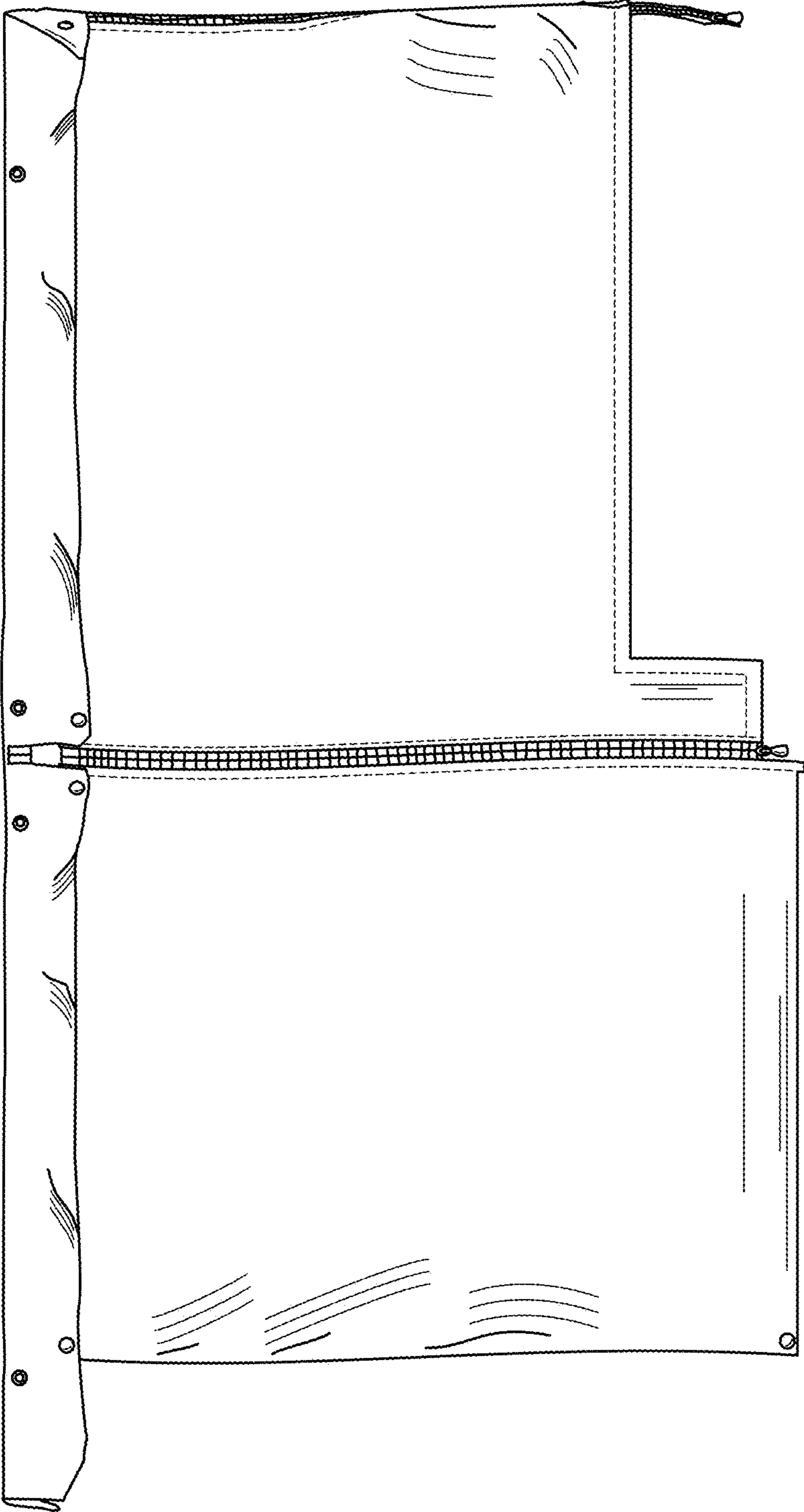


FIG.5

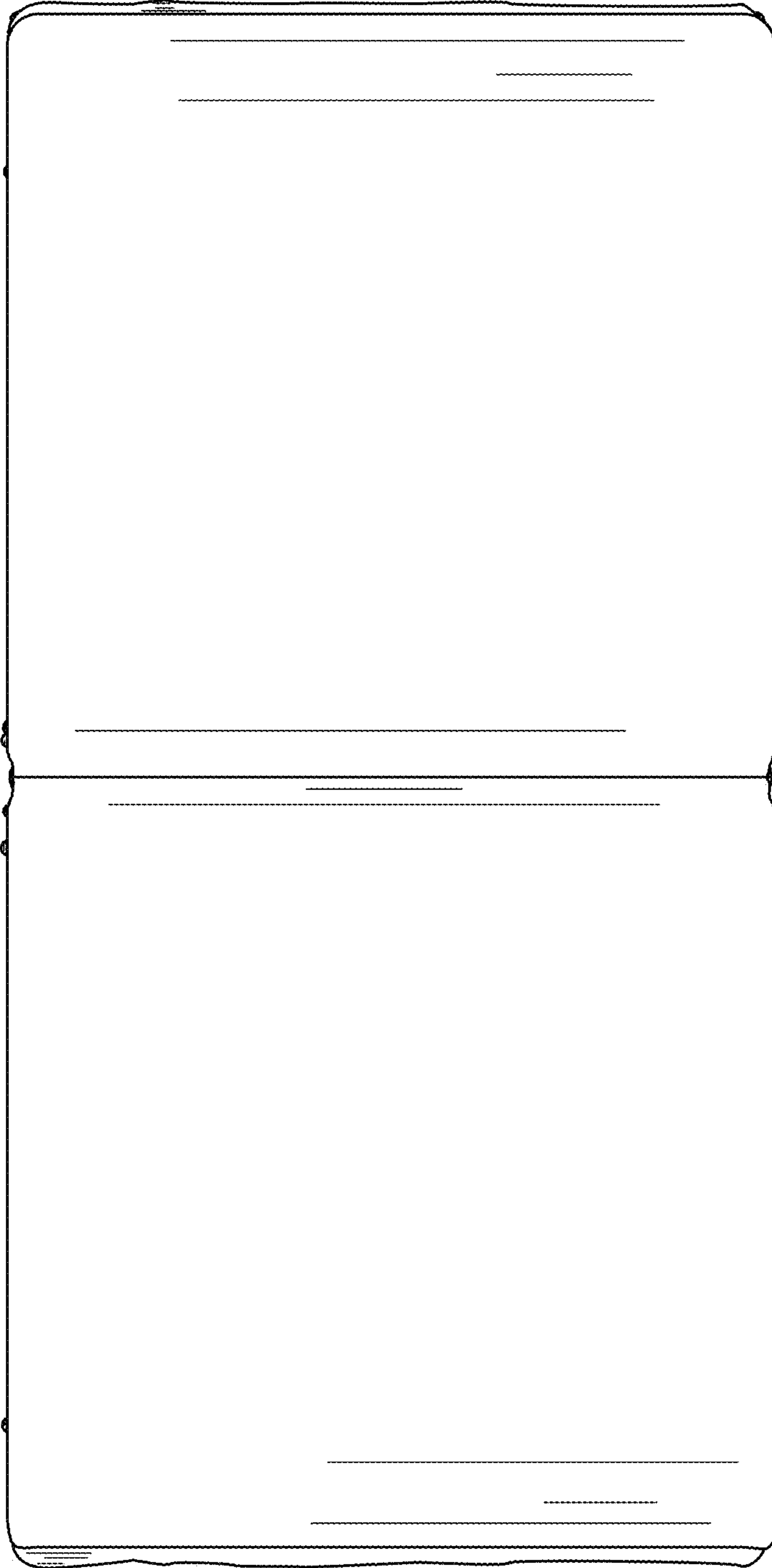


FIG. 6



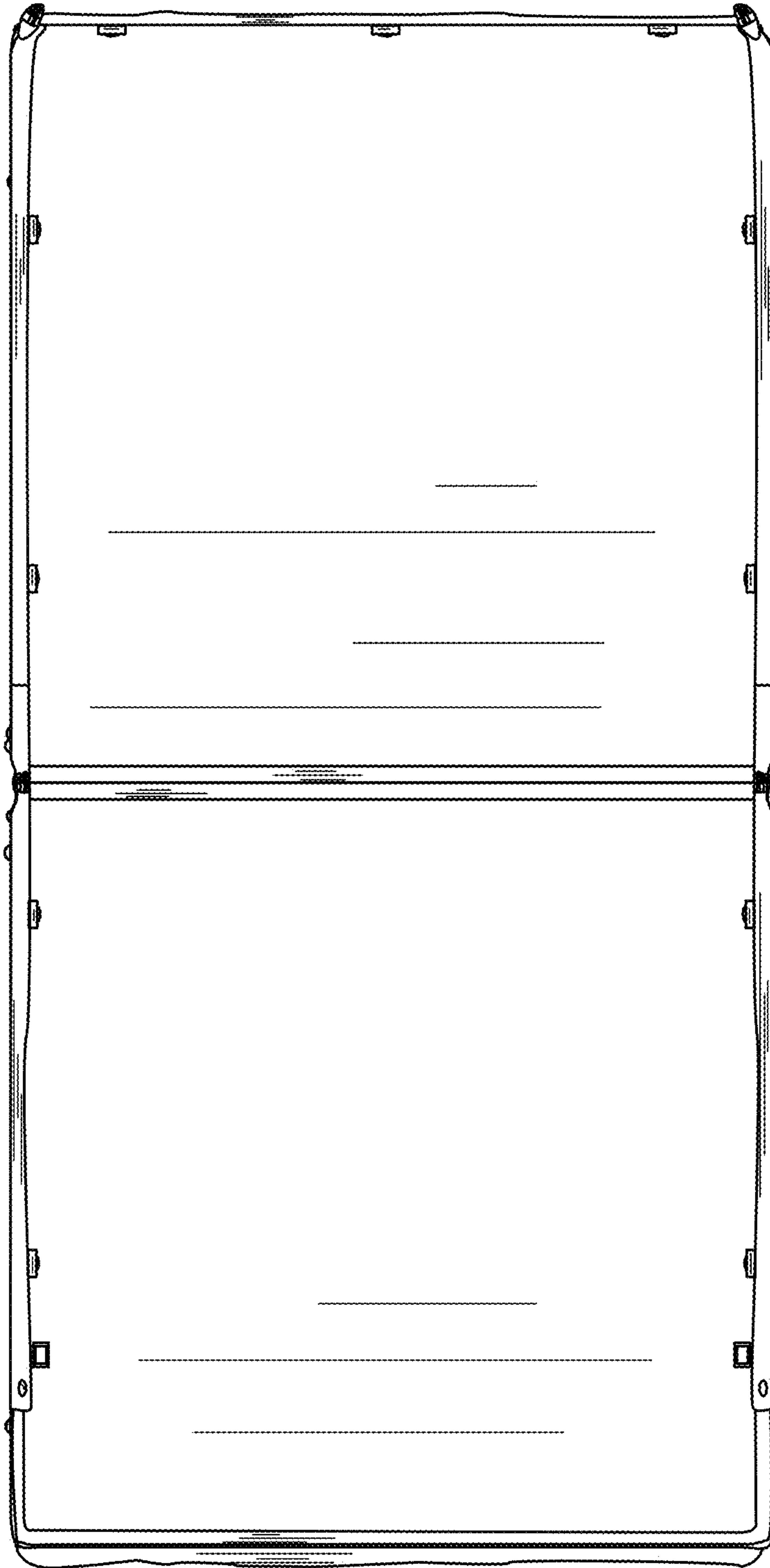


FIG.7

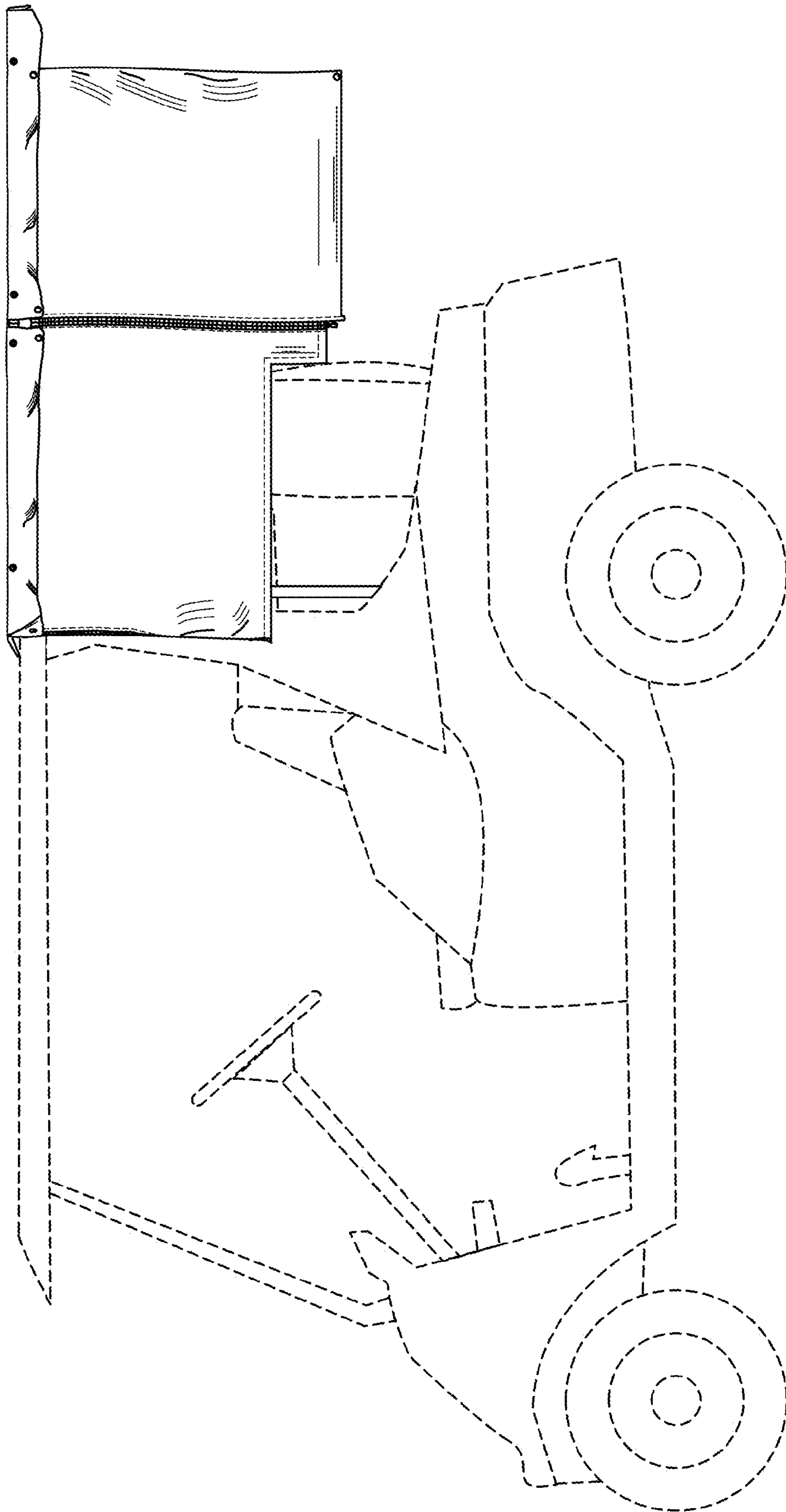


FIG. 8

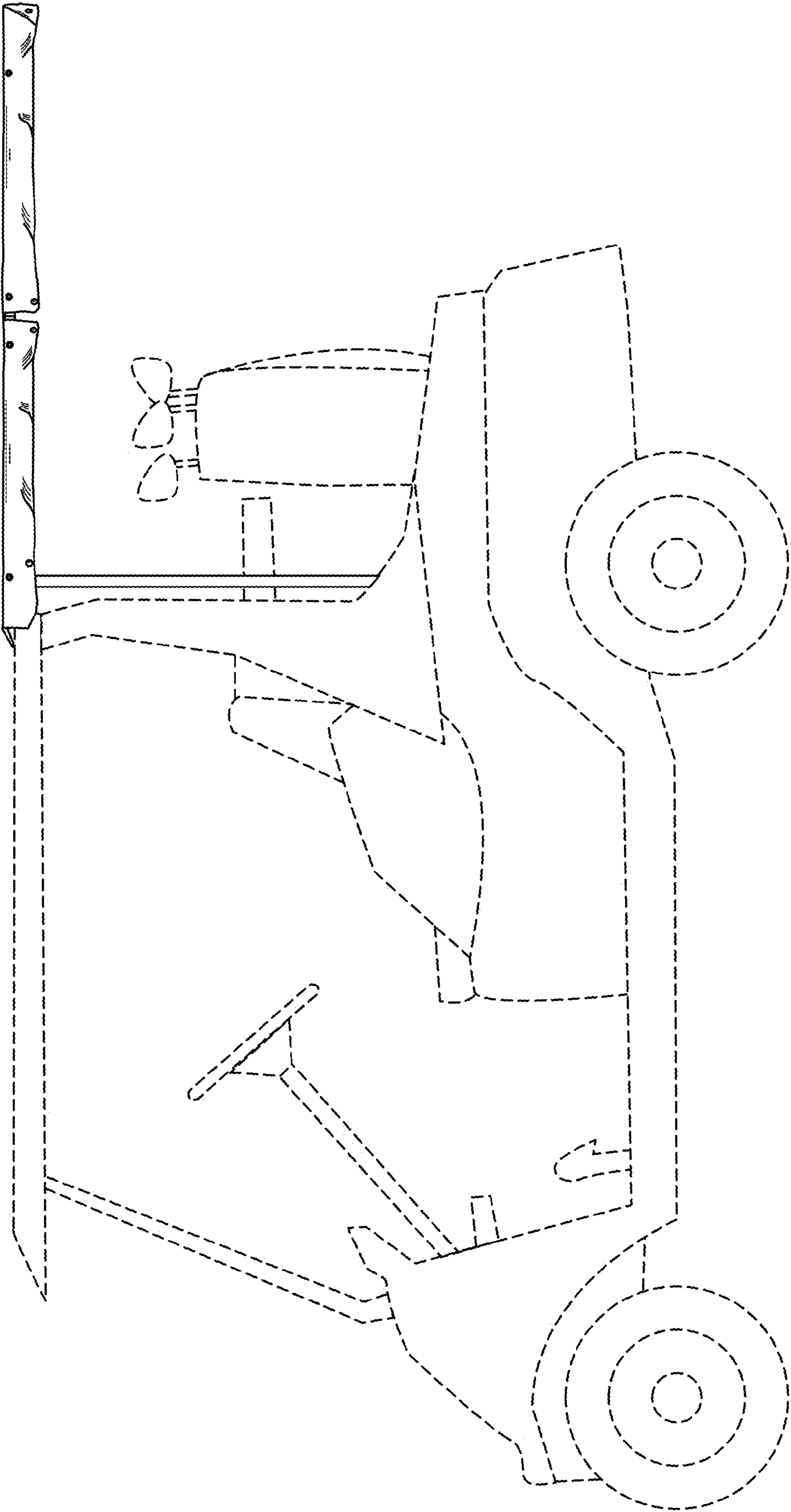


FIG.9

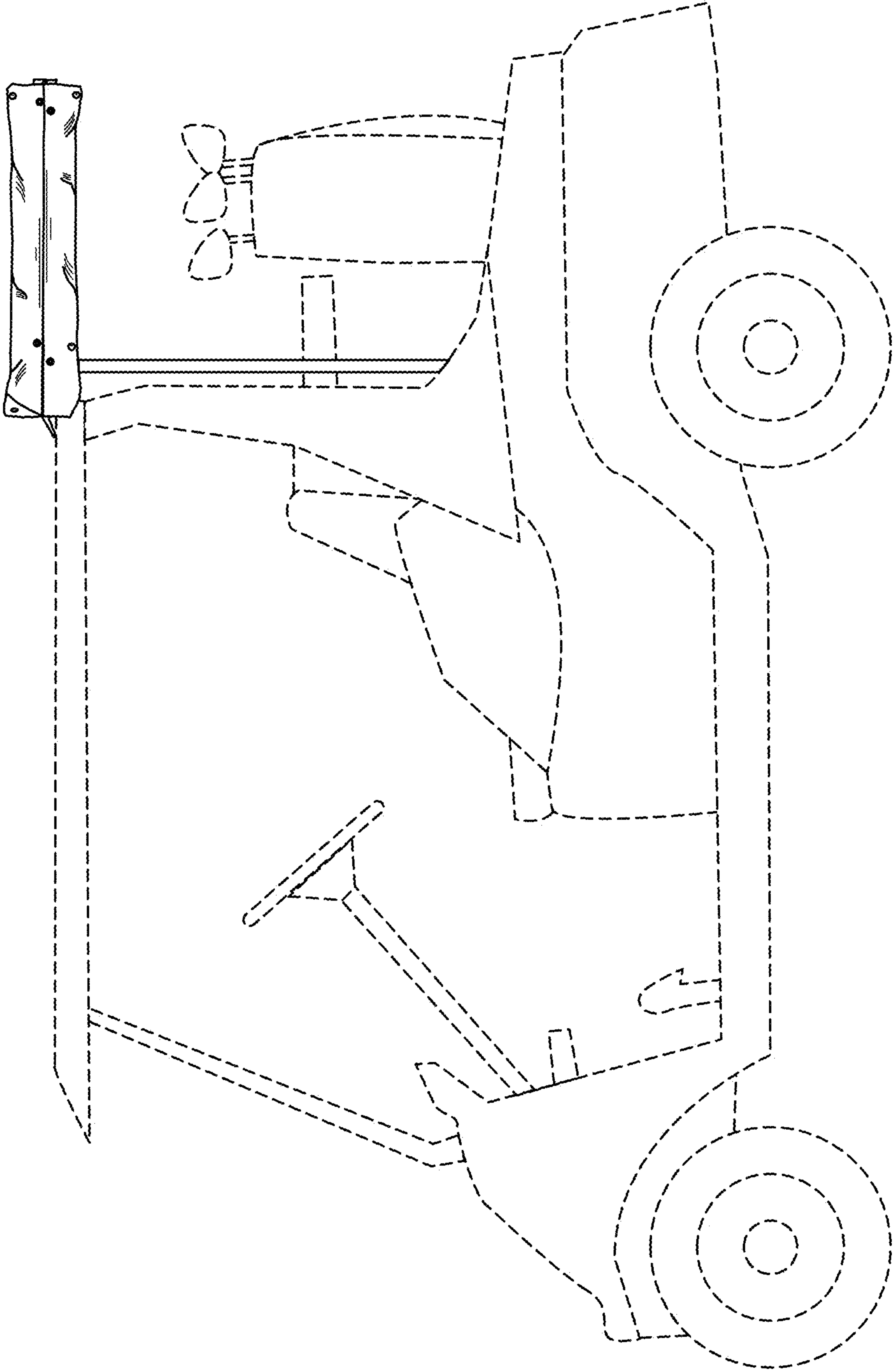


FIG.10