



US00D926104S

(12) **United States Design Patent** (10) **Patent No.:** **US D926,104 S**  
**Nichols et al.** (45) **Date of Patent:** **\*\* Jul. 27, 2021**

(54) **WHEEL CHOCK**  
(71) Applicant: **AVID Labs, LLC**, Fort Wayne, IN (US)  
(72) Inventors: **Joel A. Nichols**, Columbia City, IN (US); **Andrew Trenton**, Fort Wayne, IN (US)  
(73) Assignee: **AVID Labs, LLC**, Fort Wayne, IN (US)  
(\*\*) Term: **15 Years**  
(21) Appl. No.: **29/724,760**  
(22) Filed: **Feb. 19, 2020**  
(51) **LOC (13) Cl.** ..... **12-16**  
(52) **U.S. Cl.**  
USPC ..... **D12/217**  
(58) **Field of Classification Search**  
USPC ..... D12/217, 223; D34/31, 32, 38;  
D25/102, 113; D8/354, 402  
See application file for complete search history.

D425,440 S \* 5/2000 Franklin ..... D10/113.3  
D460,013 S \* 7/2002 Spiller ..... D10/113.3  
D461,138 S \* 8/2002 Spiller ..... D10/113.3  
D463,868 S \* 10/2002 Foster ..... D25/164  
6,681,901 B2 \* 1/2004 Agtuca ..... B60T 3/00  
188/32  
D512,950 S \* 12/2005 Kondo ..... D12/217  
D543,926 S \* 6/2007 Kutzler ..... D12/217  
D587,183 S \* 2/2009 Blumenthal ..... D12/217  
D625,677 S \* 10/2010 Robbins, Sr. .... D12/217  
D750,005 S \* 2/2016 Anderson ..... D12/217  
D795,112 S \* 8/2017 Fenimore ..... D10/113.3  
D807,807 S \* 1/2018 Anderson ..... D12/217  
D812,779 S \* 3/2018 Bonk ..... B60T 3/00  
D25/102  
D852,716 S \* 7/2019 Anderson ..... D12/217  
D902,762 S \* 11/2020 French ..... D10/113.3

\* cited by examiner

*Primary Examiner* — Stacia A Cadmus  
(74) *Attorney, Agent, or Firm* — Taylor IP, P.C.

(57) **CLAIM**

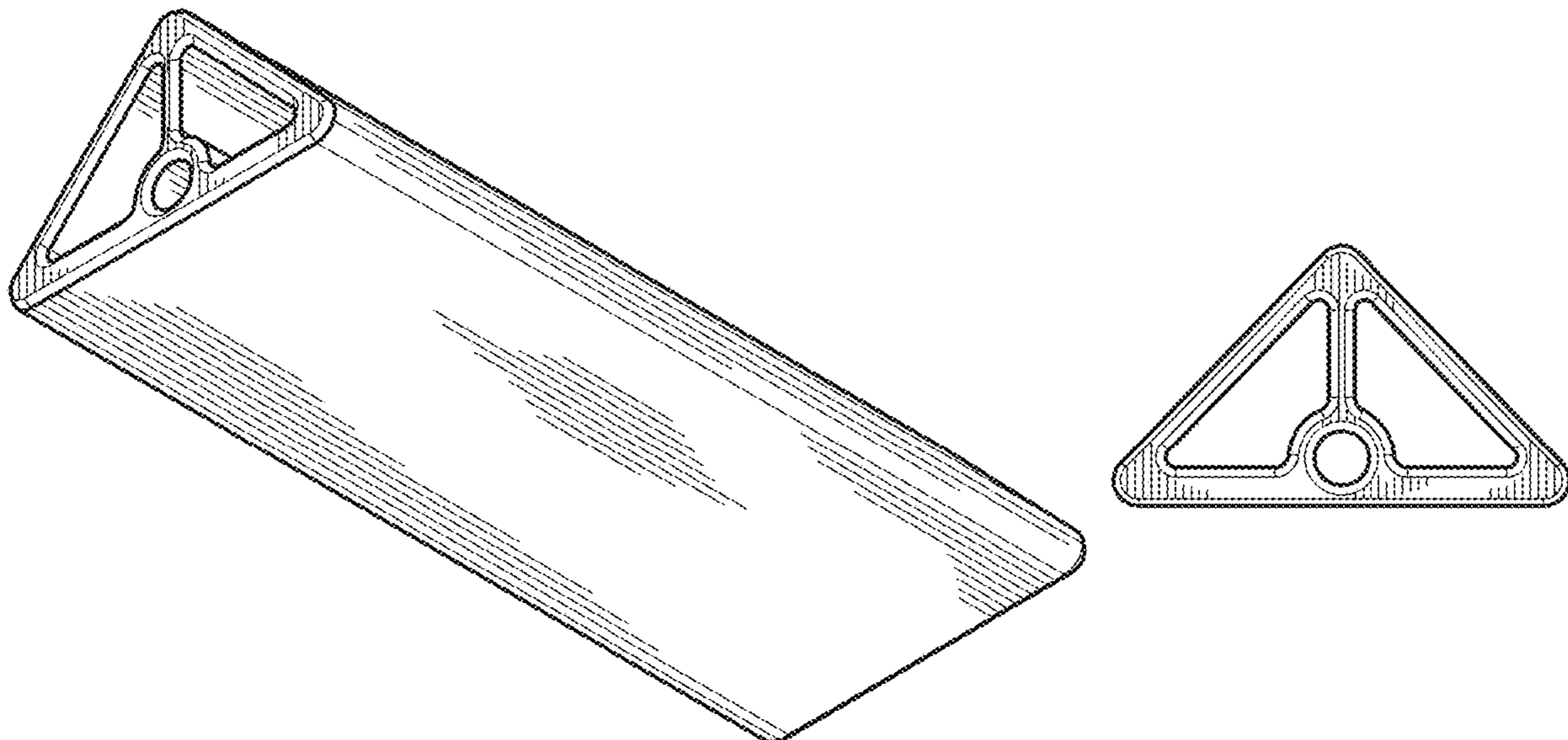
The ornamental design for the wheel chock, as shown and described.

**DESCRIPTION**

FIG. 1 is a perspective view of a wheel chock showing our new design;  
FIG. 2 is a side view thereof, the opposite side being a mirror image of this view;  
FIG. 3 is an end view thereof, the opposite end being a mirror image of this view;  
FIG. 4 is a bottom view thereof; and,  
FIG. 5 is a top view thereof.

**1 Claim, 2 Drawing Sheets**

(56) **References Cited**  
U.S. PATENT DOCUMENTS  
D402,616 S \* 12/1998 Henry ..... D12/217  
D404,001 S \* 1/1999 Henry ..... D12/217  
D407,059 S \* 3/1999 Henry ..... D12/217  
D409,133 S \* 5/1999 Henry ..... D12/217  
D410,887 S \* 6/1999 Henry ..... D12/217  
D412,481 S \* 8/1999 Henry ..... D12/217  
D415,463 S \* 10/1999 Henry ..... D12/217  
D418,167 S \* 12/1999 Stutsman ..... D25/102



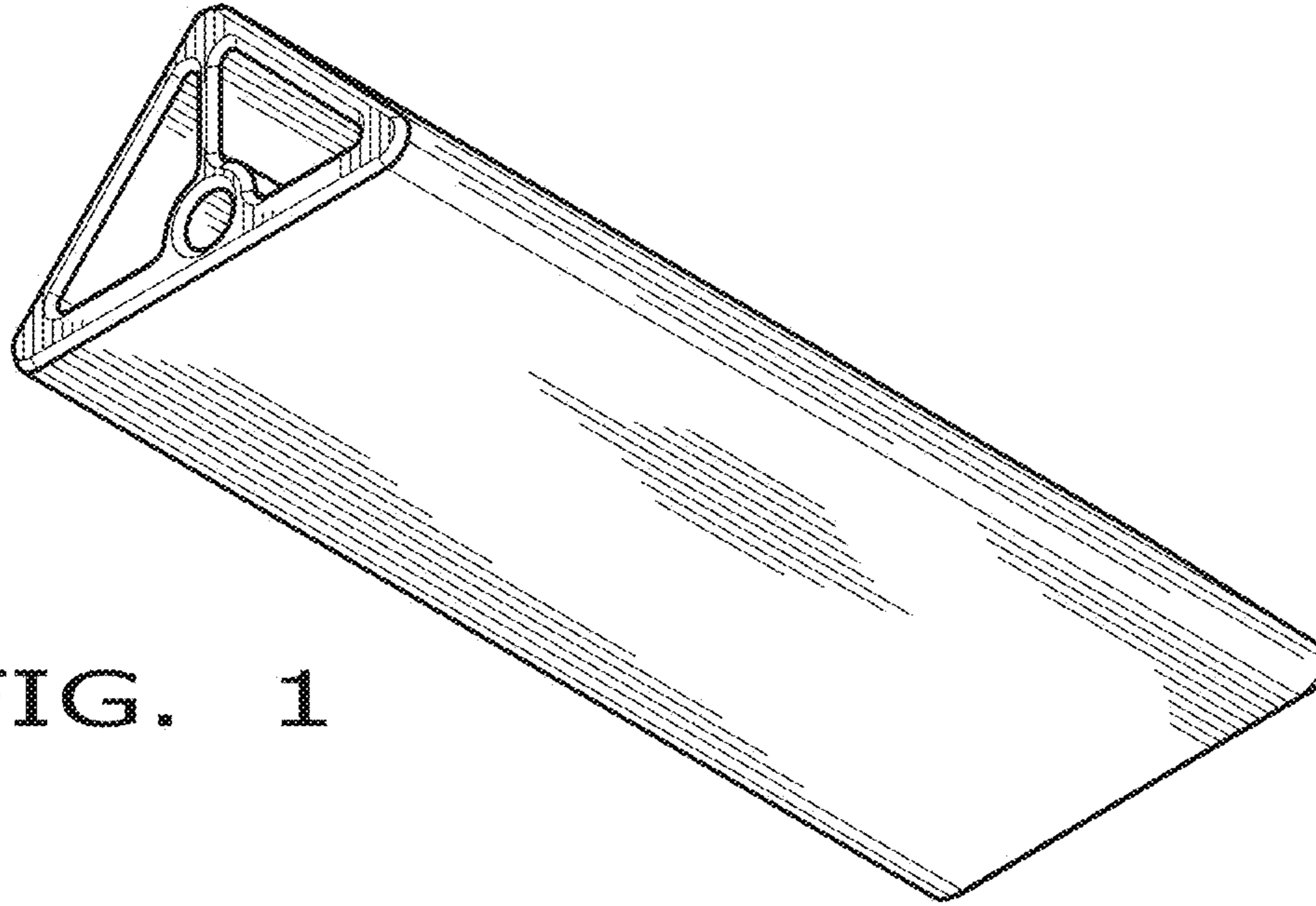


FIG. 1

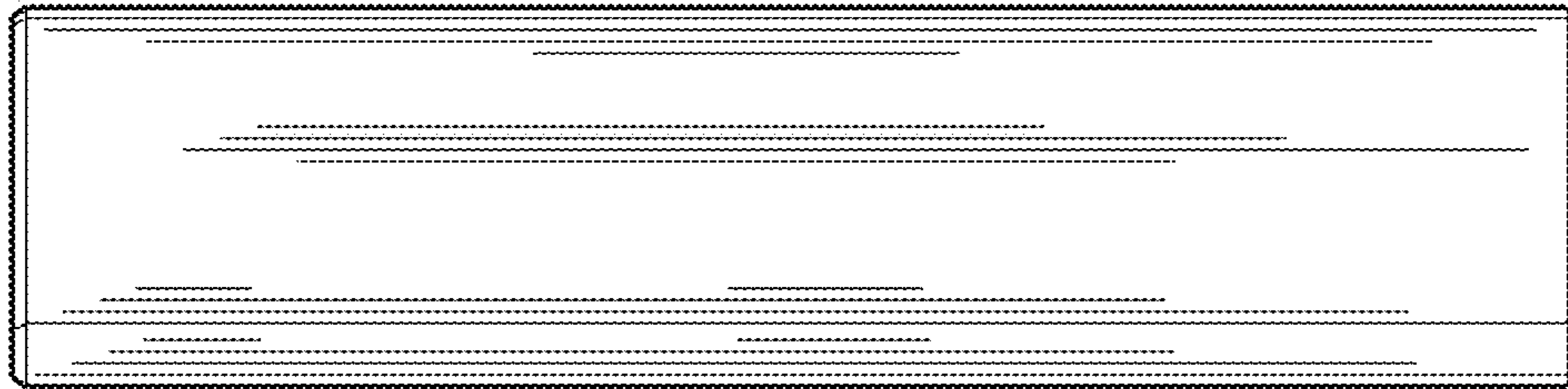


FIG. 2

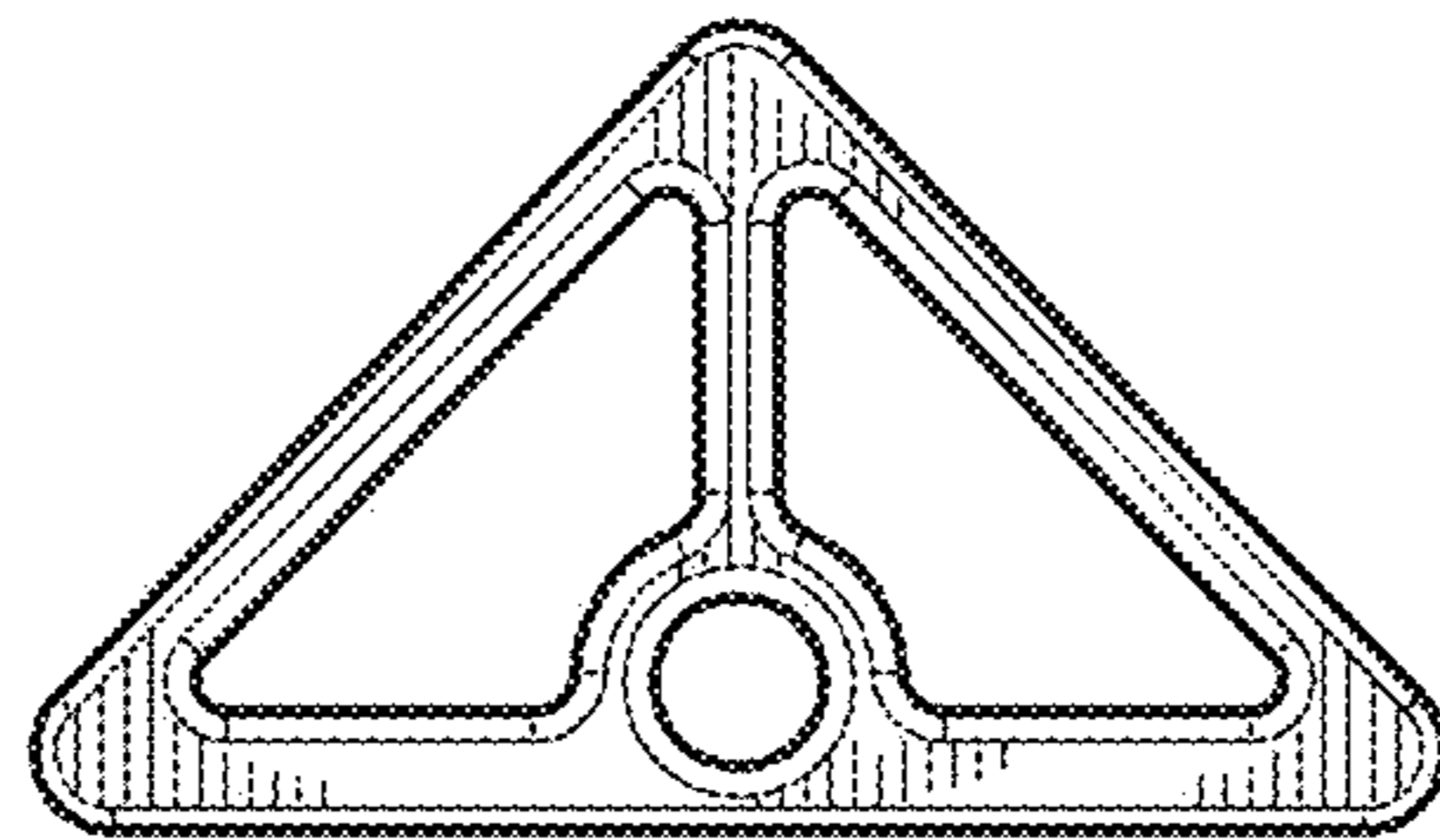


FIG. 3

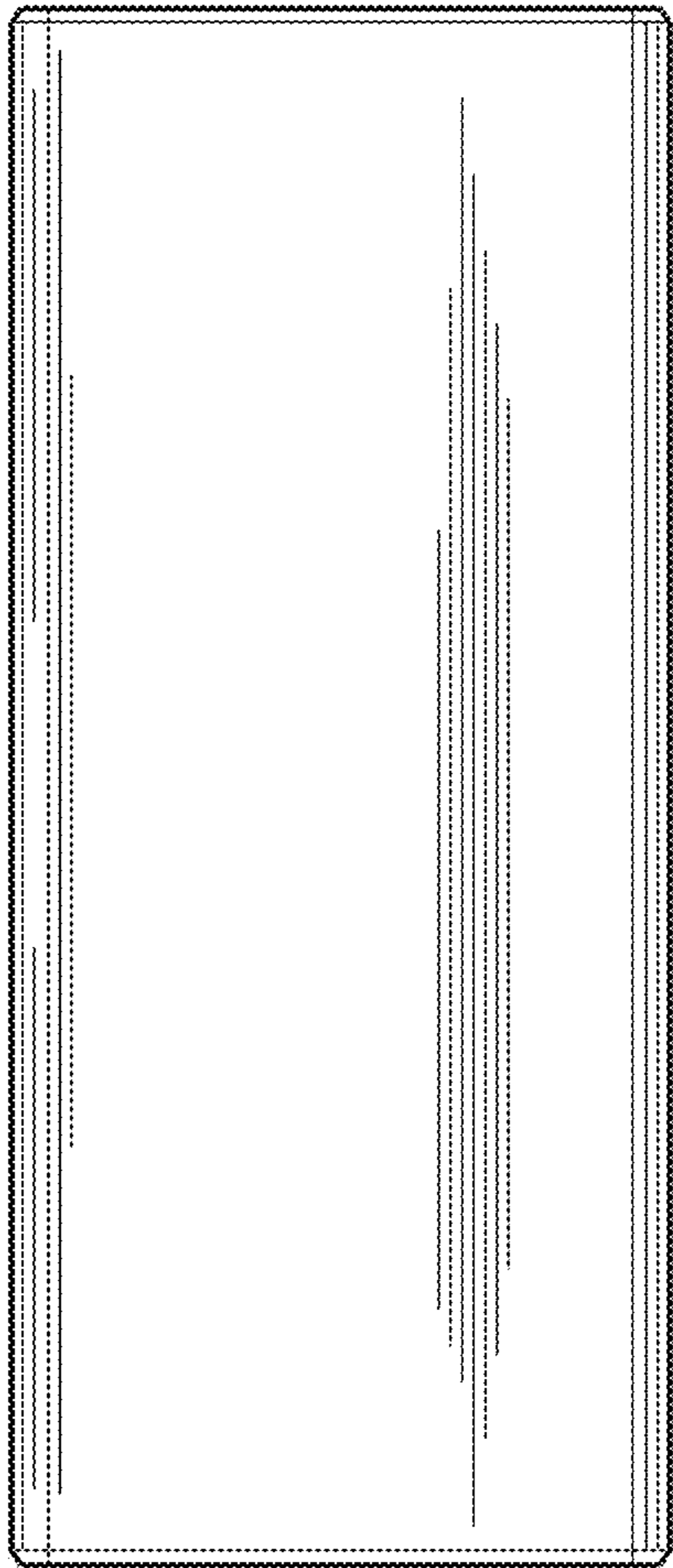


FIG. 4

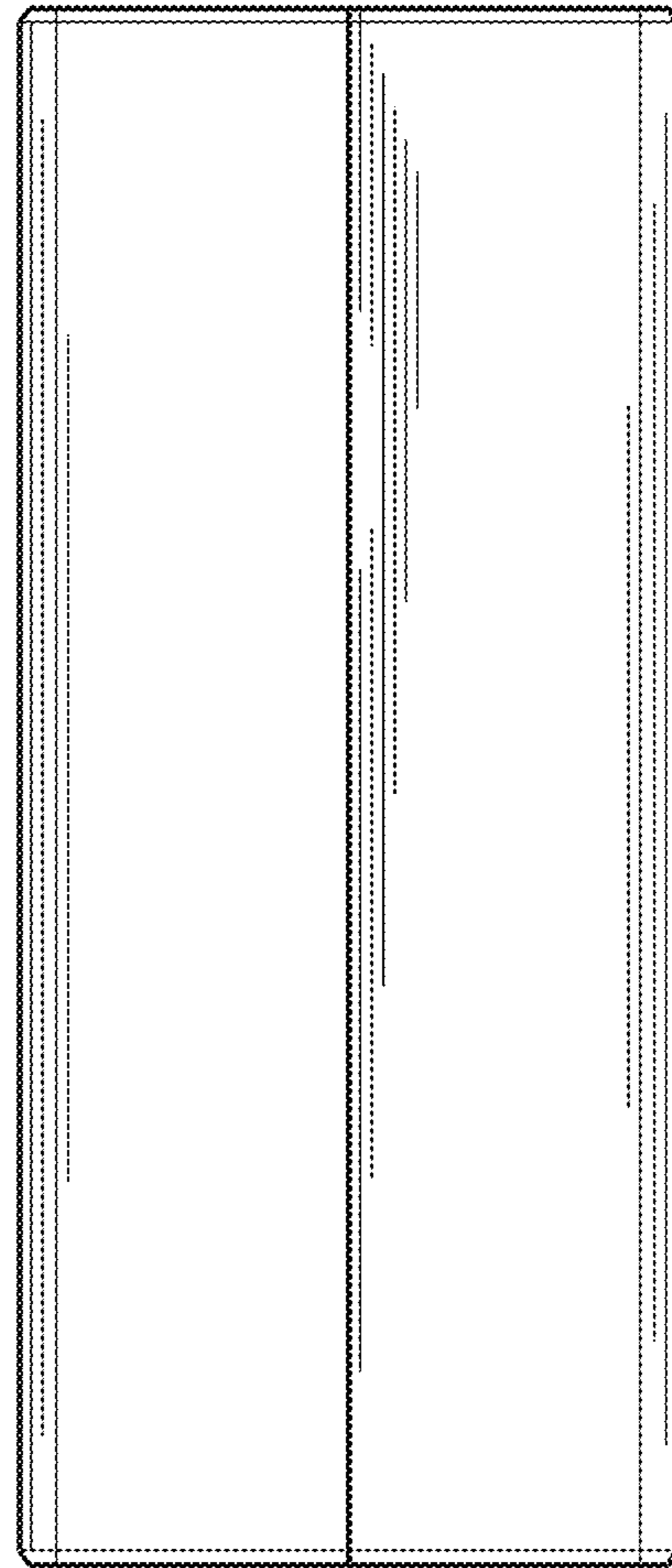


FIG. 5