



US00D926103S

(12) **United States Design Patent**
Lee

(10) **Patent No.:** **US D926,103 S**
(45) **Date of Patent:** **** Jul. 27, 2021**

(54) **AUTOMOTIVE WHEEL**

(71) Applicant: **Angela Lee**, Chicago, IL (US)

(72) Inventor: **Angela Lee**, Chicago, IL (US)

(**) Term: **15 Years**

(21) Appl. No.: **29/741,529**

(22) Filed: **Jul. 14, 2020**

(51) **LOC (13) Cl.** **12-16**

(52) **U.S. Cl.**
USPC **D12/211**

(58) **Field of Classification Search**
USPC D12/204–213; D21/563
CPC B60B 7/00; B60B 7/02; B60B 7/04; B60B 7/01; B60B 7/06; B60B 3/02; B60B 3/04; B60B 3/06; B60B 3/10; B60B 1/00; B60B 1/08; B60B 1/10; B60B 1/12
See application file for complete search history.

D763,767 S *	8/2016	Alfonso	D12/211
D763,772 S *	8/2016	Chung	D12/211
D786,161 S *	5/2017	Vartola	D12/211
D849,658 S *	5/2019	Licklitter	D12/211
D850,349 S *	6/2019	Licklitter	D12/209
D852,706 S *	7/2019	Tran	D12/211
D865,609 S *	11/2019	Yeh	D12/209
D867,254 S *	11/2019	Zhao	D12/209
D868,664 S *	12/2019	Dewitt	D12/211
D889,358 S *	7/2020	Williams	D12/209
D894,076 S *	8/2020	Lee	D12/209
D908,585 S *	1/2021	Mukti	D12/211
D914,575 S *	3/2021	Lee	D12/211

* cited by examiner

Primary Examiner — Stacia A Cadmus

(56) **References Cited**

U.S. PATENT DOCUMENTS

D630,567 S *	1/2011	Ettensberger	D12/211
D684,518 S *	6/2013	Zhao	D12/211
D736,135 S *	8/2015	Grake	D12/211
D743,316 S *	11/2015	Zhao	D12/211
D763,163 S *	8/2016	Chung	D12/211

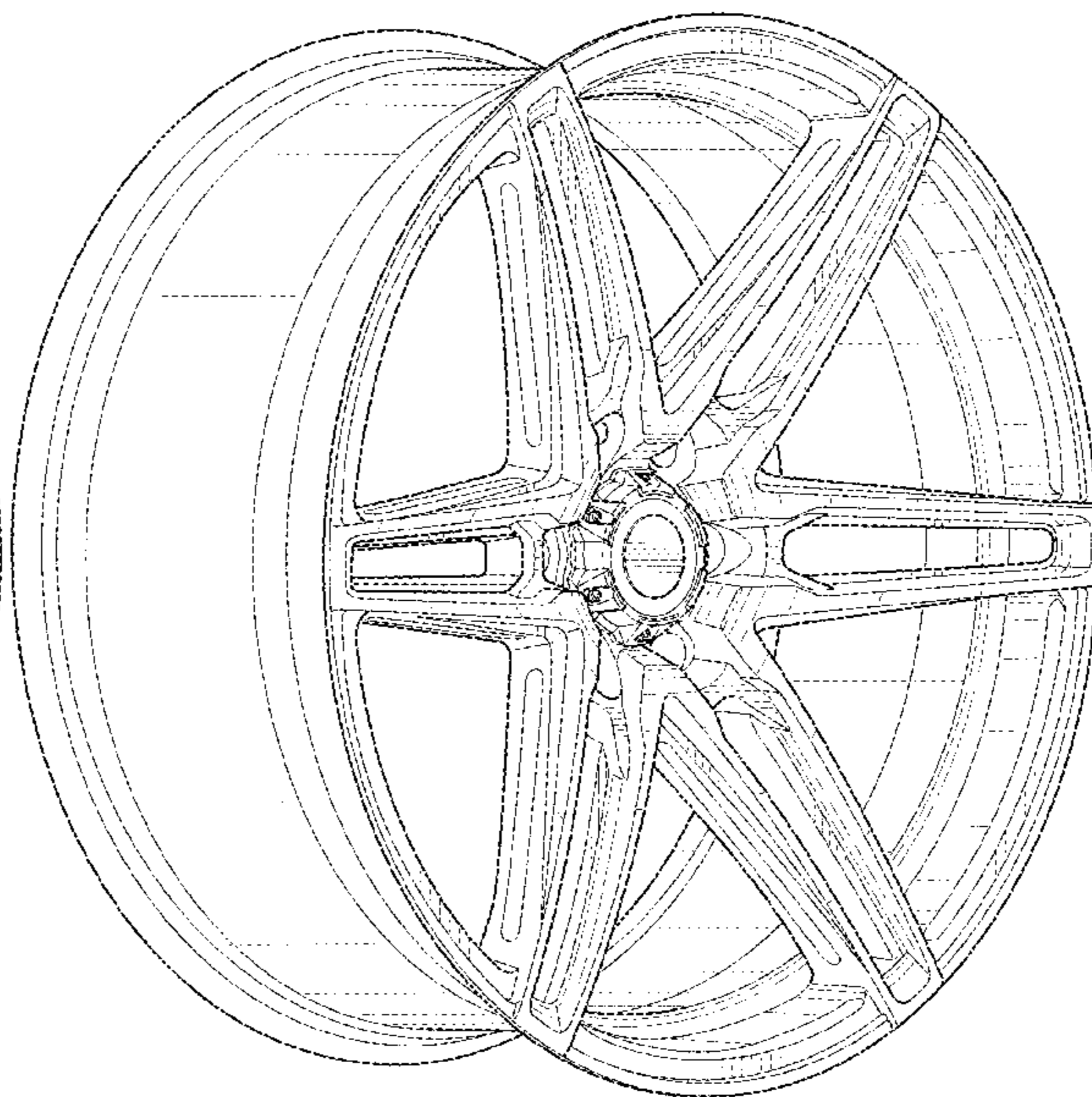
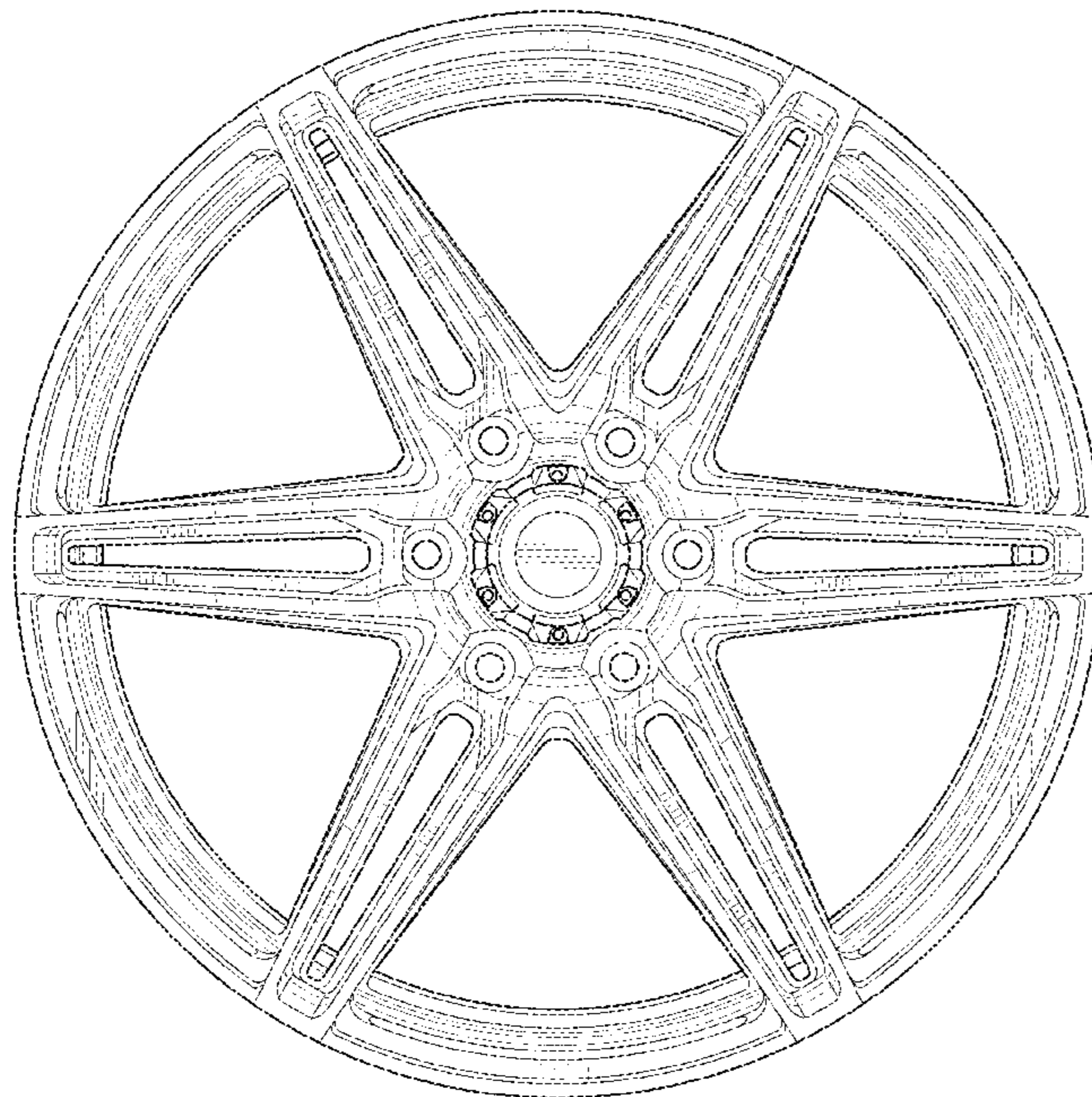
(57) **CLAIM**

I claim the ornamental design for an automotive wheel, as shown and described.

DESCRIPTION

FIG. 1 is a front view of the automotive wheel of my claimed design; and,
FIG. 2 is a perspective view of the automotive wheel of FIG. 1.

1 Claim, 2 Drawing Sheets



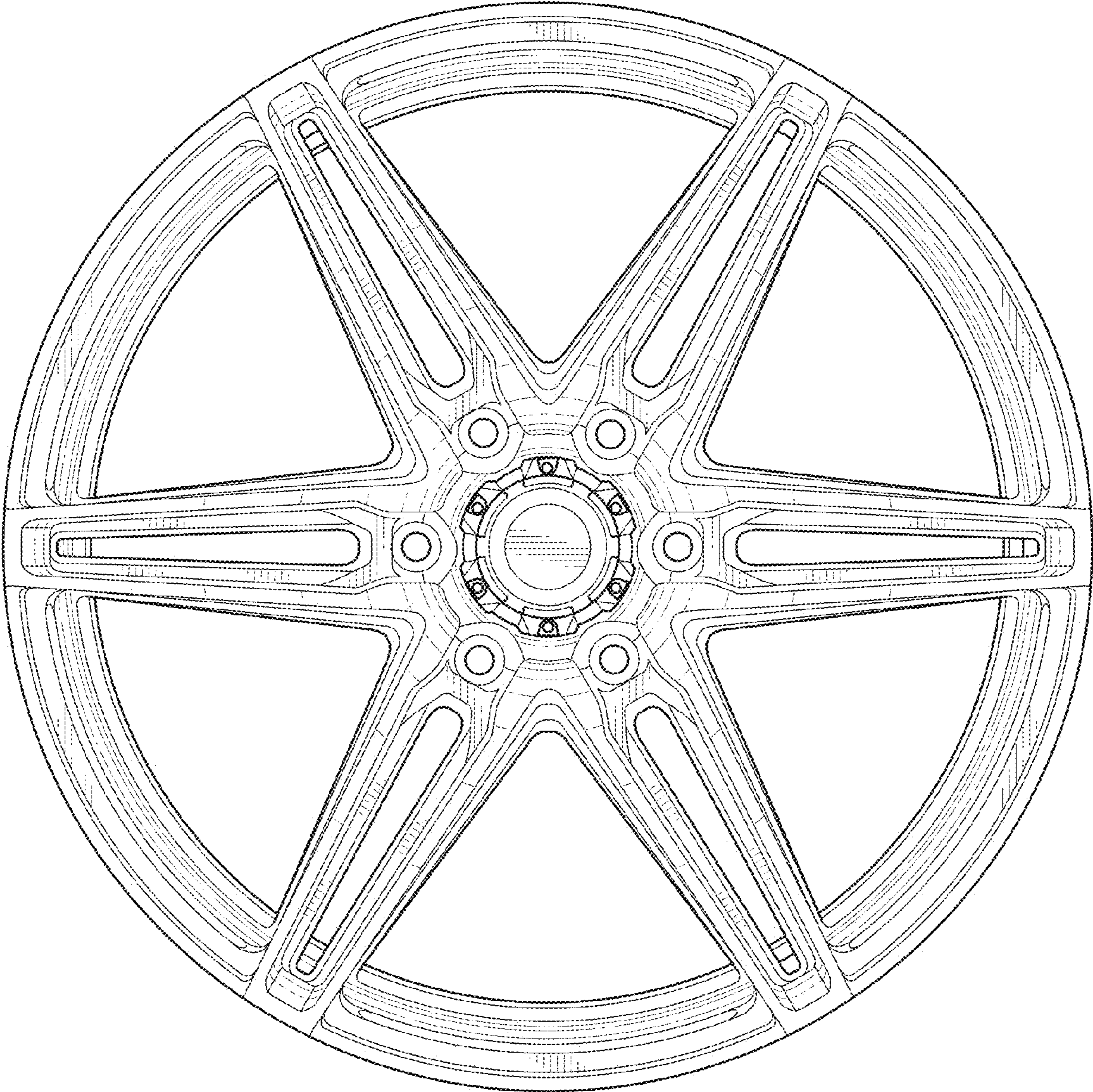


FIG. 1

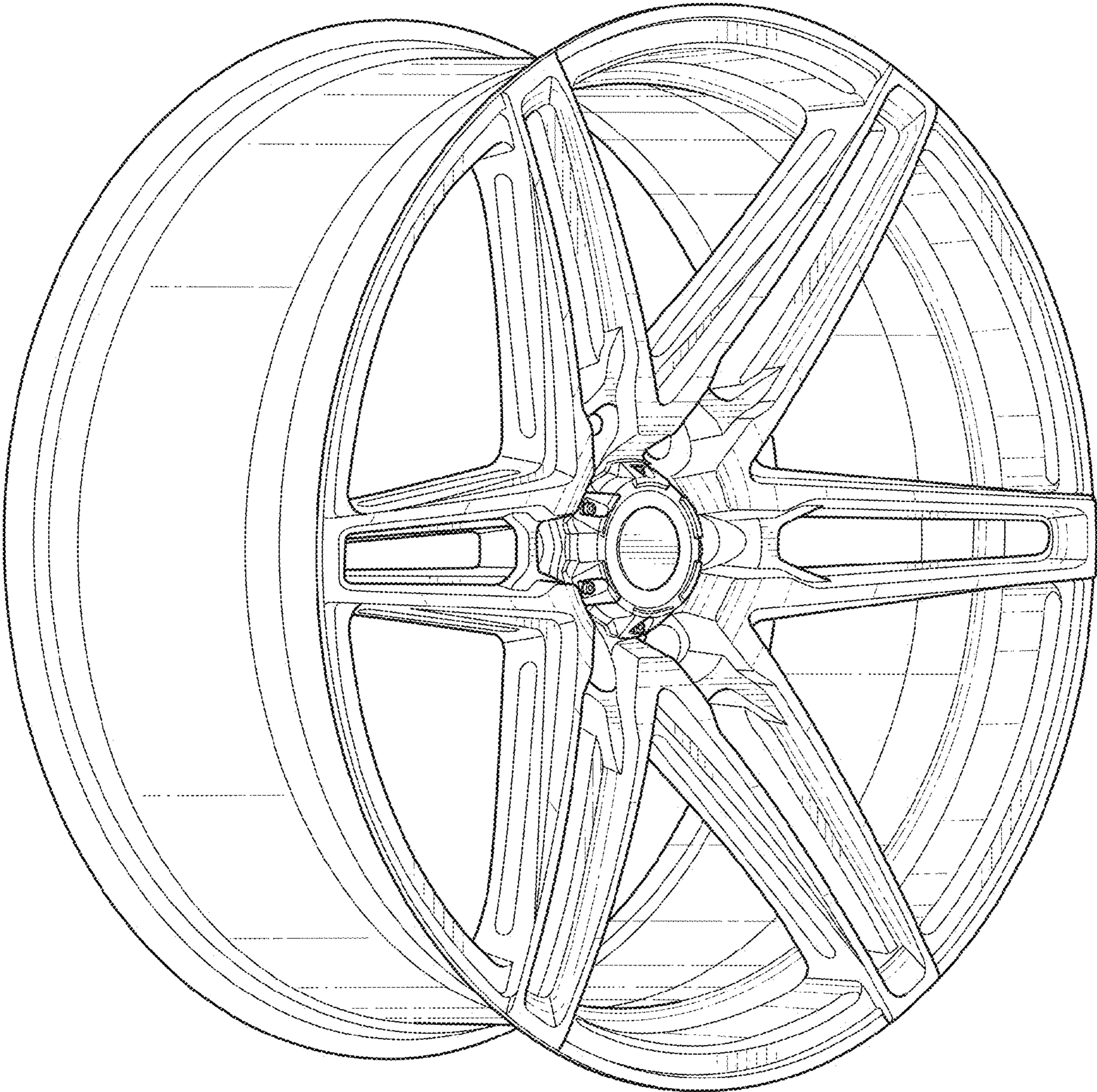


FIG. 2