



US00D926102S

(12) **United States Design Patent**  
**Hale, Jr.**

(10) **Patent No.:** **US D926,102 S**

(45) **Date of Patent:** **\*\* Jul. 27, 2021**

(54) **FRONT FACE OF A VEHICLE WHEEL**

(71) Applicant: **Wheel Pros, LLC**, Greenwood Village,  
CO (US)

(72) Inventor: **Arthur D. Hale, Jr.**, Compton, CA  
(US)

(\*\*) Term: **15 Years**

(21) Appl. No.: **29/741,127**

(22) Filed: **Jul. 9, 2020**

(51) **LOC (13) Cl.** ..... **12-16**

(52) **U.S. Cl.**  
USPC ..... **D12/211**

(58) **Field of Classification Search**  
USPC ..... D12/204–213; D21/563  
CPC .... B60B 7/00; B60B 7/02; B60B 7/04; B60B  
7/01; B60B 7/06; B60B 3/02; B60B 3/04;  
B60B 3/06; B60B 3/10; B60B 1/00;  
B60B 1/08; B60B 1/10; B60B 1/12  
See application file for complete search history.

(56) **References Cited**

**U.S. PATENT DOCUMENTS**

D459,690 S *	7/2002	Bintoro	.....	D12/211
D462,309 S *	9/2002	Hieke	.....	D12/211
D466,066 S *	11/2002	Bintoro	.....	D12/211
D487,242 S *	3/2004	Lecher	.....	D12/211
D492,236 S *	6/2004	Brown	.....	D12/211
D500,727 S *	1/2005	Thompson	.....	D12/211
D524,712 S *	7/2006	Pfeiffer	.....	D12/211
D526,261 S *	8/2006	Ohta	.....	D12/209
D535,932 S *	1/2007	Lorinser	.....	D12/209
D540,733 S *	4/2007	Castiglione	.....	D12/211
D553,066 S *	10/2007	Young	.....	D12/209

D597,013 S *	7/2009	Chung	.....	D12/211
D714,705 S *	10/2014	Kong	.....	D12/211
D716,712 S *	11/2014	Lemke	.....	D12/211
D741,241 S *	10/2015	Hale, Jr.	.....	D12/211
D742,799 S *	11/2015	Zhao	.....	D12/211
D779,408 S *	2/2017	Chung	.....	D12/211
D785,536 S *	5/2017	Liffick	.....	D12/211
D792,829 S *	7/2017	Kim	.....	D12/211
D811,304 S *	2/2018	Chung	.....	D12/209
D830,273 S *	10/2018	Aslam	.....	D12/211
D842,195 S *	3/2019	Han	.....	D12/209
D847,062 S *	4/2019	Rolfs	.....	D12/209
D859,260 S *	9/2019	Hejtmanek	.....	D12/209
D859,267 S *	9/2019	Valencia Pollex	.....	D12/209
D865,620 S *	11/2019	Han	.....	D12/209
D872,671 S *	1/2020	Patel	.....	D12/209
D883,886 S *	5/2020	Sempek	.....	D12/209
D912,592 S *	3/2021	Henderson	.....	D12/209
D912,593 S *	3/2021	Henderson	.....	D12/209
D913,898 S *	3/2021	Ma	.....	D12/211

\* cited by examiner

*Primary Examiner* — Stacia A Cadmus

(74) *Attorney, Agent, or Firm* — Eric Hanscom

(57) **CLAIM**

The ornamental design for a front face of a vehicle wheel,  
as shown and described.

**DESCRIPTION**

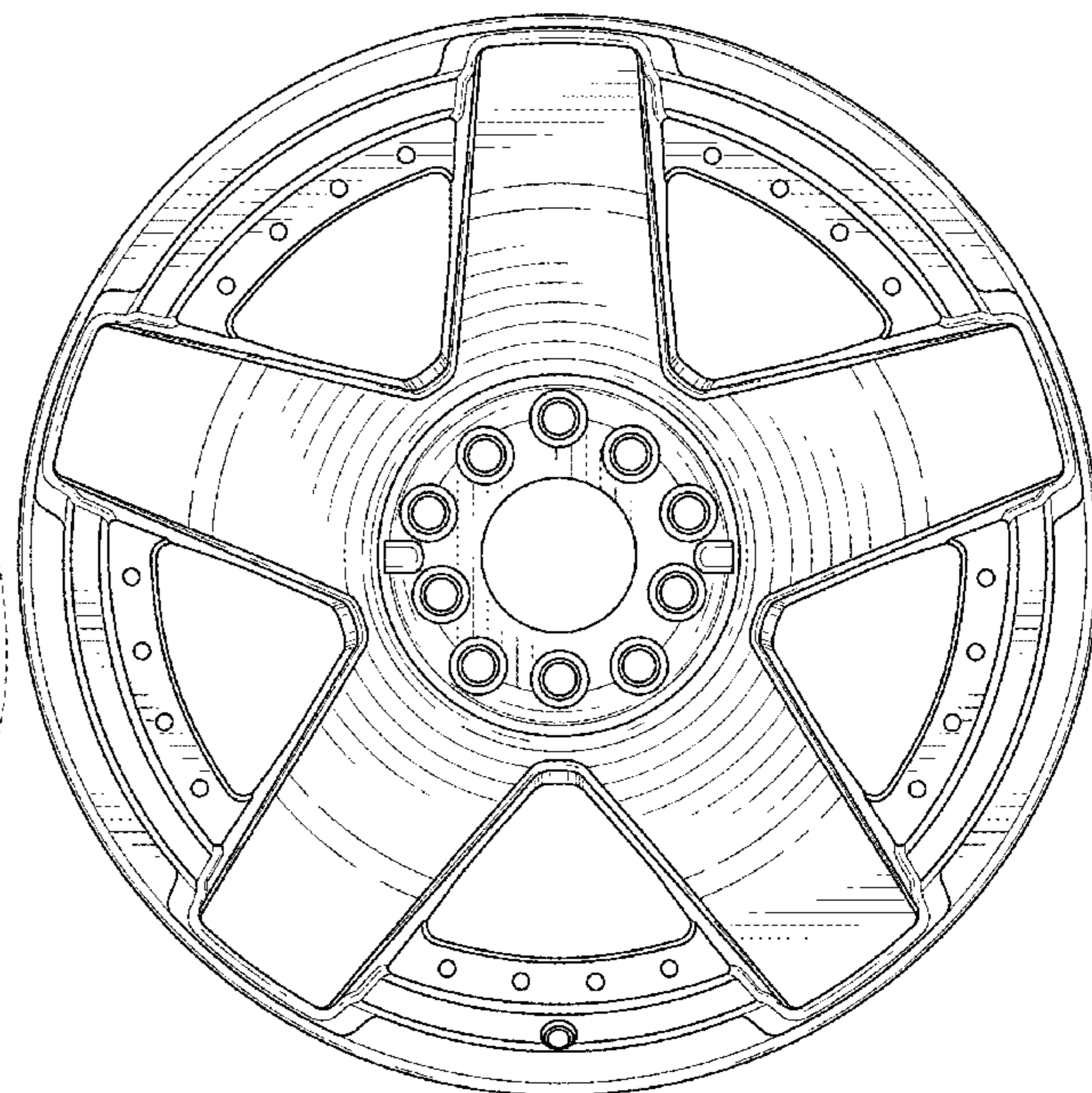
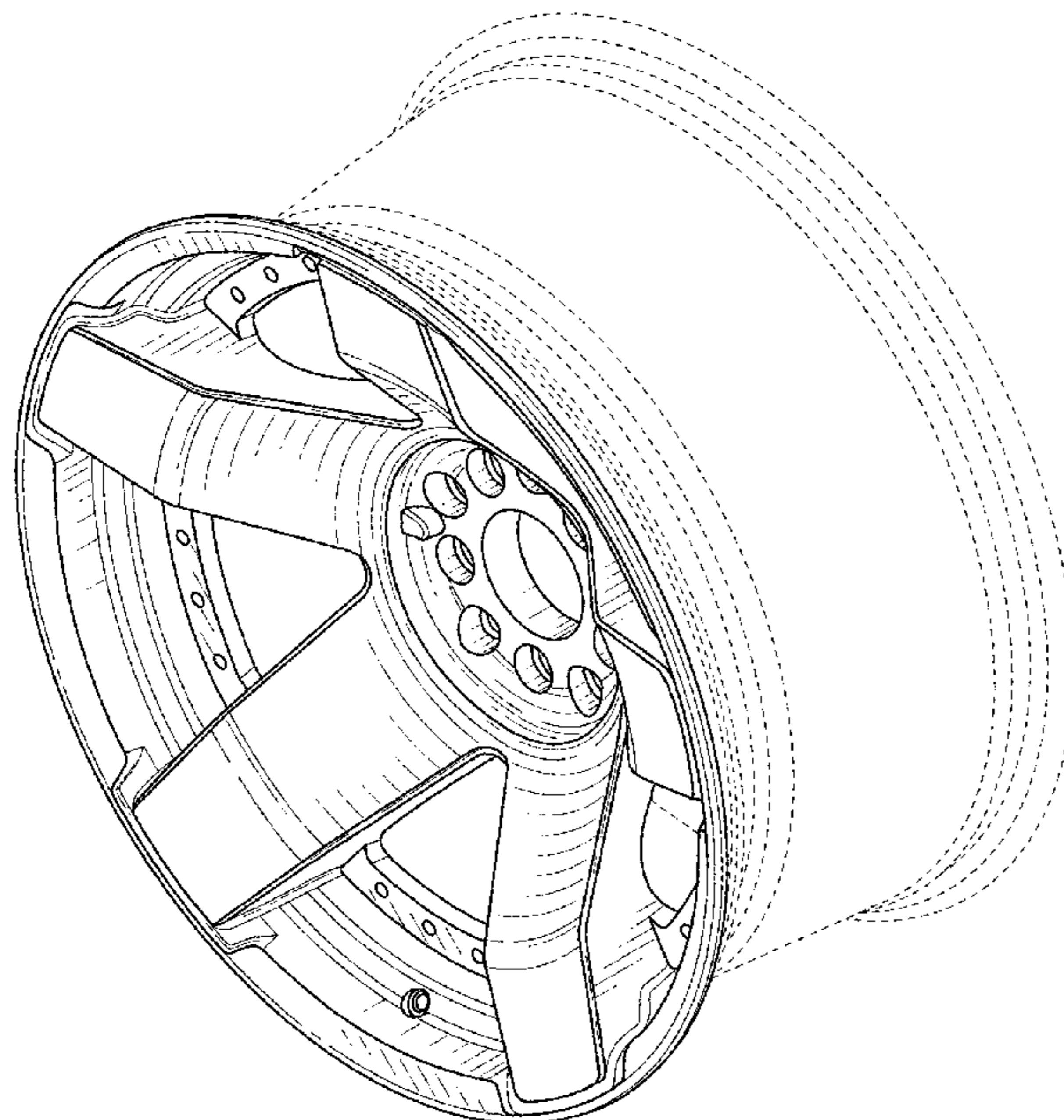
FIG. 1 is a perspective view of a wheel showing my new  
design; and,

FIG. 2 is a front view thereof.

In the drawings, broken lines shown in the drawings depict  
environmental subject matter

In the drawings the broken lines depict portions of the wheel  
that form no part of the claimed design.

**1 Claim, 2 Drawing Sheets**



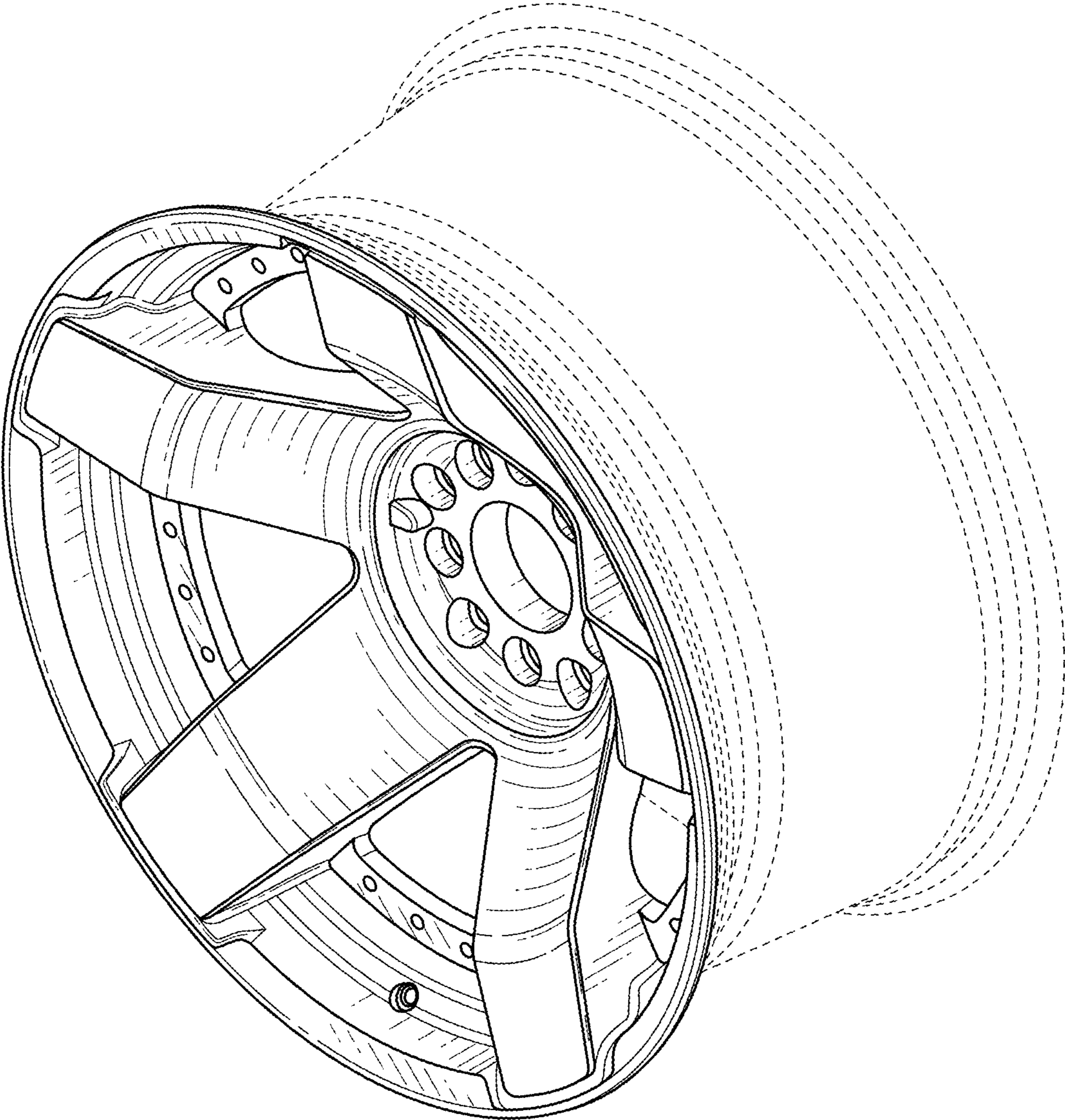


FIG. 1

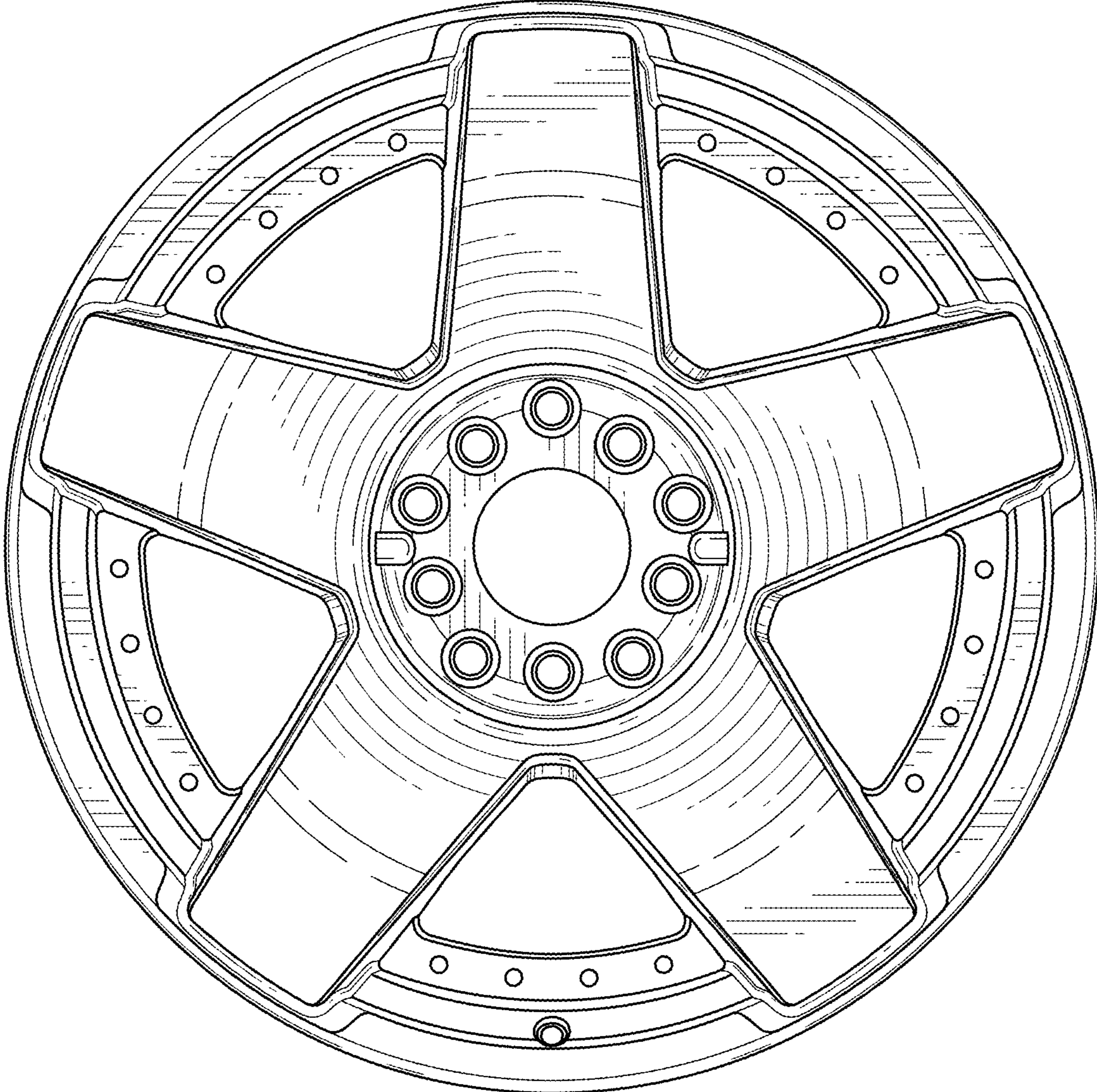


FIG. 2