



US00D926101S

(12) **United States Design Patent**
Mukti

(10) **Patent No.:** **US D926,101 S**

(45) **Date of Patent:** **** Jul. 27, 2021**

(54) **VEHICLE WHEEL**

(71) Applicant: **Quarsa, LLC**, Chino, CA (US)

(72) Inventor: **Ali Mukti**, Surabaya (ID)

(73) Assignee: **Quarsa, LLC**, Chino, CA (US)

(**) Term: **15 Years**

(21) Appl. No.: **29/711,210**

(22) Filed: **Oct. 29, 2019**

(51) **LOC (13) Cl.** **12-16**

(52) **U.S. Cl.**
USPC **D12/211**

(58) **Field of Classification Search**
USPC D12/204–213; D21/563
CPC B60B 7/00; B60B 7/02; B60B 7/04; B60B
7/01; B60B 7/06; B60B 3/02; B60B 3/04;
B60B 3/06; B60B 3/10; B60B 1/00;
B60B 1/08; B60B 1/10; B60B 1/12
See application file for complete search history.

(56) **References Cited**

U.S. PATENT DOCUMENTS

D464,009 S *	10/2002	Laengerer	D12/211
D694,695 S *	12/2013	Kern	D12/211
D697,014 S *	1/2014	Stolz	D12/211
D706,693 S *	6/2014	Stolz	D12/209
D720,273 S *	12/2014	Hilpert	D12/211
D726,090 S *	4/2015	Hilpert	D12/211
D731,945 S *	6/2015	Kern	D12/211
D732,452 S *	6/2015	Chung	D12/211

D778,800 S *	2/2017	Chung	D12/211
D781,204 S *	3/2017	Peat	D12/211
D782,954 S *	4/2017	Liffick	D12/211
D788,009 S *	5/2017	Zhao	D12/211
D794,531 S *	8/2017	Zhao	D12/211
D829,153 S *	9/2018	Han	D12/209
D832,178 S *	10/2018	Hodges	D12/211
D842,193 S *	3/2019	Han	D12/209
D845,205 S *	4/2019	Chu	D12/211
D847,076 S *	4/2019	Peat	D12/211
D864,835 S *	10/2019	Chen	D12/211
D866,443 S *	11/2019	Peat	D12/211
D894,812 S *	9/2020	Sempek	D12/211
D897,256 S *	9/2020	Han	D12/209
D899,999 S *	10/2020	Kong	D12/209
D908,584 S *	1/2021	Mukti	D12/211
D914,573 S *	3/2021	Kirst	D12/209
D920,206 S *	5/2021	Johnson	D12/209

* cited by examiner

Primary Examiner — Stacia A Cadmus

(74) *Attorney, Agent, or Firm* — Snell & Wilmer L.L.P.

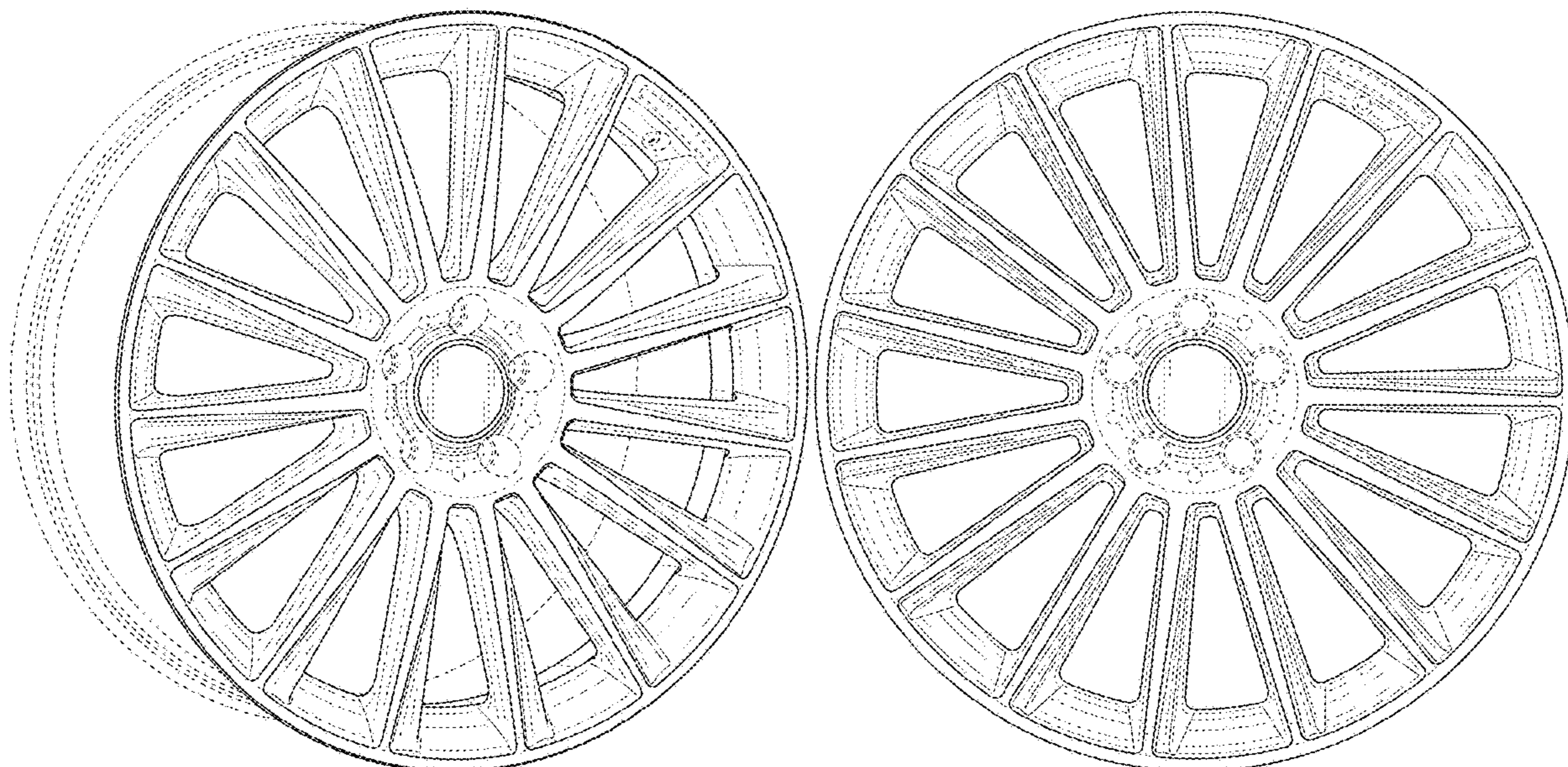
(57) **CLAIM**

I claim the ornamental design for a vehicle wheel, as shown and described.

DESCRIPTION

FIG. 1 is a front perspective view of the vehicle wheel showing my new design; and, FIG. 2 is a front view thereof. In the drawings, the broken lines depict portions of the wheel that form no part of the claimed design.

1 Claim, 2 Drawing Sheets



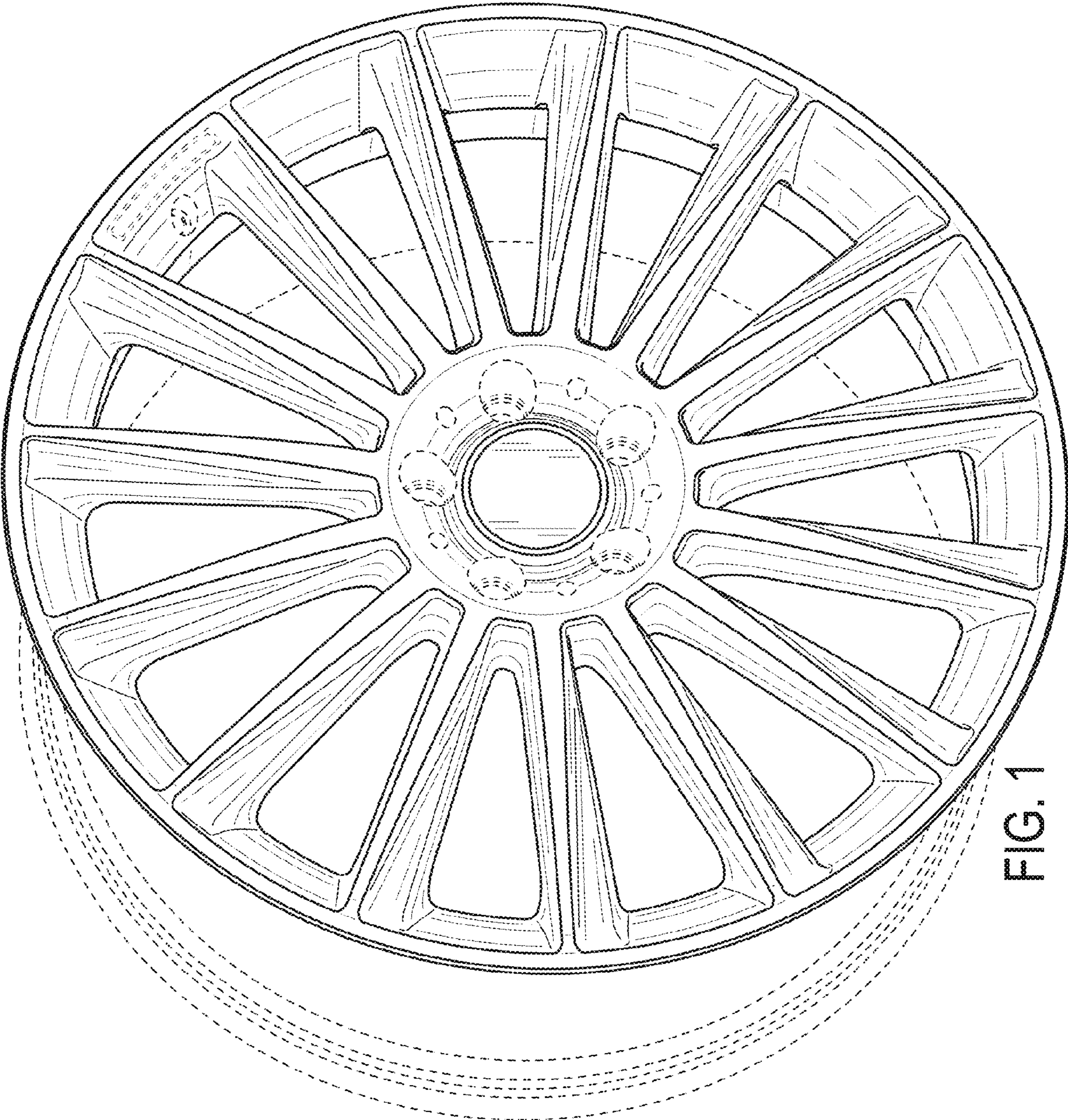


FIG. 1

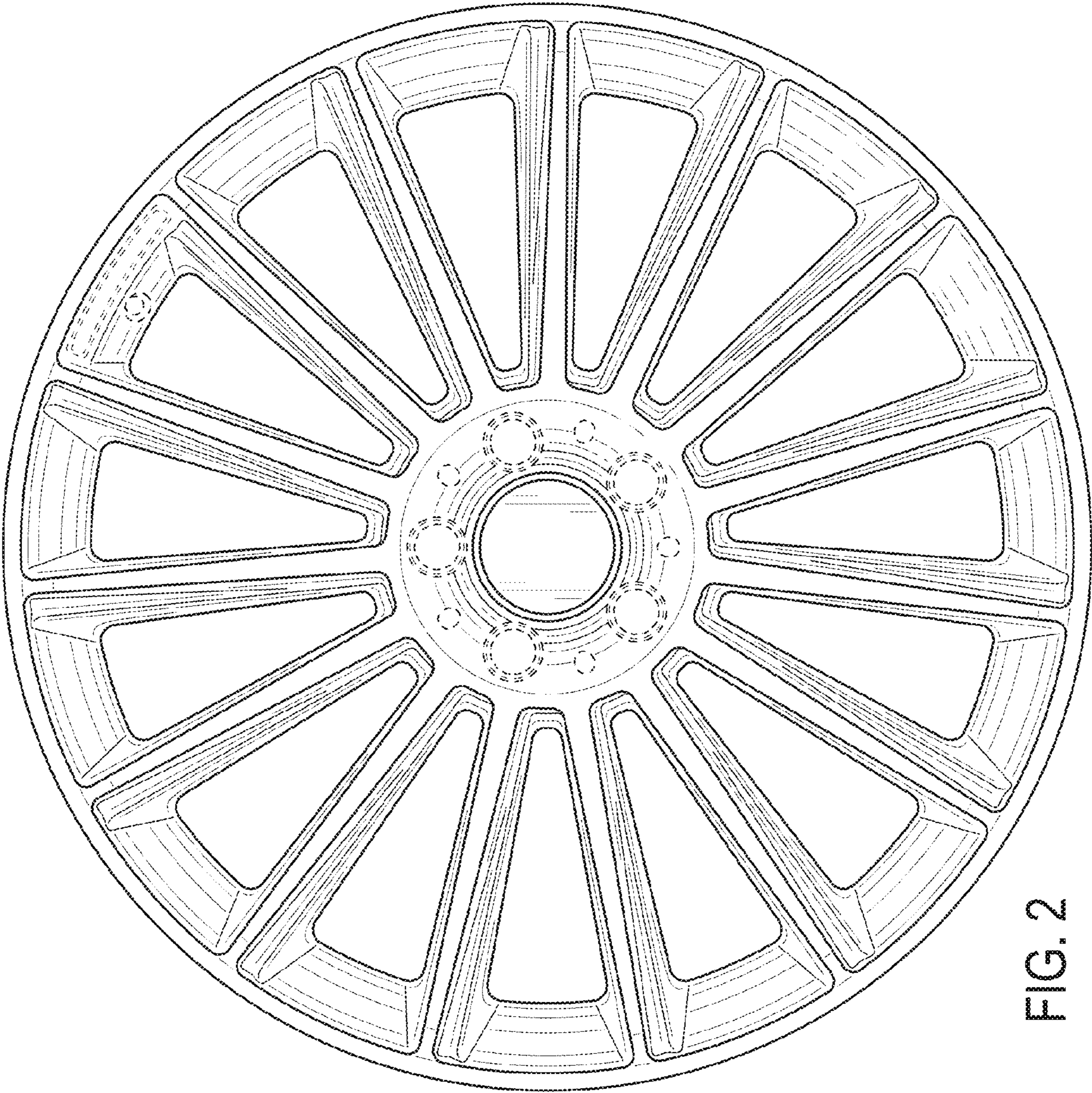


FIG. 2