



US00D926100S

(12) **United States Design Patent**
Lee

(10) **Patent No.:** **US D926,100 S**

(45) **Date of Patent:** **** Jul. 27, 2021**

(54) **AUTOMOTIVE WHEEL**

(71) Applicant: **Angela Lee**, Chicago, IL (US)

(72) Inventor: **Angela Lee**, Chicago, IL (US)

(**) Term: **15 Years**

(21) Appl. No.: **29/700,737**

(22) Filed: **Aug. 5, 2019**

(51) **LOC (13) Cl.** **12-16**

(52) **U.S. Cl.**

USPC **D12/209**

(58) **Field of Classification Search**

USPC D12/204–213; D21/563

CPC B60B 7/00; B60B 7/02; B60B 7/04; B60B

7/01; B60B 7/06; B60B 3/02; B60B 3/04;

B60B 3/06; B60B 3/10; B60B 1/00;

B60B 1/08; B60B 1/10; B60B 1/12

See application file for complete search history.

(56) **References Cited**

U.S. PATENT DOCUMENTS

D541,202 S * 4/2007 Baumgartner D12/211

D784,238 S * 4/2017 Chu D12/211

D795,775 S * 8/2017 Simpson D12/211

D829,629 S * 10/2018 Chung D12/209

D829,630 S * 10/2018 Chung D12/209

D842,188 S * 3/2019 Han D12/209

D848,921 S * 5/2019 Lickliter D12/209

D865,624 S * 11/2019 Han D12/209

D865,626 S * 11/2019 Han D12/209

D870,010 S * 12/2019 Hahn D12/209

D881,100 S * 4/2020 Liu D12/209

D884,531 S * 5/2020 Yokino D10/103

D884,573 S * 5/2020 Kraljevic D12/209

* cited by examiner

Primary Examiner — Stacia A Cadmus

(57) **CLAIM**

I claim the ornamental design for an automotive wheel, as shown and described.

DESCRIPTION

FIG. 1 is a front perspective view of the automotive wheel of the claimed design;

FIG. 2 is a front view of the automotive wheel of FIG. 1;

FIG. 3 is a back view of the automotive wheel of FIG. 1;

FIG. 4 is a top view of the automotive wheel of FIG. 1;

FIG. 5 is a bottom view of the automotive wheel of FIG. 1;

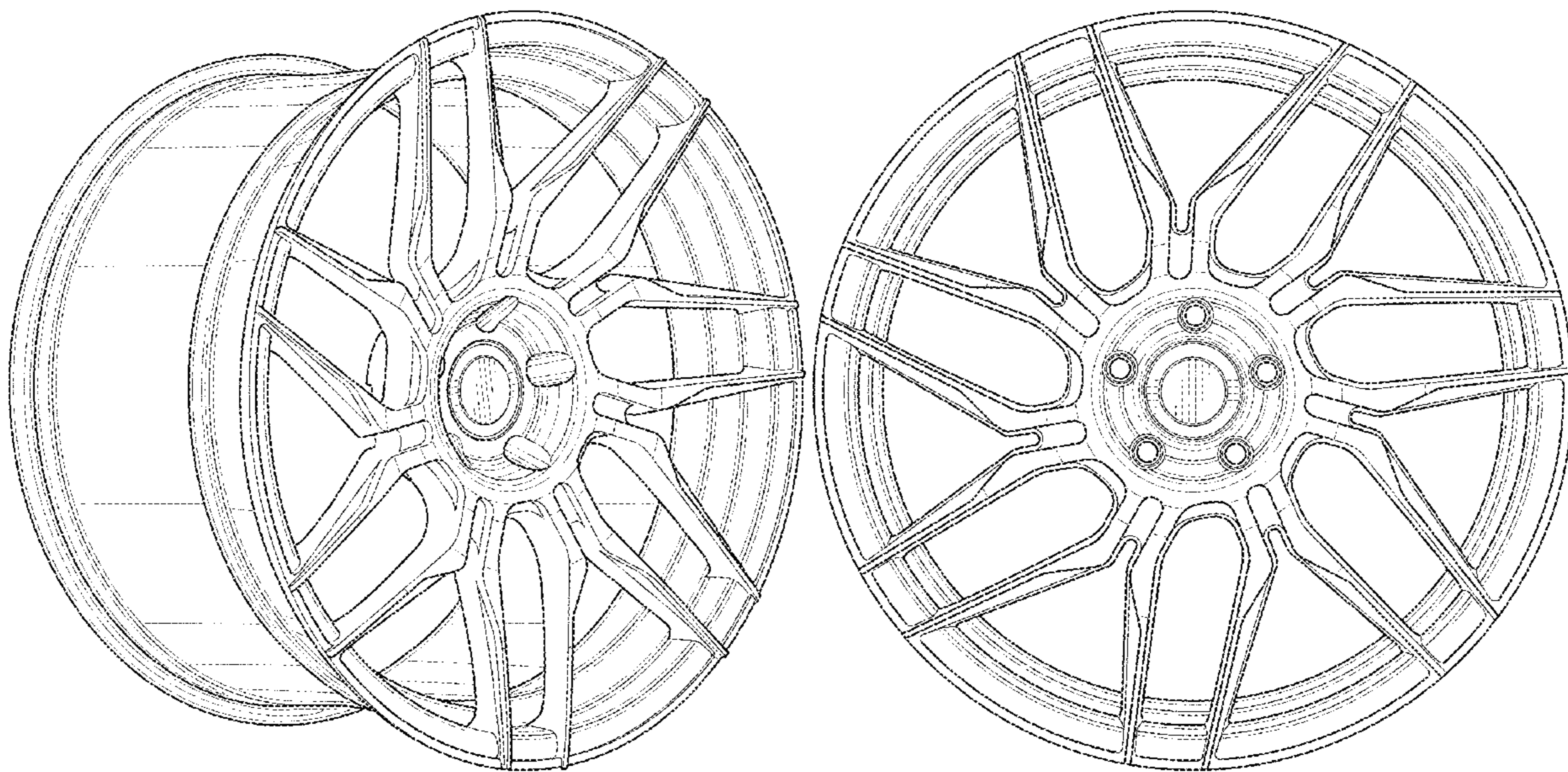
FIG. 6 is a left side view of the automotive wheel of FIG. 1;

and,

FIG. 7 is a right side view of the automotive wheel of FIG. 1.

The broken lines shown in FIG. 3 are for the purpose of illustrating portions of the backside of the automotive wheel and form no part of the claimed design.

1 Claim, 6 Drawing Sheets



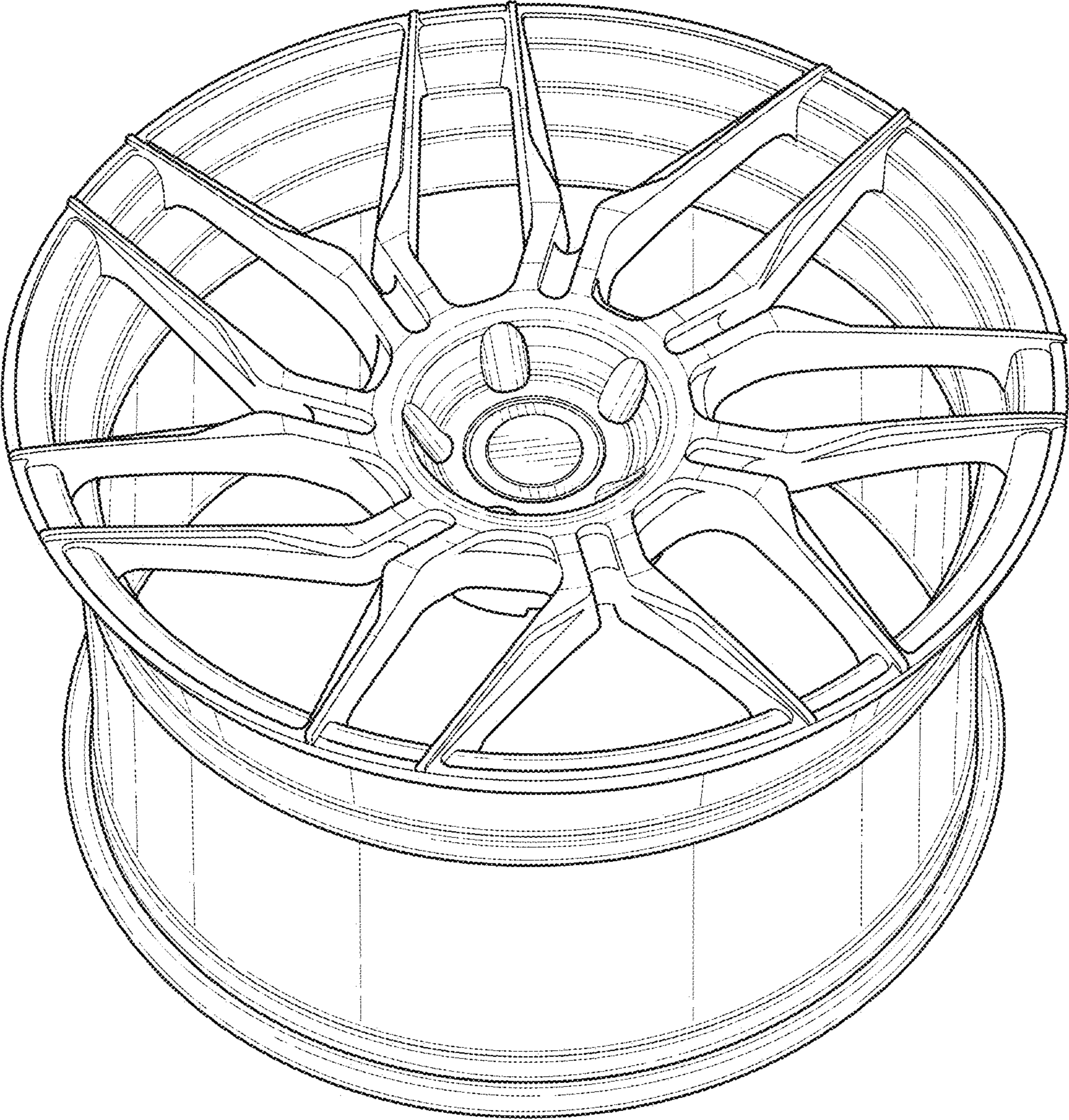


FIG. 1

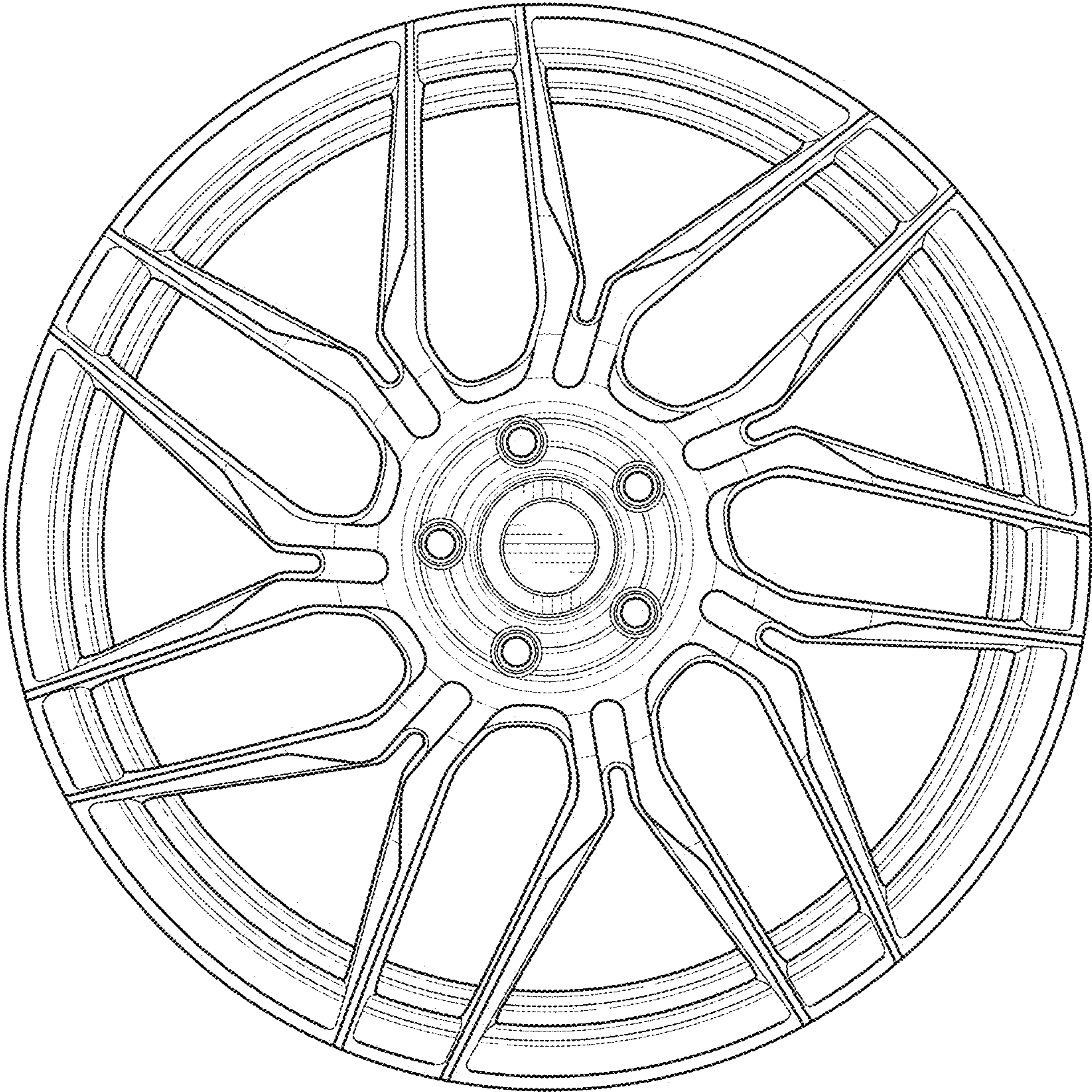


FIG. 2

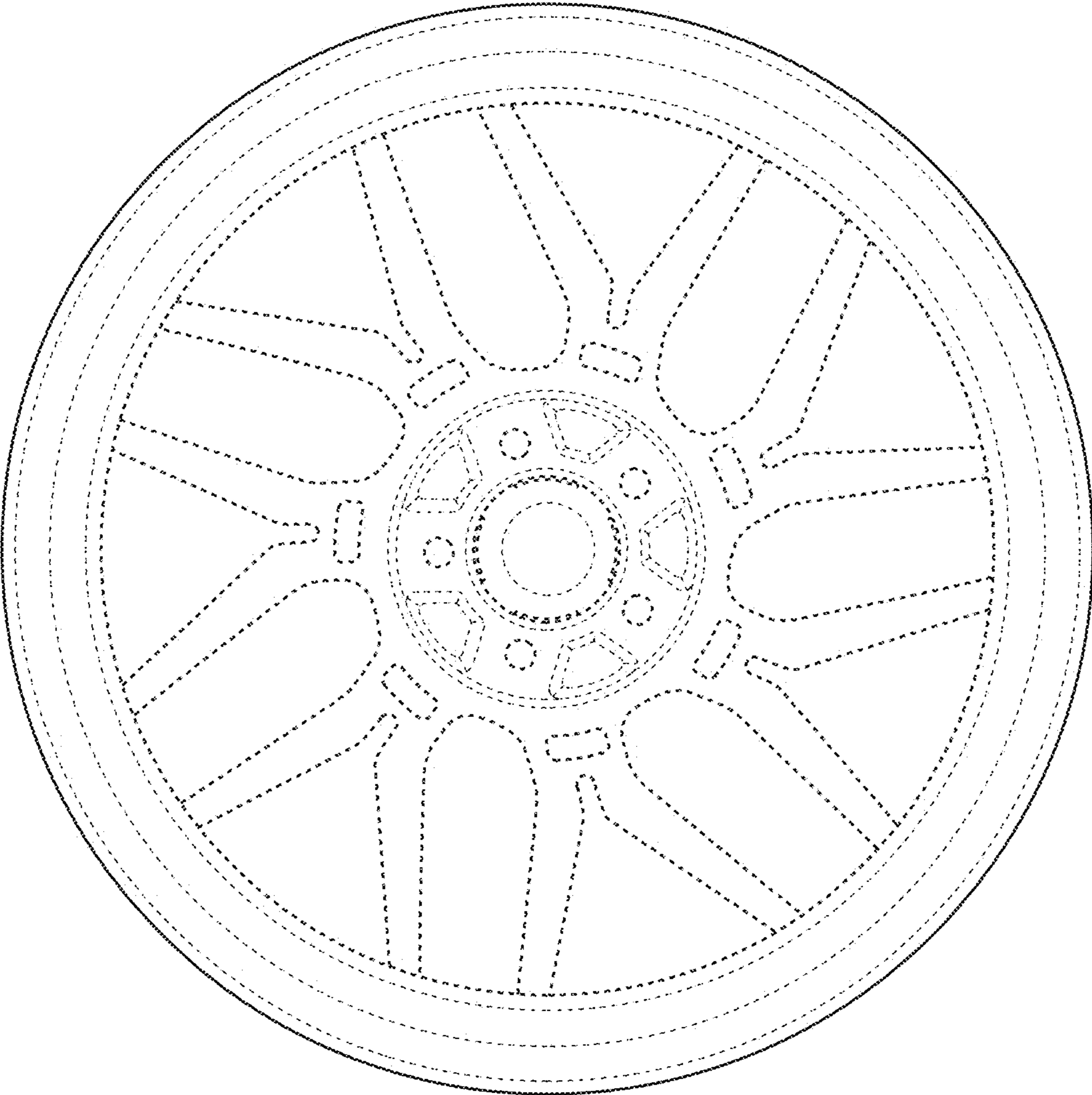


FIG. 3

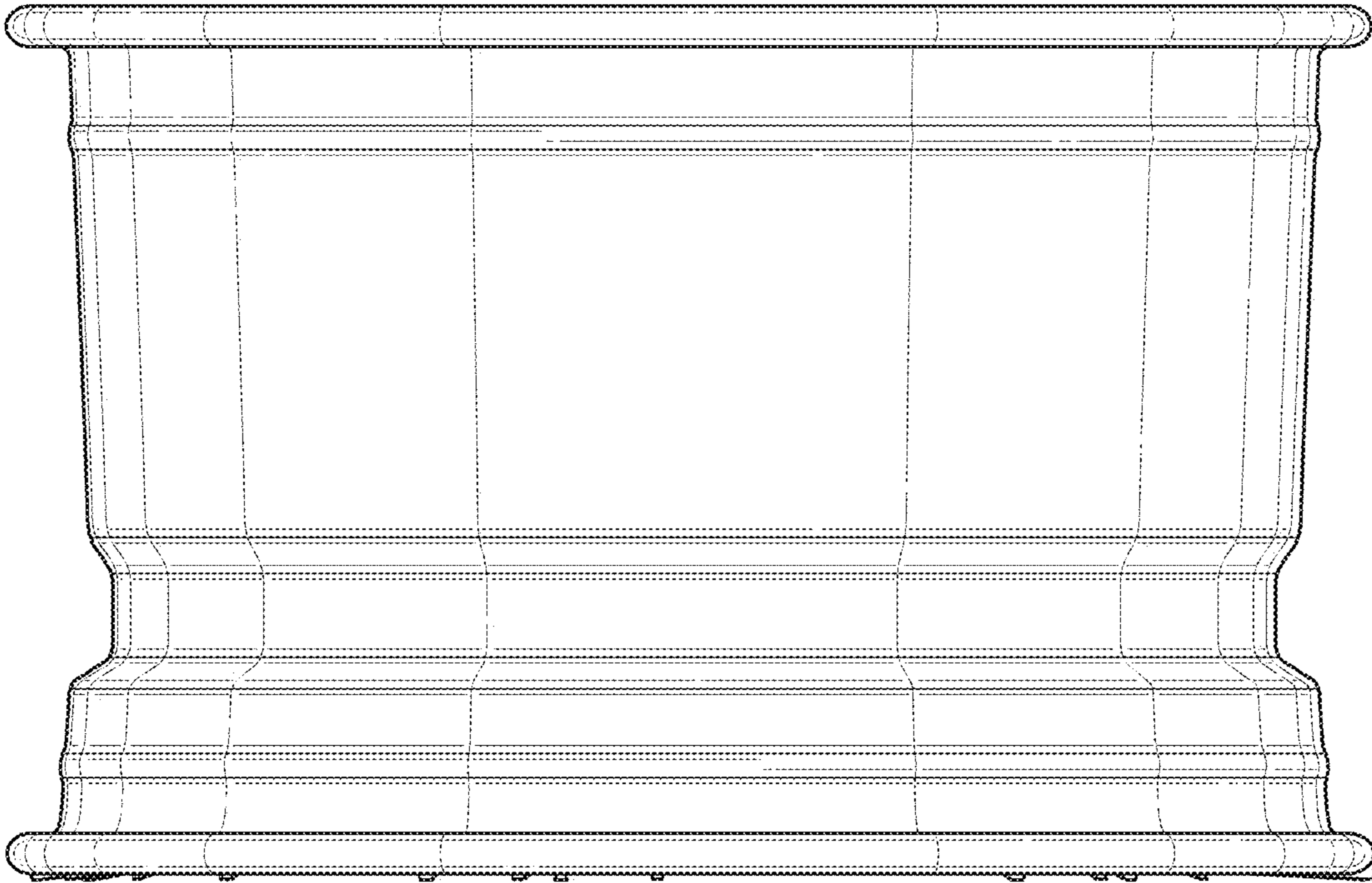


FIG. 5

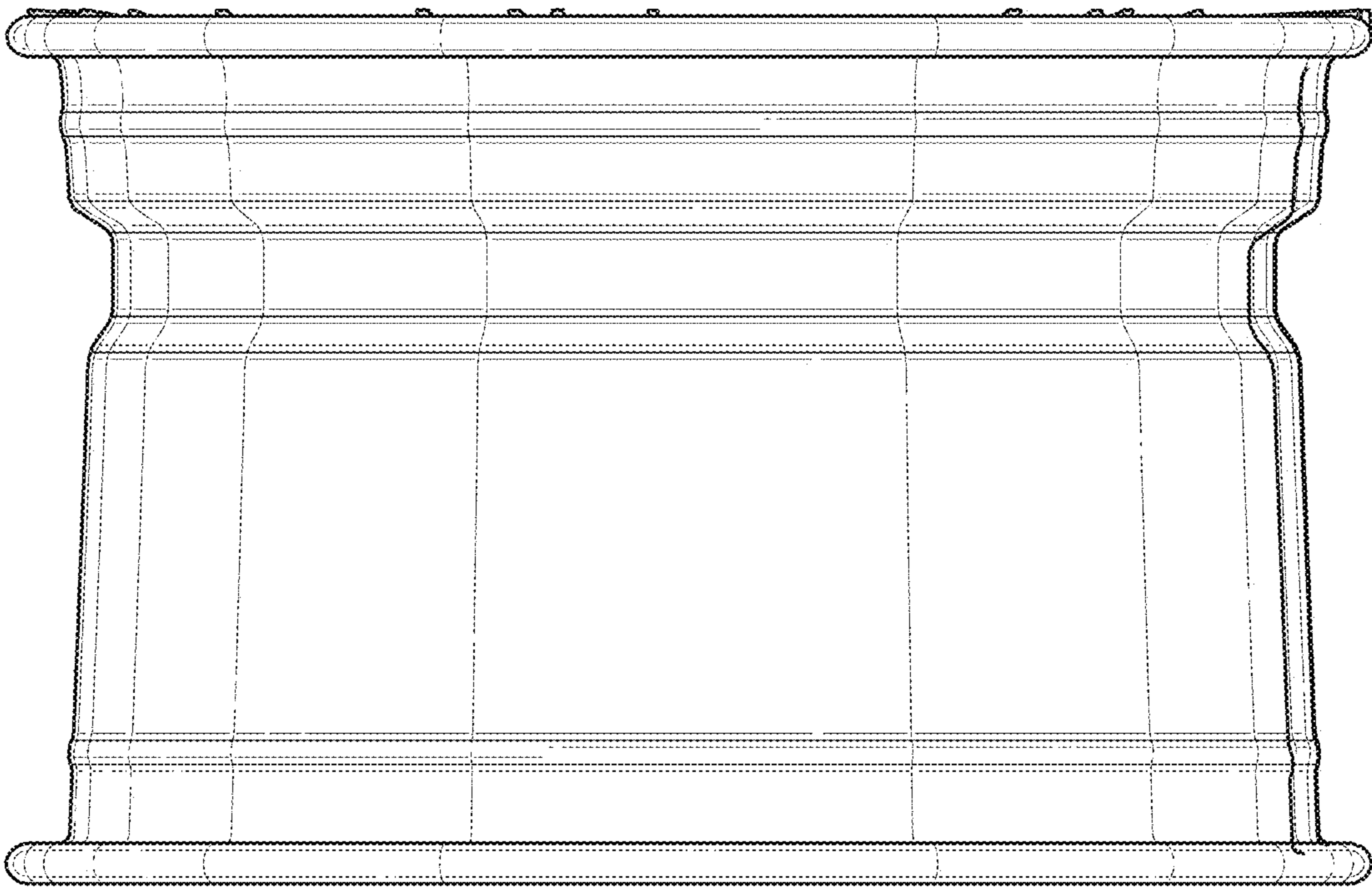


FIG. 4

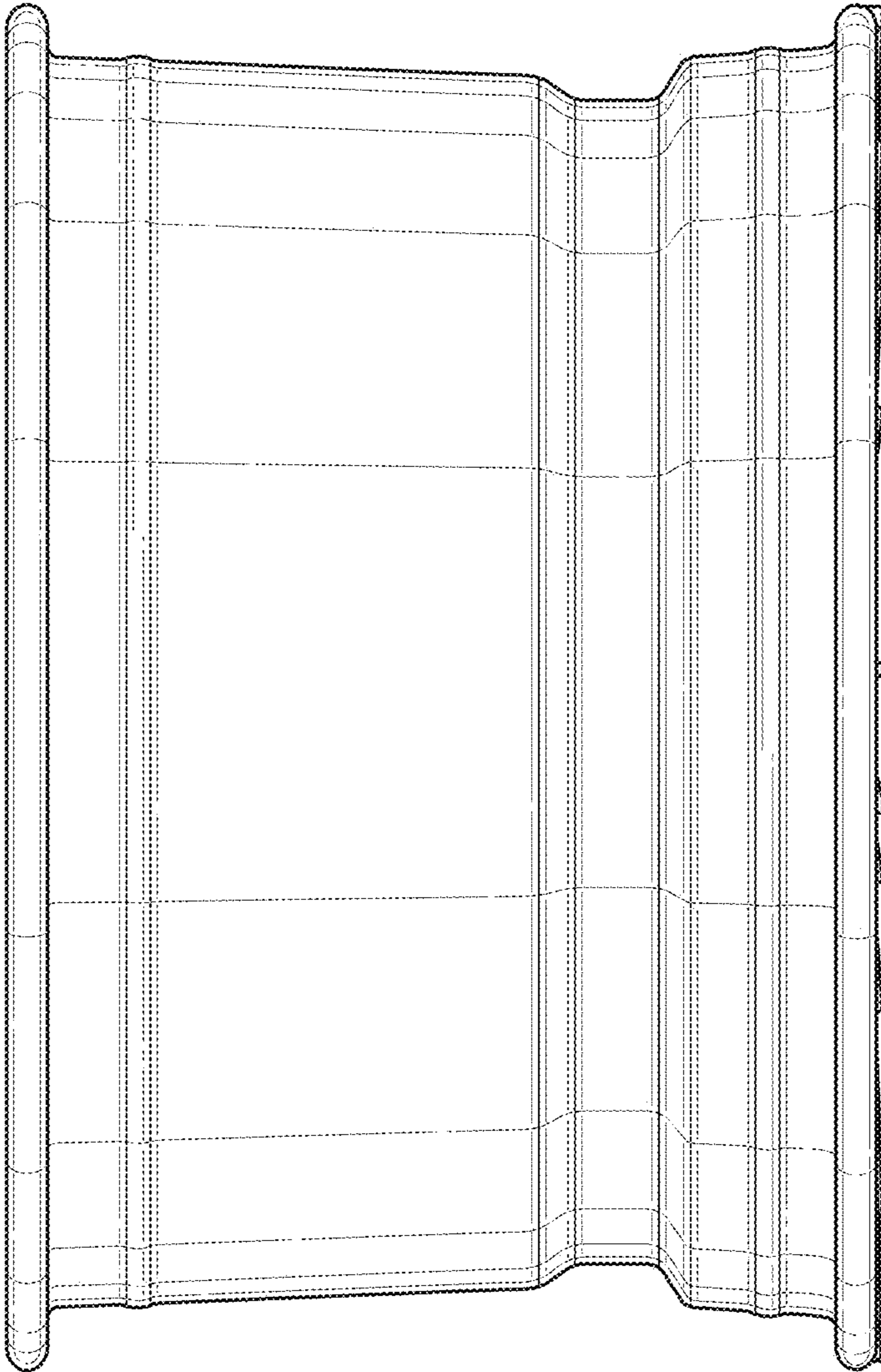


FIG. 6

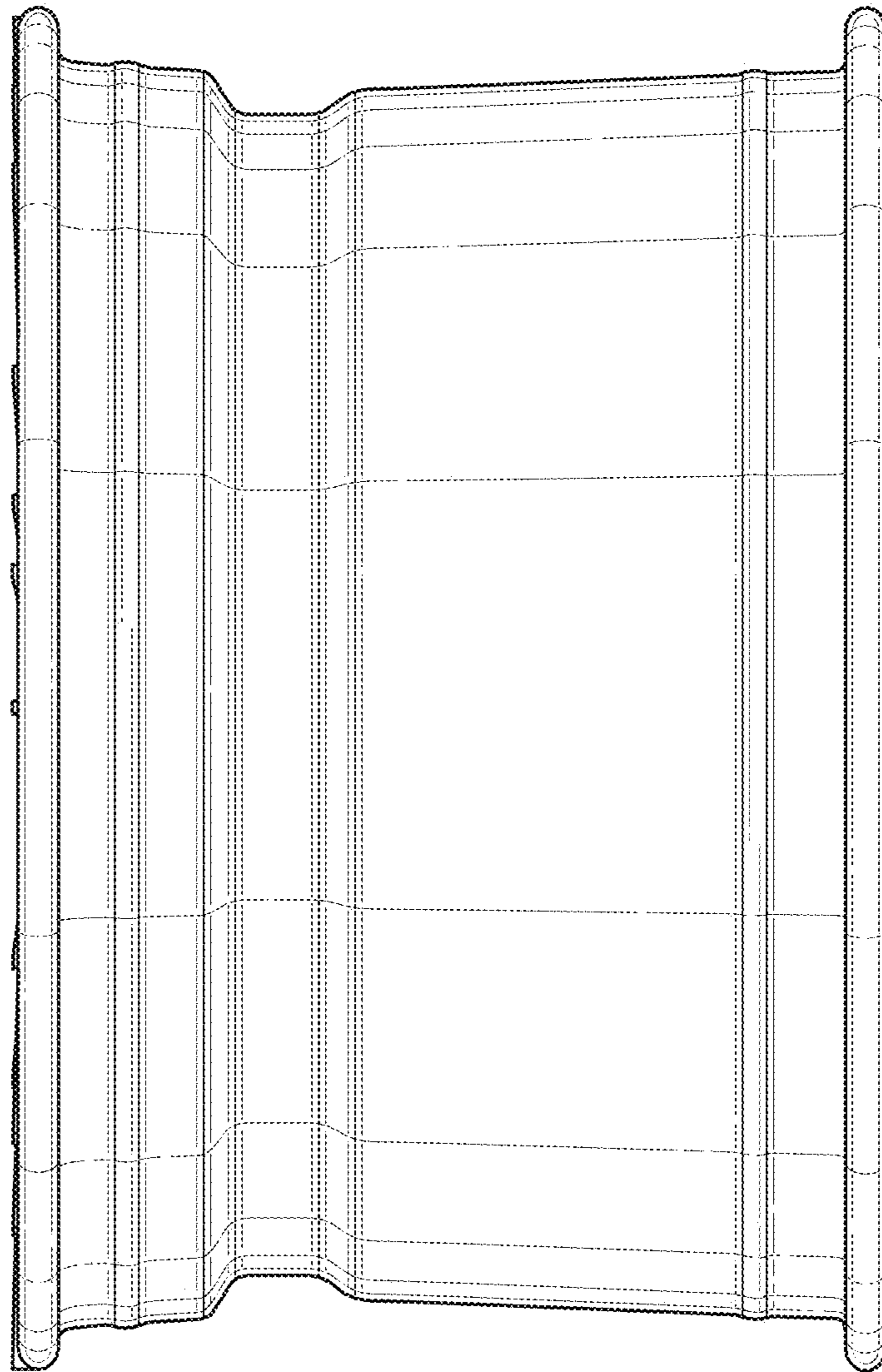


FIG. 7